



US00D923499S

(12) **United States Design Patent**
Lee

(10) **Patent No.: US D923,499 S**
(45) **Date of Patent: ** Jun. 29, 2021**

(54) **ON-BOARD DIAGNOSTIC DEVICE**

FOREIGN PATENT DOCUMENTS

(71) Applicant: **MAKE GREAT SALES LIMITED,**
Wanchai (HK)

CN 306181201 * 5/2020
CN 306260948 * 8/2020

(Continued)

(72) Inventor: **Kin Choi Lee,** Wanchai (HK)

OTHER PUBLICATIONS

(73) Assignee: **MAKE GREAT SALES LIMITED,**
Hong Kong (HK)

ANCELStore, BD200 Car Wireless OBD2, Date first available Aug. 3, 2020, [online]retrieved Feb. 23, 2021,available from https://www.amazon.com/dp/B08DFYMTS6/ref=sspa_dk_detail_1psc=1&pd_rd_i=B08DFYMTS6&pd_rd_w=PYofF&pf_rd_p=14ceaa6a-1e28-4d0f-a10858cc89c508f1&pd_rd_wg=CLX5t&pf_rd_r=PN0GCPRF9C99WR0W8XE7&pd_rd_r= (Year: 2020).*

(Continued)

(**) Term: **15 Years**

(21) Appl. No.: **29/714,023**

(22) Filed: **Nov. 20, 2019**

(51) **LOC (13) Cl.** **10-05**

(52) **U.S. Cl.**
USPC **D10/78; D10/75**

(58) **Field of Classification Search**
USPC D10/46, 61, 70-80, 52, 53, 65, 69;
33/701, 771, 751, 767, 762, 755, 758,
33/761, 700, 285, 703, 756; 324/426,
324/427, 428, 429, 430, 431, 432, 433,
324/434, 435, 436, 437; 701/33.3, 31.4,
701/29.6, 34.4, 32.7, 32.8, 833.2, 31.2,
701/29.1, 99, 101, 102, 115; 702/81;
705/26.9
CPC A63B 67/068; G01B 3/1005; G01B
2003/1012; G01B 3/1003; G01B 3/10;
G01B 3/1007; G01B 2003/1058; G01B
3/1041; G01B 3/1069; G01B 3/102;
G01B

(Continued)

(56) **References Cited**

U.S. PATENT DOCUMENTS

5,334,049 A * 8/1994 Kachlic H01R 12/7029
439/552
D571,241 S * 6/2008 Andreasen D10/78

(Continued)

Primary Examiner — Keli L Hill

Assistant Examiner — Sara S Sahneh

(74) *Attorney, Agent, or Firm* — Onello & Mello, LLP

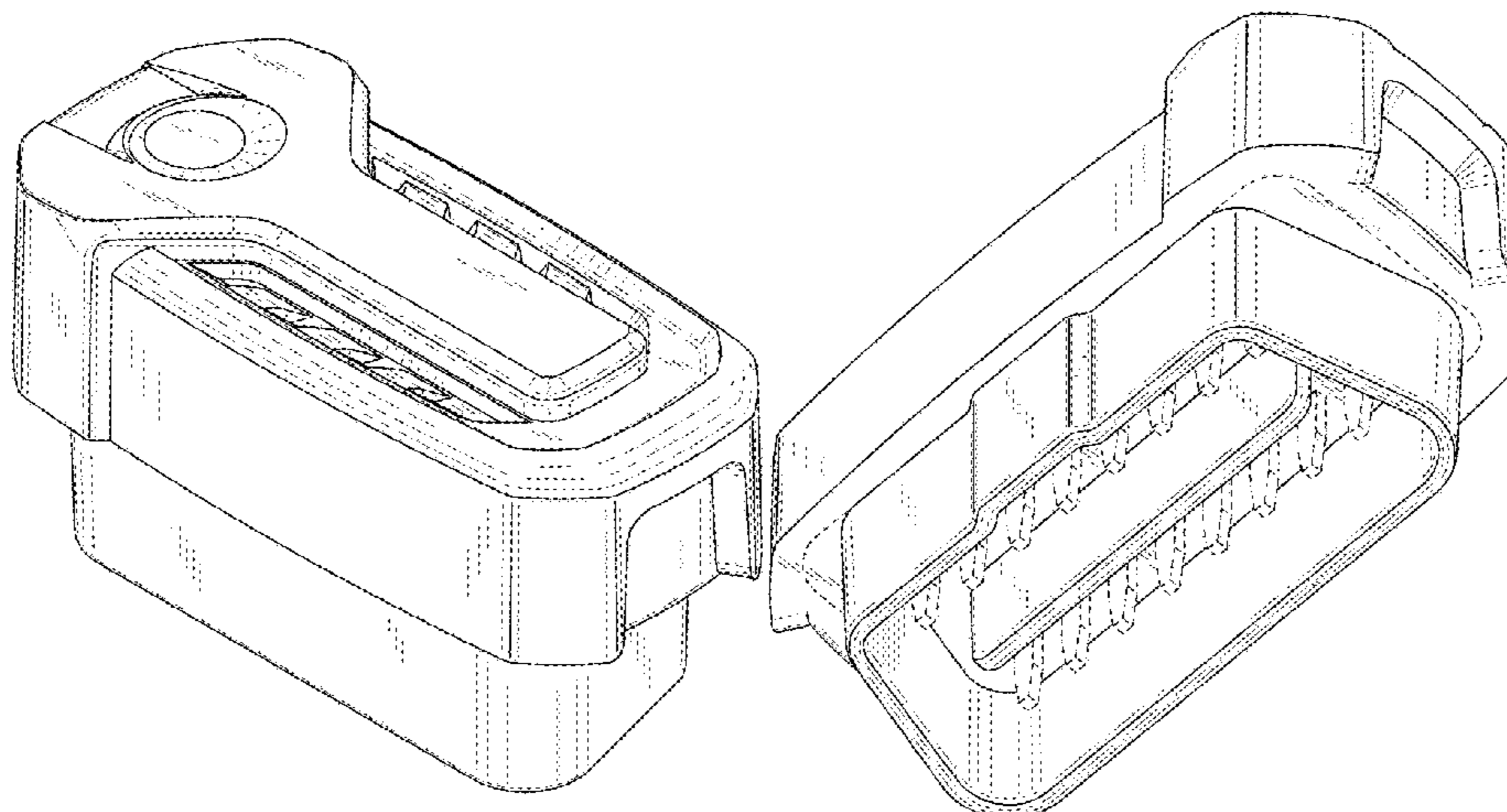
(57) **CLAIM**

The ornamental design for an on-board diagnostic device, as shown and described.

DESCRIPTION

FIG. 1 is a top isometric view of an on-board diagnostic device, in accordance with our design;
FIG. 2 is a bottom isometric view of the on-board diagnostic device of FIG. 1;
FIG. 3 is a right side view of the on-board diagnostic device of FIG. 1;
FIG. 4 is a left side view of the on-board diagnostic device of FIG. 1;
FIG. 5 is a front view of the on-board diagnostic device of FIG. 1;
FIG. 6 is a rear view of the on-board diagnostic device of FIG. 1;
FIG. 7 is a top view of the on-board diagnostic device of FIG. 1; and,
FIG. 8 is a bottom view of the on-board diagnostic device of FIG. 1.

(Continued)



The broken lines shown are included for the purpose of illustrating porting of the on-board diagnostic device that form no part of the claimed design.

1 Claim, 7 Drawing Sheets

(58) Field of Classification Search

CPC 1/00; G01B 2003/1097; G01B 3/11; G01B 3/1061; G01B 2003/1069; G01B 11/26; G01R 22/065; G01R 11/00; G01R 11/04; G01R 13/02; G01R 1/025; G01R 15/125; G01R 1/04; G01R 31/007; G01R 31/3648; G01R 31/3693; G01R 31/3627; H04Q 9/00; G08B 3/00; G01D 18/008; G01D 5/00; G01K 15/005; H04L 67/303; H04L 67/12; G05B 19/0426; G05B 2219/25428; G08C 17/02; H04B 10/114; H04B 10/11; G01C 15/004; G01C 15/00; G01C 15/002; G01C 15/06; G02B 7/001; Y10T 29/49826; G01M 15/102; G01M 17/00; G07C 5/0808; G07C 2205/02; G07C 5/02; G06F 1/166; G06F 1/1656; G06F 1/1626; G06F 1/1609; G06F 1/637; G06F 3/03547; H01R 13/7175; H01R 13/629; H01R 13/7172; H01R 13/6691; H01R 13/6275; H01R 13/639; H01R 2201/26; H01R 12/57; F02D 15/00; H05K 5/0247; H05K 1/181; H05K 2201/10545

See application file for complete search history.

(56) References Cited

U.S. PATENT DOCUMENTS

D724,977 S * 3/2015 Browning D10/80
9,419,392 B2 * 8/2016 Kirkpatrick H01R 13/6683

D785,570 S * 5/2017 Fischer D13/138.1
D826,864 S * 8/2018 Hoffart D13/147
D865,639 S * 11/2019 Adams, III D12/400
D908,090 S * 1/2021 Link D13/133
2015/0081163 A1 * 3/2015 Molenkamp G07C 5/00
701/33.2
2016/0172787 A1 * 6/2016 Bermel H01R 13/629
439/374
2016/0226189 A1 * 8/2016 Simonazzi H01R 13/6275
2017/0229812 A1 * 8/2017 Ehrman H01R 13/62938
2020/0295481 A1 * 9/2020 Diaconu H05K 5/0069

FOREIGN PATENT DOCUMENTS

EM 007914676-0001 * 5/2020
EM 008191548-0001 * 9/2020
EM 008415228-0002 * 1/2021
EM 008415228-0003 * 1/2021

OTHER PUBLICATIONS

Vgate Store, iCar Pro BLE 4.0 OBD2, Date first available Apr. 12, 2017, [online]retrieved Feb. 23, 2021,available from https://www.amazon.com/vgate-BLEiPhoneiPadAndroid/dp/B071D8SYXN/ref=sr_1_5dchild=1&keywords=vgate&qid=1614127070&sr=8-5 (Year: 2017).*

OBLink Store, MX+ OBD2, Date first available Nov. 3, 2018, [online]retrieved Feb. 23, 2021,available from https://www.amazon.com/OBLink-Bluetooth-Professional-Grade-Diagnostic-Performance/dp/B07JFRFJG6/ref=sr_1_2?dchild=1&keywords=obdlink+mx&qid=1614125555&sr=8-2 (Year: 2018).*

Bafx Products,Wireless Bluetooth Obd2, Date first available Nov. 17, 2021, [online]retrieved Feb. 23, 2021,available from https://www.amazon.com/BAFX-Products-Wireless-Bluetooth-Diagnostic/dp/B005NLQAHS/ref=sr_1_1_sspa?crd=Q9HDCQEIBUY8&dchild=1&keywords=bafx+obd2&qid=1614125657&srefix=BAF%2Caps%2C176&sr=8 (Year: 2021).*

* cited by examiner

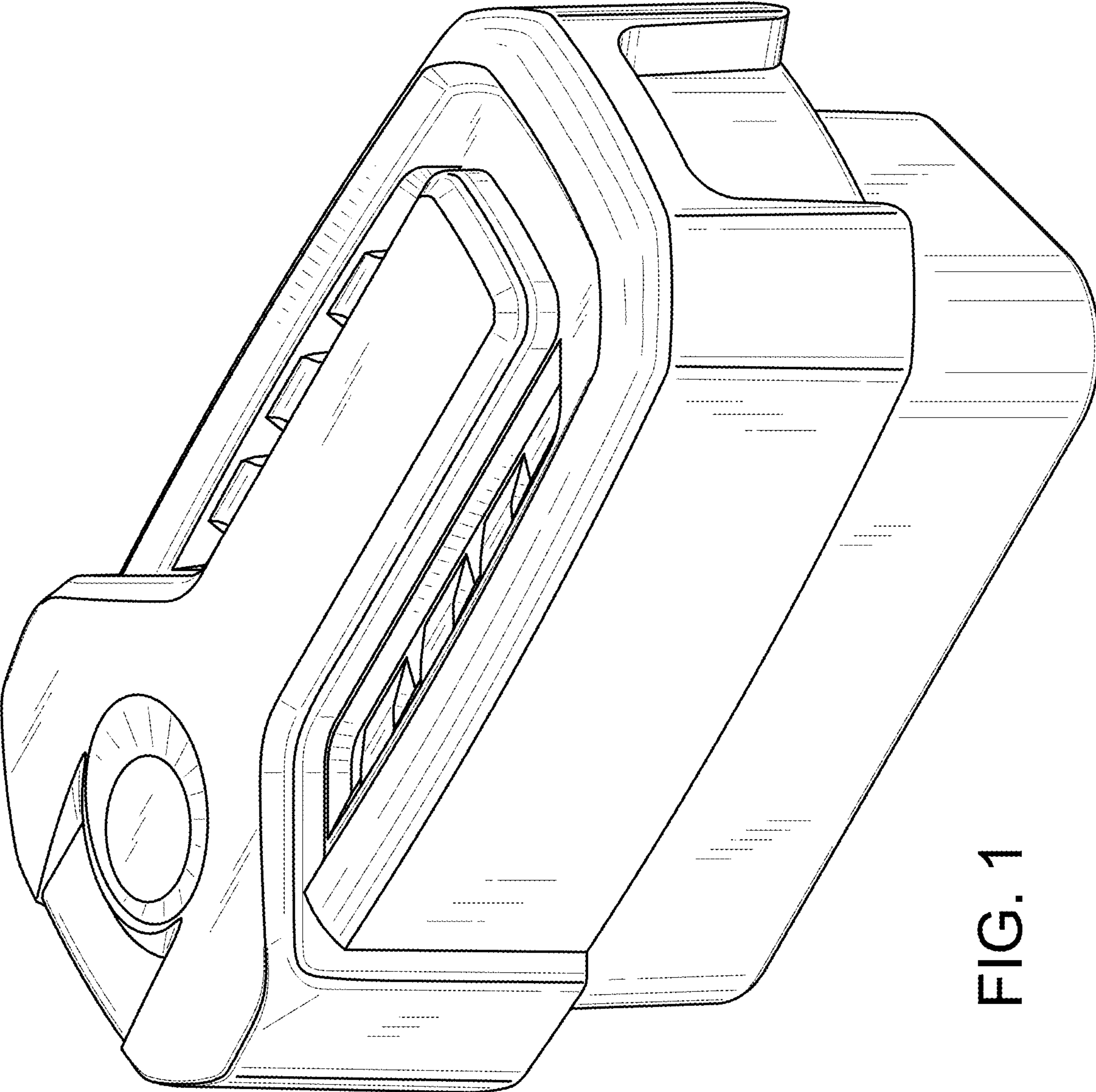


FIG. 1

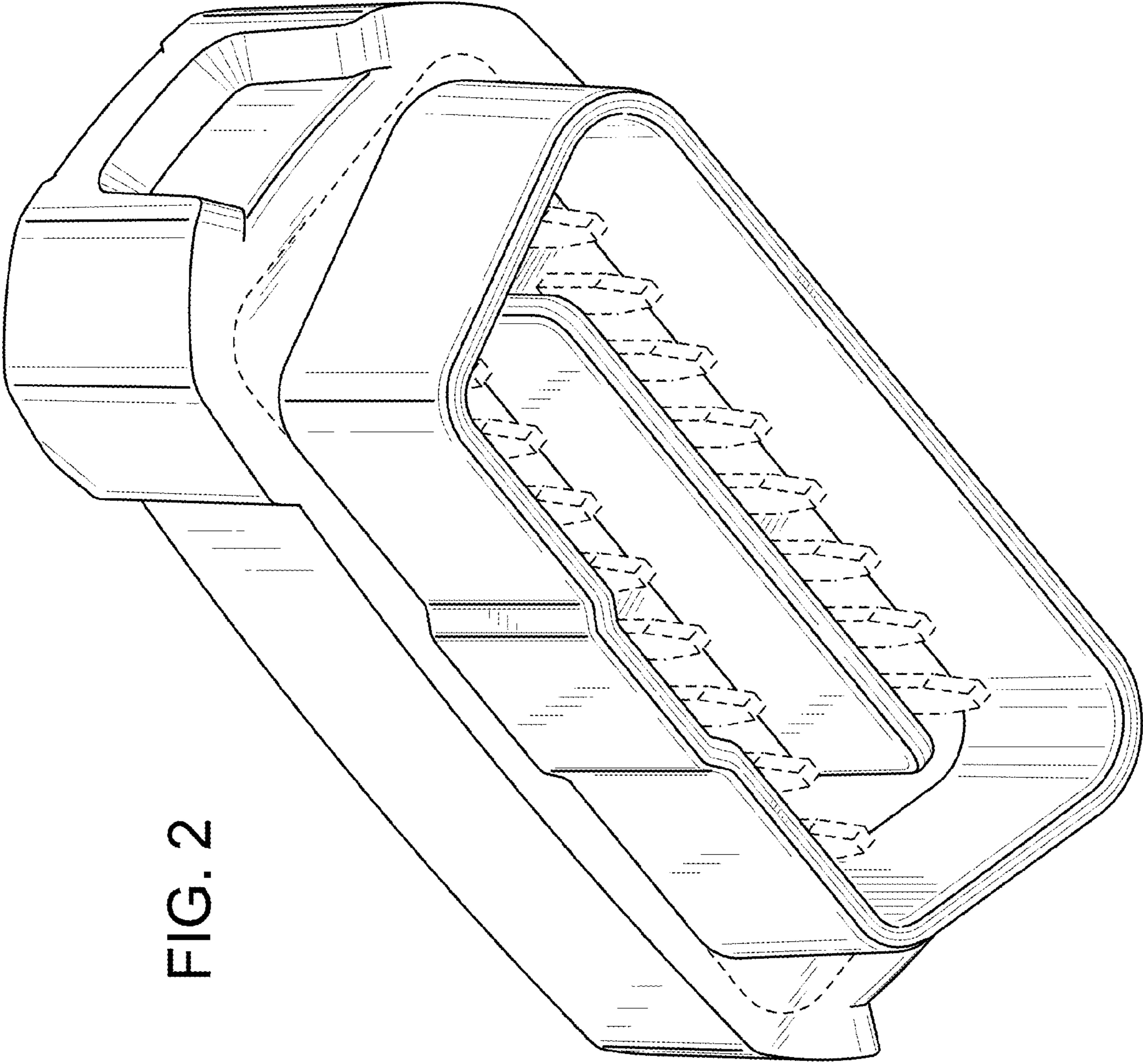


FIG. 2

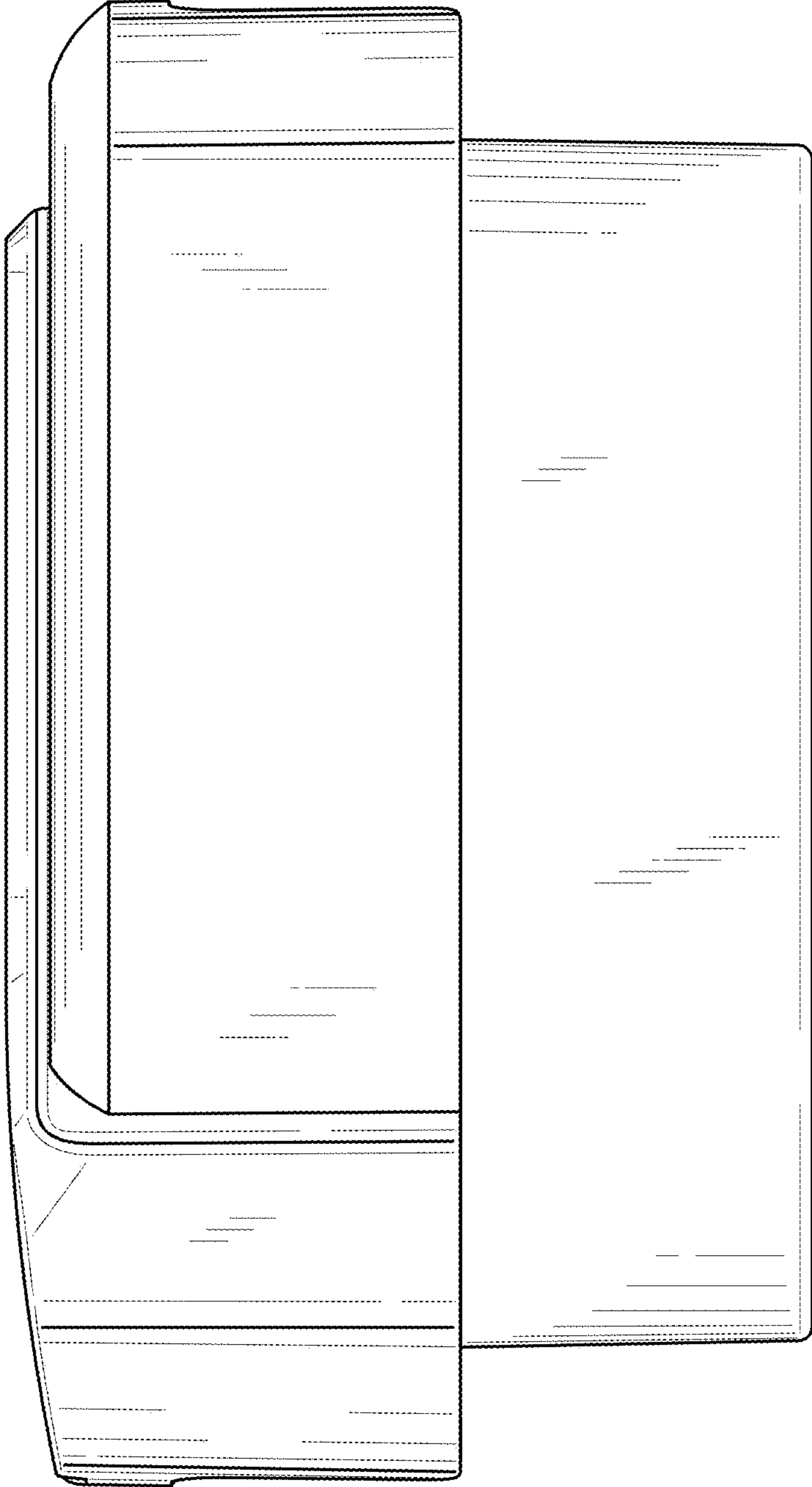


FIG. 3

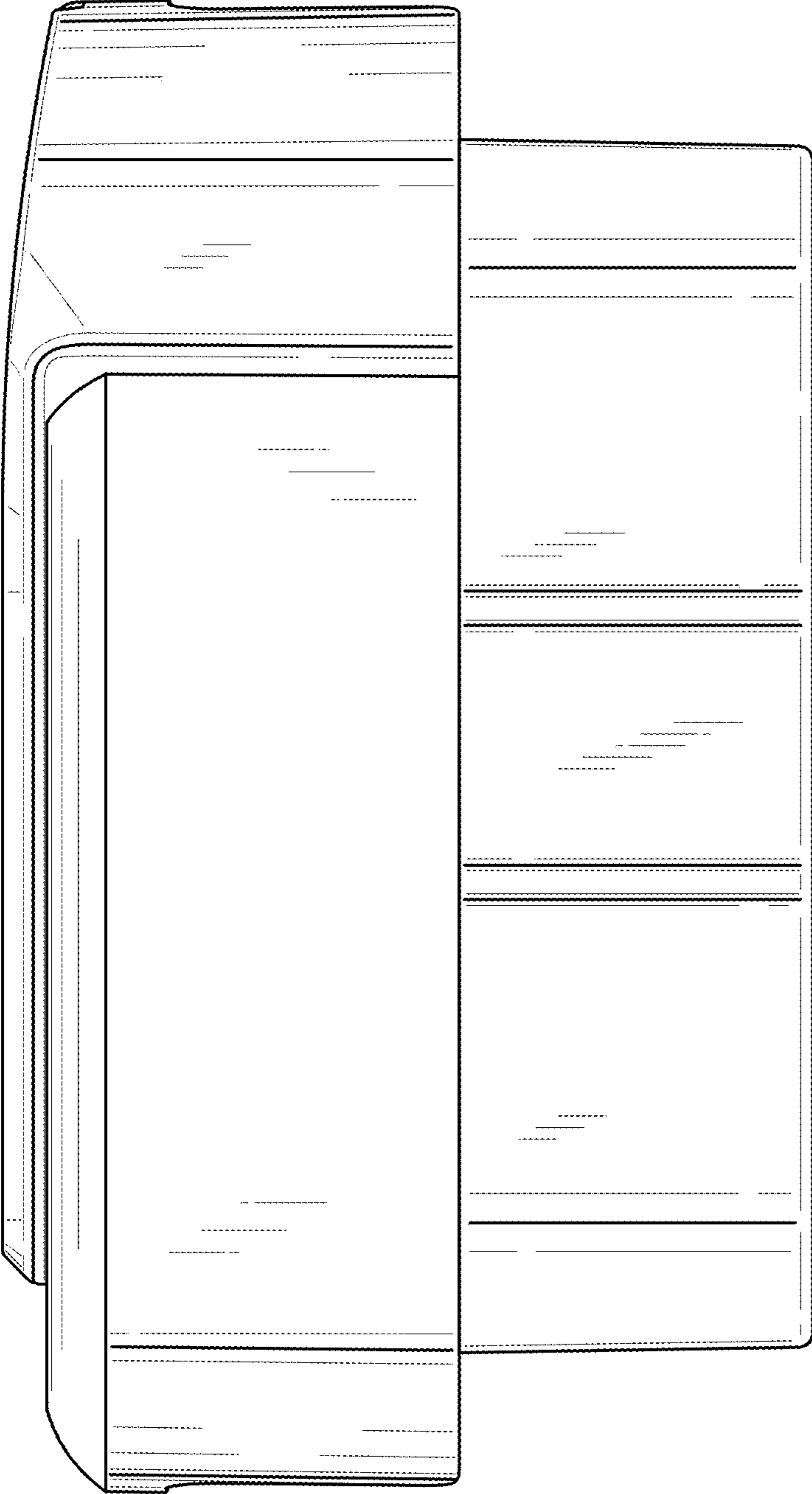


FIG. 4

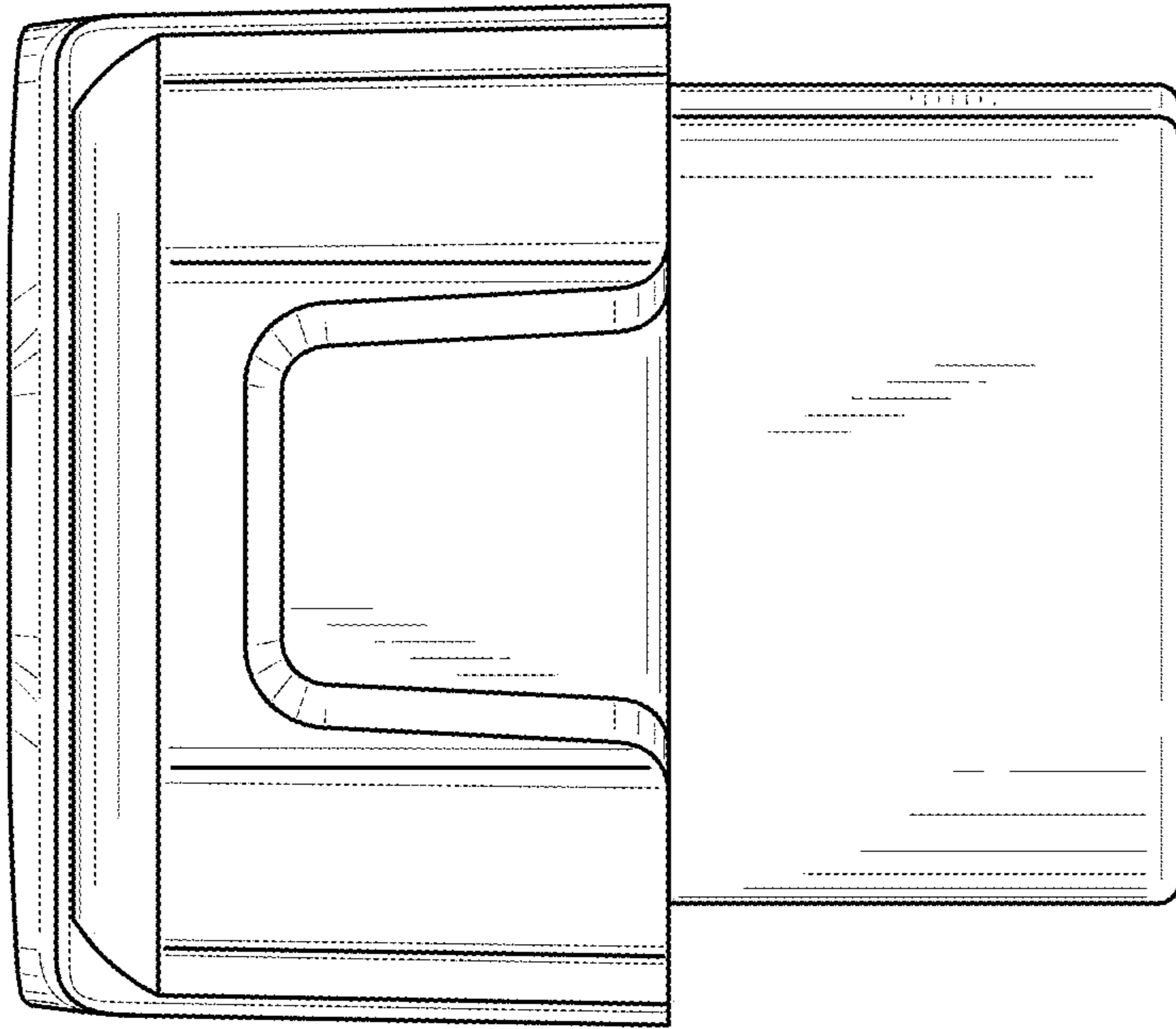


FIG. 6

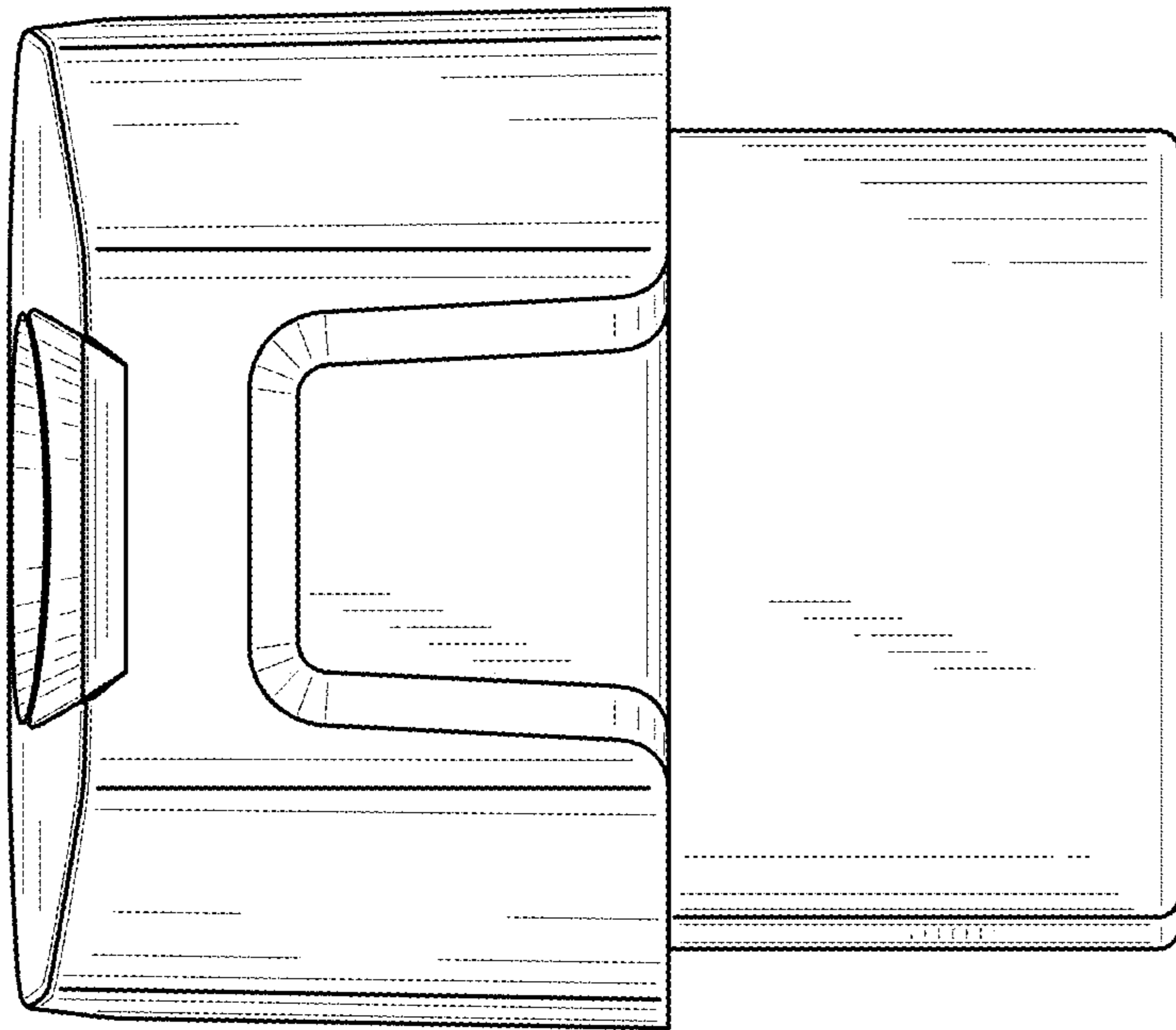


FIG. 5

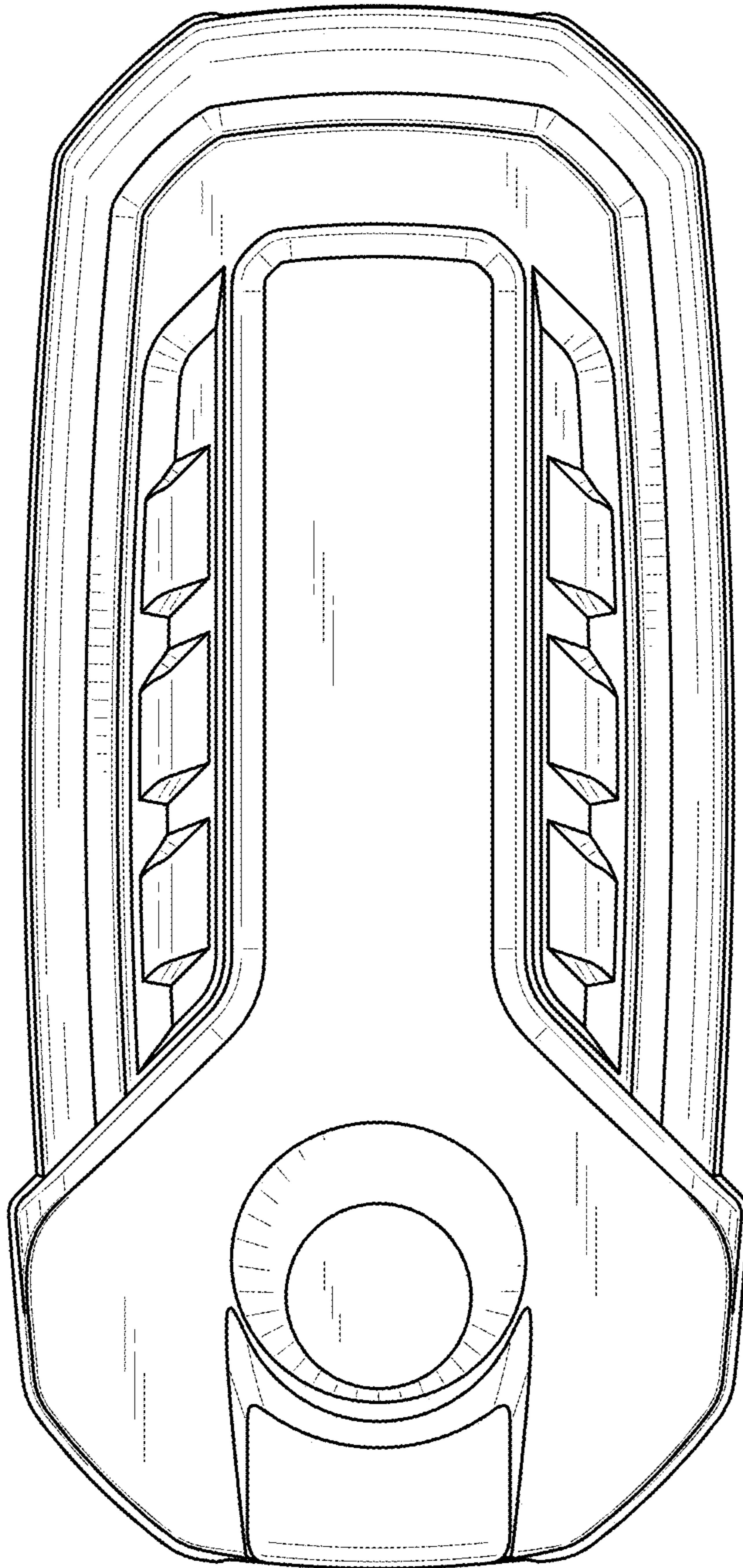


FIG. 7

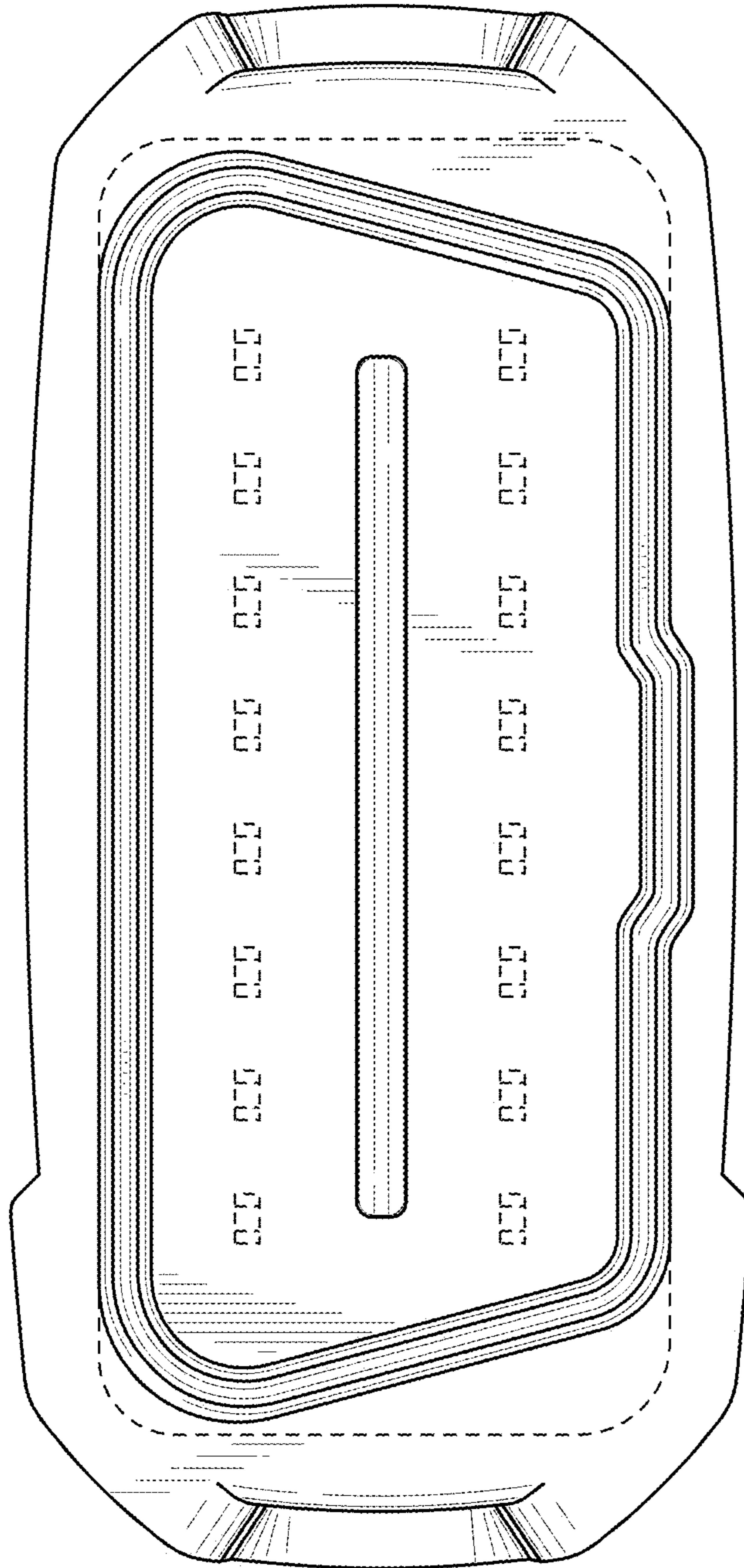


FIG. 8