



US00D923497S

(12) **United States Design Patent**
Zhong et al.

(10) **Patent No.:** **US D923,497 S**

(45) **Date of Patent:** **** Jun. 29, 2021**

(54) **MEASURING TAPE**

(71) Applicant: **Aukey Technology Co., Ltd**, Shenzhen (CN)

(72) Inventors: **Xiaomin Zhong**, Shenzhen (CN); **Bo Du**, Shenzhen (CN); **Huiyue Ze**, Shenzhen (CN)

(73) Assignee: **Aukey Technology Co., Ltd**, Shenzhen (CN)

(**) Term: **15 Years**

(21) Appl. No.: **29/730,042**

(22) Filed: **Apr. 1, 2020**

(51) **LOC (13) Cl.** **10-04**

(52) **U.S. Cl.**
USPC **D10/72**

(58) **Field of Classification Search**
USPC D10/46, 61, 70–80; 33/701, 771, 751, 33/767, 762, 755, 758, 761
CPC A63B 67/068; G01B 3/1005; G01B 2003/1012; G01B 3/1003; G01B 3/10; G01B 2003/1058; G01B 3/1041; G01B 3/1069; G01B 3/102; G01B 1/00; G01B 2003/1097

See application file for complete search history.

(56) **References Cited**

U.S. PATENT DOCUMENTS

D424,955 S *	5/2000	Hizawa	D10/72
D522,890 S *	6/2006	Huang	D10/72
7,185,445 B2 *	3/2007	Rhead	G01B 3/1056 33/755
D668,565 S *	10/2012	Huang	D10/72
D756,251 S *	5/2016	Ranieri	D10/72
D839,758 S *	2/2019	Mallozzi	D10/72
D856,176 S *	8/2019	Eun	D10/72
D865,547 S *	11/2019	Jung	D10/72

D881,043 S *	4/2020	Shao	D10/69
D884,514 S *	5/2020	Jung	D10/72
D894,765 S *	9/2020	DeLeo	D10/74

(Continued)

FOREIGN PATENT DOCUMENTS

CN	304805477	*	5/2018
CN	305215537	*	2/2019

(Continued)

OTHER PUBLICATIONS

TACKLIFE Store, Laser Tape Measure,3-in-1 Wheel Measuring Laser Measure 131.2FtTape Measure 16.5Ft, Date first available Oct. 15, 2020, [online]retrieved Jan. 25, 2021, available from internet,https://www.amazon.com/Measure-Measuring-Distance-Interface-Pythagorean-TACKLIFE/dp/B08L7VFQGY/ref=sr (Year: 2020).*

(Continued)

Primary Examiner — Keli L Hill
Assistant Examiner — Sara S Sahneh
(74) *Attorney, Agent, or Firm* — Westbridge IP LLC

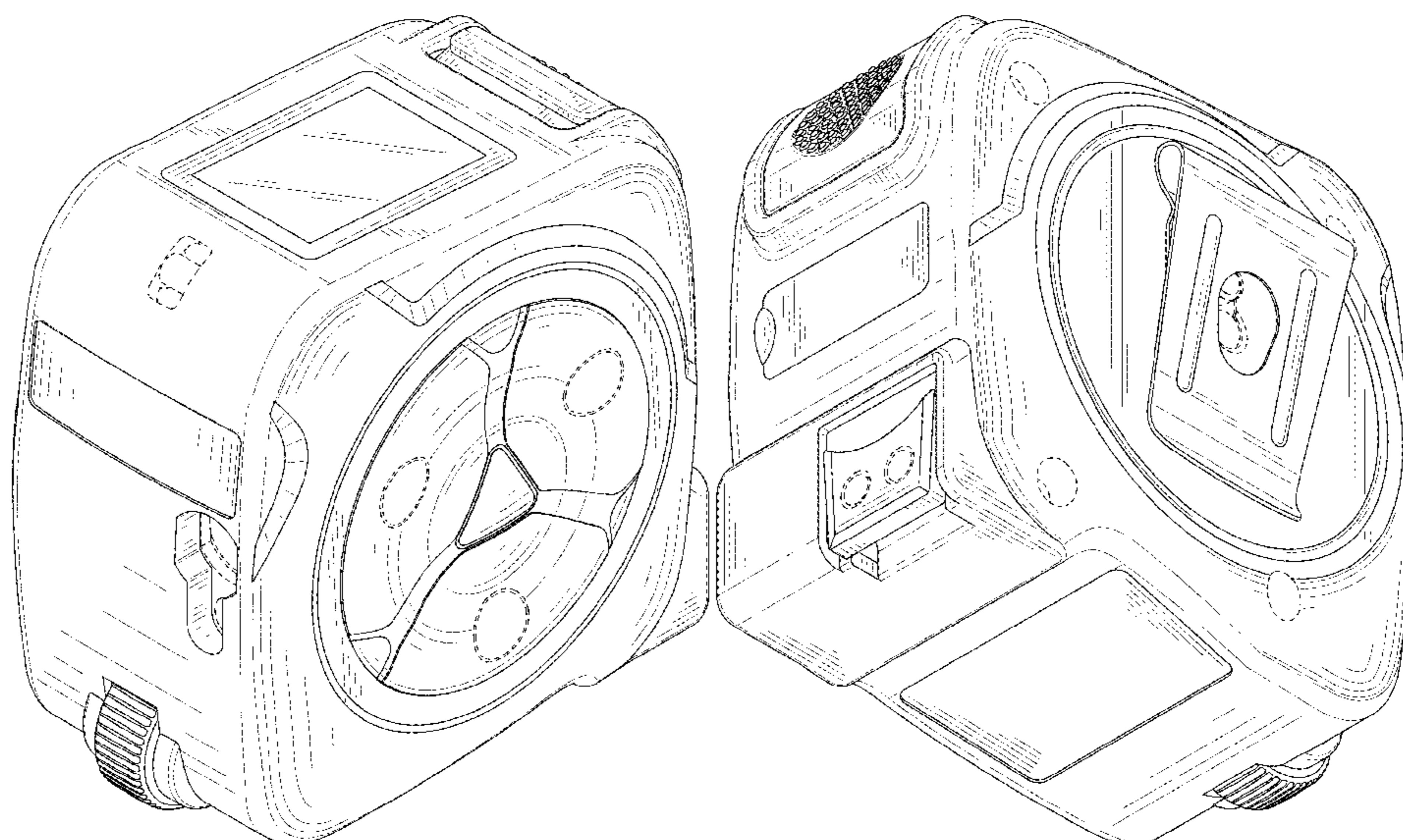
(57) **CLAIM**

The ornamental design for a measuring tape, as shown and described.

DESCRIPTION

FIG. 1 is a front perspective view of a measuring tape showing our new design;
FIG. 2 is a rear perspective view thereof;
FIG. 3 is a front elevational view thereof;
FIG. 4 is a rear elevational view thereof;
FIG. 5 is a left side view thereof;
FIG. 6 is a right side view thereof;
FIG. 7 is a top plan view thereof; and,
FIG. 8 is a bottom plan view thereof.
The broken lines in the drawings illustrate the portions of the measuring tape which form no part of the claimed design.

1 Claim, 8 Drawing Sheets



(56)

References Cited

U.S. PATENT DOCUMENTS

10,859,363 B2 * 12/2020 Murray G01B 3/1084
2017/0292821 A1 * 10/2017 DeLeo G01B 3/1005

FOREIGN PATENT DOCUMENTS

CN 305742182 * 9/2019
CN 306070694 * 2/2020
EM 004685592-0002 * 1/2018
KR 300984137.0000 * 7/2018
KR 300988309.0000 * 12/2018

OTHER PUBLICATIONS

TACKLIFE Store, Laser Tape Measure 2-in-1, Laser Measure 131 Ft, Tape Measure, Date first available Feb. 12, 2019, [online]retrieved Jan. 21, 2021, available from internet, https://www.amazon.com/Measure-Digital-Magnetic-Screwdriver-Construction/dp/B07NMSBRSD/ref=sr_1_37?crid=13QT21NPFOD3D&dchild=1 (Year: 2019).*

Minzhi, Measure King 3-in-1 Digital Tape Measure String Mode Precise Roller Mode Universal Measuring Tool, Date first available Jul. 21, 2018, [online]retrieved Jan. 21, 2021, available from internet, https://www.amazon.com/Minzhi-Measure-Digital-Universal-Measuring/dp/B07F85Z86Y/ref=psdc_553284_t4_B (Year: 2018).*

LEXIVON, DualLockTape Measure | 1-Inch Wide Blade with Nylon CoatingDate first available Dec. 28, 2018, [online]retrieved Jan. 21, 2021, available from internet, https://www.amazon.com/LEXIVON-DualLock-Measure-Fractions-LX-208/dp/B07M9ZK3M1/ref=pd_di_sccai_6/133-9953152-3452307?_encoding=UTF8&pd_rd (Year: 2018).*

* cited by examiner

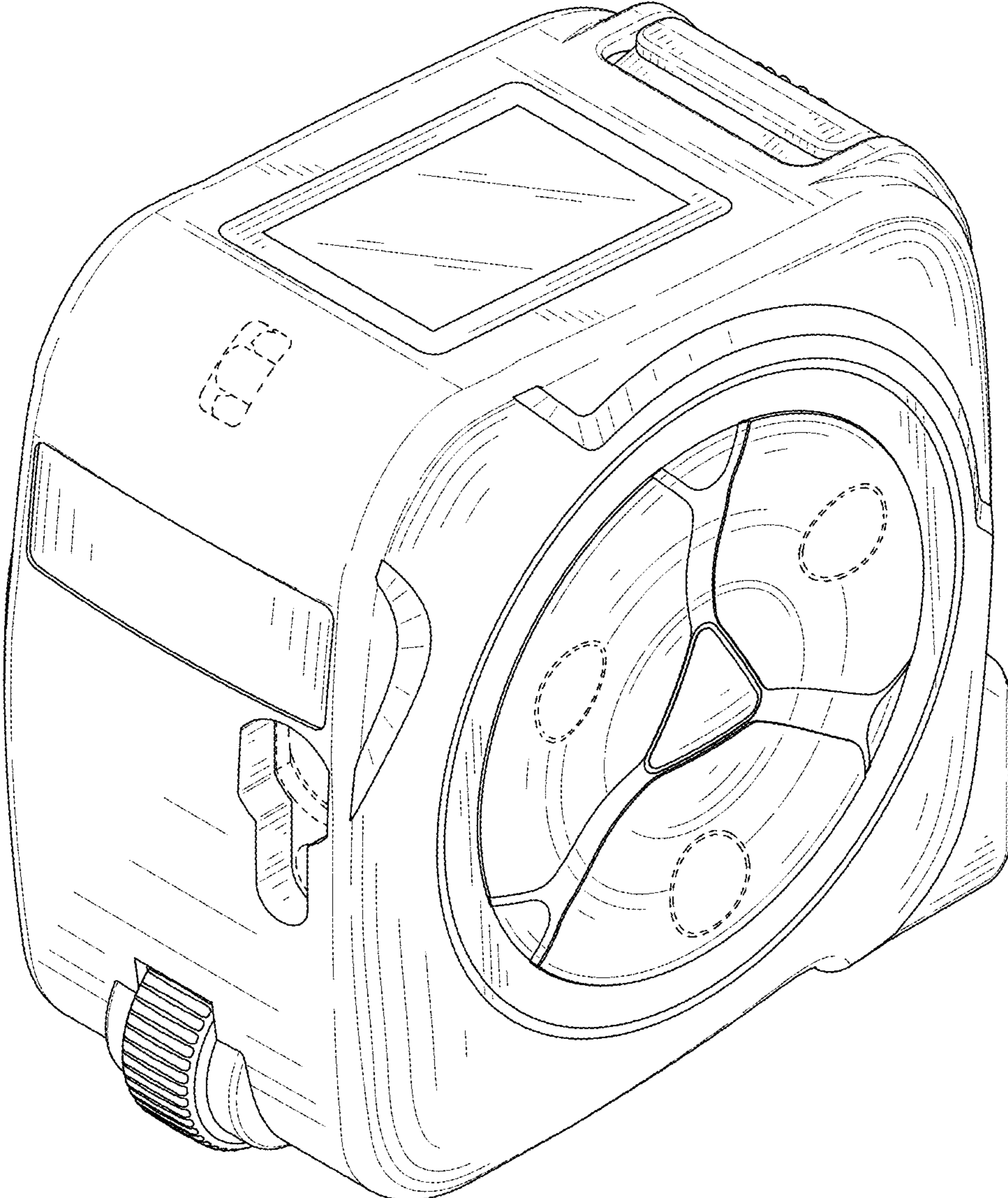


FIG. 1

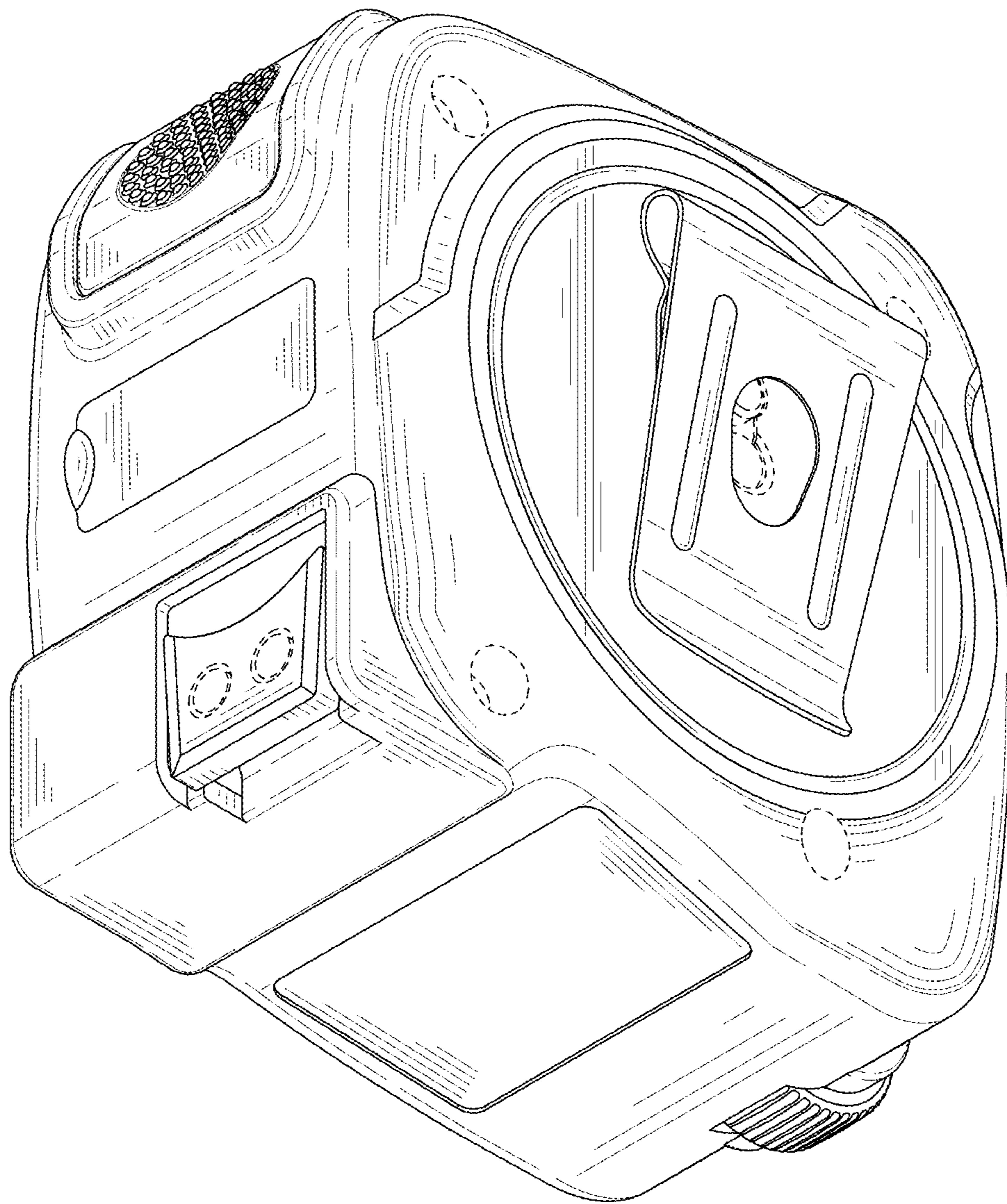


FIG. 2

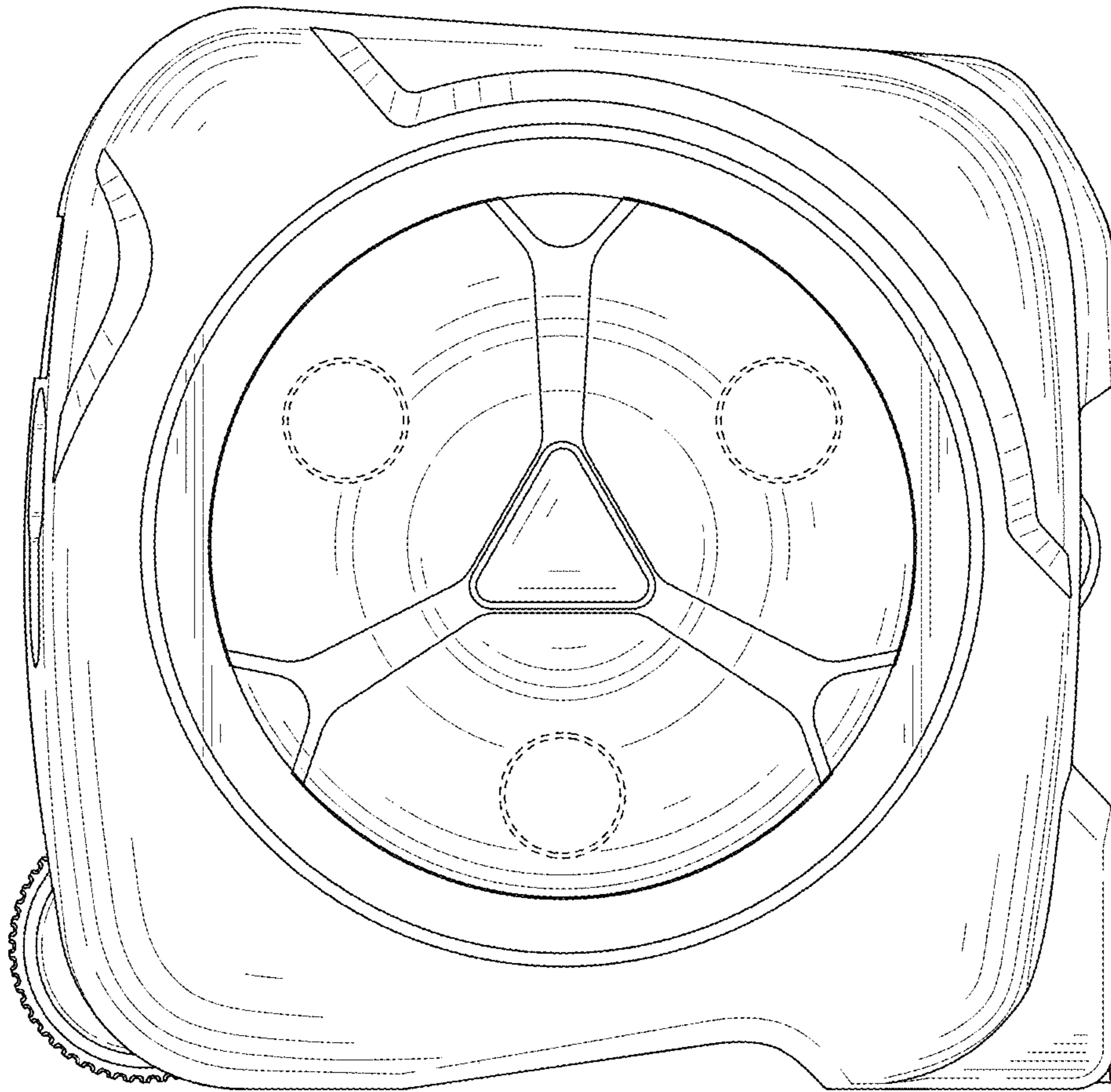


FIG. 3

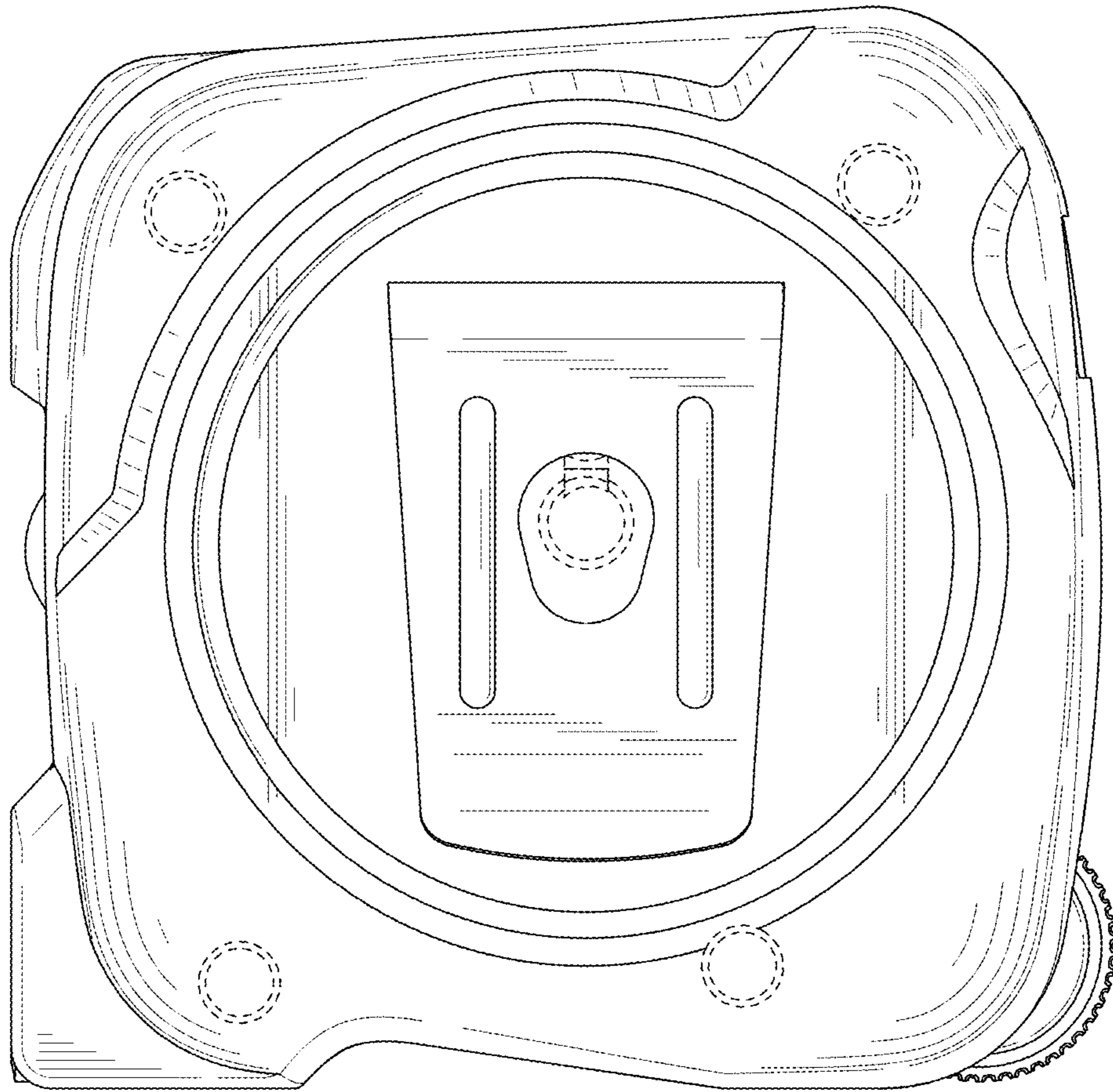


FIG. 4

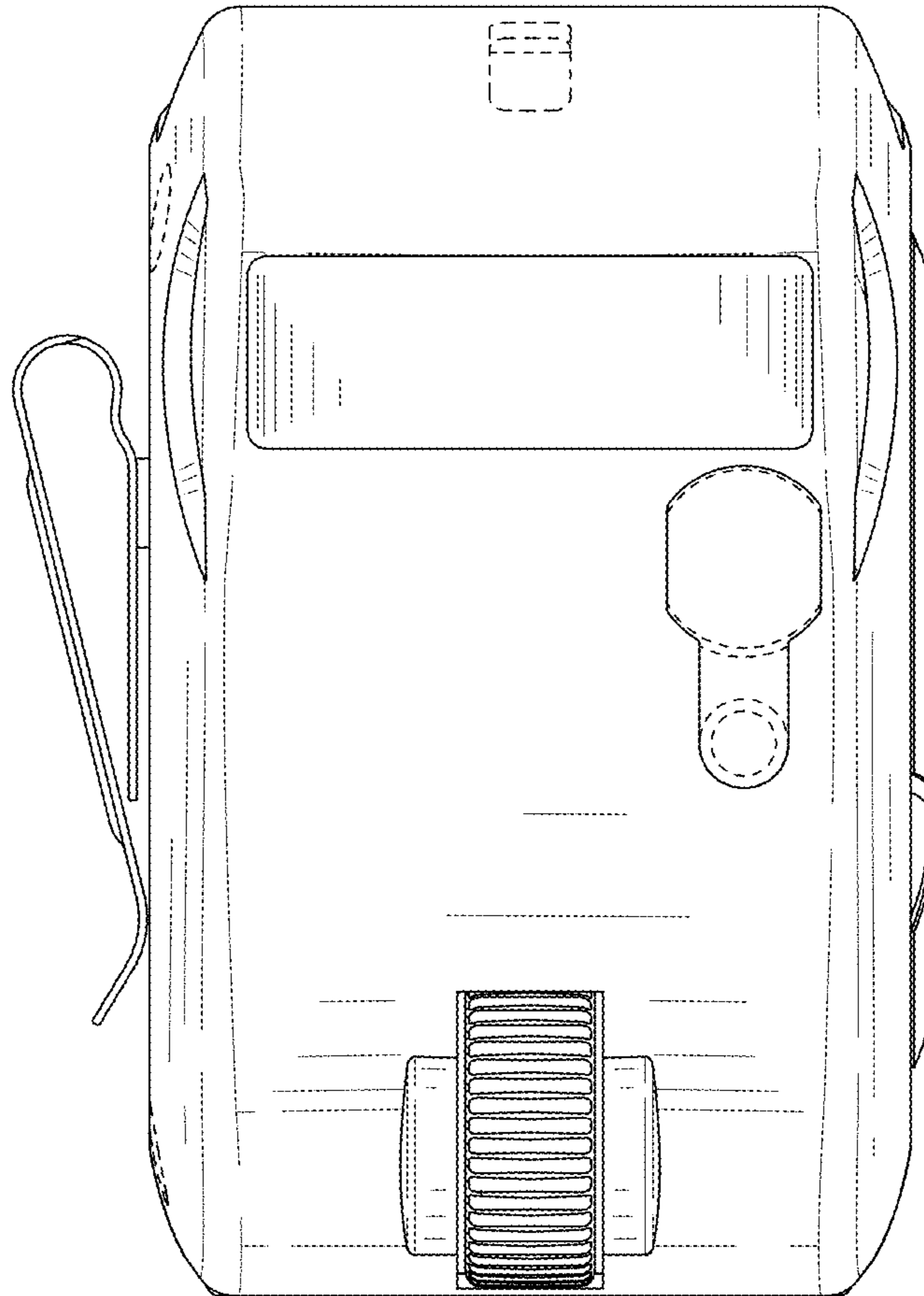


FIG. 5

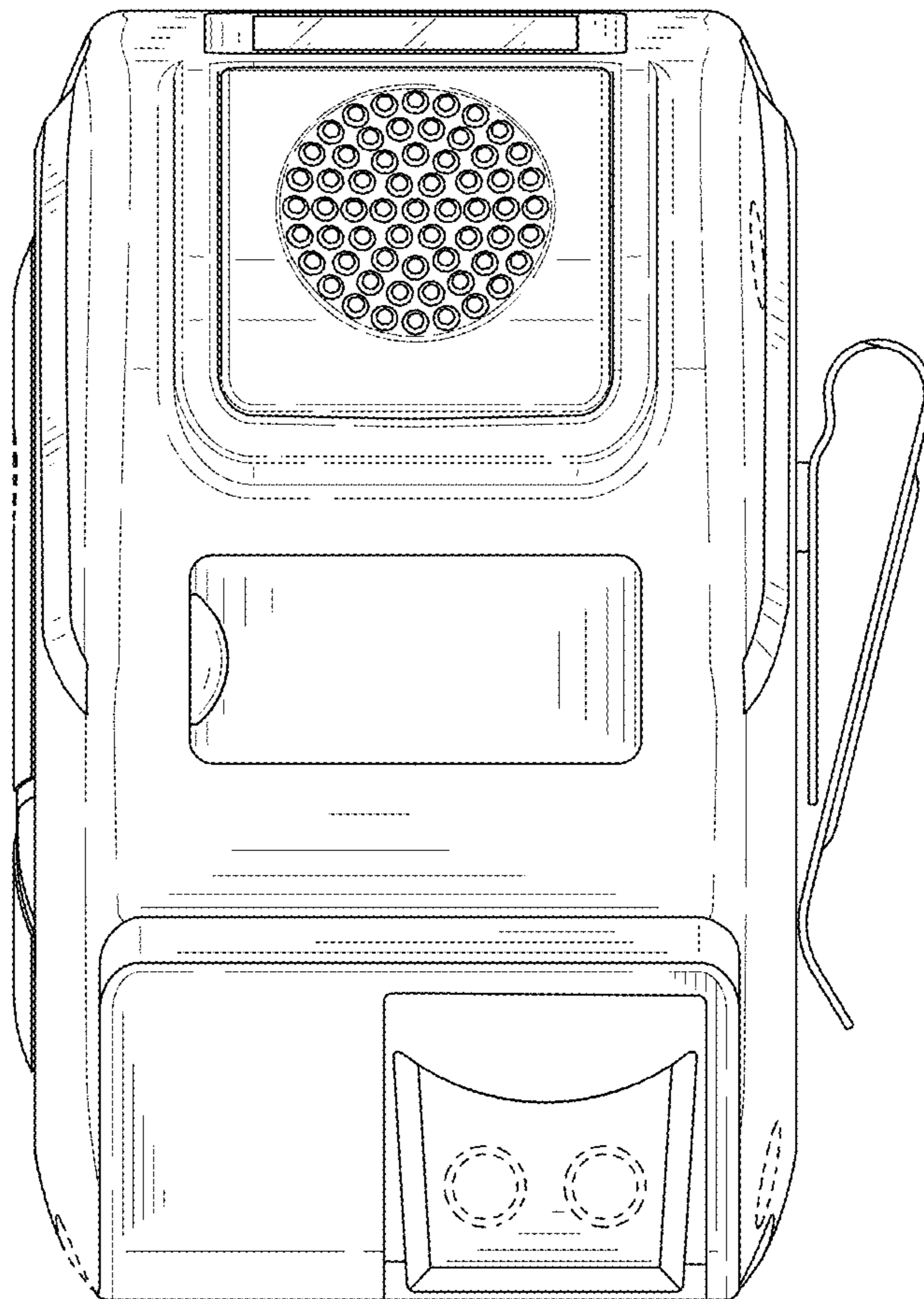


FIG. 6

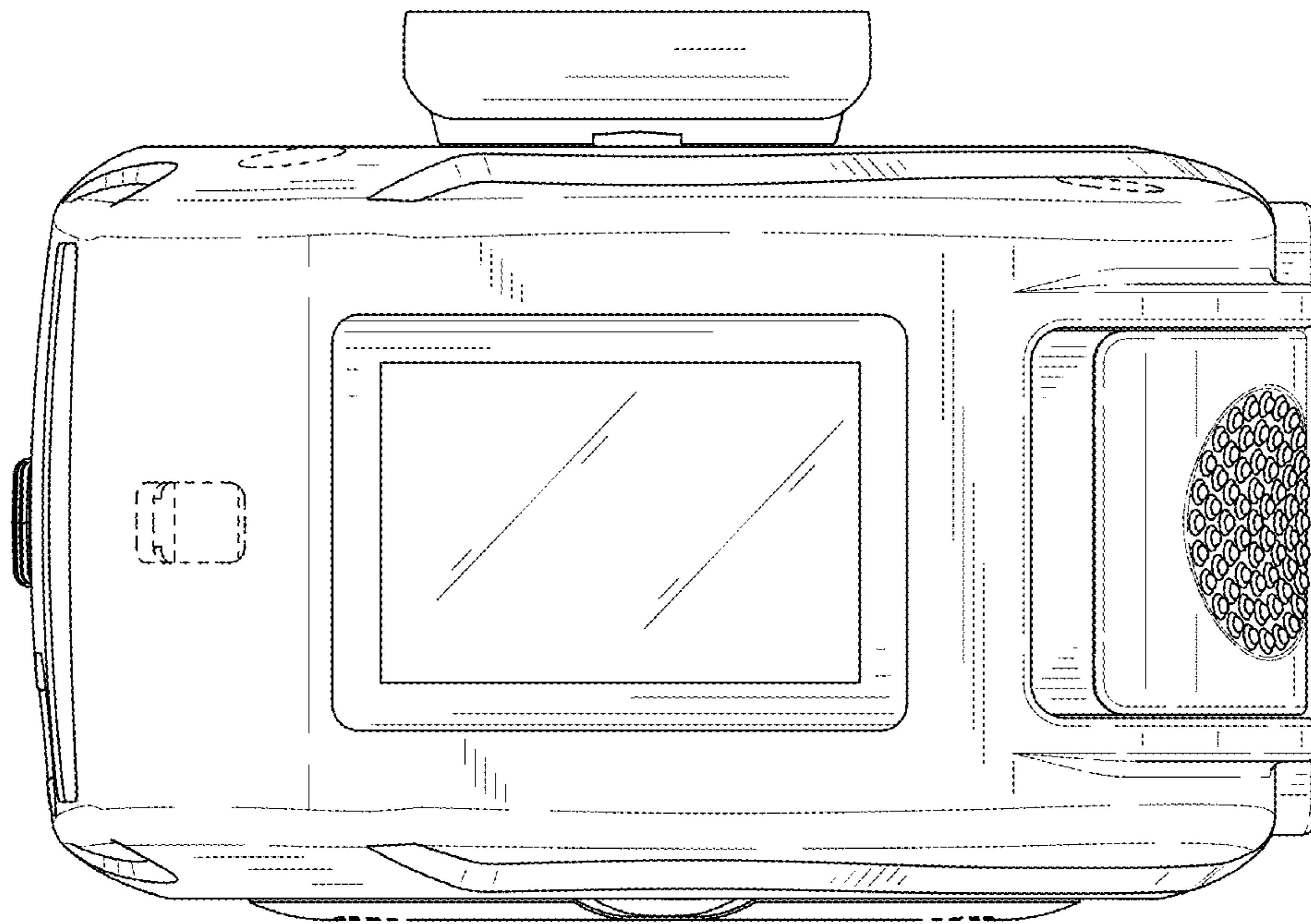


FIG. 7

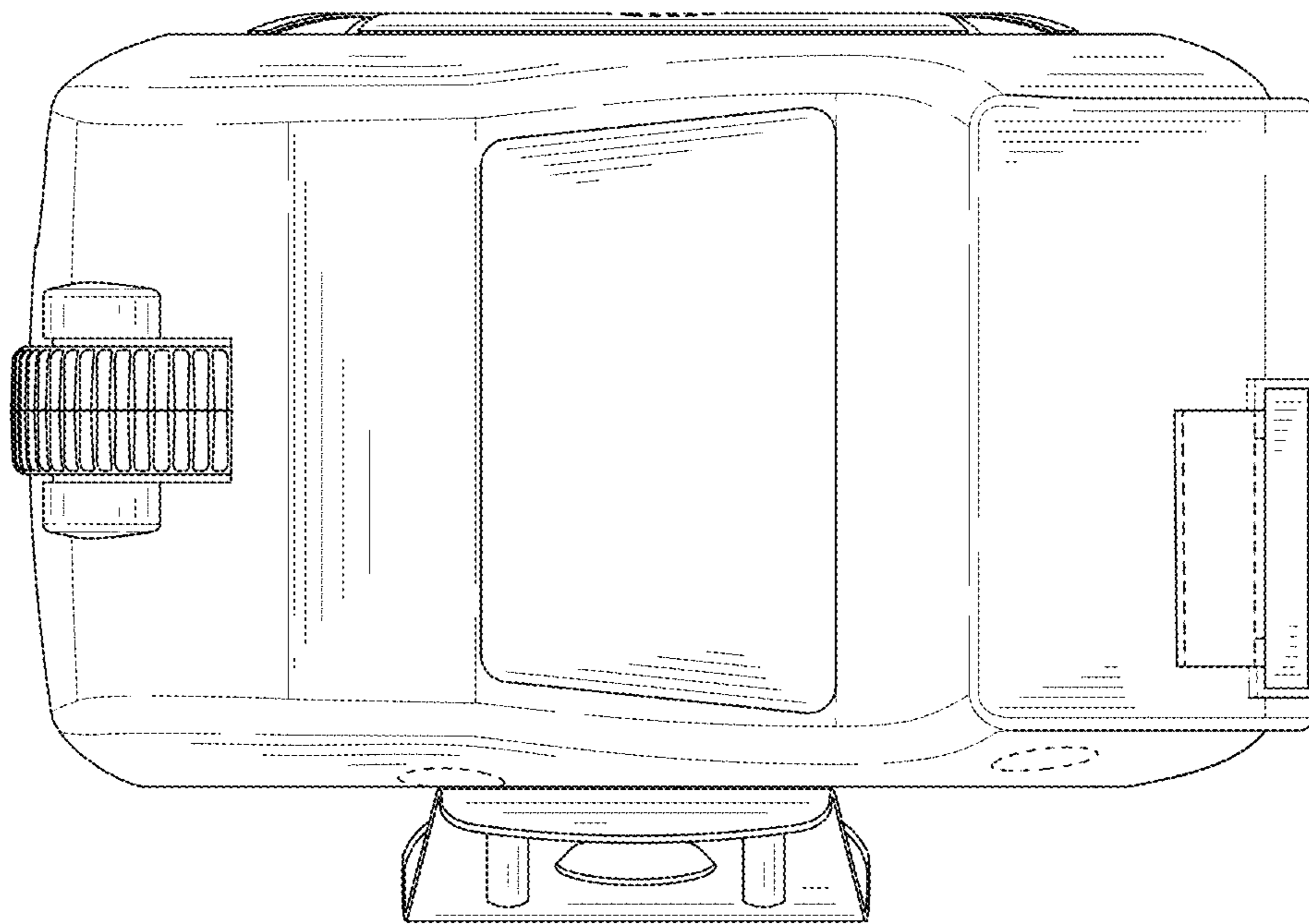


FIG. 8