



US00D923492S

(12) **United States Design Patent**
Boulangéot

(10) **Patent No.:** **US D923,492 S**
(45) **Date of Patent:** **** Jun. 29, 2021**

(54) **WATCH**

D386,095 S * 11/1997 Perrin D10/30
D505,628 S * 5/2005 Scheufele D10/39
D527,287 S * 8/2006 Galvani D10/39

(71) Applicant: **Cartier International AG**, Steinhausen
(CH)

(Continued)

(72) Inventor: **Sophie Boulangéot**, Geneva (CH)

OTHER PUBLICATIONS

(73) Assignee: **Cartier International AG**, Steinhausen
(CH)

Hands-on Cartier Prive Tonneau Skeleton Dual Time | posted Mar. 2020 [online]. © 2011-2020 SJX [retrieved Nov. 7, 2020] from Internet: <<https://watchesbysjx.com/2020/03/cartier-prive-tonneau-skeleton-dual-time.html>> (Year: 2020).*

(**) Term: **15 Years**

(21) Appl. No.: **29/688,924**

Primary Examiner — Sandra Snapp

Assistant Examiner — Katherine Glennon

(22) Filed: **Apr. 25, 2019**

(74) *Attorney, Agent, or Firm* — Taft Stettinius & Hollister LLP

(30) **Foreign Application Priority Data**

Oct. 31, 2018 (WO) 9492701

(51) **LOC (13) Cl.** **10-02**

(52) **U.S. Cl.**
USPC **D10/39**

(58) **Field of Classification Search**

USPC D10/30-39, 87, 102, 121-131, 97
CPC G04B 19/00; G04B 19/08; G04B 19/082;
G04B 19/085; G04B 19/087; G04B
19/10; G04B 19/103; G04B 19/12; G04B
19/16; G04B 19/166; G04B 19/18; G04B
19/22; G04B 19/24; G04B 29/00; G04B
29/02; G04B 29/04; G04B 45/00; G04B
45/02; G04B 45/0038; G04G 19/06;
G04G 19/065; G04G 19/243; G04G
19/283

See application file for complete search history.

(56) **References Cited**

U.S. PATENT DOCUMENTS

D93,390 S * 9/1934 Ditesheim D10/39
D101,076 S * 9/1936 Graff D10/39
D151,301 S * 10/1948 Wadsworth D10/31
2,640,668 A * 6/1953 Schmidt G04B 37/0436
248/116

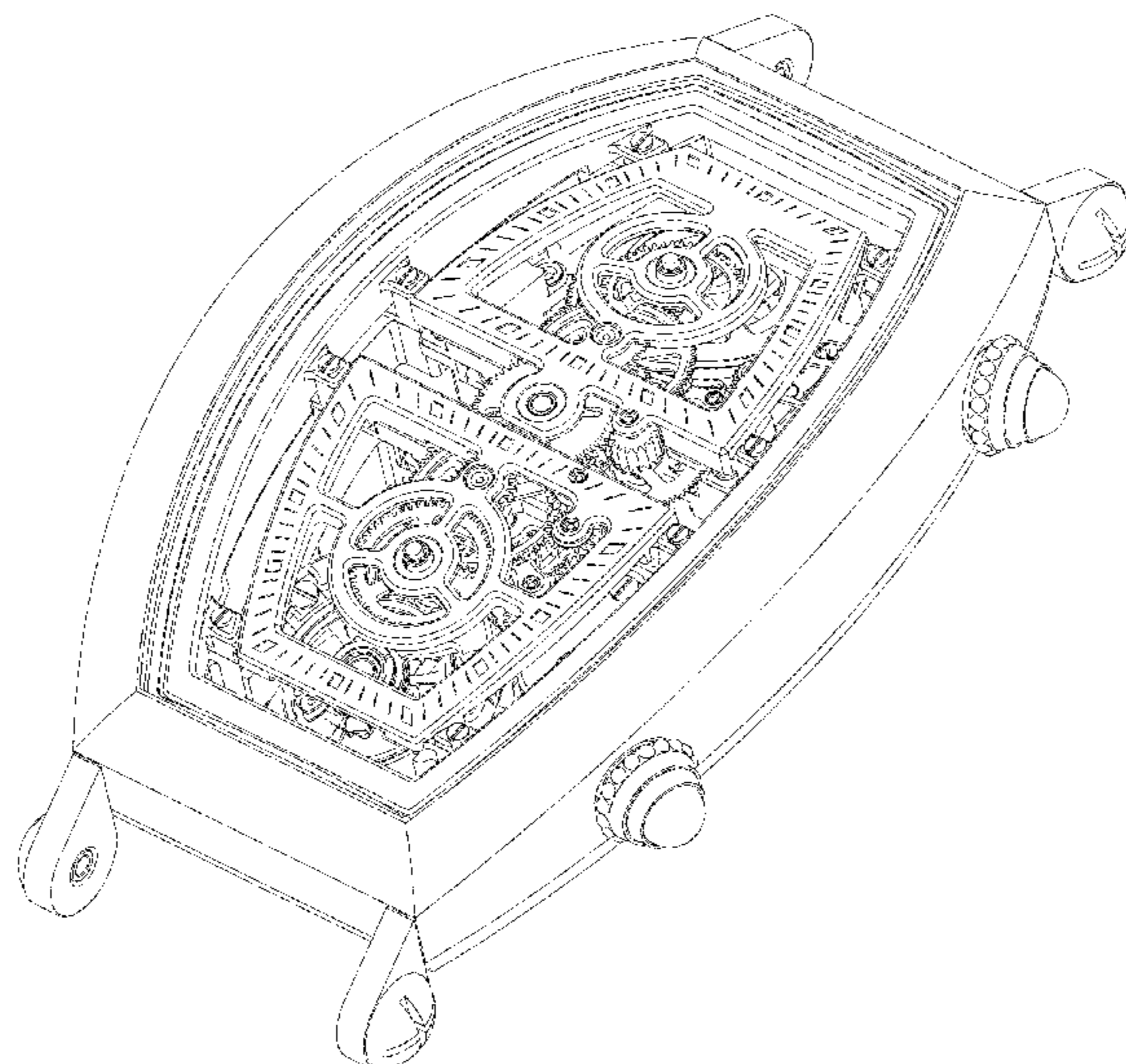
(57) **CLAIM**

The ornamental design for a watch, as shown and described.

DESCRIPTION

FIG. 1 is a front elevational view of a watch showing my new design, with the front cover removed for ease of illustration;
FIG. 2 is a back elevational view thereof, with the back cover removed for ease of illustration;
FIG. 3 is a top plan view thereof, with the front and back covers in place;
FIG. 4 is a bottom plan view thereof, with the front and back covers in place;
FIG. 5 is a right side elevational view thereof, with the front and back covers in place;
FIG. 6 is a left side elevational view thereof, with the front and back covers in place;
FIG. 7 is a front, bottom, right side perspective view thereof, with the front cover removed for ease of illustration; and,
FIG. 8 is a back, bottom, left side perspective view thereof, with the back cover removed for ease of illustration.

1 Claim, 8 Drawing Sheets



(56)

References Cited

U.S. PATENT DOCUMENTS

D545,695 S	*	7/2007	Laucella	D10/31
D568,181 S	*	5/2008	Rabassa	D10/39
D616,312 S	*	5/2010	Ellia	D10/39
D650,708 S	*	12/2011	Laucella	D10/39
D663,220 S	*	7/2012	Mouclier	D10/1
D692,323 S	*	10/2013	Mille	D10/39
D710,714 S	*	8/2014	Monachon	D10/39
D738,747 S	*	9/2015	Calce	D10/32
D761,679 S	*	7/2016	Berhanu	D10/126
D768,020 S	*	10/2016	Kamilindi	D10/126
D798,168 S	*	9/2017	Laucella	D10/30
D861,507 S	*	10/2019	Gimenez	D10/39
D861,528 S	*	10/2019	Gimenez	D10/125
D877,629 S	*	3/2020	Gimenez	D10/38

* cited by examiner

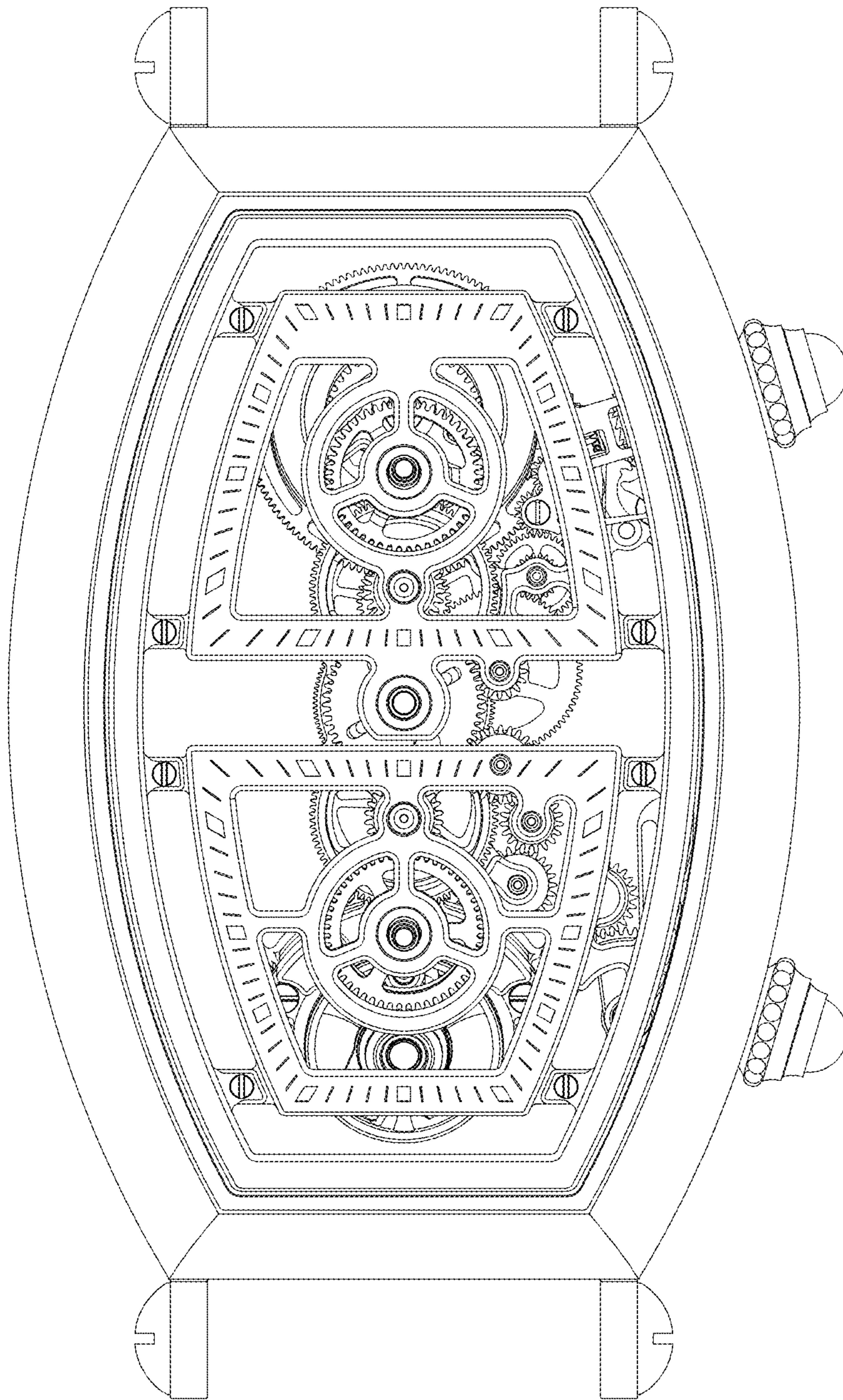


Fig. 1

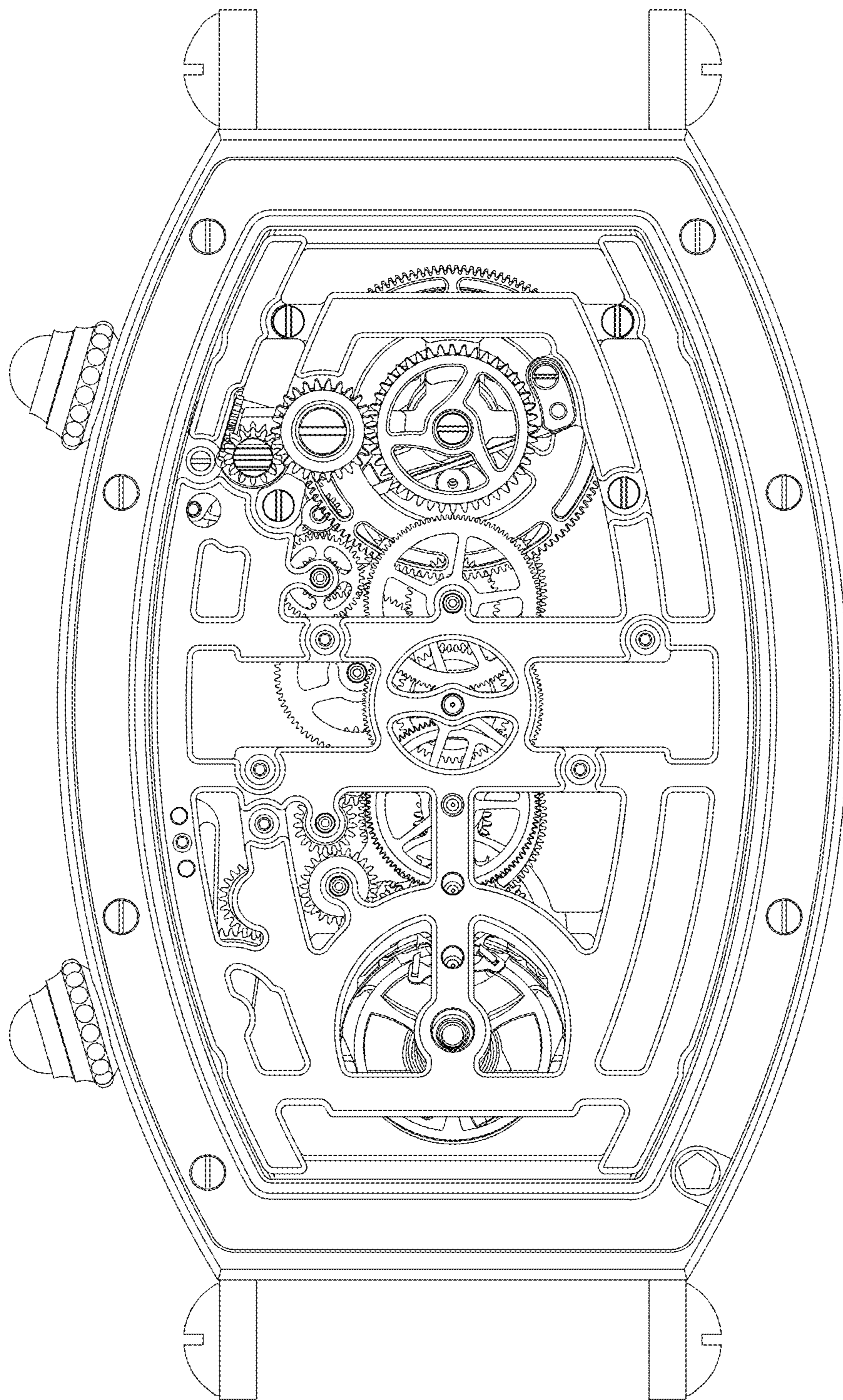


Fig. 2

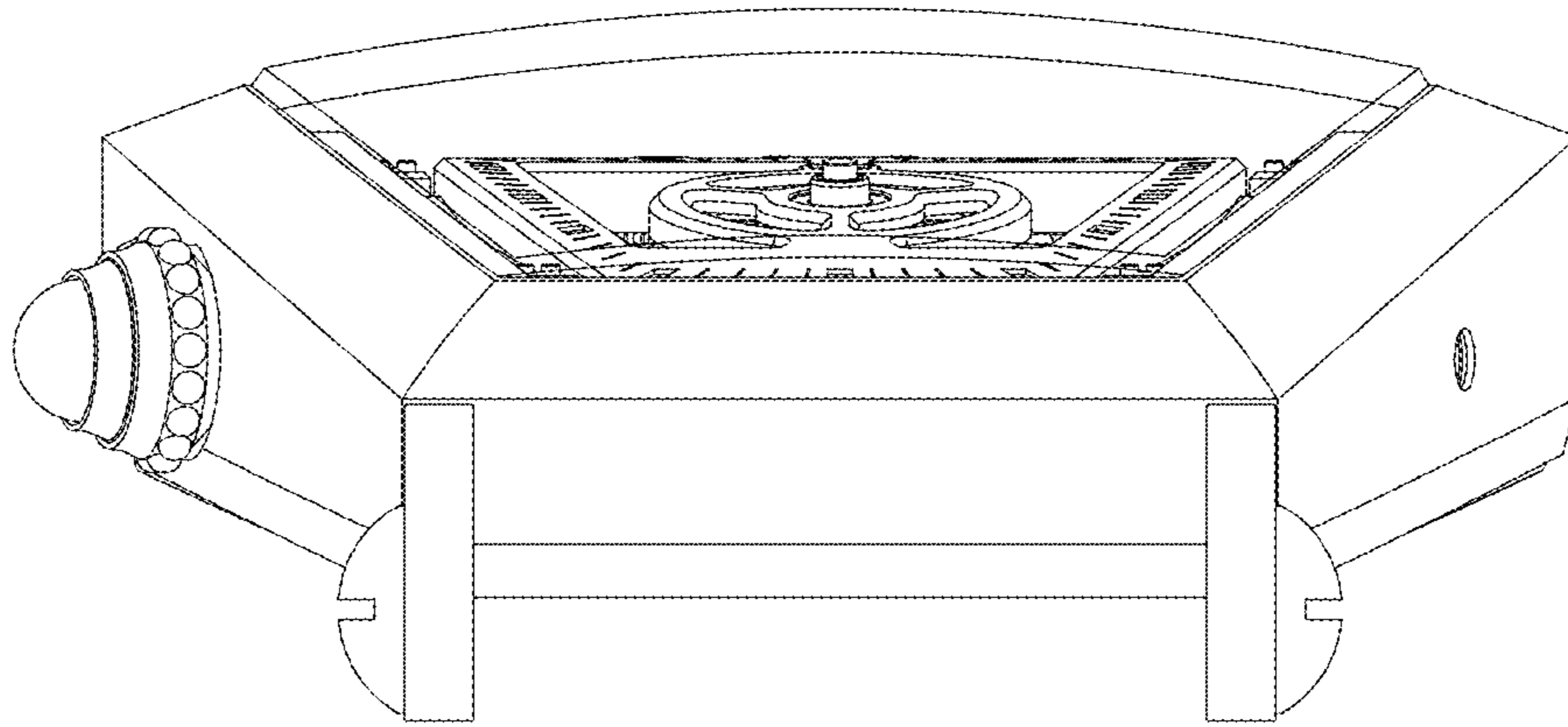


Fig. 3

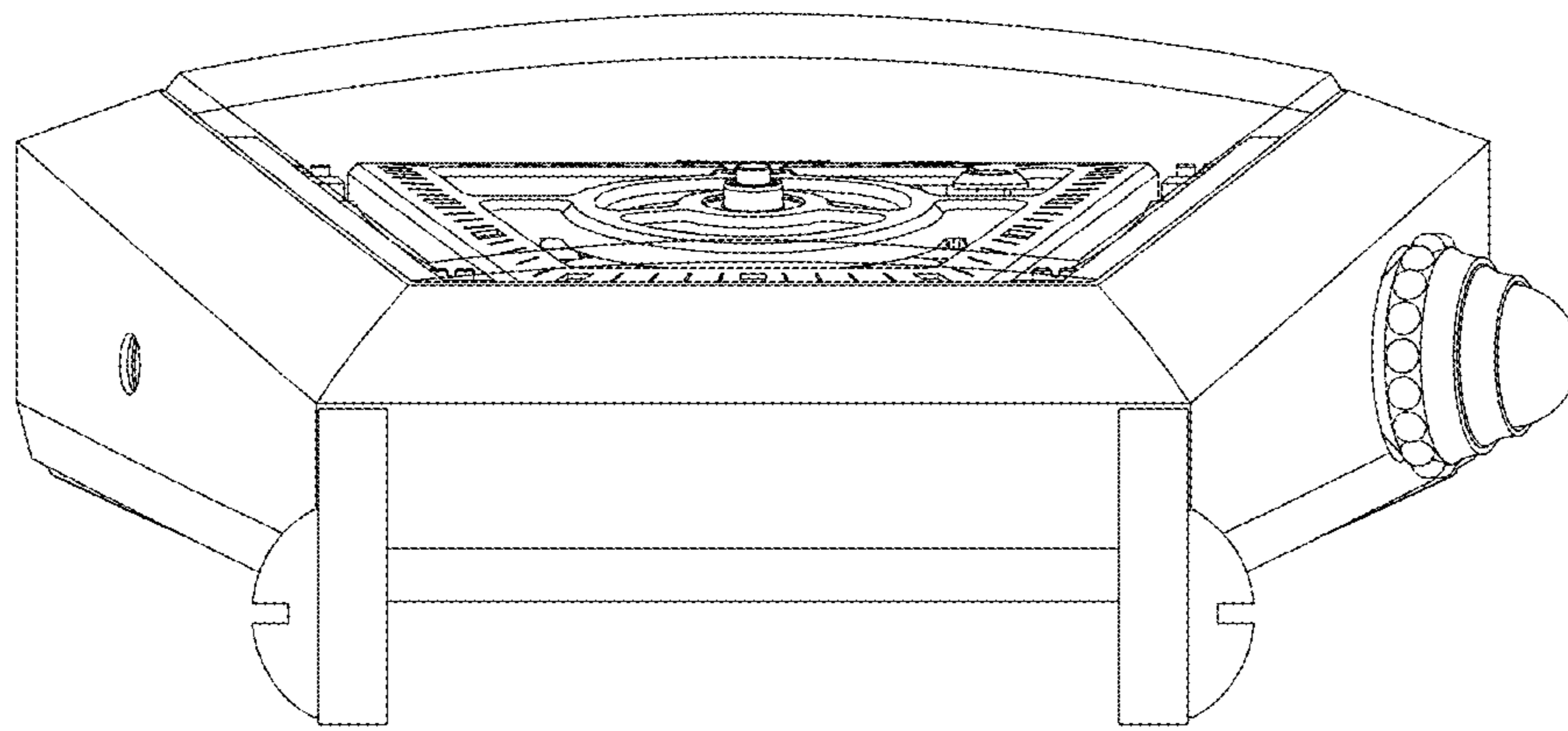


Fig. 4

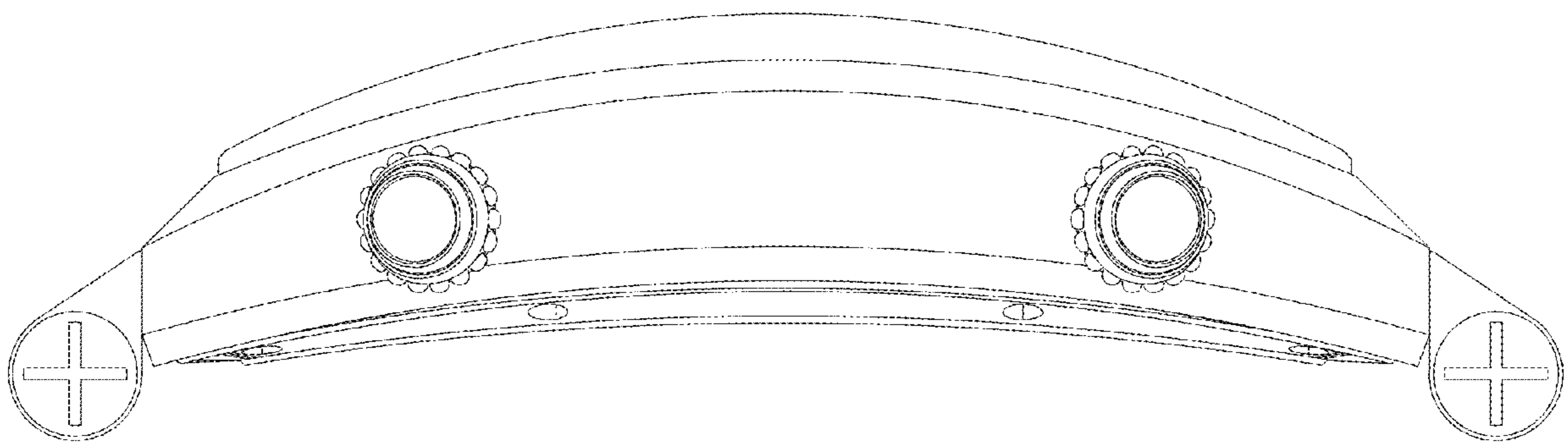


Fig. 5

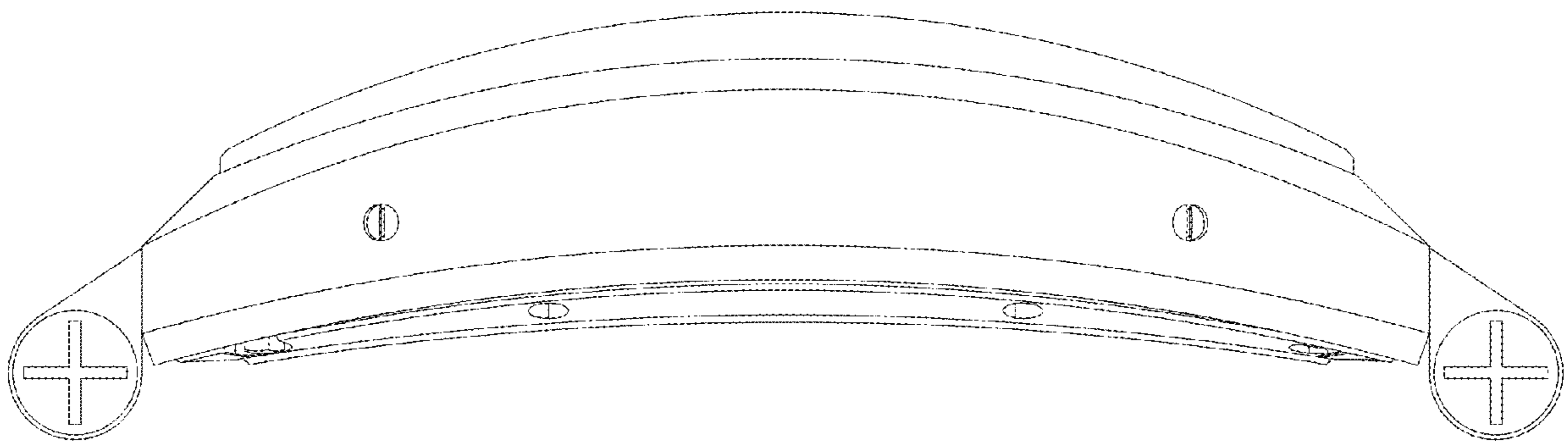


Fig. 6

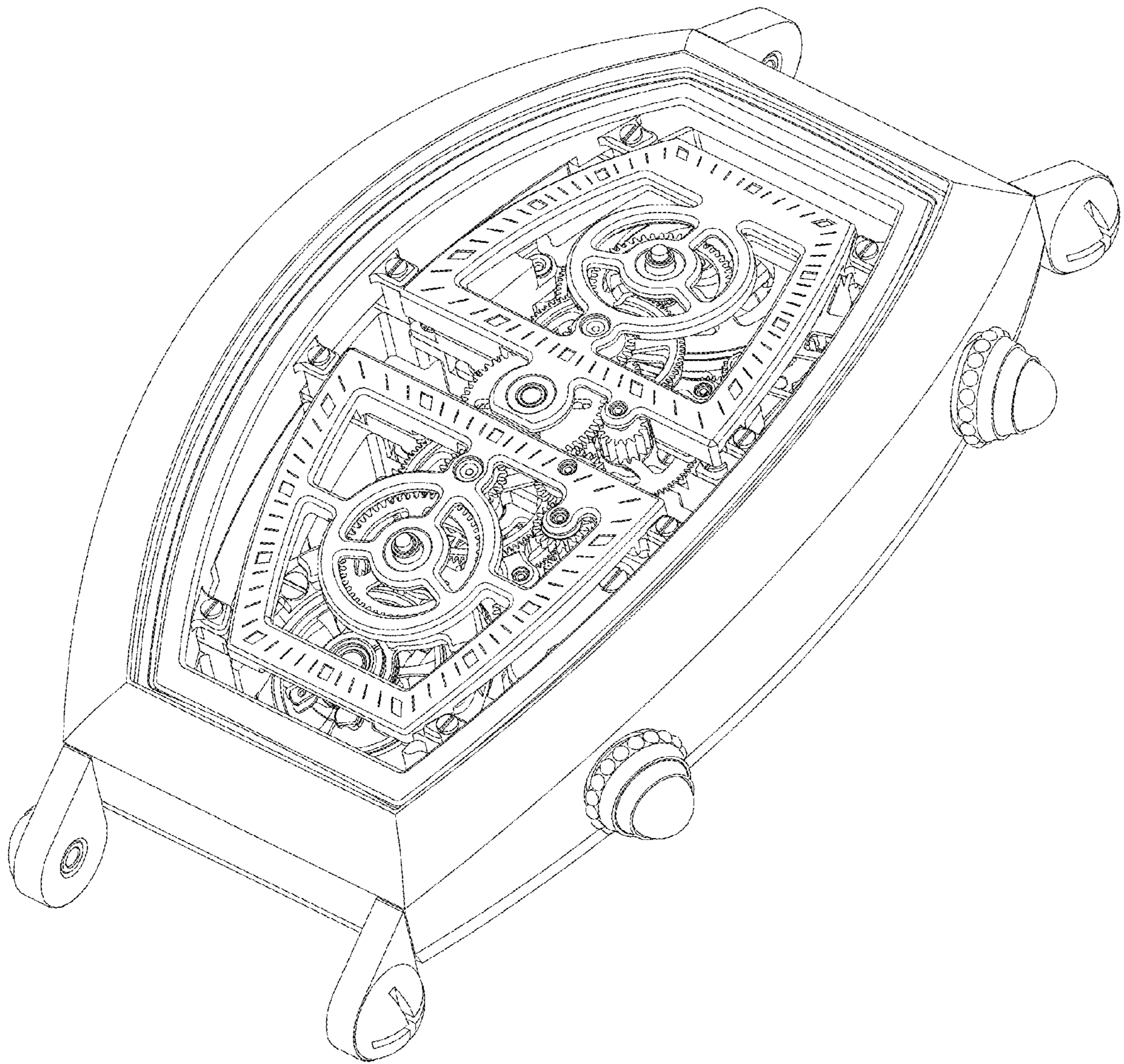


Fig. 7

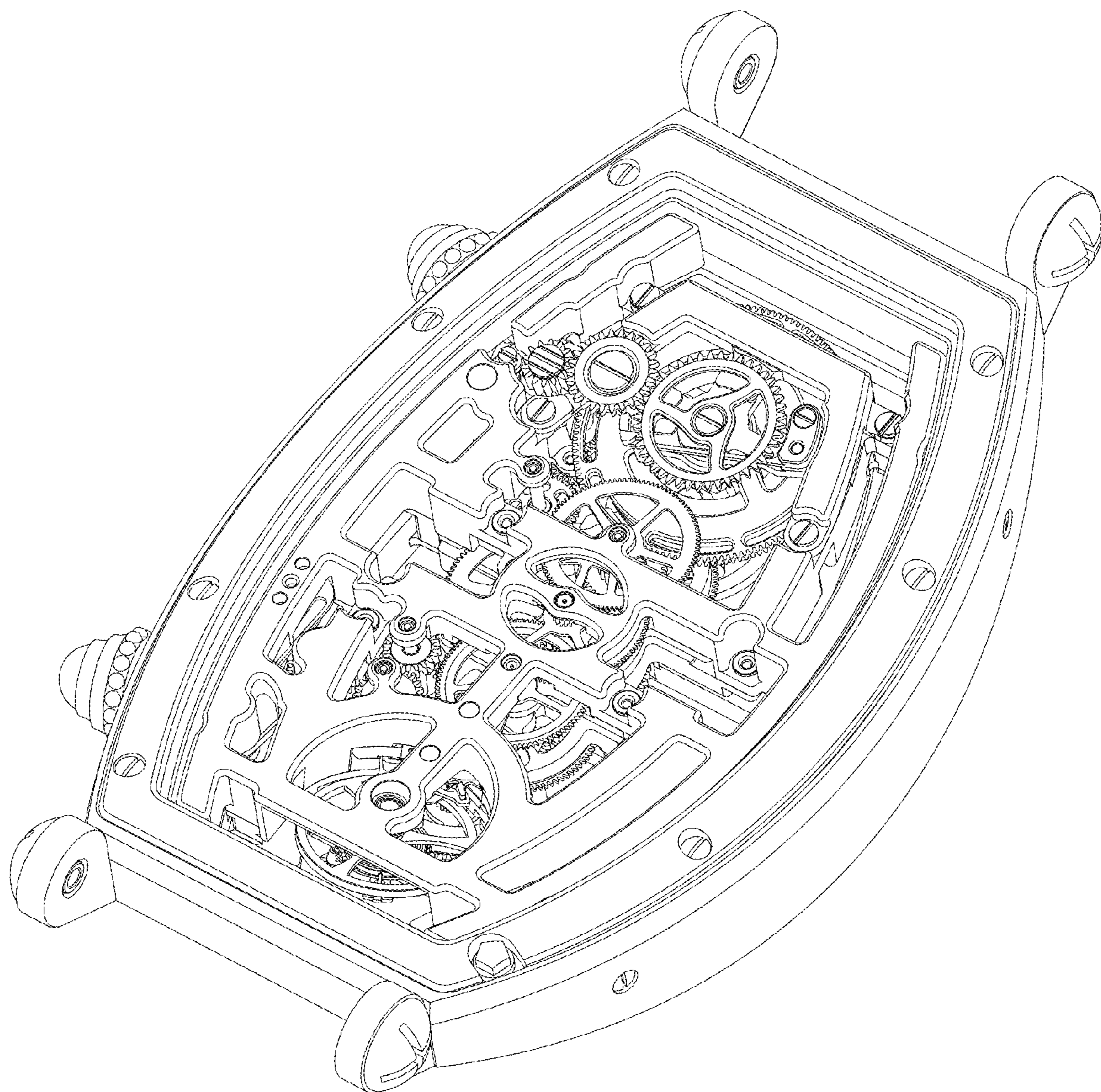


Fig. 8