



US00D923487S

(12) **United States Design Patent**
Hwang

(10) **Patent No.:** **US D923,487 S**
(45) **Date of Patent:** **** Jun. 29, 2021**

(54) **CONTAINER**

(71) Applicant: **Koieto Innovations LLC**, Garden Grove, CA (US)
(72) Inventor: **Steven Hwang**, Garden Grove, CA (US)
(73) Assignee: **Koieto Innovations, LLC**, Cypress, CA (US)

(**) Term: **15 Years**

(21) Appl. No.: **29/689,315**

(22) Filed: **Apr. 29, 2019**

(51) **LOC (13) Cl.** **09-05**

(52) **U.S. Cl.**
USPC **D9/711**

(58) **Field of Classification Search**

USPC D9/702-714, 695-699, 435, 440, 521, D9/454, 544, 723-724, 499, 449, D9/727-728, 442, 447, 504; 222/92, 96, 222/107, 527-529, 215, 491, 206, 222/212-213, 251, 95, 536; 206/438, 206/822, 527; 220/DIG. 7, 669; 215/321, 382, 316, 380, 228; 141/114-115; D28/91.1, 76-78, 82, 88; D24/114; D3/202, 205, 203.2, 270, D3/271.1-271.4; D7/510, 514-520, 599, D7/601-602, 612-615, 619.2, 628-629, D7/213
CPC .. B65D 2203/00; B65D 2203/02; B65D 5/00; B65D 5/001; B65D 5/4258; B65D 1/0223; B65D 1/02; B65D 1/10; B65D 1/46; B65D 23/00; B65D 2585/00; B65D 81/60; B65D 81/365; B65D 81/366; B65D 81/368; B65D 50/046; B65D 83/0005; B65D 83/005; B65D 83/00; B65D 47/18; B05C 17/0053
See application file for complete search history.

(56) **References Cited**

U.S. PATENT DOCUMENTS

D215,945 S	*	11/1969	Fara	D6/518
D748,813 S	*	2/2016	Ishiguro	D24/224
D827,449 S	*	9/2018	Roesler	D9/711
D850,279 S	*	6/2019	Liu	D9/695
D900,636 S	*	11/2020	Hyun	D9/711

* cited by examiner

Primary Examiner — Abraham Bahta

(74) *Attorney, Agent, or Firm* — Ryan Dean; Umberg Zipser LLP

(57) **CLAIM**

I claim the ornamental design for a container, as shown and described.

DESCRIPTION

FIG. 1 is a perspective view of the container with the top part inserted into the bottom part of the container showing my new design.

FIG. 2 is a top view of the container of FIG. 1.

FIG. 3 is a bottom view of the container of FIG. 1.

FIG. 4 is a left side view of the container of FIG. 1.

FIG. 5 is a right side view of the container of FIG. 1.

FIG. 6 is a rear side view of the container of FIG. 1.

FIG. 7 is a front side view of the container of FIG. 1.

FIG. 8 is a perspective view of the container of FIG. 1 with the top part being removed.

FIG. 9 is a top view of the container of FIG. 8.

FIG. 10 is a bottom view of the container of FIG. 8.

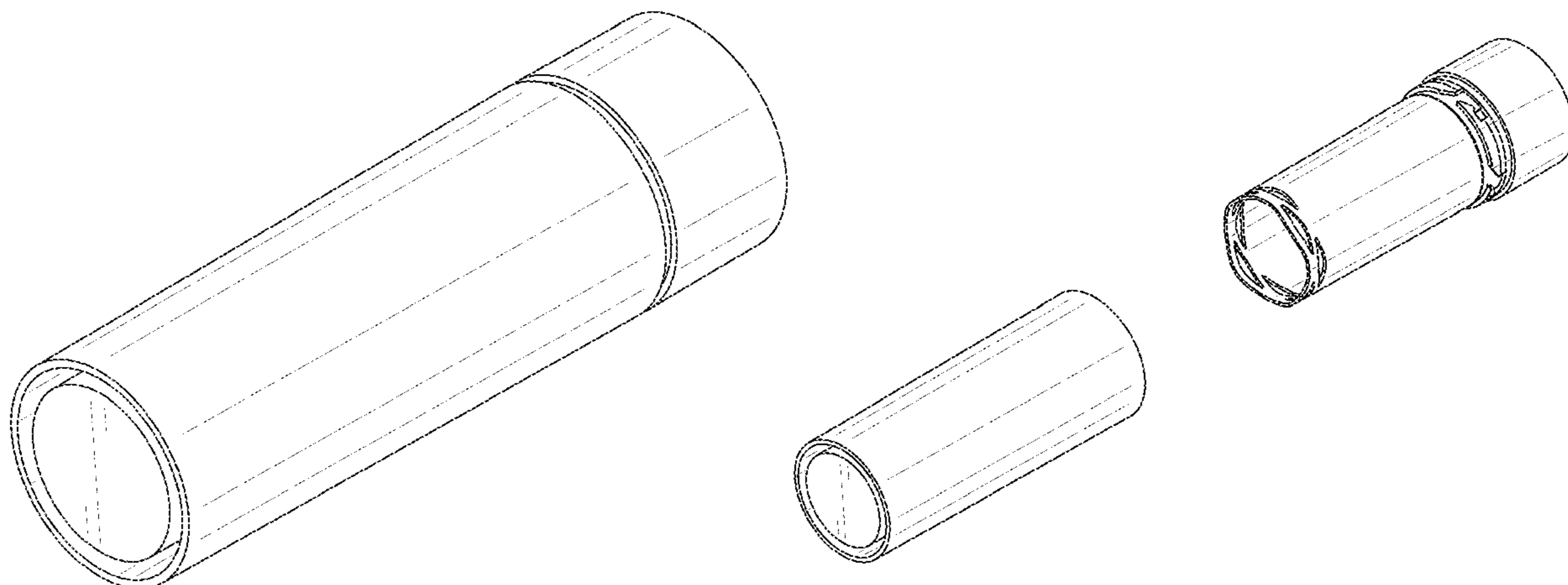
FIG. 11 is a front side view of the container of FIG. 8.

FIG. 12 is a back side view of the container of FIG. 8.

FIG. 13 is a left side view of the container of FIG. 8; and,

FIG. 14 is a right side view of the container of FIG. 8.

1 Claim, 14 Drawing Sheets



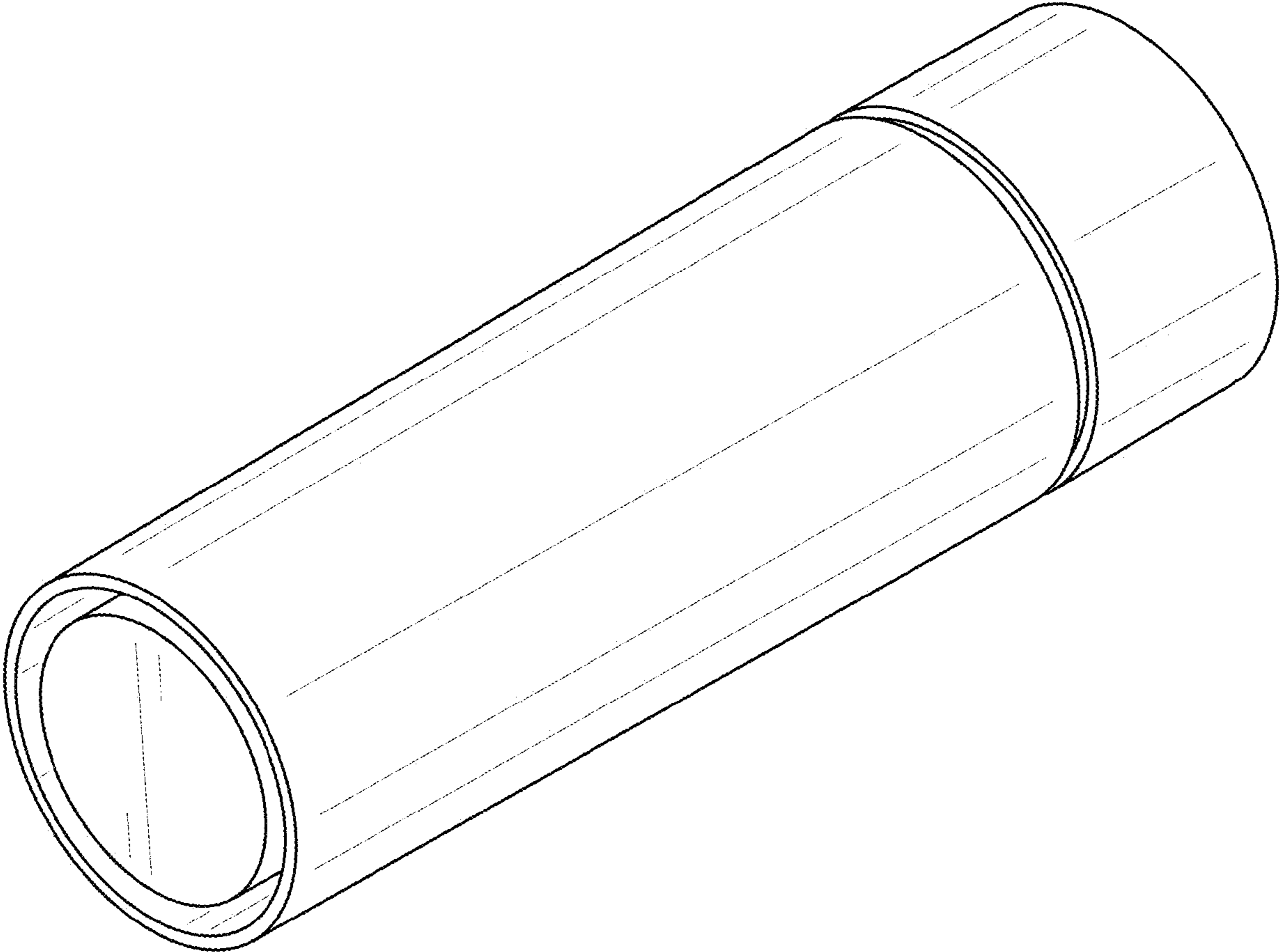


FIG. 1

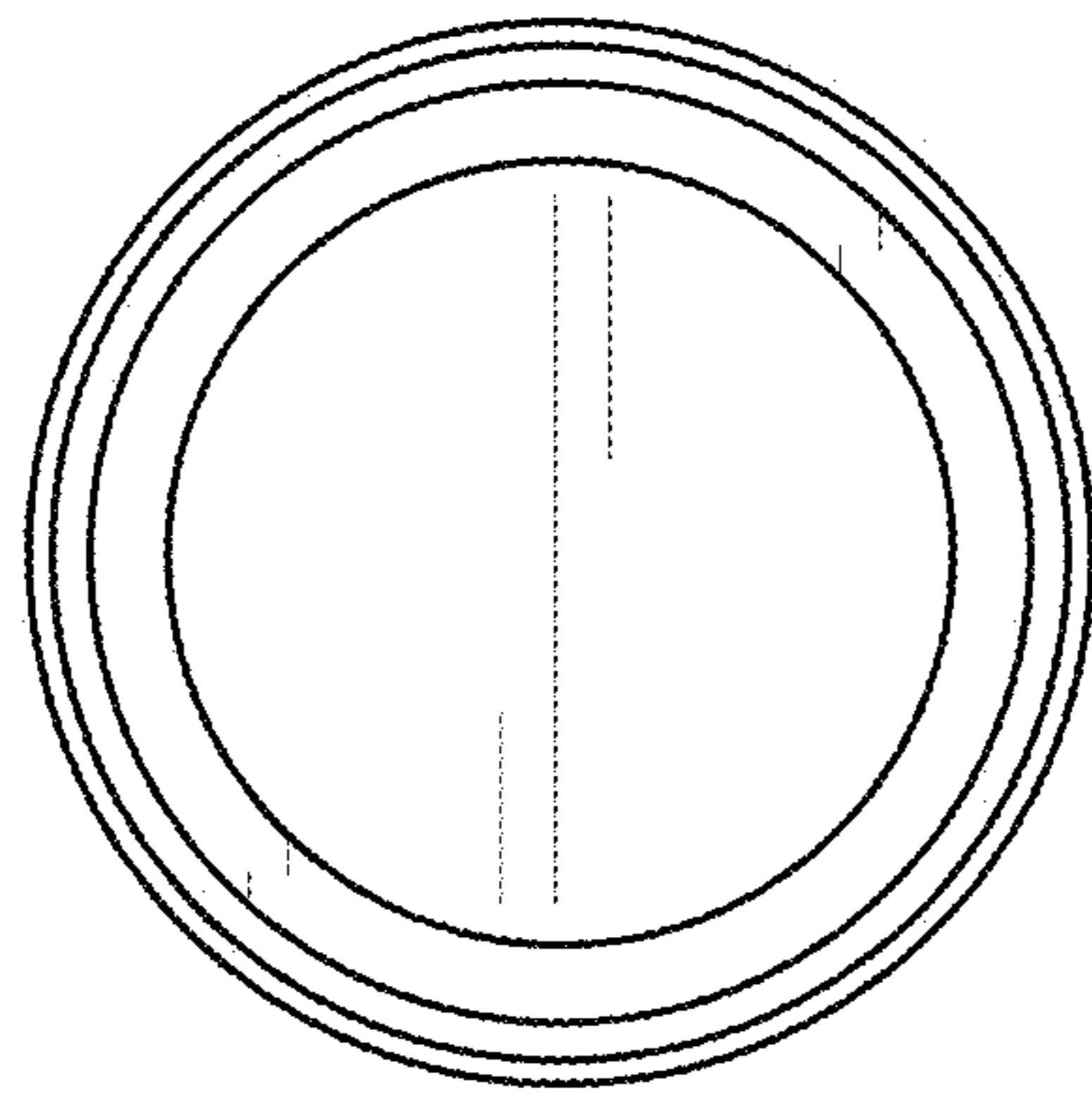


FIG. 2

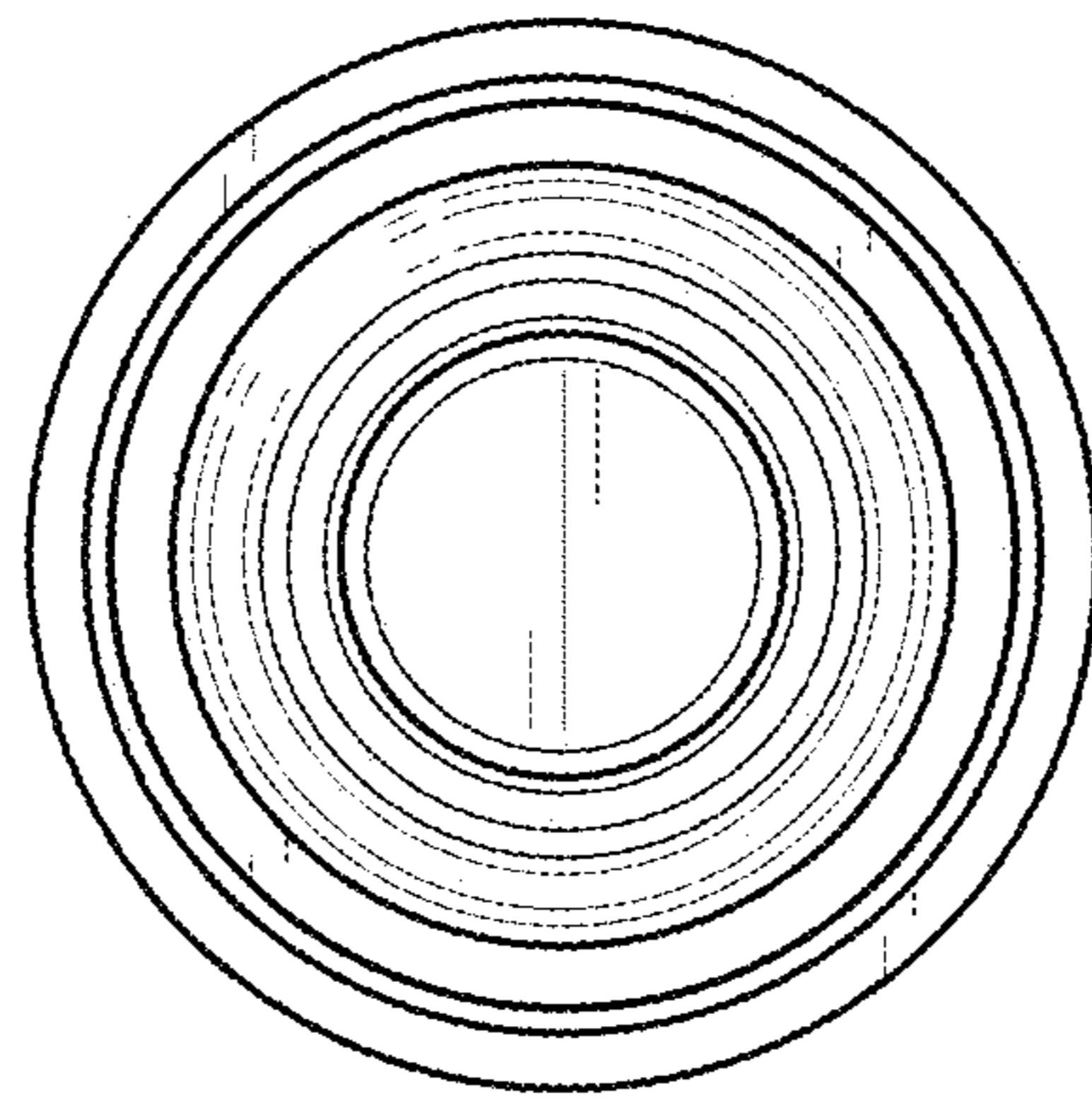


FIG. 3

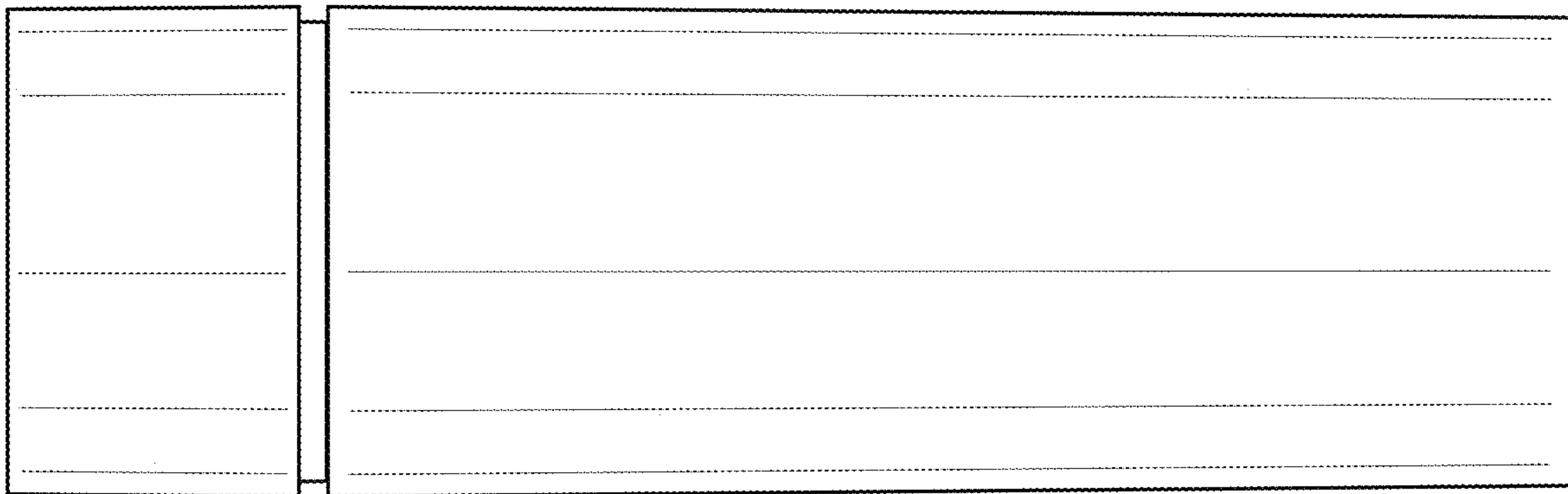


FIG. 4

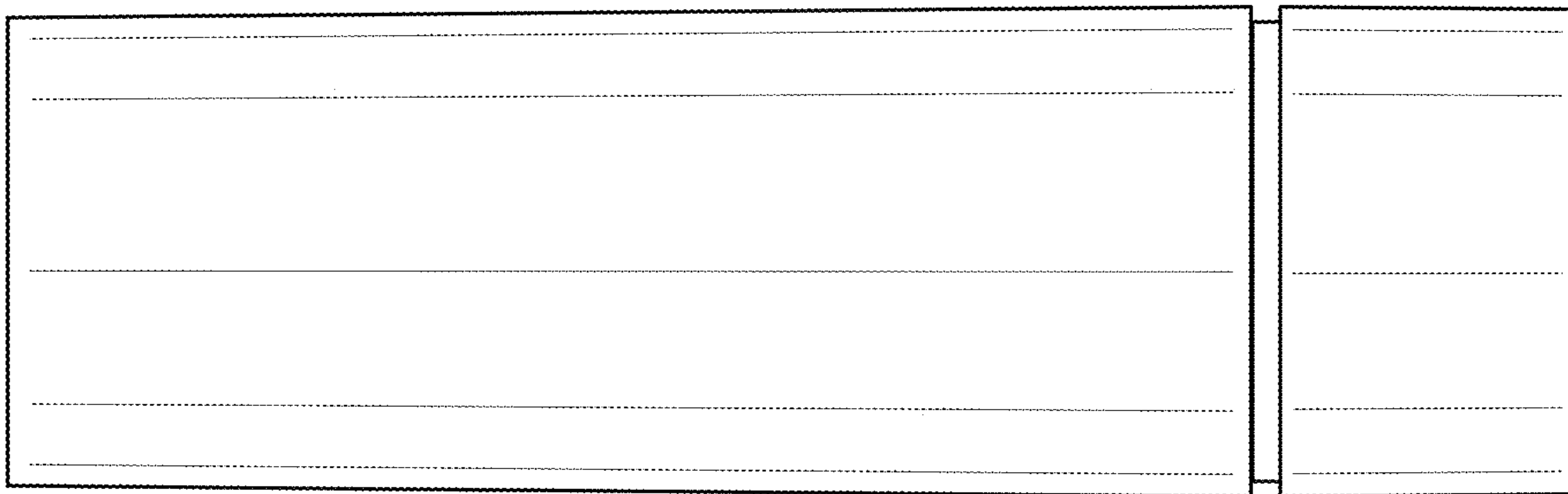


FIG. 5

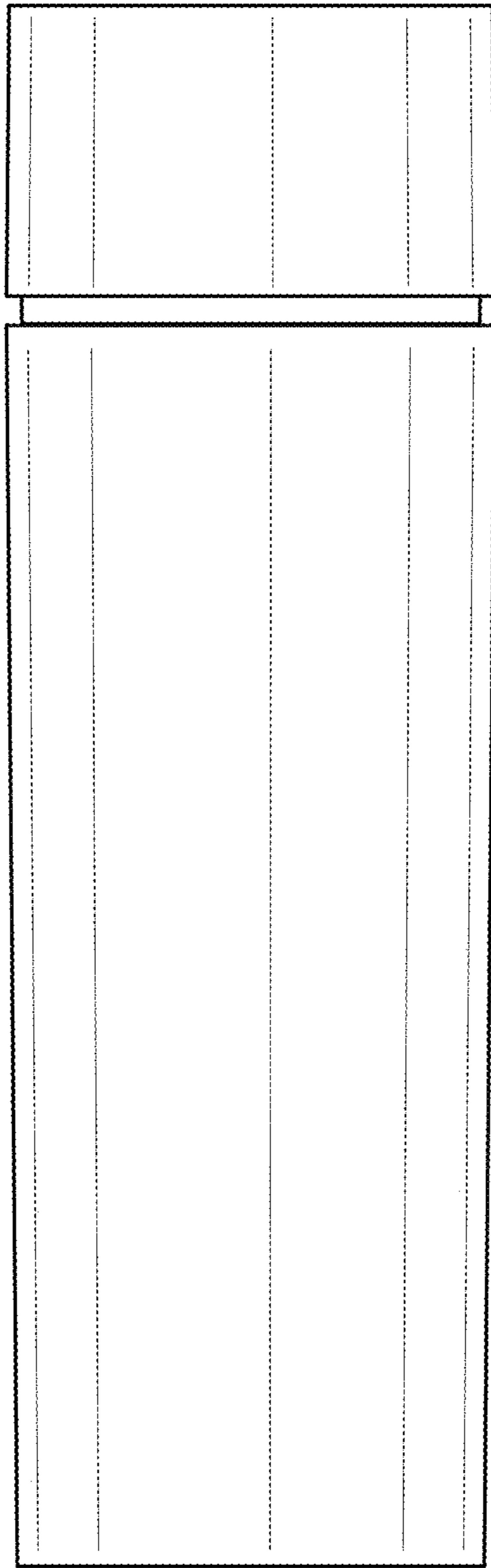


FIG. 6

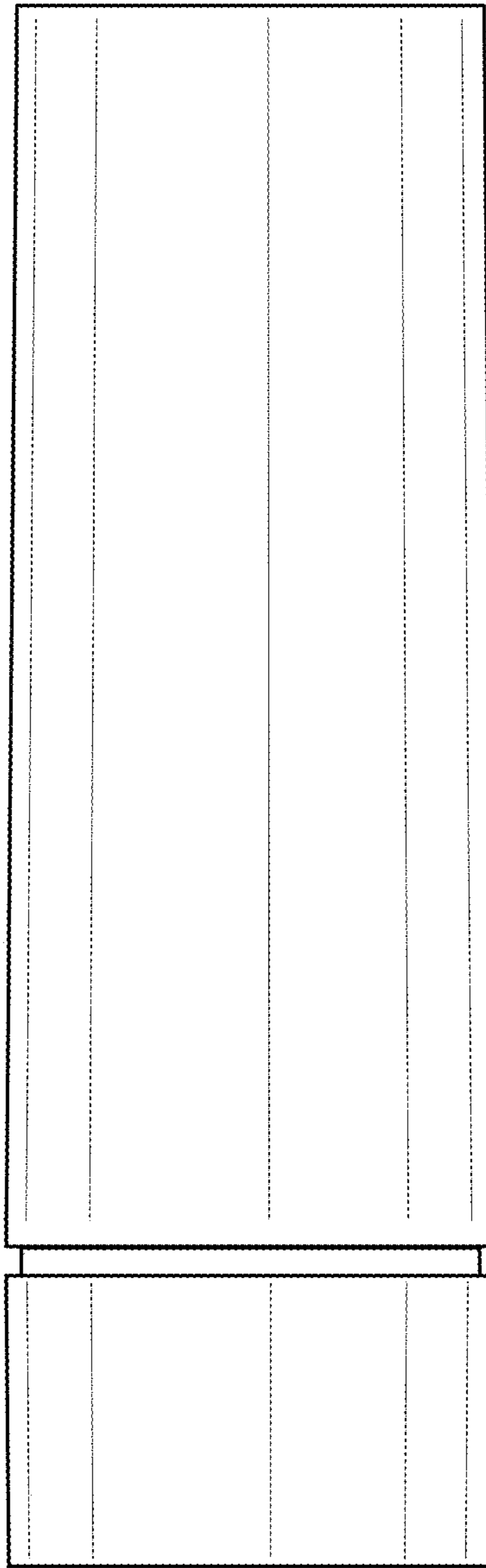


FIG. 7

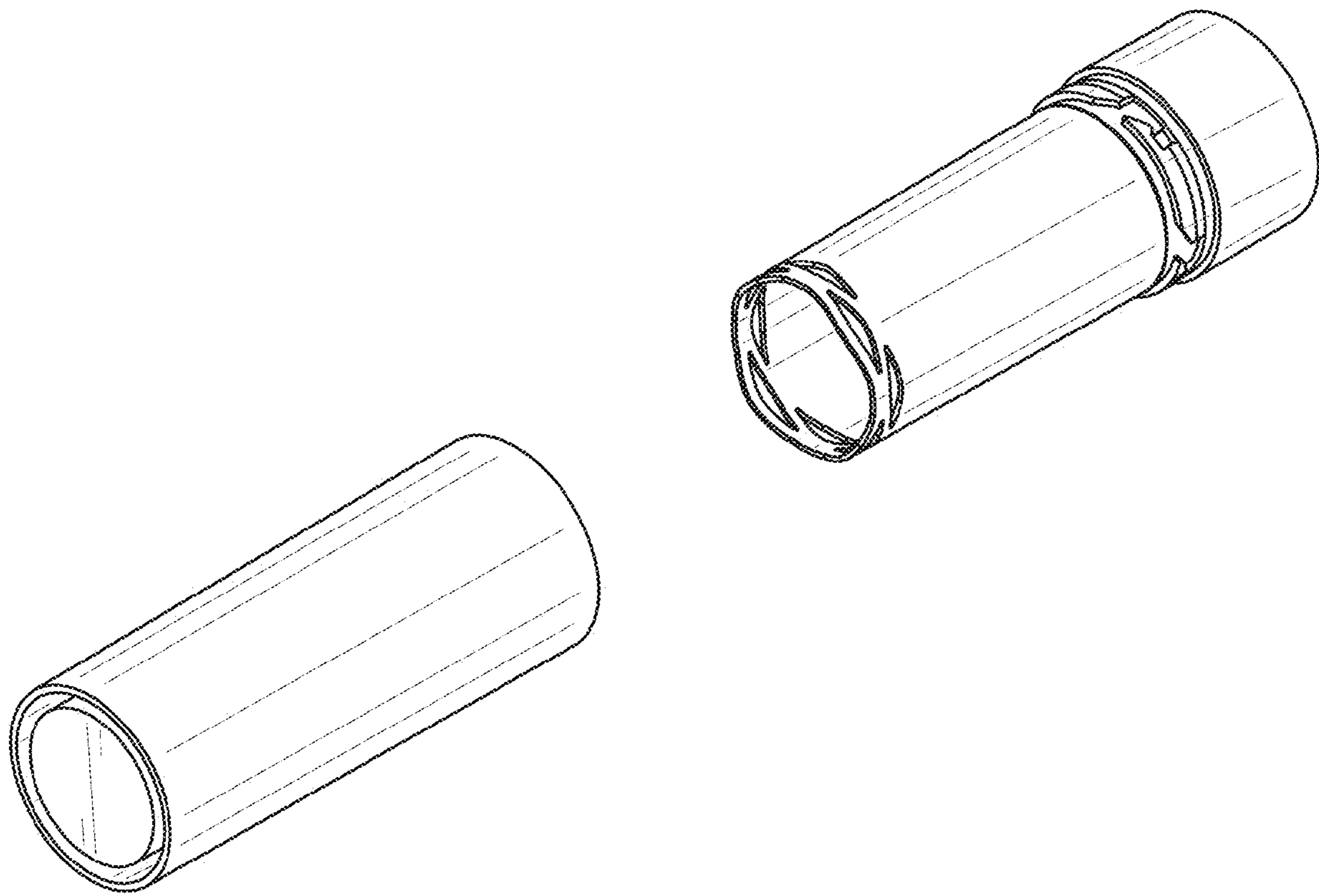


FIG. 8

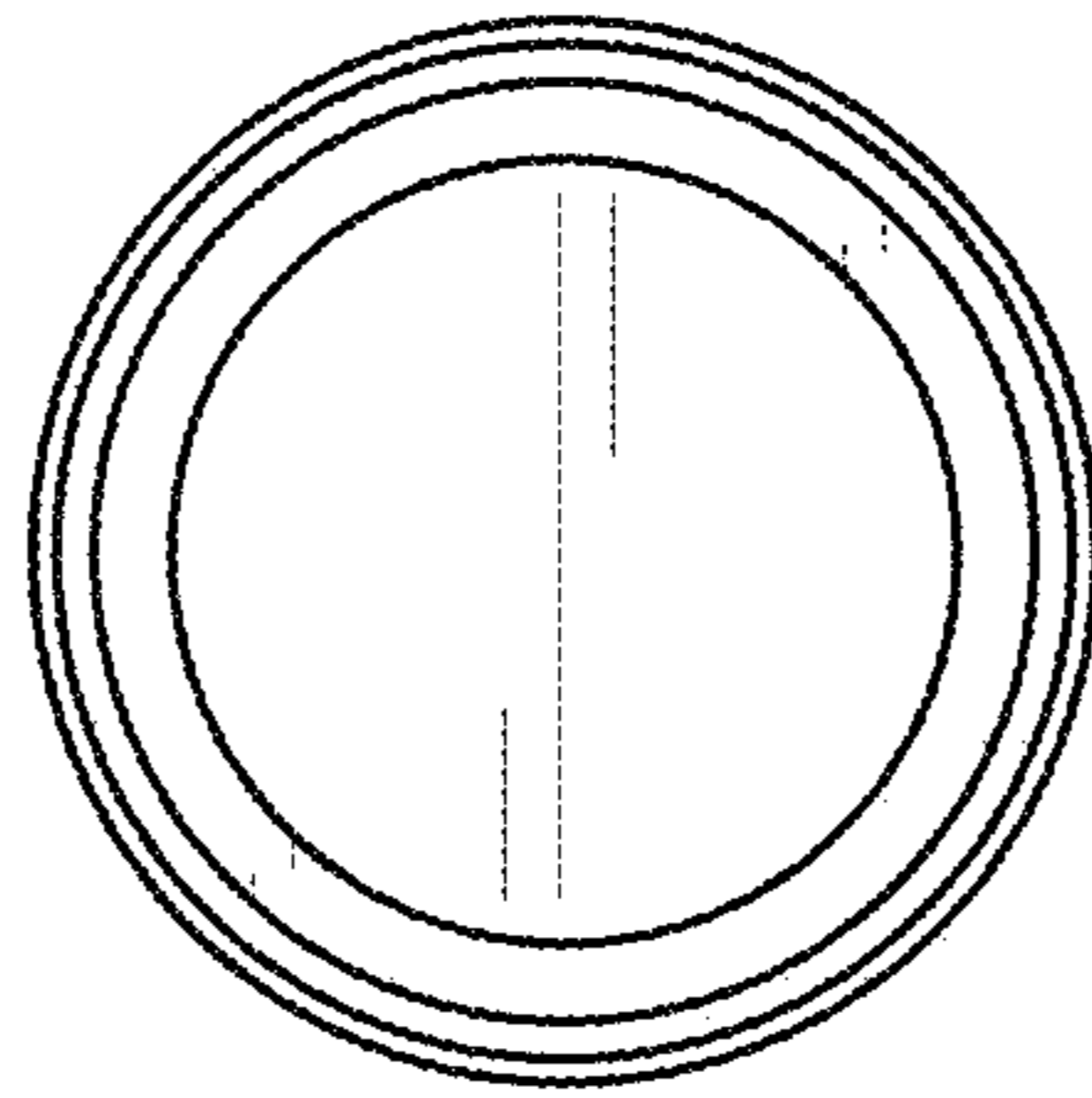


FIG. 9

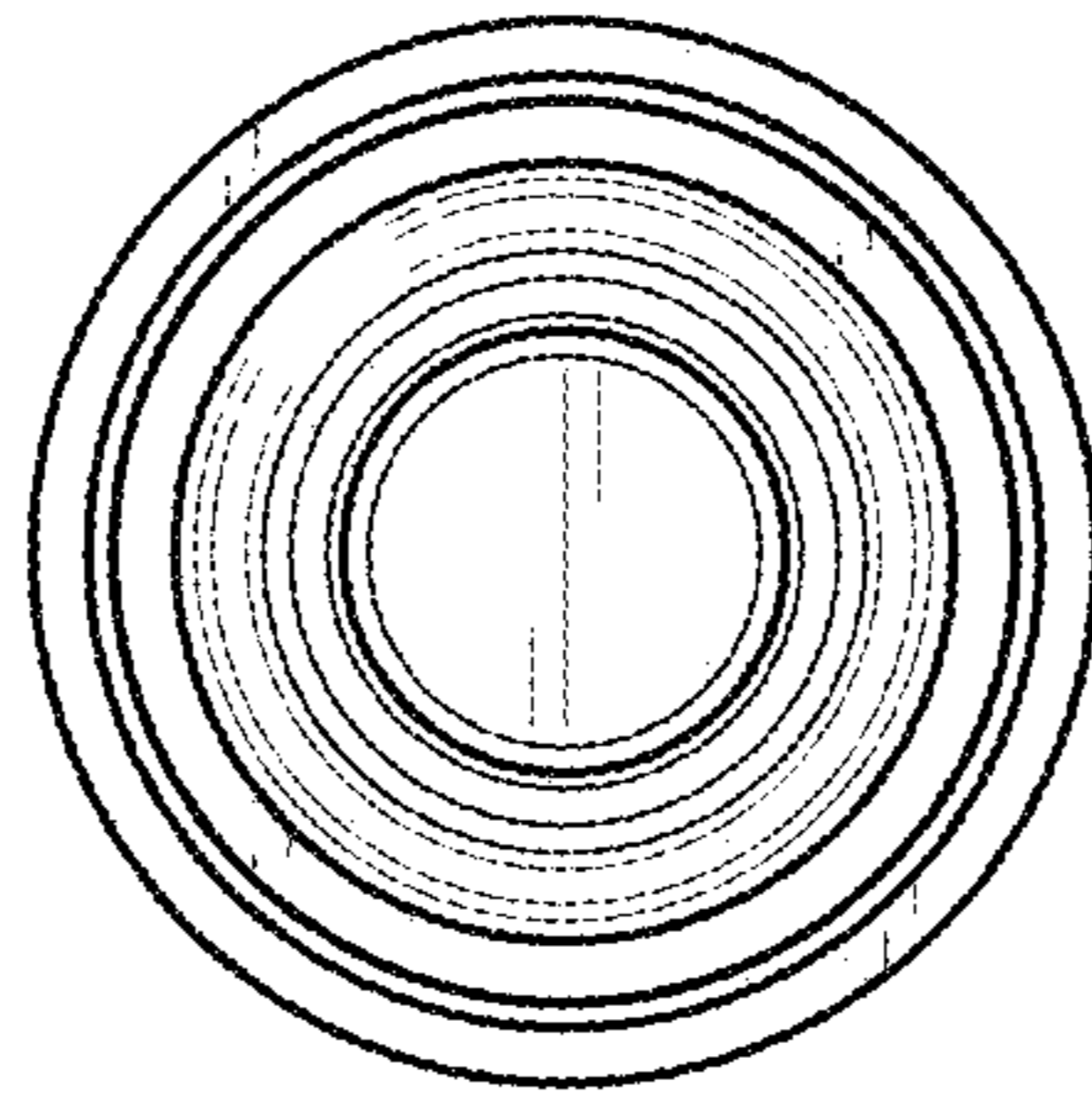


FIG. 10

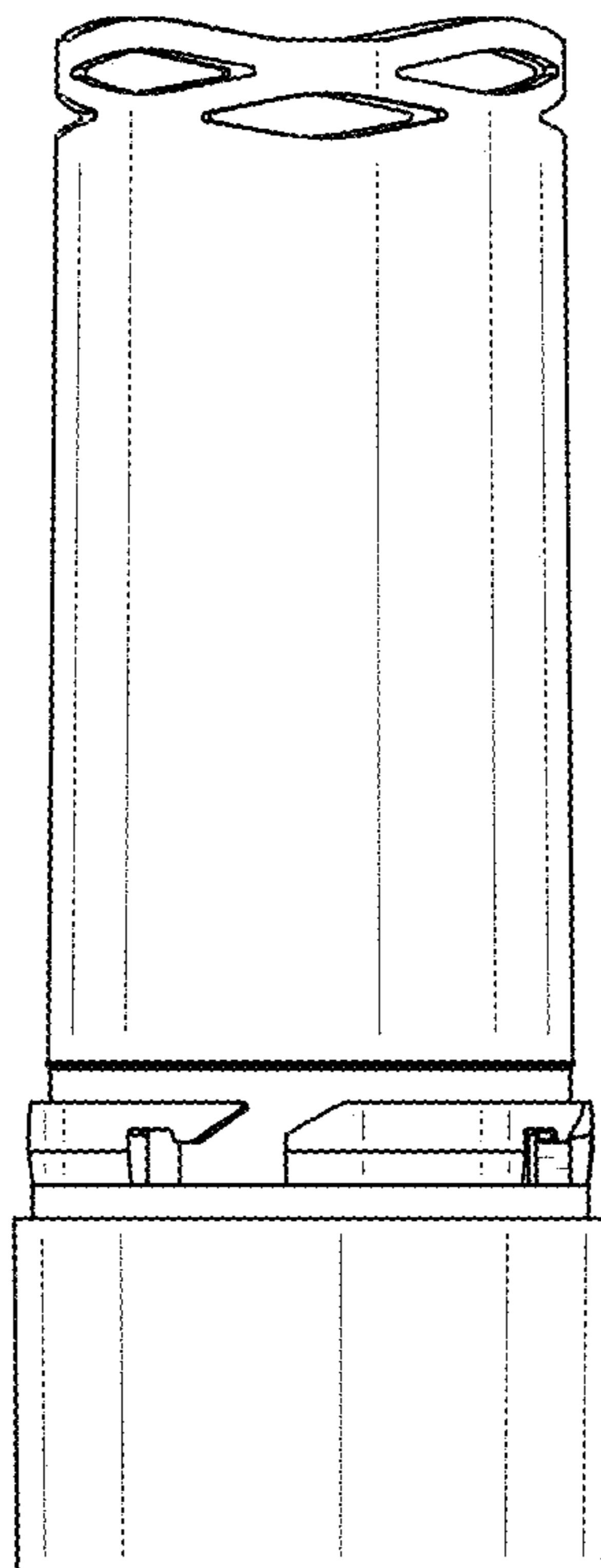
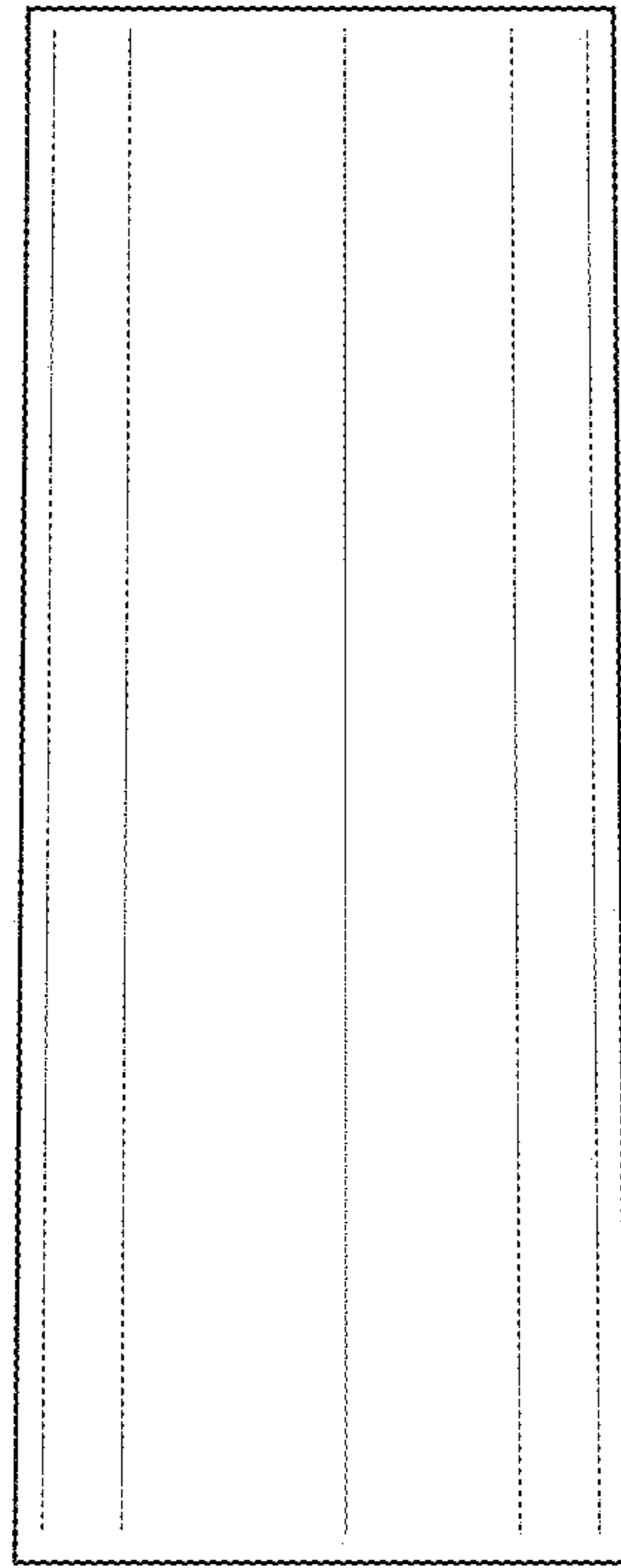


FIG. 11

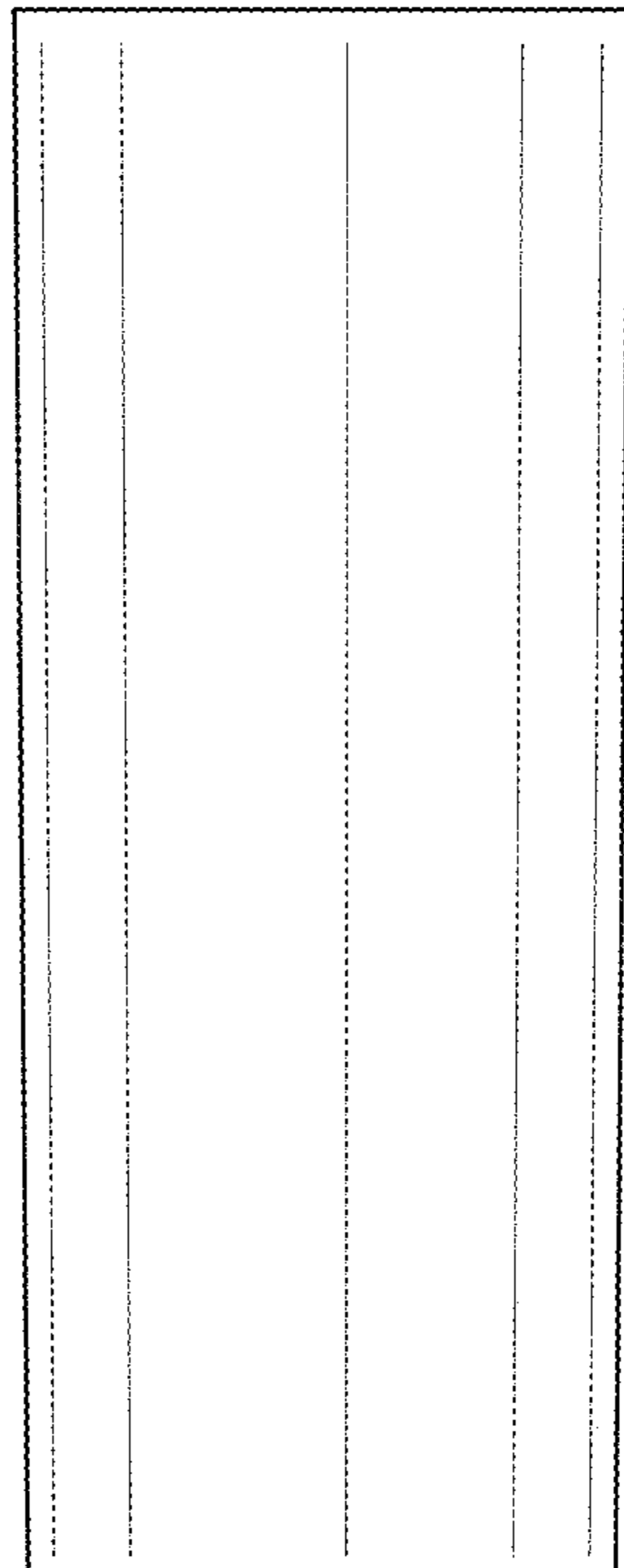
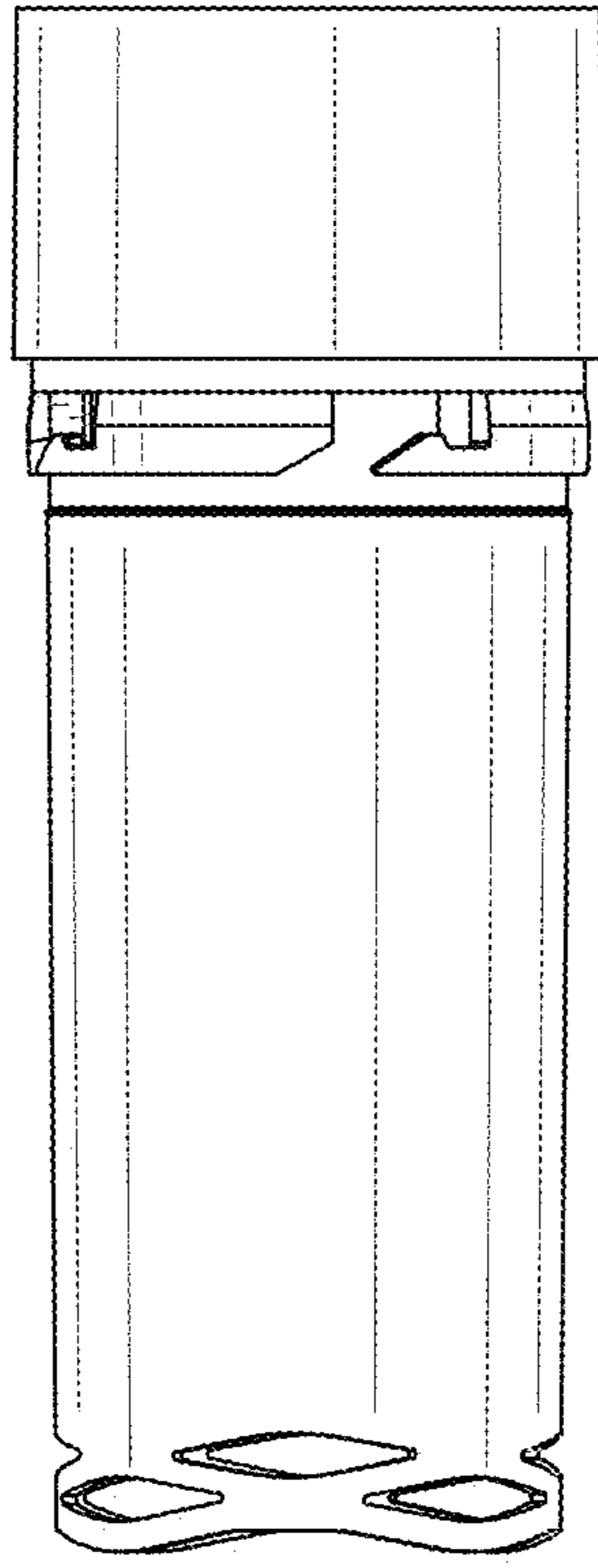


FIG. 12

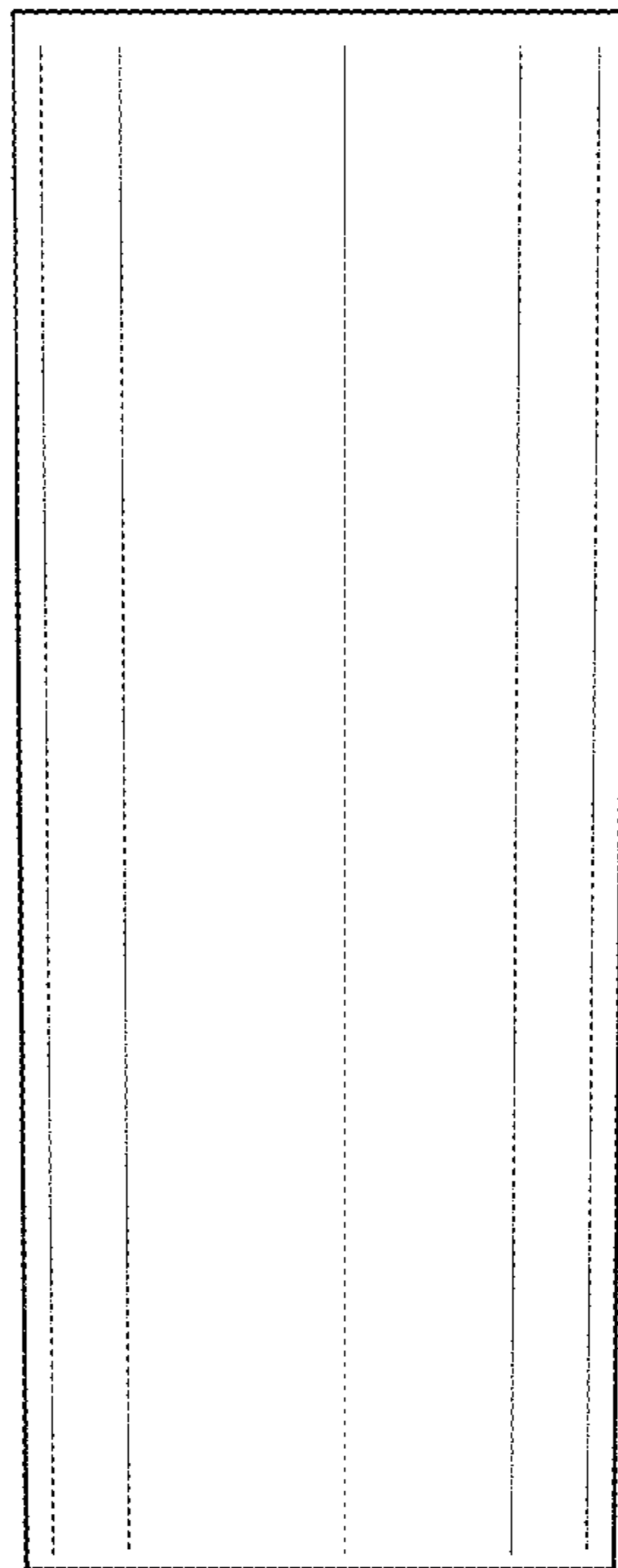
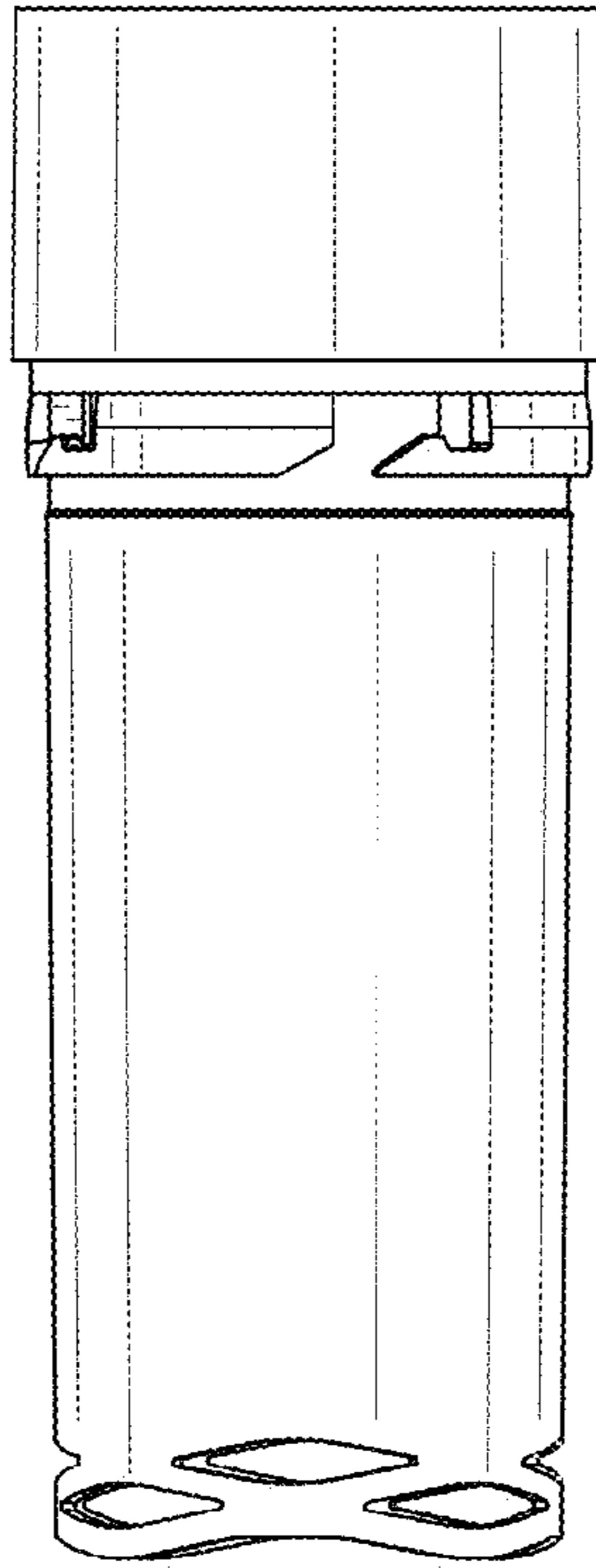


FIG. 13

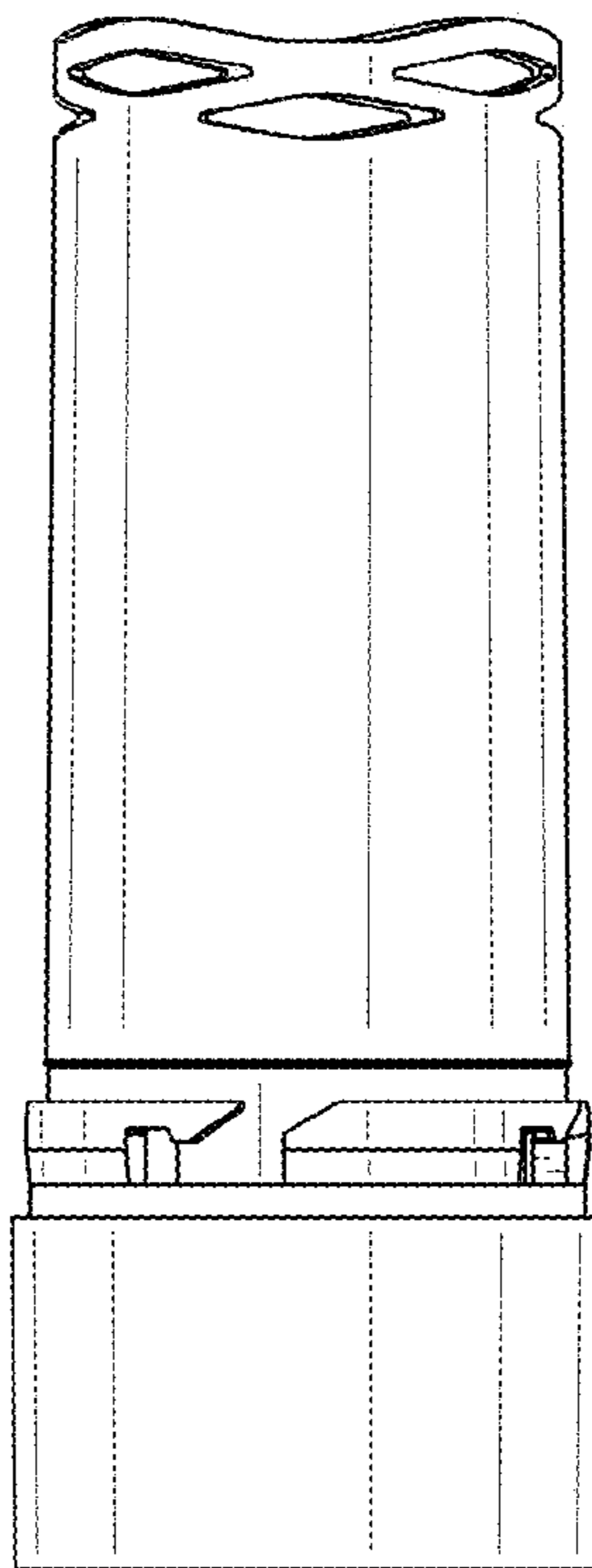
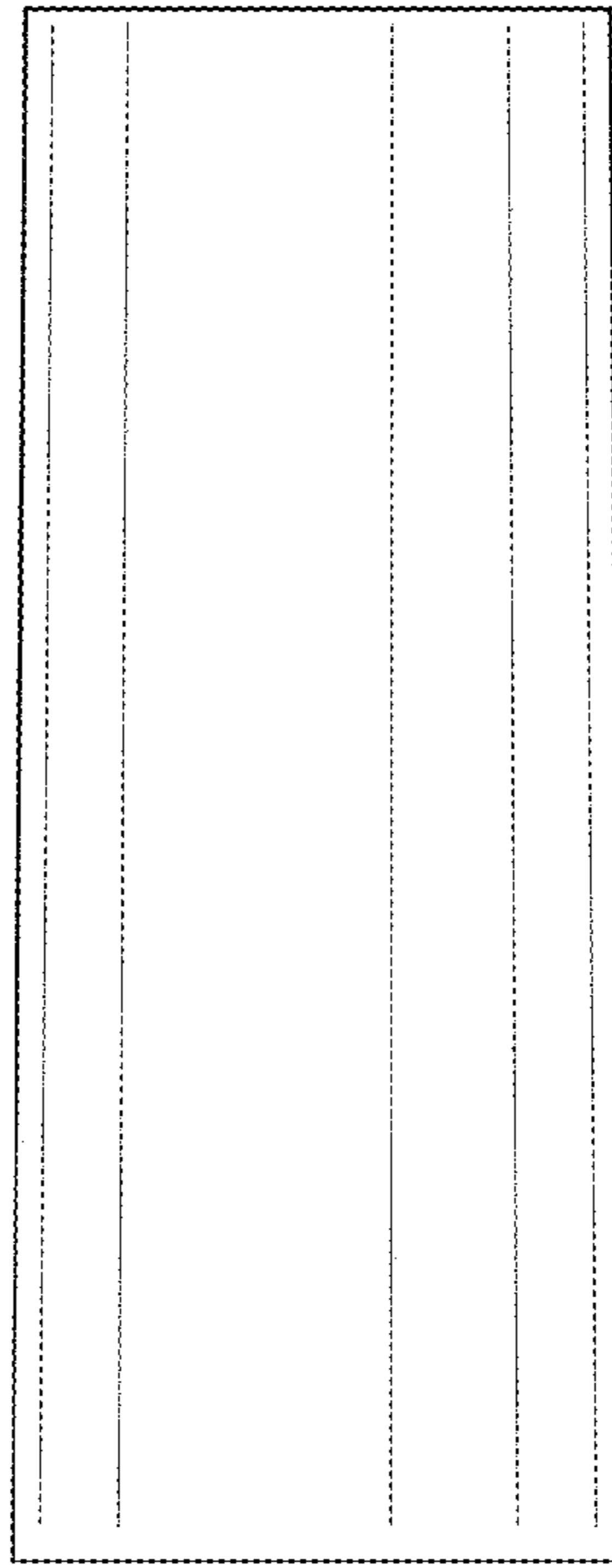


FIG. 14