



US00D923486S

(12) **United States Design Patent** (10) **Patent No.:** **US D923,486 S**
Amdor et al. (45) **Date of Patent:** **** Jun. 29, 2021**

(54) **SACHET PACKAGE**

75/5085; B65D 65/00; B65D 65/10;
B65D 65/38; B65D 81/00; B65D 81/24

See application file for complete search history.

(71) Applicant: **Blue Buffalo Enterprises, Inc.**, Wilton,
CT (US)

(56) **References Cited**

(72) Inventors: **Aaron Amdor**, Delano, MN (US);
Ryan Joseph Boudreaux, Yorktown
Hts., NY (US); **Catherine Cheek**,
Stamford, CT (US); **Anthony W**
Swenson, Blaine, MN (US); **Tal A**
Tostenson, Rogers, MN (US)

U.S. PATENT DOCUMENTS

D286,504 S	11/1986	Loesser et al.	
D347,168 S	5/1994	Smith	
D610,467 S	2/2010	Kozarsky	
D619,478 S	7/2010	Drewnowski et al.	
D735,584 S *	8/2015	Berlepsch	D9/710
D768,006 S *	10/2016	Pitts	D9/702
D814,296 S *	4/2018	Collins	D9/433
D913,805 S *	3/2021	Pitts	D9/702

(Continued)

(73) Assignee: **Blue Buffalo Enterprises, Inc.**, Wilton,
CT (US)

FOREIGN PATENT DOCUMENTS

(**) Term: **15 Years**

DE	202007005487	7/2007
FR	2814440	3/2002

(Continued)

(21) Appl. No.: **29/720,549**

Primary Examiner — Abraham Bahta

(22) Filed: **Jan. 14, 2020**

(74) *Attorney, Agent, or Firm* — Diederiks & Whitelaw,
PLC; Annette M. Frawley Esq.

(51) **LOC (13) Cl.** **09-05**

(52) **U.S. Cl.**
USPC **D9/707**

(57) **CLAIM**

(58) **Field of Classification Search**

The ornamental design for a sachet package, as shown and
described.

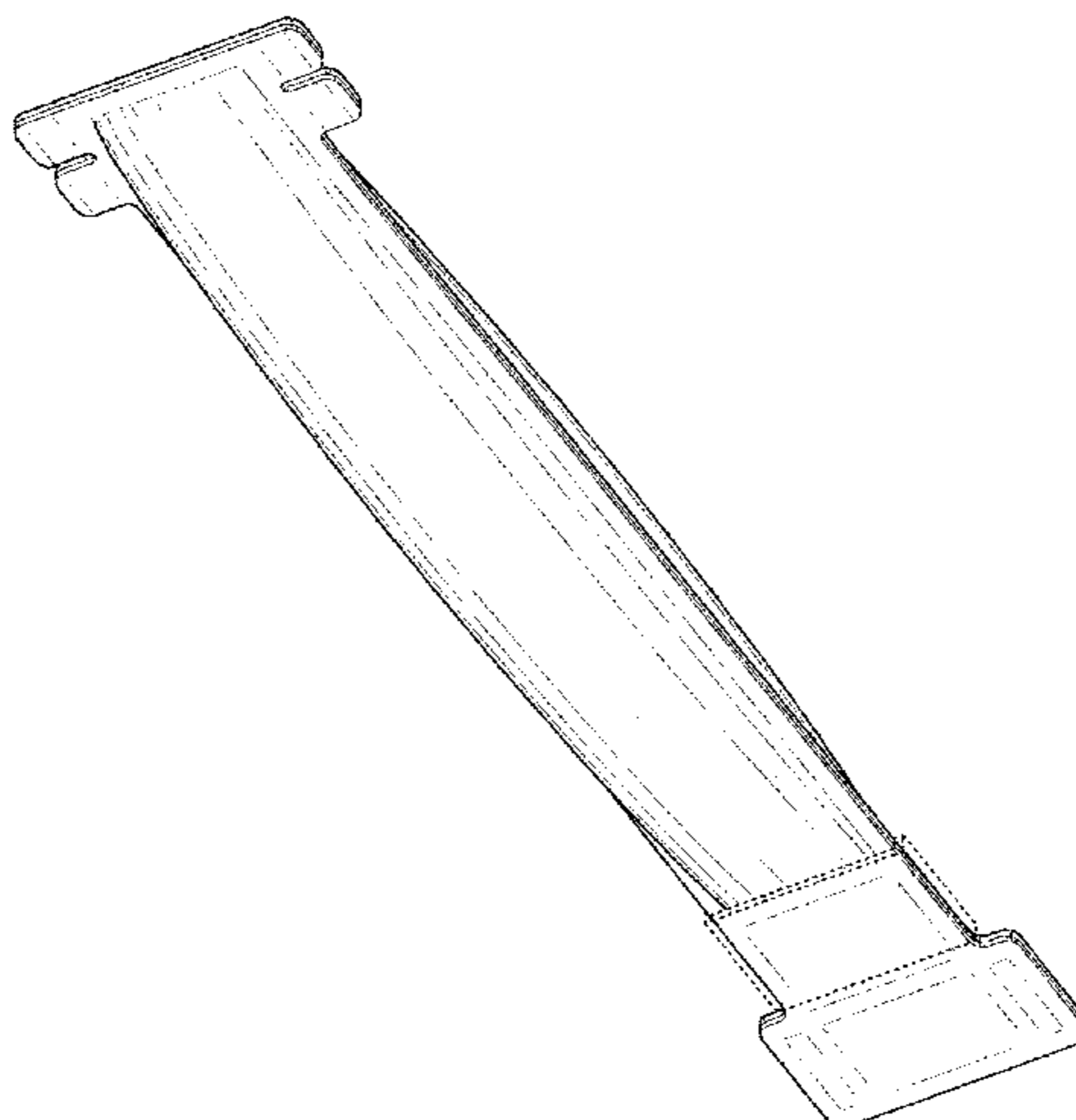
USPC D9/702-714, 720-722, 414, 434-435,
D9/696, 716, 771, 447, 522, 571-575,
D9/682, 738-747, 516-517, 529-530,
D9/547-549, 569, 537-538, 544,
D9/503-505, 545, 440, 444; 383/6, 9,
383/22, 96, 61.1, 80-81, 104, 901, 63,
383/203, 107, 119, 120, 123, 108, 904,
383/906-907; D24/118, 207; 222/107,
222/92, 206; 604/408, 410, 403;
220/495.03, 669, 675; 215/381-385,
215/12.1; D3/202, 303, 232, 244

CPC B65D 35/00; B65D 35/08; B65D 85/72;
B65D 75/00; B65D 75/58; B65D

DESCRIPTION

FIG. 1 is a perspective view of a sachet package according
to our new design;
FIG. 2 is a front view of the sachet package;
FIG. 3 is a rear view of the sachet package;
FIG. 4 is a left view of the sachet package;
FIG. 5 is a right view of the sachet package;
FIG. 6 is a top view of the sachet package; and,
FIG. 7 is a bottom view of the sachet package.
In FIGS. 1-7, broken lines are used to disclose environment
structures related to the claimed design for illustrative
purposes and form no part of the claimed design. The broken

(Continued)



lines in FIGS. 1-7 are used to show a sleeve wrapped around and slidable along the package for illustrative purposes only.

1 Claim, 3 Drawing Sheets

(56) **References Cited**

U.S. PATENT DOCUMENTS

2008/0056623 A1 3/2008 Shubilla
2014/0061235 A1 3/2014 Ankudinov
2018/0257836 A1 9/2018 McGuire et al.

FOREIGN PATENT DOCUMENTS

GB 2466248 6/2010
WO WO 1999/044905 9/1999

* cited by examiner

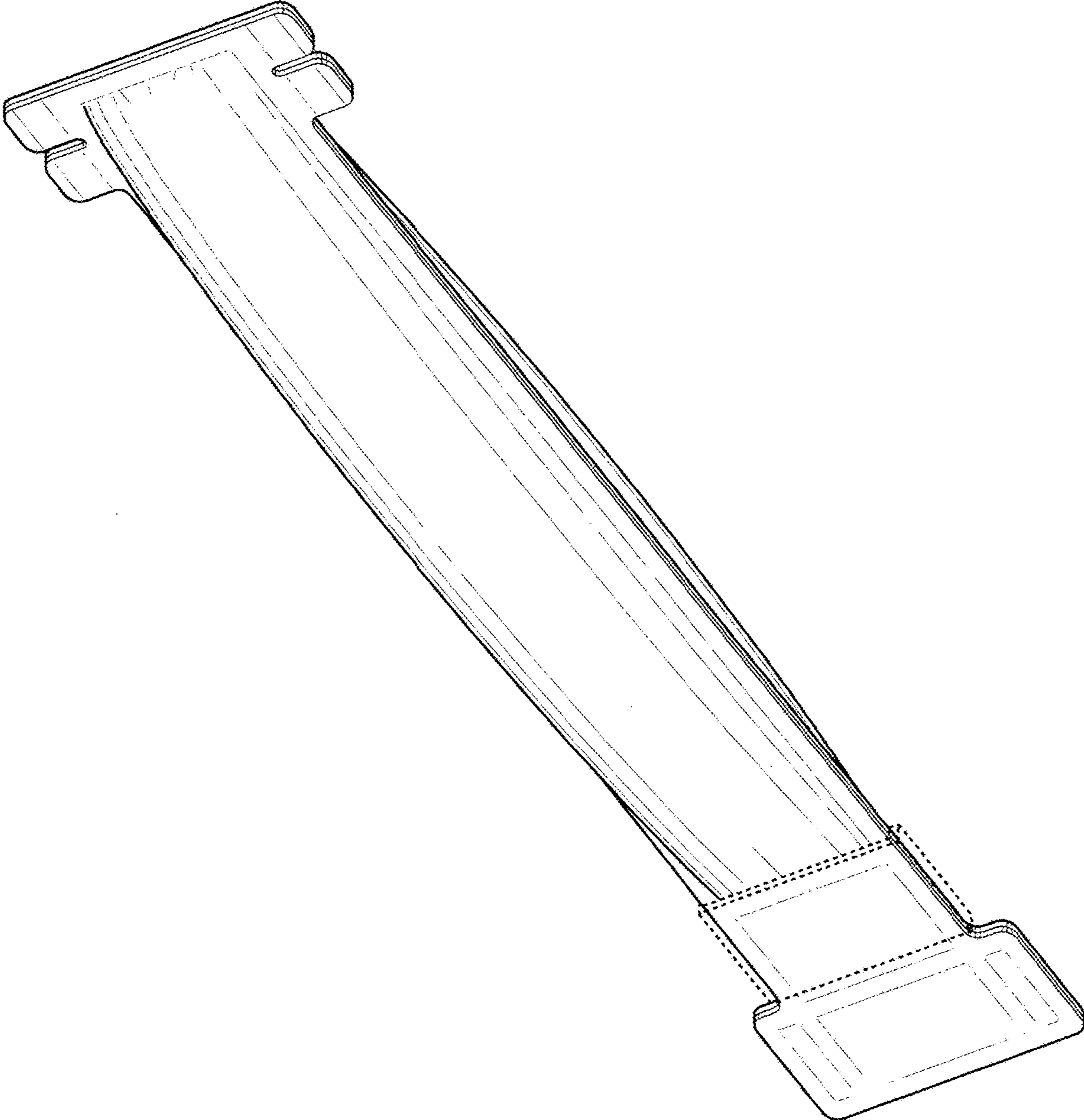


FIG. 1

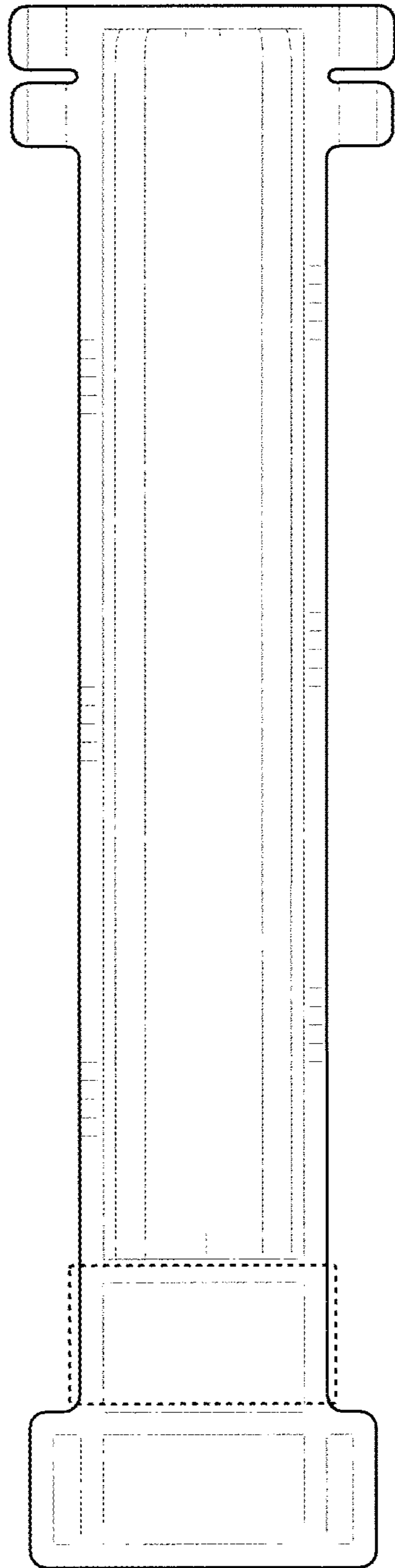


FIG. 2

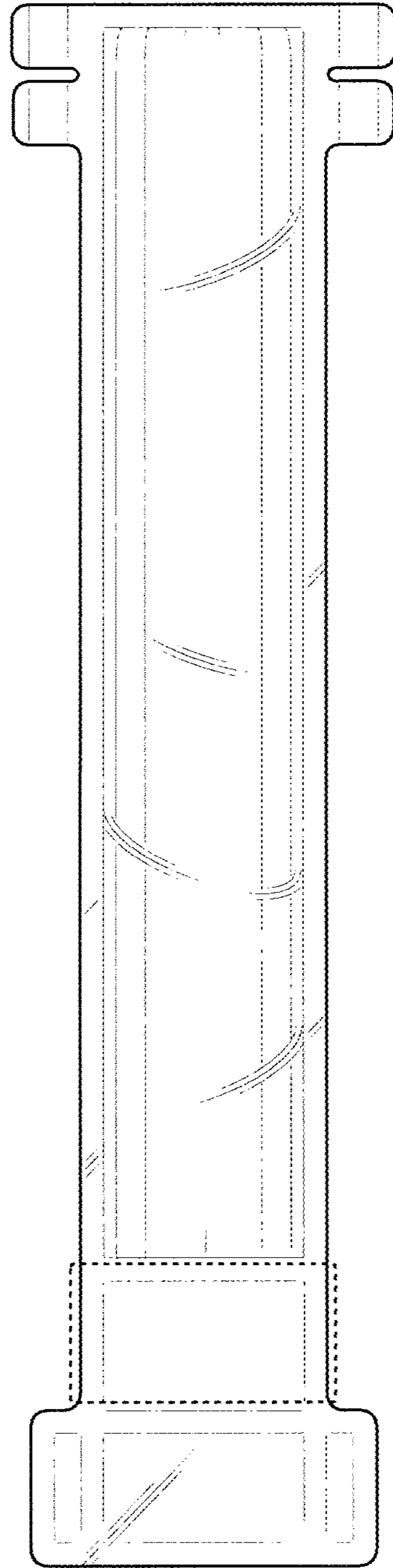


FIG. 3

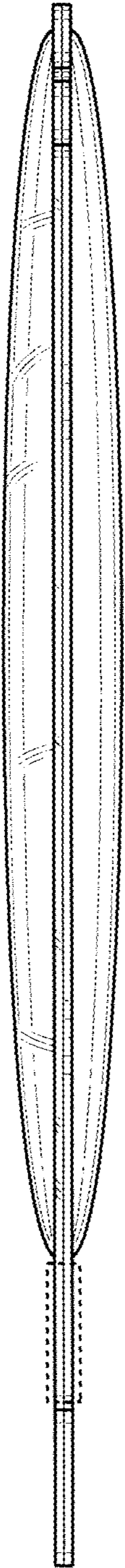


FIG. 4

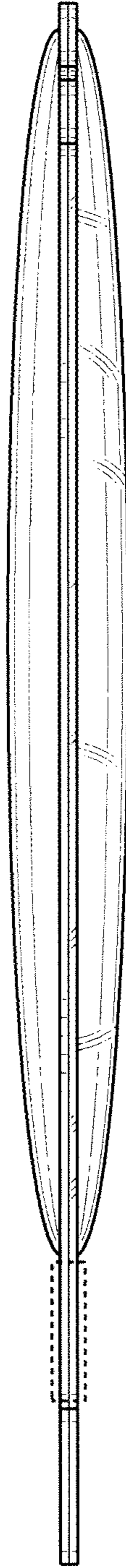


FIG. 5



FIG. 6

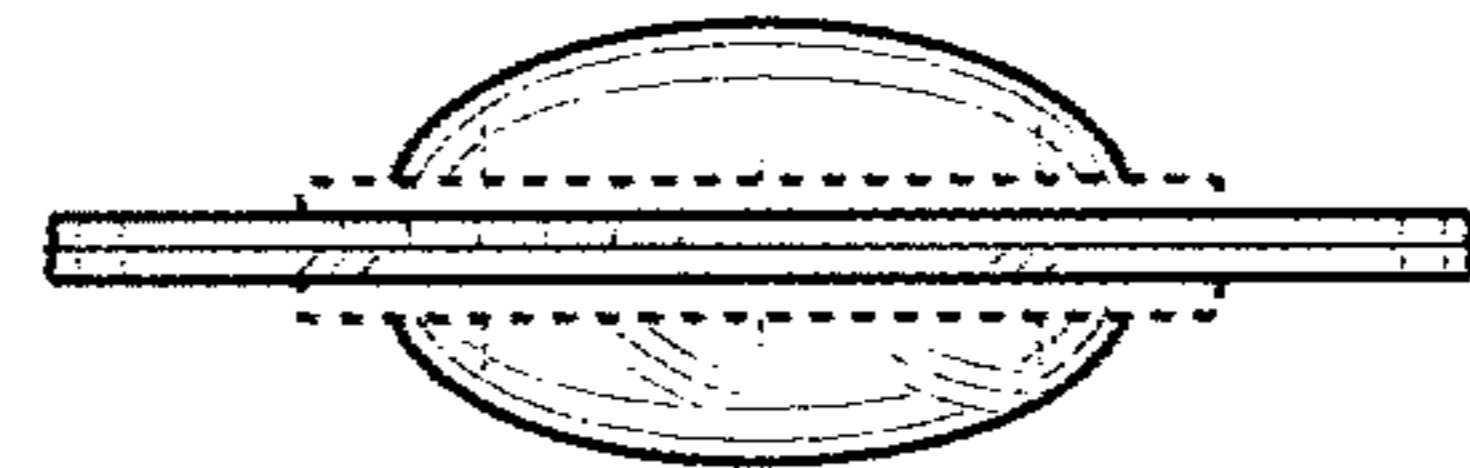


FIG. 7