



US00D923485S

(12) **United States Design Patent**
Galvez

(10) **Patent No.:** **US D923,485 S**

(45) **Date of Patent:** **** Jun. 29, 2021**

(54) **PERFUME BOTTLE**

(71) Applicant: **Carolina Herrera Ltd**, New York, NY (US)

(72) Inventor: **Jean-Marc Galvez**, Paris (FR)

(73) Assignee: **CAROLINA HERRERA LTD.**, New York, NY (US)

(**) Term: **15 Years**

(21) Appl. No.: **35/508,904**

(22) Filed: **Jan. 30, 2020**

(80) **Hague Agreement Data**

Int. Filing Date: **Jan. 30, 2020**

Int. Reg. No.: **DM/206585**

Int. Reg. Date: **Jan. 30, 2020**

Int. Reg. Pub. Date: **Mar. 27, 2020**

(51) **LOC (13) Cl.** **09-01**

(52) **U.S. Cl.**
USPC **D9/668**

(58) **Field of Classification Search**
USPC D9/600, 668, 672
CPC B65D 13/02; B65D 39/0047; B65D 39/0035;
B65D 39/0094

See application file for complete search history.

(56) **References Cited**

U.S. PATENT DOCUMENTS

D182,661 S *	4/1958	Horowitz	D9/672
D243,206 S *	1/1977	Sherwood	D21/765
D326,701 S *	6/1992	DelBosque	D21/765
D530,384 S *	10/2006	Harrington	D21/765
D722,889 S *	2/2015	Cline	D9/672

* cited by examiner

Primary Examiner — Michael A. Pratt

(74) *Attorney, Agent, or Firm* — Porzio Bromberg & Newman P.C.

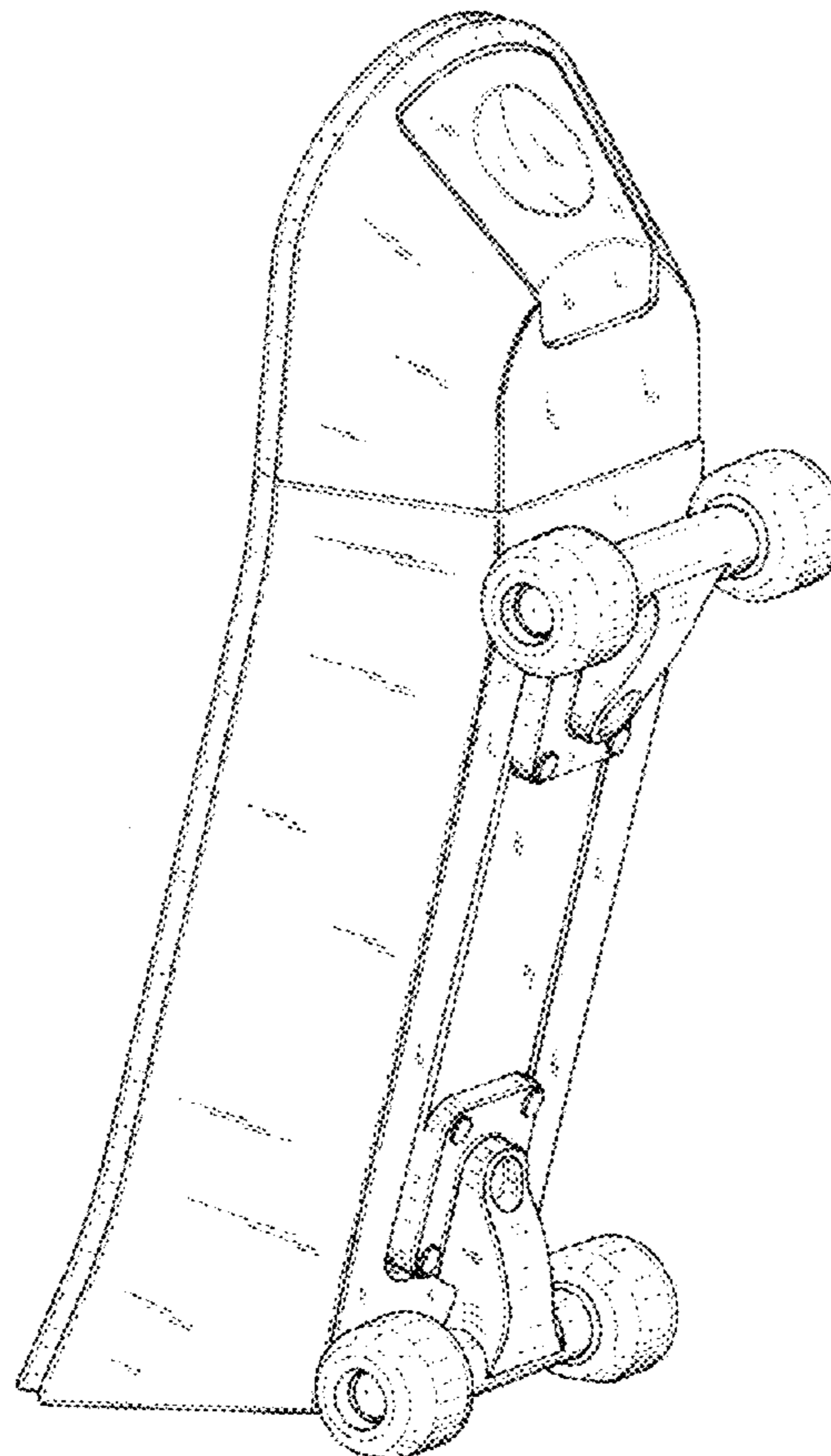
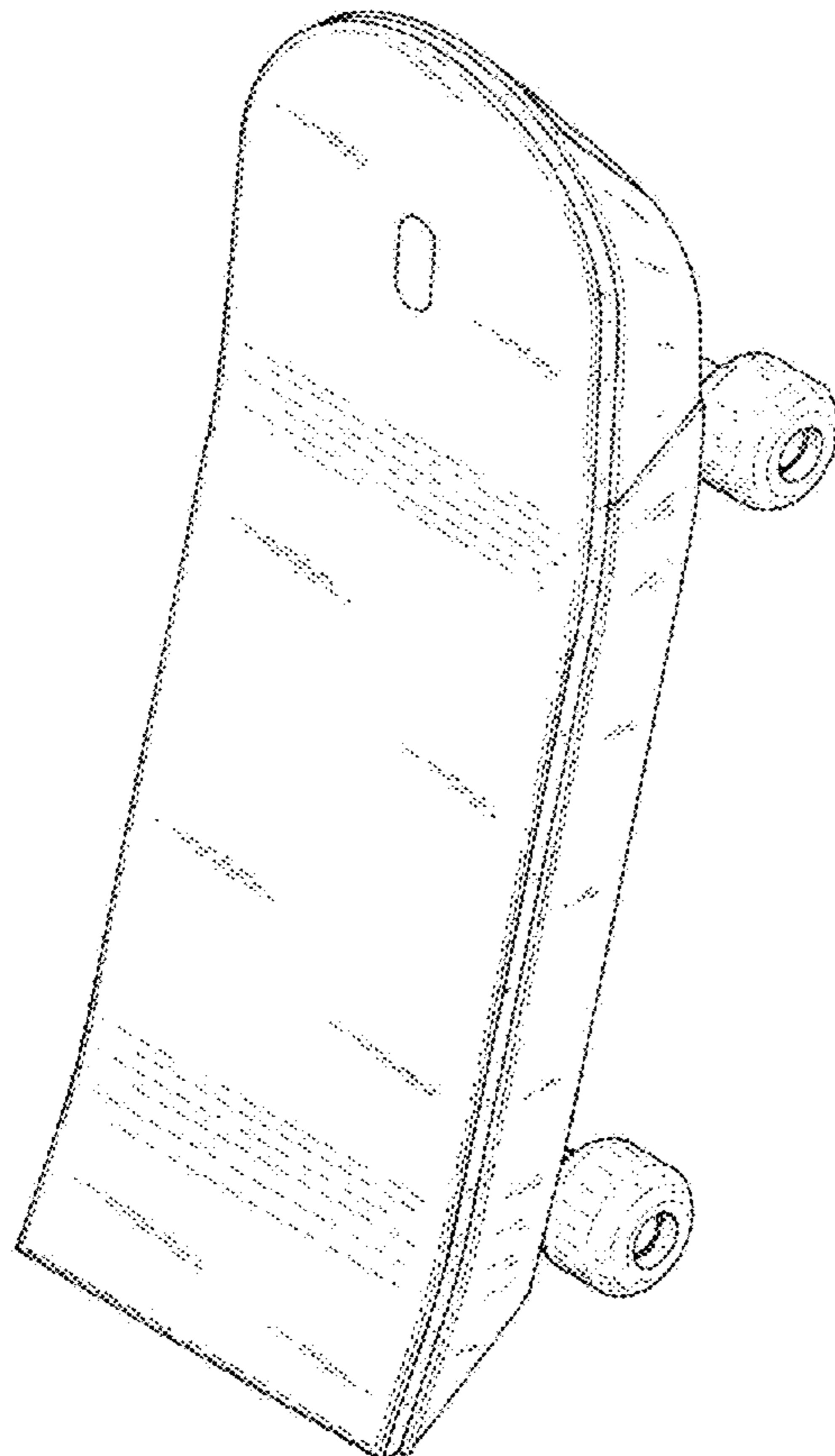
(57) **CLAIM**

The ornamental design for a perfume bottle, as shown and described.

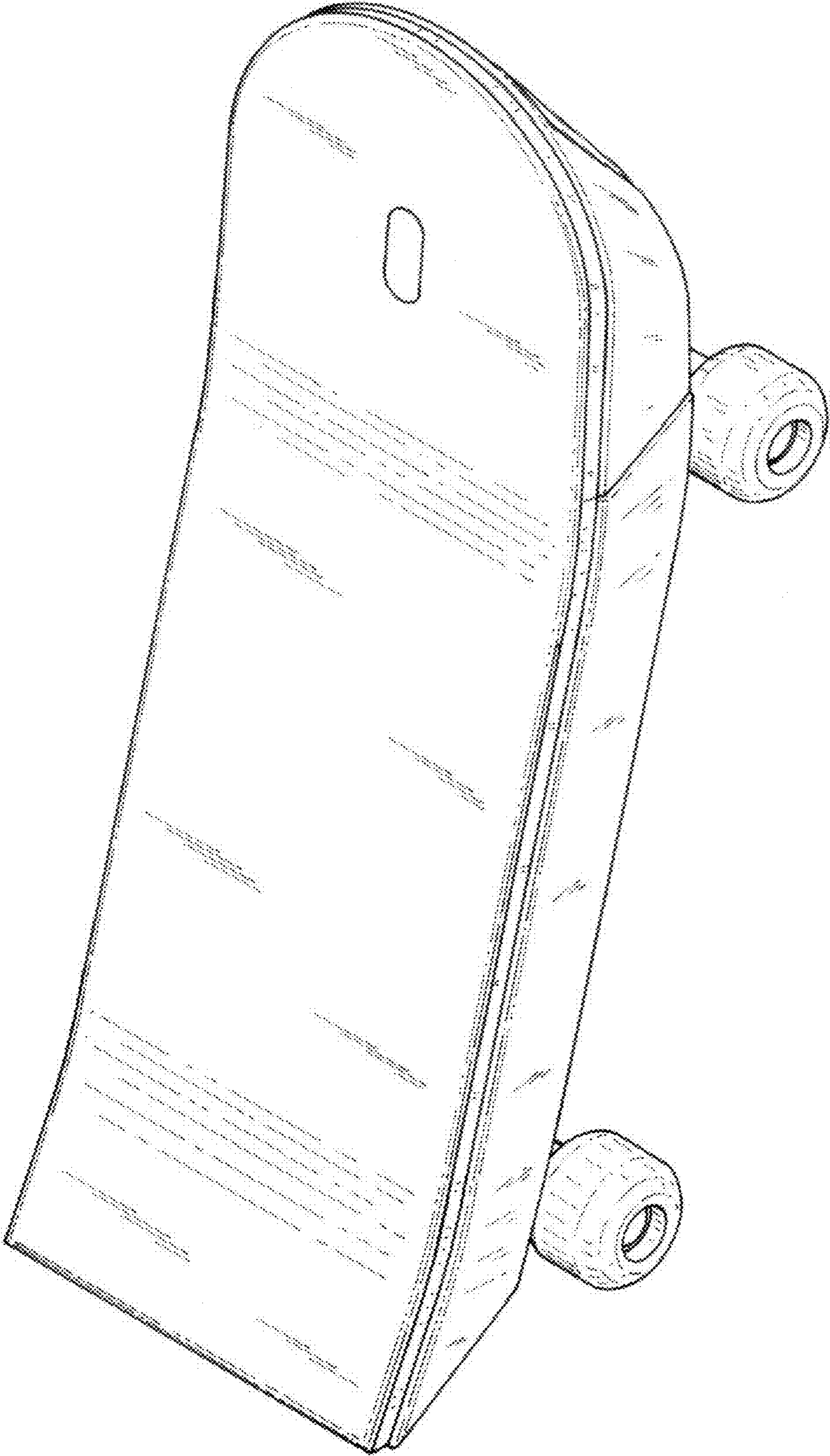
DESCRIPTION

- 1. Perfume bottle
- 1.1 : Perspective
- 1.2 : Perspective
- 1.3 : Front
- 1.4 : Left
- 1.5 : Top
- 1.6 : Right
- 1.7 : Bottom
- 1.8 : Back

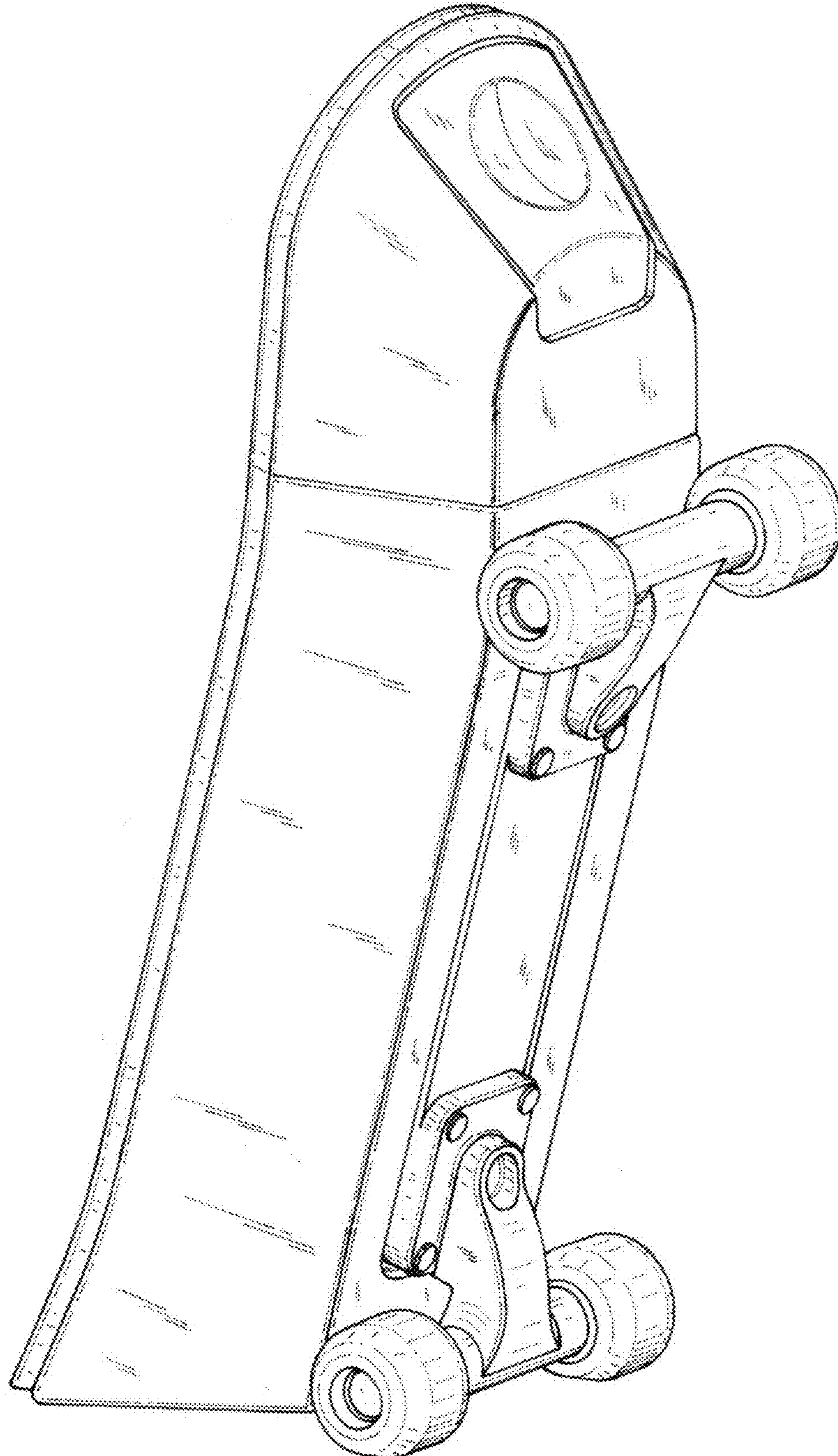
1 Claim, 8 Drawing Sheets



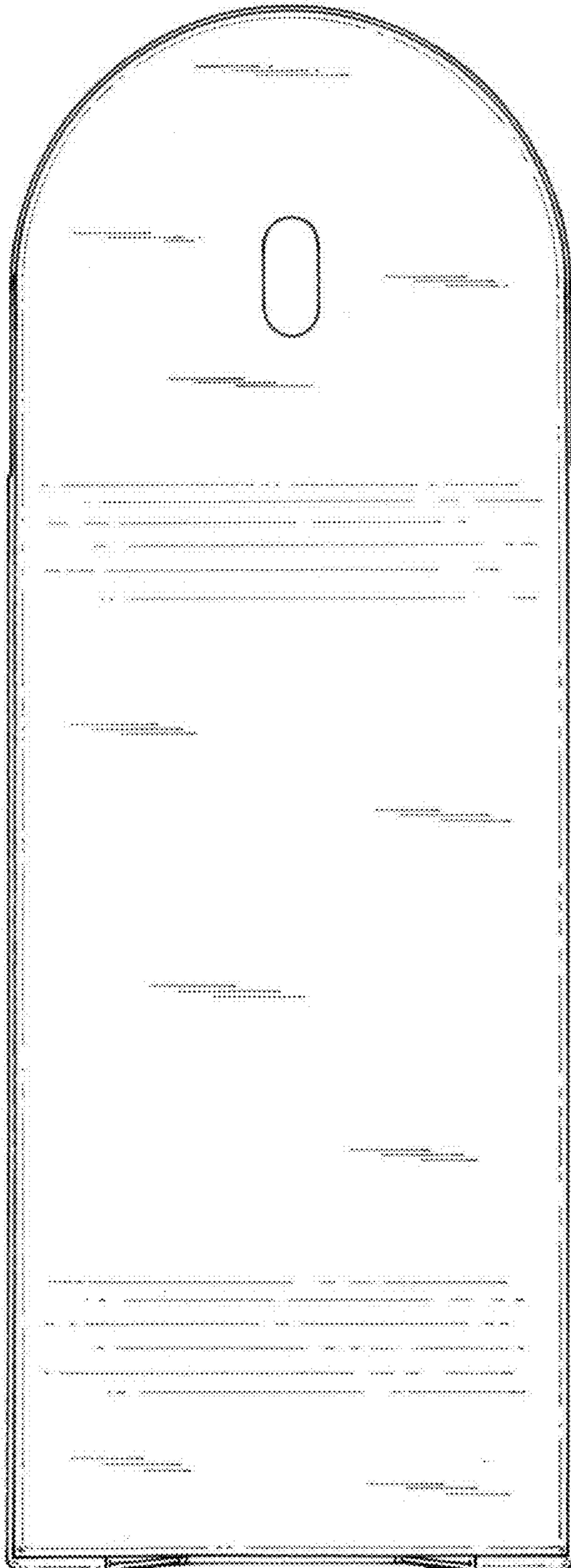
1.1



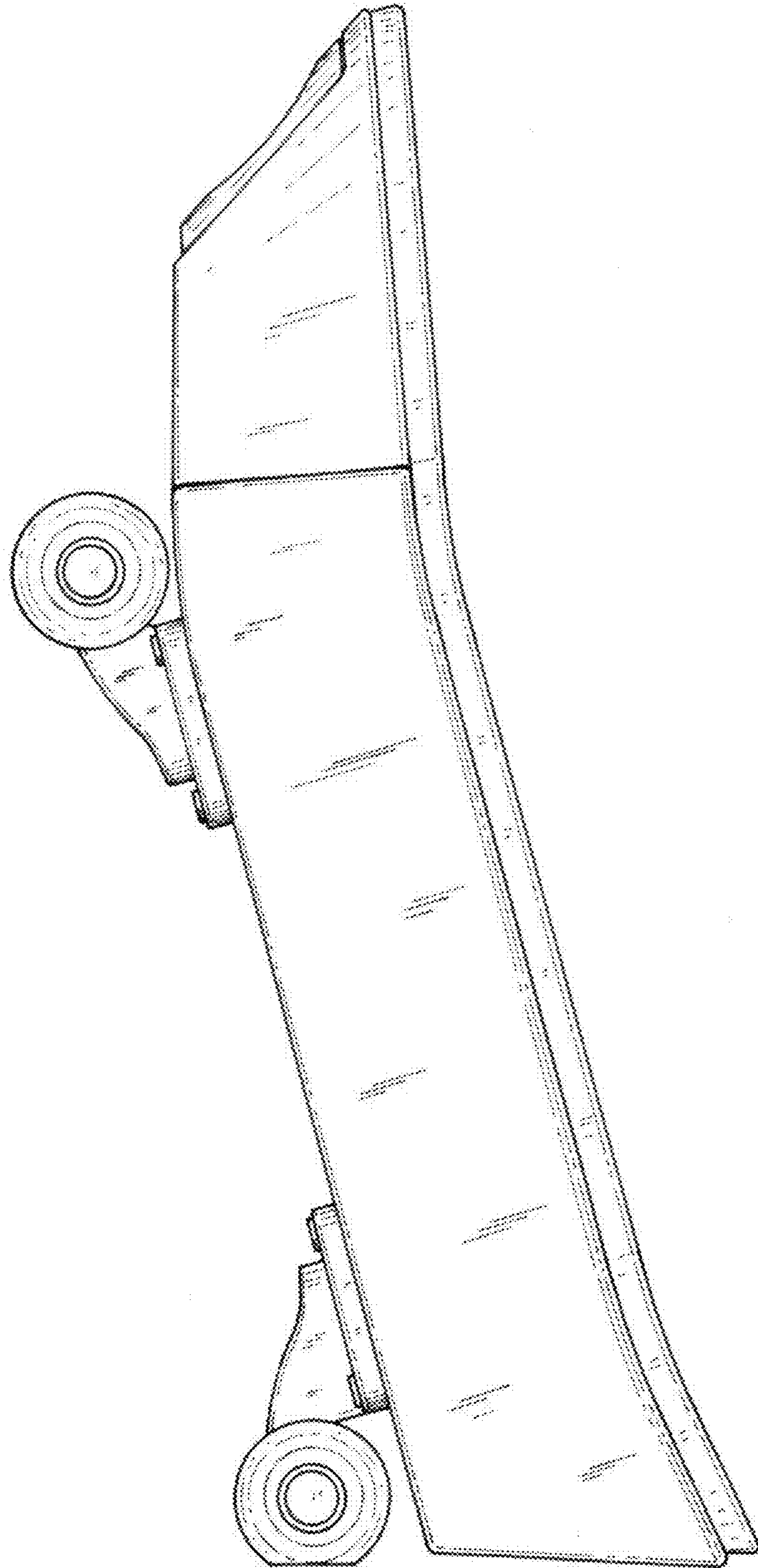
1.2



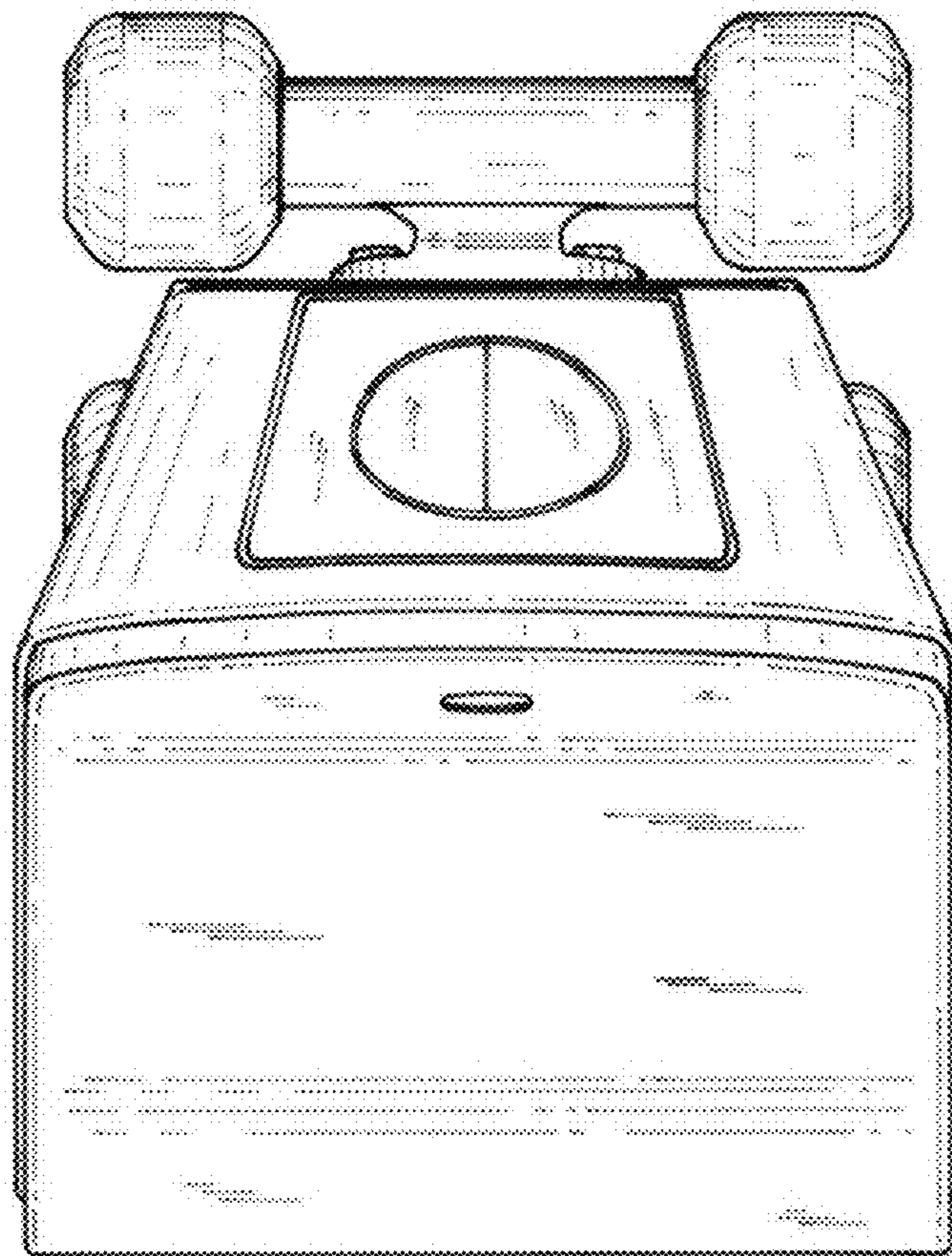
1.3



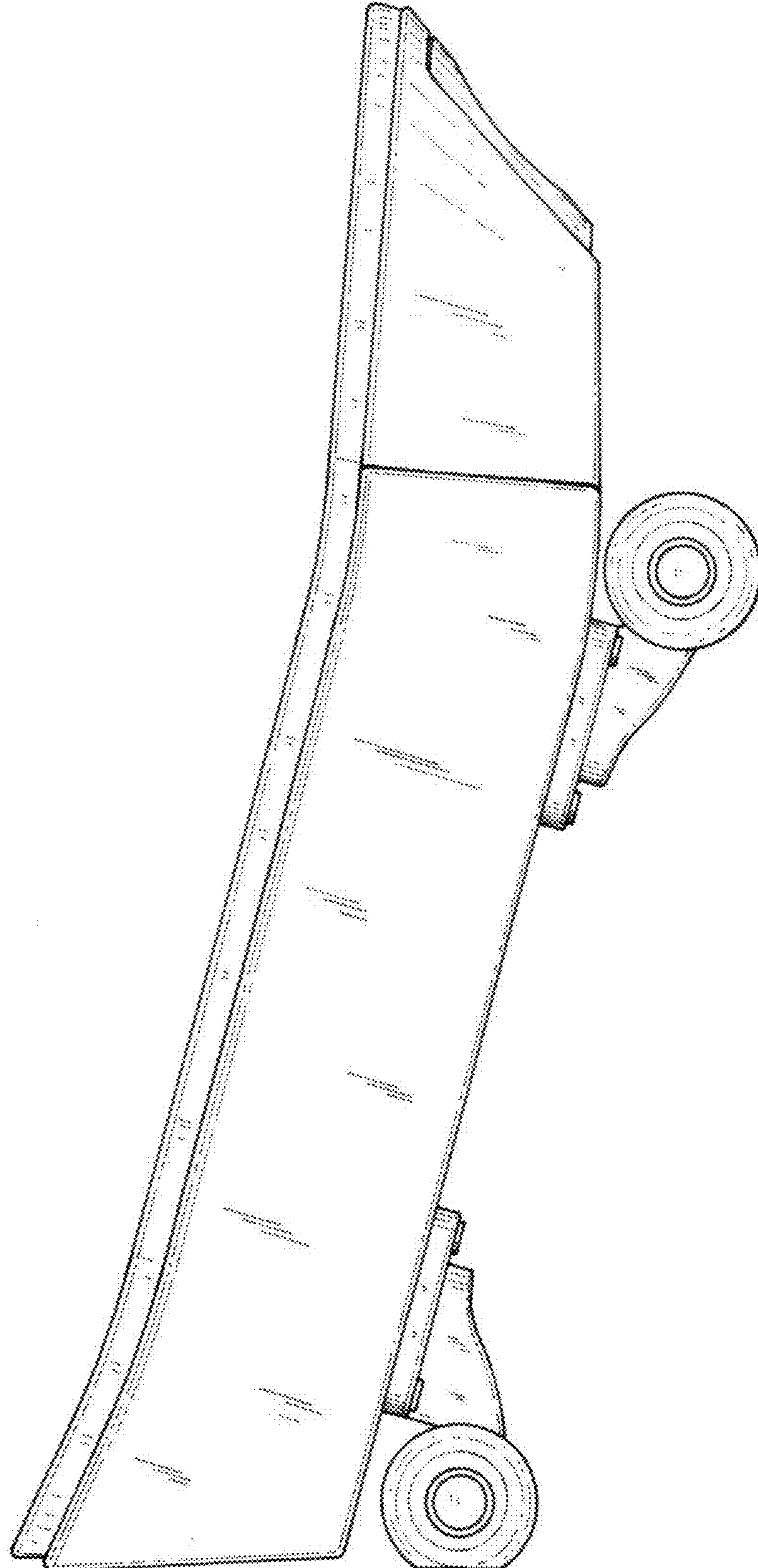
1.4



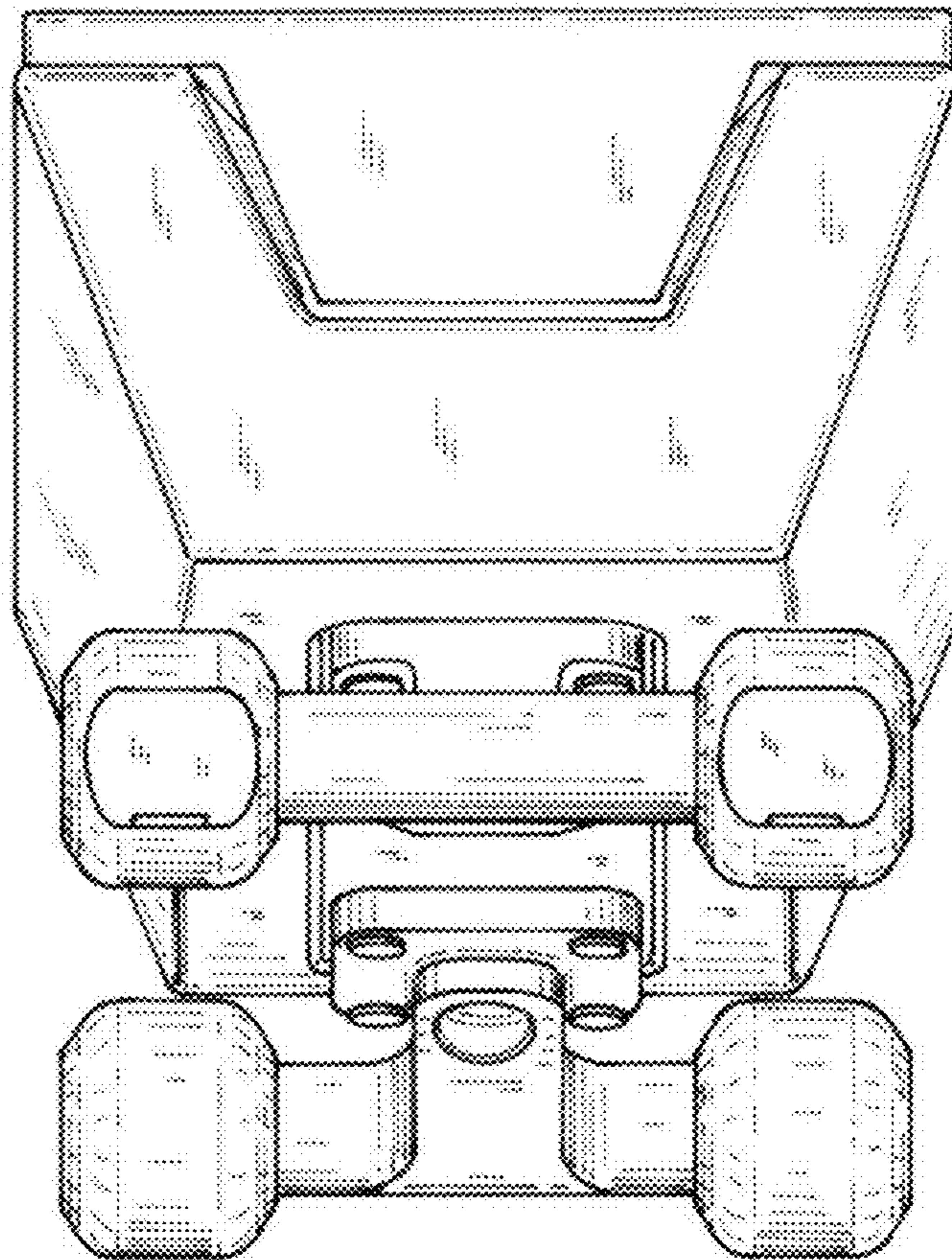
1.5



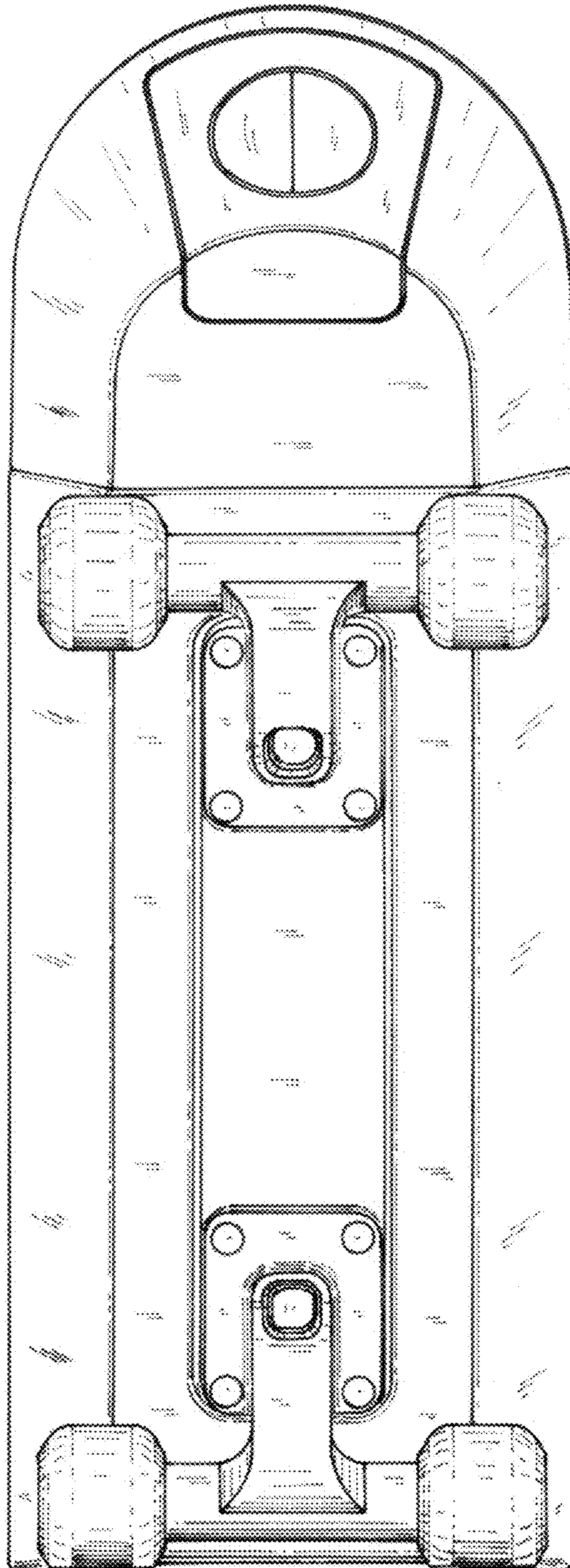
1.6



1.7



1.8



UNITED STATES PATENT AND TRADEMARK OFFICE
CERTIFICATE OF CORRECTION

PATENT NO. : D923,485 S
APPLICATION NO. : 35/508904
DATED : June 29, 2021
INVENTOR(S) : Jean-Marc Galvez

Page 1 of 1

It is certified that error appears in the above-identified patent and that said Letters Patent is hereby corrected as shown below:

On the Title Page

Insert item (30), Foreign Application Priority Data:

--EM 006665600-0001 filed 8/1/2019--.

Signed and Sealed this
Thirteenth Day of September, 2022
Katherine Kelly Vidal

Katherine Kelly Vidal
Director of the United States Patent and Trademark Office