



US00D923484S

(12) **United States Design Patent** (10) **Patent No.:** **US D923,484 S**
Kleen et al. (45) **Date of Patent:** **** Jun. 29, 2021**

(54) **BOTTLE**
(71) Applicant: **Victoria's Secret Stores Brand Management, Inc.**, Reynoldsburg, OH (US)
(72) Inventors: **Karin Kleen**, Brooklyn, NY (US); **Paige Erceg**, East Meadow, NY (US); **Sandra Monteparo**, Brooklyn, NY (US)

D623,532 S * 9/2010 Kuzma D9/552
D632,185 S * 2/2011 Glass D9/667
D632,969 S 2/2011 Monteparo et al.
D633,806 S * 3/2011 Lecoule D9/559
D649,471 S 11/2011 Guglielmo et al.
D650,690 S 12/2011 Guglielmo et al.
D655,612 S 3/2012 Oge-Nichols
D659,548 S * 5/2012 de France D9/694
D664,039 S 7/2012 Monteparo et al.
(Continued)

(73) Assignee: **Victoria's Secret Stores Brand Management, LLC**, Reynoldsburg, OH (US)

OTHER PUBLICATIONS
Monteparo, Sandra, "Bottle", unpublished Design U.S. Appl. No. 29/642,047, filed Mar. 27, 2018.
(Continued)

(**) Term: **15 Years**

Primary Examiner — Janice Patyk
(74) Attorney, Agent, or Firm — Andrus Intellectual Property Law, LLP

(21) Appl. No.: **29/656,909**

(22) Filed: **Jul. 17, 2018**

(51) **LOC (13) Cl.** **09-01**

(52) **U.S. Cl.**
USPC **D9/573**

(58) **Field of Classification Search**
USPC D9/522, 530, 542, 549, 558, 572, 573, D9/574, 690, 691, 694
CPC B65D 1/02; B65D 1/0223; B65D 1/023; B65D 1/0261; B65D 2501/0009; B65D 2501/0081; B65D 2501/009
See application file for complete search history.

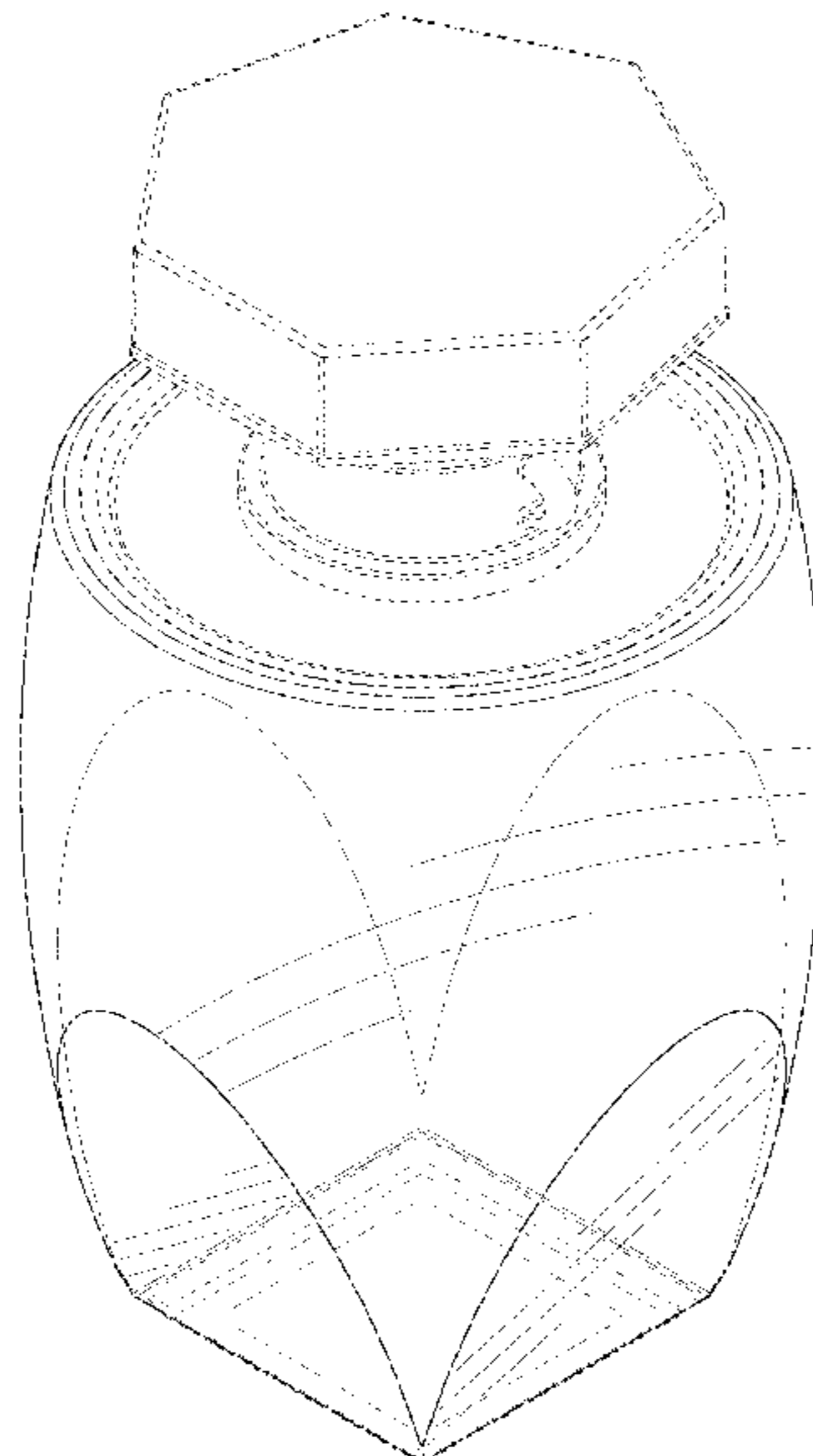
(57) **CLAIM**
The ornamental design for a bottle, as shown and described.

(56) **References Cited**
U.S. PATENT DOCUMENTS

D345,698 S 4/1994 Gobe
D348,832 S 7/1994 Gobe
D352,906 S 11/1994 Gobe
D362,391 S 9/1995 Gobe
D366,422 S 1/1996 Gobe
D515,194 S * 2/2006 Chen D23/366
D530,211 S 10/2006 Lloyd
D531,911 S 11/2006 Lloyd

DESCRIPTION
FIG. 1 is a top perspective view of a bottle according to our new design;
FIG. 2 is a front elevation view thereof;
FIG. 3 is a rear elevation view thereof;
FIG. 4 is a right side elevation view thereof;
FIG. 5 is a left side elevation view thereof;
FIG. 6 is a top plan view thereof;
FIG. 7 is a bottom plan view thereof; and,
FIG. 8 is a bottom perspective view thereof.
The broken lines in the figures illustrate portions of the bottle that form no part of the claimed design. The dash-dot-dash lines immediately adjacent to the claimed areas in the views represent the boundaries of the claimed design and form no part thereof. None of the broken lines form any part of the claimed design.

1 Claim, 8 Drawing Sheets



(56)

References Cited

U.S. PATENT DOCUMENTS

D670,176 S 11/2012 Monteparo et al.
D671,008 S 11/2012 Monteparo et al.
D678,073 S 3/2013 Oge-Nichols et al.
D680,872 S 4/2013 Uribe et al.
D686,371 S 7/2013 Moschitto et al.
D698,259 S * 1/2014 Ngjelo D9/651
D712,253 S * 9/2014 Hughes D9/435
D713,256 S * 9/2014 Perez-Cabrera D9/546
D718,143 S 11/2014 O'Donahue
D723,381 S 3/2015 O'Donahue
D730,733 S 6/2015 O'Donahue
D730,738 S 6/2015 O'Donahue
D731,319 S 6/2015 O'Donahue
D731,888 S 6/2015 O'Donahue
D737,689 S 9/2015 Monteparo
D740,127 S * 10/2015 Chertoff D9/559
D741,721 S 10/2015 Monteparo et al.
D752,442 S 3/2016 O'Donahue
D763,095 S 8/2016 Monteparo
D770,910 S 11/2016 Monteparo et al.
D778,998 S 2/2017 Musselman et al.
D813,048 S 3/2018 Hamel et al.

OTHER PUBLICATIONS

Erceg, Paige, "Bottle", unpublished Design U.S. Appl. No. 29/608,660,
filed Jun. 23, 2017.

* cited by examiner

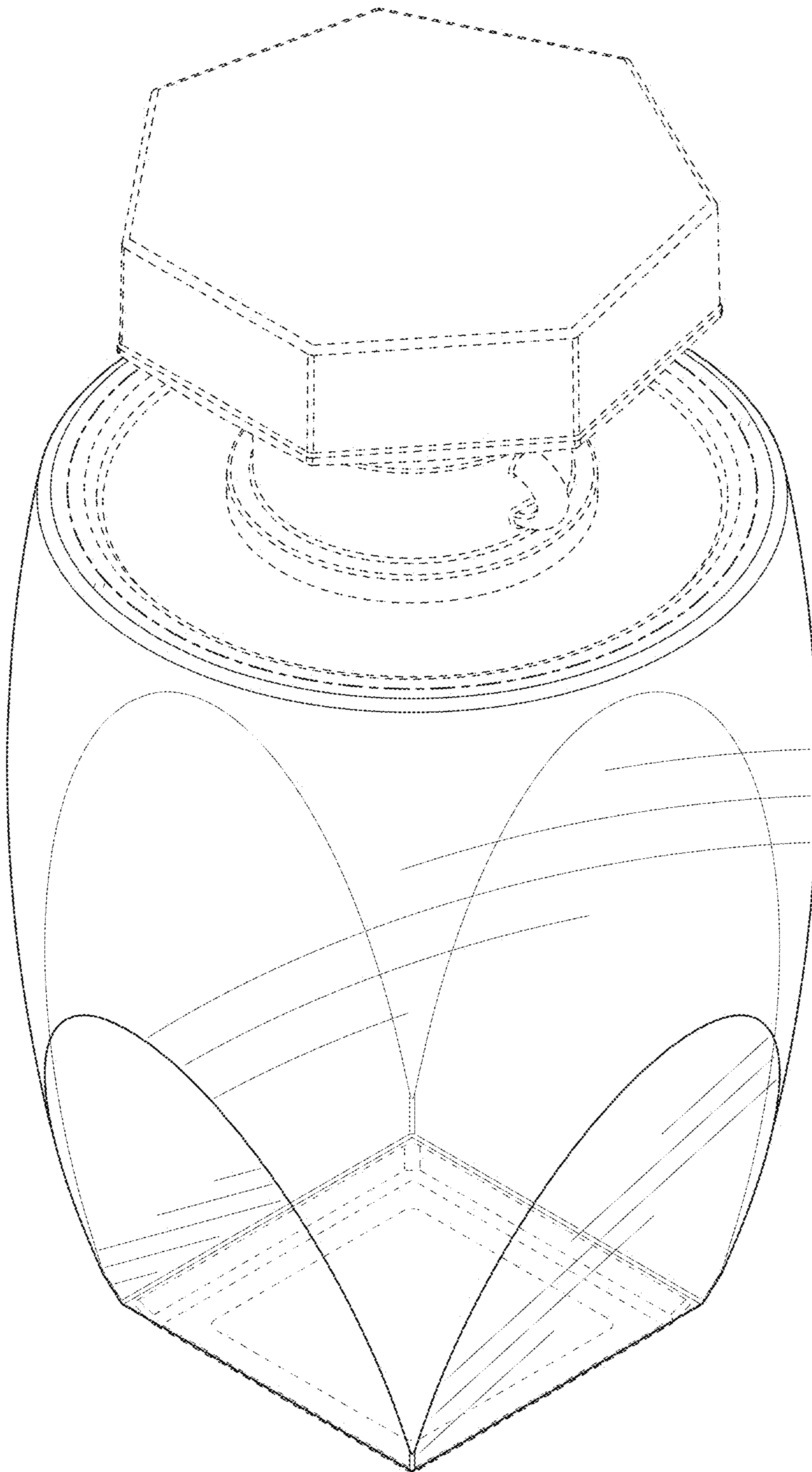


FIG. 1

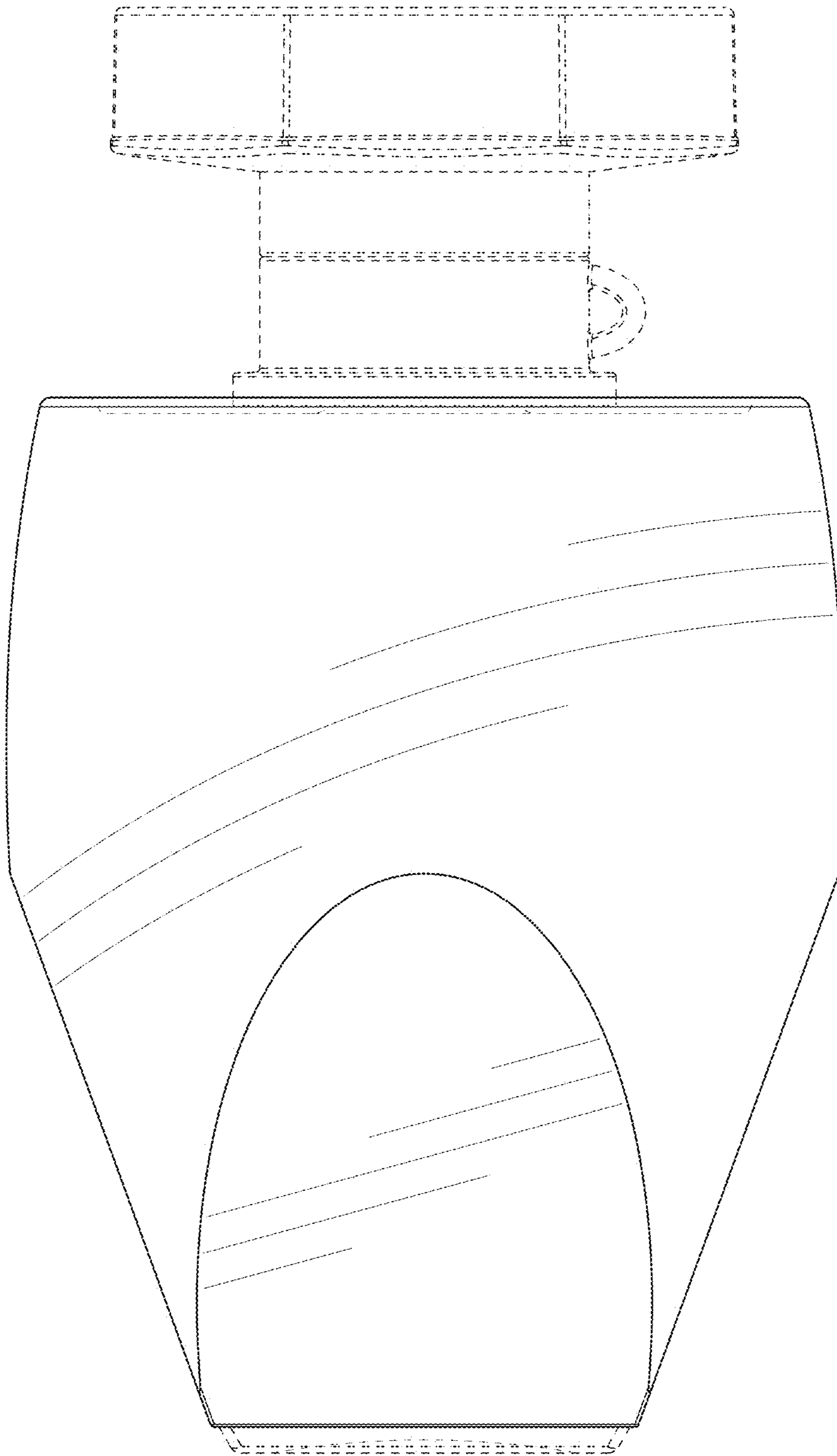


FIG. 2

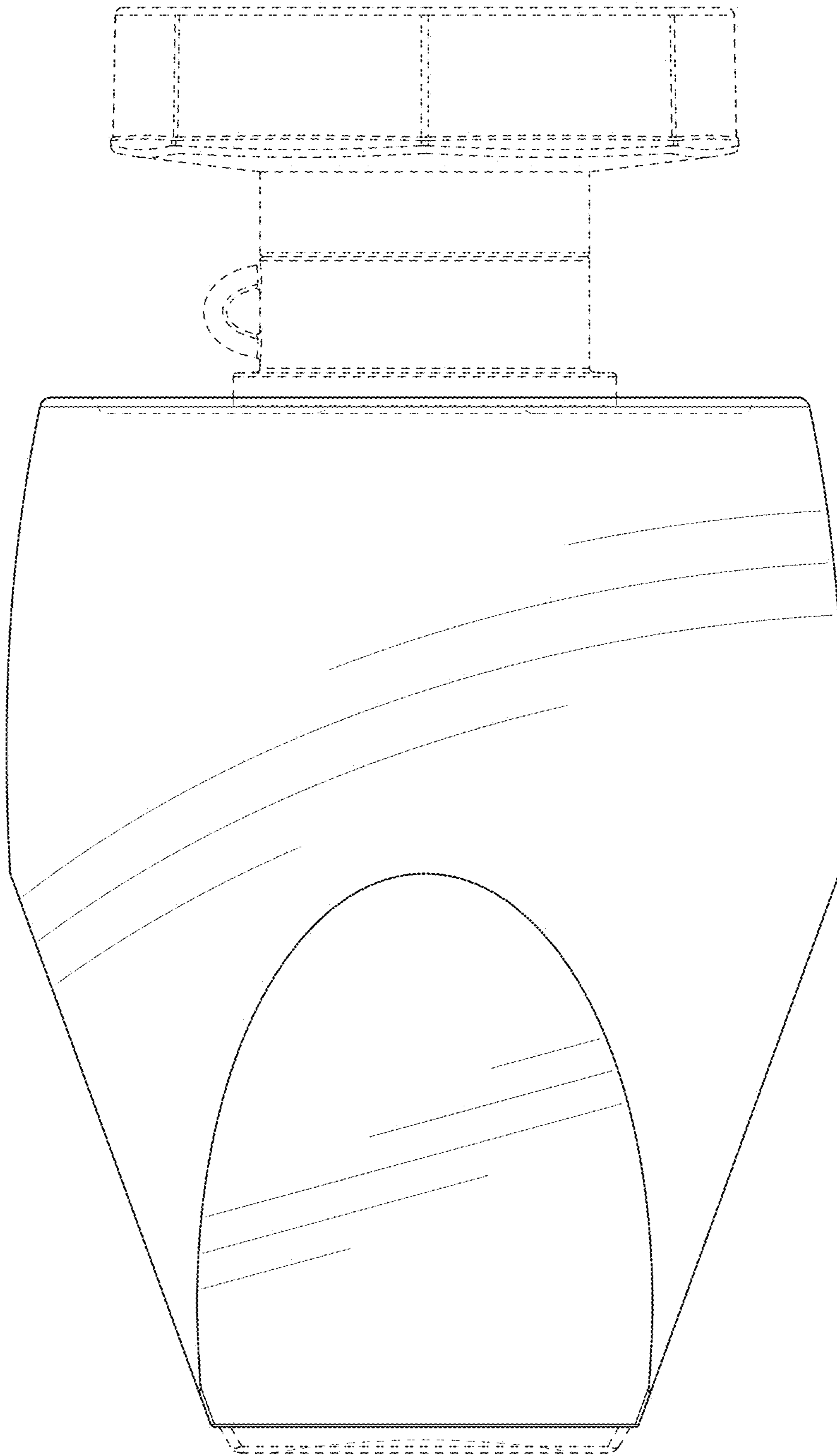


FIG. 3

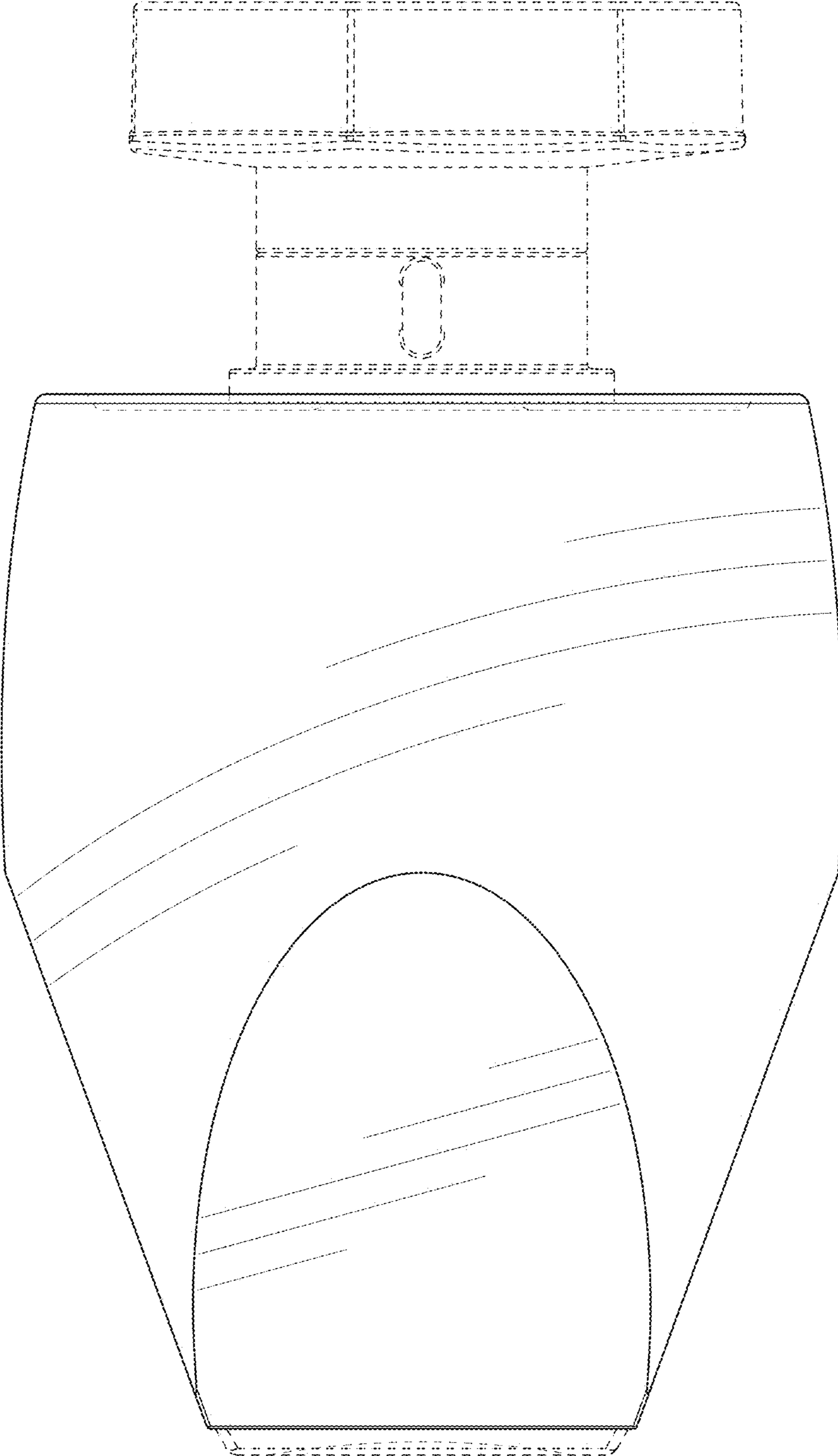


FIG. 4

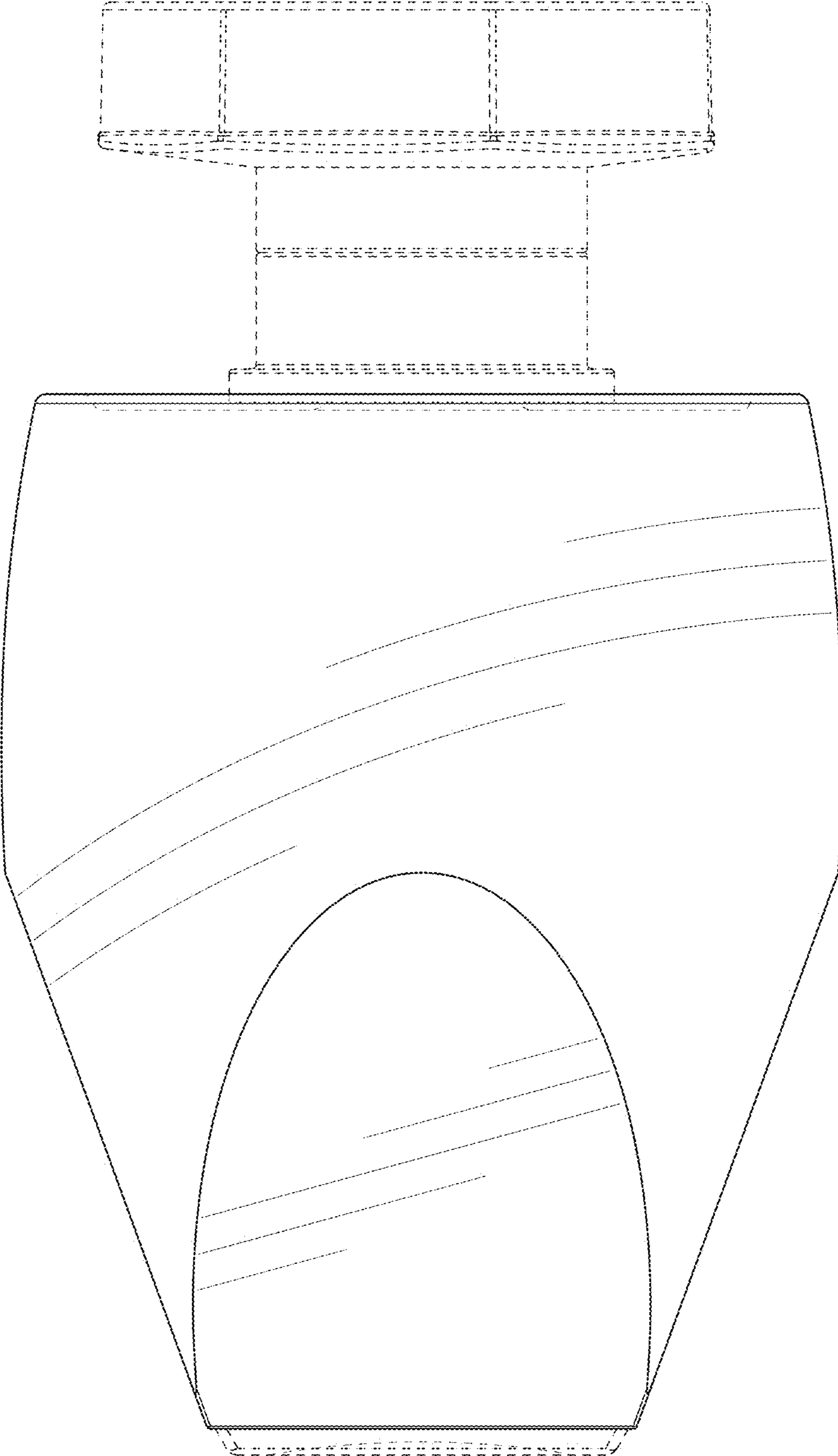


FIG. 5

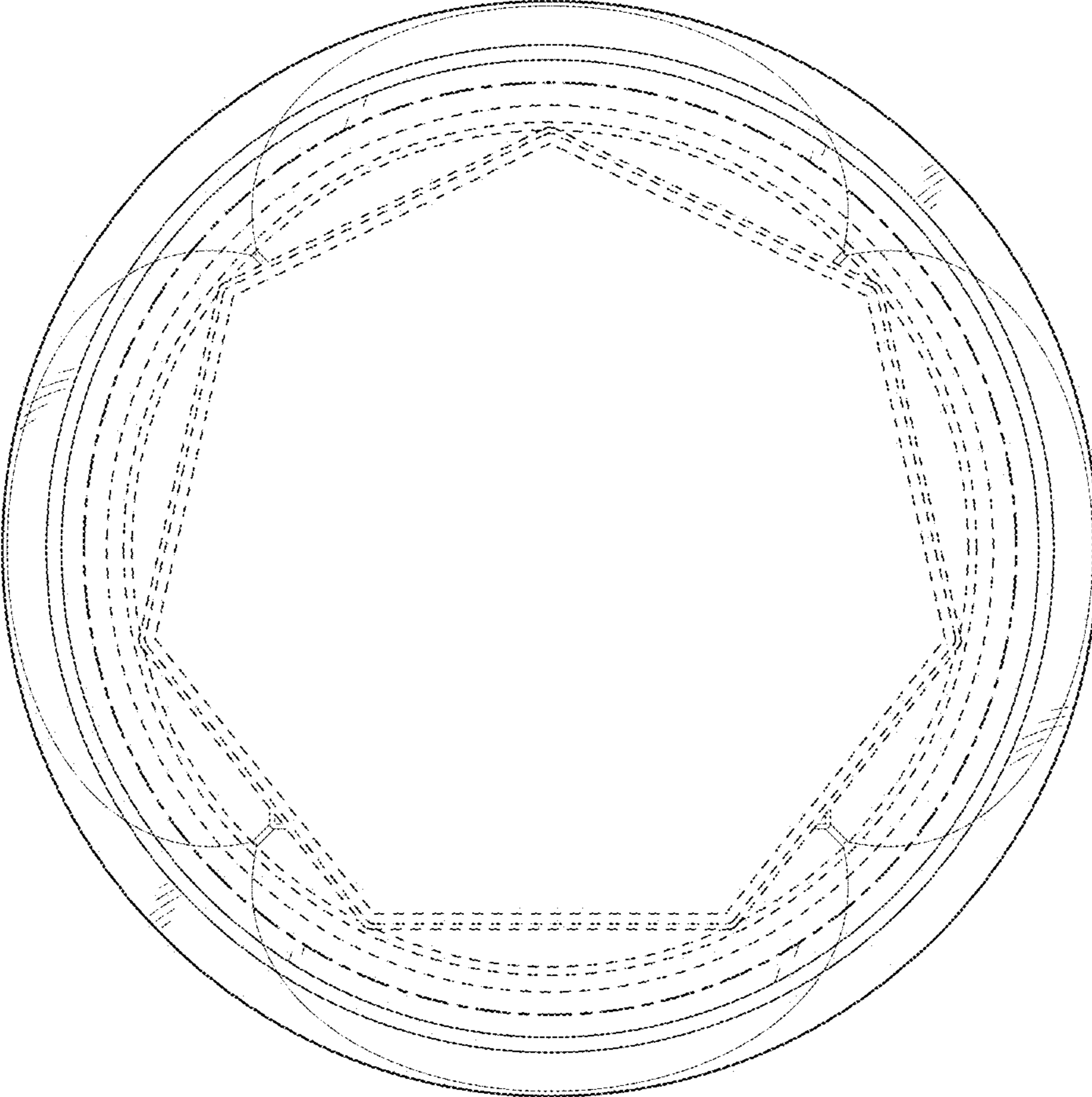


FIG. 6

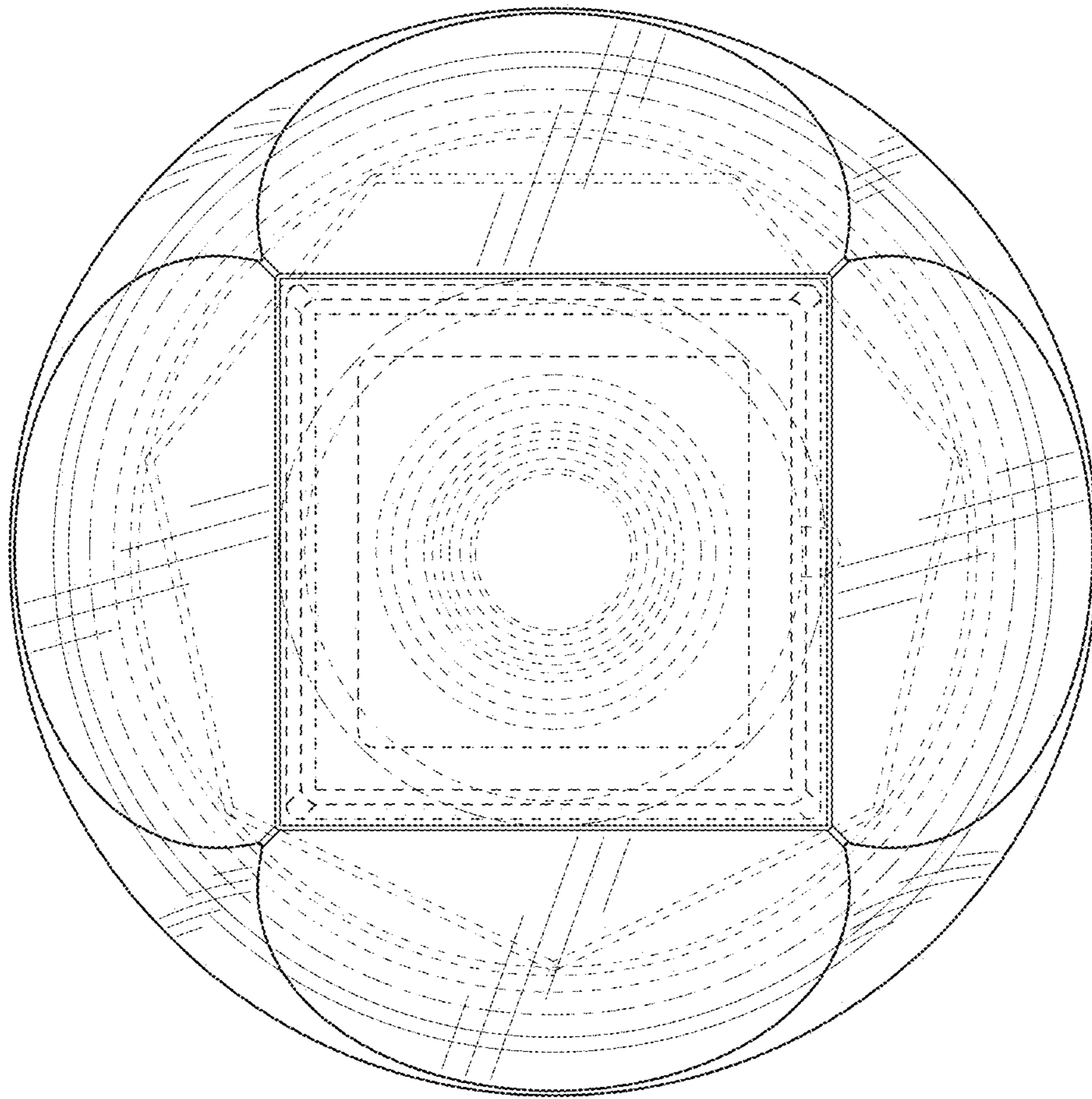


FIG. 7

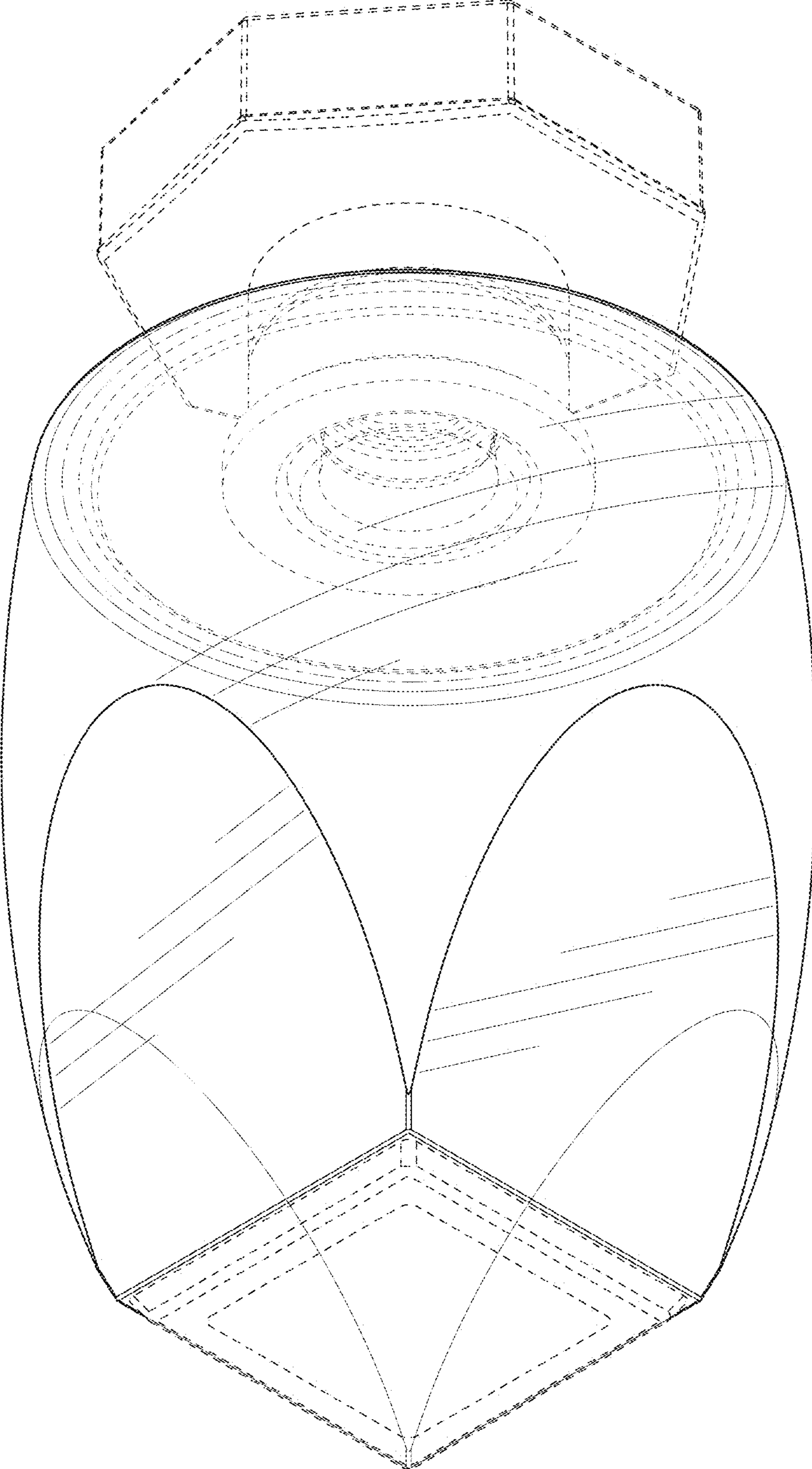


FIG. 8

UNITED STATES PATENT AND TRADEMARK OFFICE
CERTIFICATE OF CORRECTION

PATENT NO. : D923,484 S
APPLICATION NO. : 29/656909
DATED : June 29, 2021
INVENTOR(S) : Karin Kleen, Paige Erceg and Sandra Monteparo

Page 1 of 1

It is certified that error appears in the above-identified patent and that said Letters Patent is hereby corrected as shown below:

On the Title Page

Item (71), in the Applicant at Lines 1-2, "Victoria's Secret Stores Brand Management, Inc." should read -- Victoria's Secret Stores Brand Management, LLC --

Signed and Sealed this
Seventh Day of September, 2021



Drew Hirshfeld
*Performing the Functions and Duties of the
Under Secretary of Commerce for Intellectual Property and
Director of the United States Patent and Trademark Office*