



US00D923483S

(12) **United States Design Patent** (10) **Patent No.:** **US D923,483 S**
O'Donnell (45) **Date of Patent:** **** Jun. 29, 2021**

(54) **BEVERAGE CONTAINER**
(71) Applicant: **JuiceDelivery, LLC**, San Diego, CA (US)
(72) Inventor: **Ryne O'Donnell**, San Diego, CA (US)
(**) Term: **15 Years**
(21) Appl. No.: **29/705,313**
(22) Filed: **Sep. 11, 2019**
(51) **LOC (13) Cl.** **09-01**
(52) **U.S. Cl.**
USPC **D9/560**; D9/574
(58) **Field of Classification Search**
USPC D9/434-436, 440, 443, 516, 544-546, D9/559, 560, 564, 565, 569, 570-575, D9/715, 719; D32/53, 53.1; D7/523, D7/540, 590, 598, 601, 602, 605, 612, D7/615, 619.1
CPC B65D 21/0204; B65D 2501/0081; B65D 1/0223; B65D 25/2876; B65D 43/0212
See application file for complete search history.

D625,911 S * 10/2010 Lee D3/203.2
D632,967 S 2/2011 Hughes
D632,968 S 2/2011 Hughes
D635,031 S 3/2011 Themann
D655,198 S 3/2012 Finlay
D656,405 S 3/2012 Byron
D675,101 S 1/2013 Wilson
D715,159 S 10/2014 Weiss
D717,661 S 11/2014 McIntire
D719,456 S 12/2014 Ivie
D726,006 S * 4/2015 Rapparini D9/434
D734,159 S * 7/2015 Brisson D9/560

(Continued)

OTHER PUBLICATIONS

<https://web.archive.org/web/20091228184941/http://www.sks-bottle.com:80/340c/fin7601.html> (Year: 2009).*

Primary Examiner — Sheryl Lane
Assistant Examiner — Calvin E Vansant
(74) *Attorney, Agent, or Firm* — Todd R. Miller

(57) **CLAIM**

The ornamental design for a beverage container, as shown and described.

(56) **References Cited**

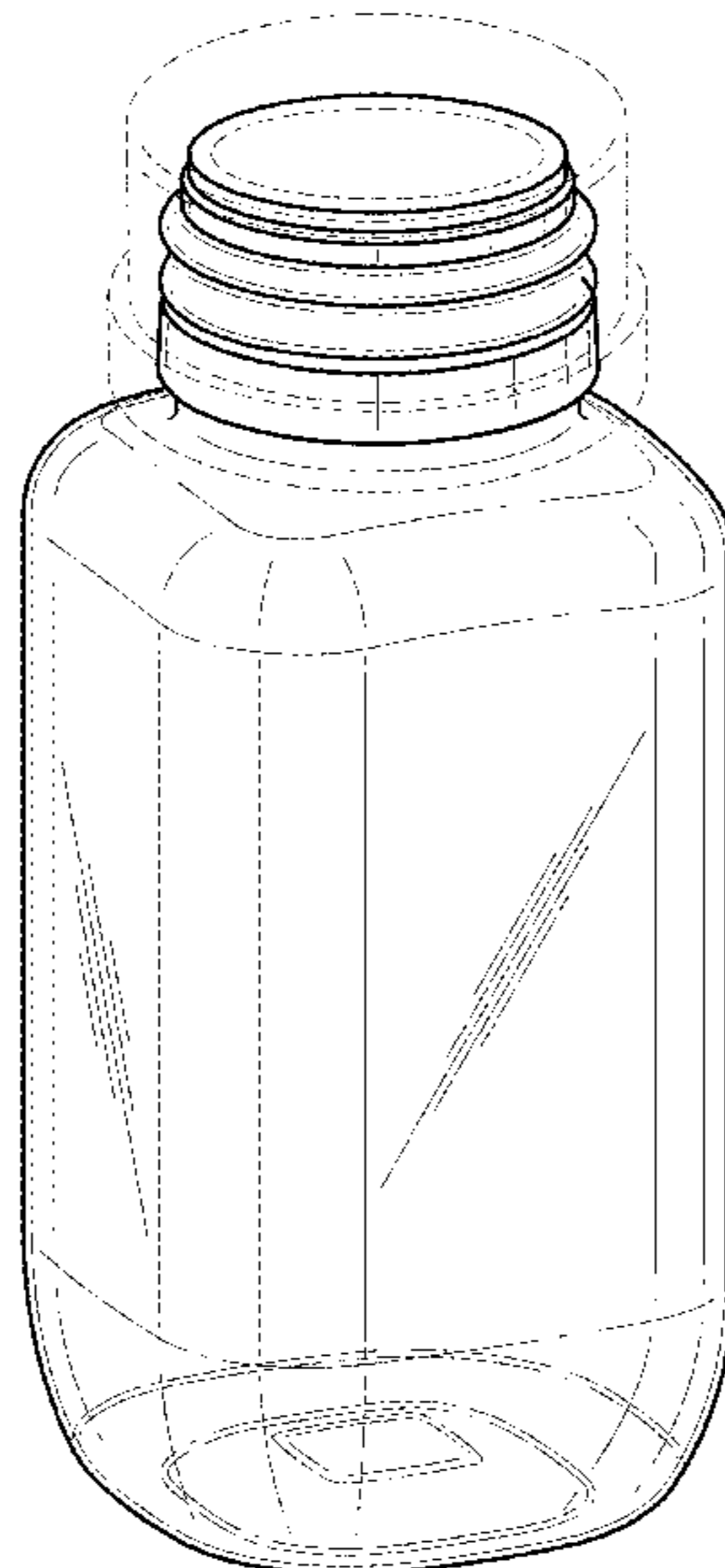
U.S. PATENT DOCUMENTS

D228,217 S 8/1973 Achenback
D267,076 S * 11/1982 Hurtig D9/520
D362,180 S 9/1995 Haines
D363,854 S 11/1995 Katz
D448,241 S 9/2001 Morris, Jr.
D489,619 S 5/2004 Henderson Goodell
D505,331 S 5/2005 Lane
D537,492 S 2/2007 Paolucci
D551,983 S 10/2007 Barbagli
D554,941 S 11/2007 Mansfield
D560,118 S * 1/2008 Higgins D9/434
D561,034 S 2/2008 Francis
D569,261 S 5/2008 Sequeira
D587,118 S * 2/2009 Sadiq D9/516
D613,177 S * 4/2010 Lee D9/520

DESCRIPTION

FIG. 1 is a top perspective view embodying the inventive beverage container;
FIG. 2 is a front side view of the device as seen in FIG. 1, wherein the rear side, left side, and right side are mirror images;
FIG. 3 is a top view of the device as seen in FIG. 1; and, FIG. 4 is a bottom view of the device as seen in FIG. 1. The broken lines within the top surface in FIGS. 1 & 3 in the drawings showing the beverage container illustrate the portions of the beverage container that form no part of the claim. All other broken lines are directed to environmental subject matter and form no part of the claimed design.

1 Claim, 3 Drawing Sheets



(56)

References Cited

U.S. PATENT DOCUMENTS

D736,641	S	*	8/2015	Manne	D9/560
D741,720	S	*	10/2015	Anandani	D9/560
D742,242	S	*	11/2015	McDaniel	D9/553
D756,234	S	*	5/2016	Orset	D9/560
D766,093	S		9/2016	Otani	
D767,405	S	*	9/2016	Orset	D9/453
D769,124	S	*	10/2016	Wieland	D9/560
D787,337	S		5/2017	Niesmann	
D807,190	S		1/2018	Kuzma	
D808,810	S	*	1/2018	Rajesh	D9/516
D815,952	S	*	4/2018	Chung	D9/560
D816,506	S	*	5/2018	Jones	D9/560
D824,769	S	*	8/2018	Ecabert	D9/542
D824,771	S	*	8/2018	Pascalie	D9/560
D830,187	S	*	10/2018	Oesch, Jr.	D9/560
D833,291	S	*	11/2018	Staab	D9/560
D834,377	S		11/2018	Zoske	
D838,175	S		1/2019	Giannantonio	

* cited by examiner

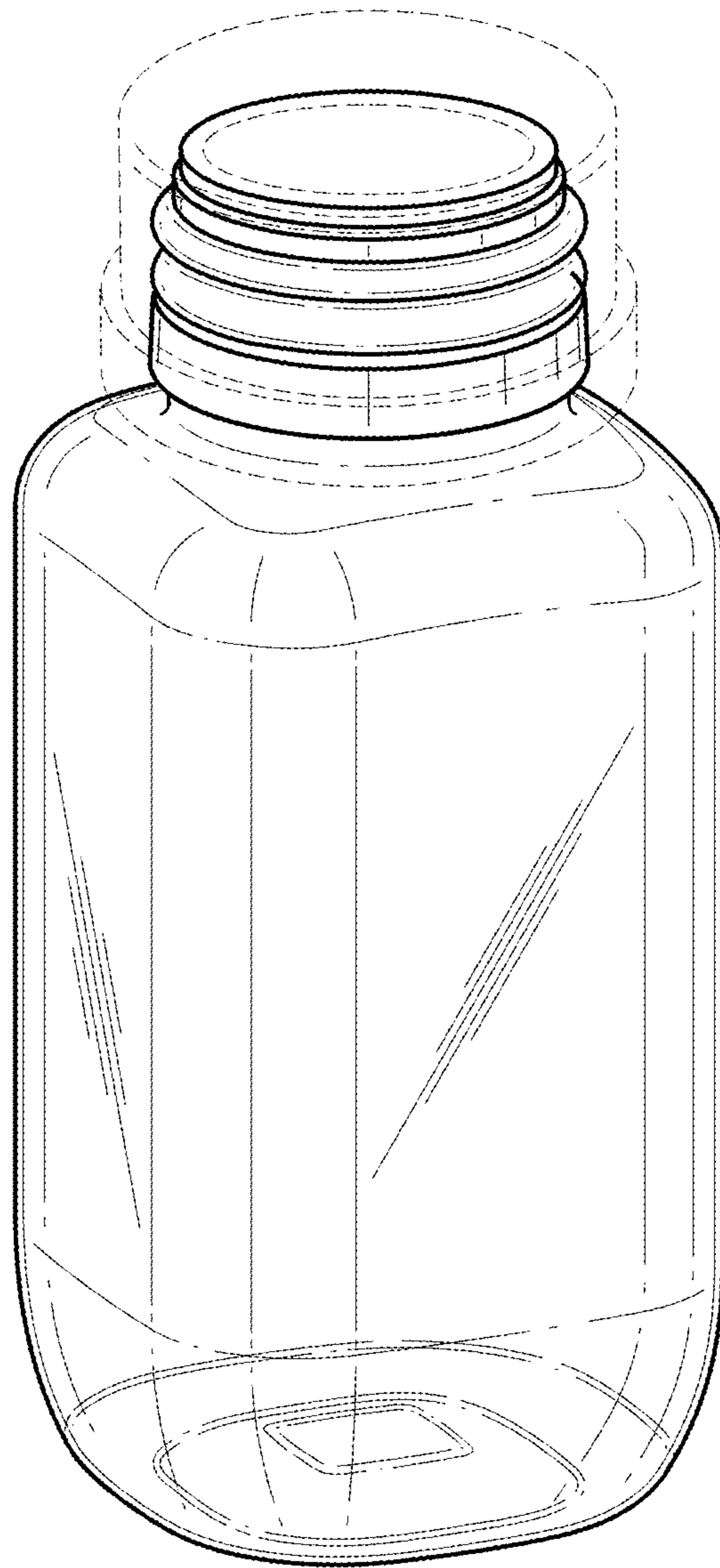


FIG. 1

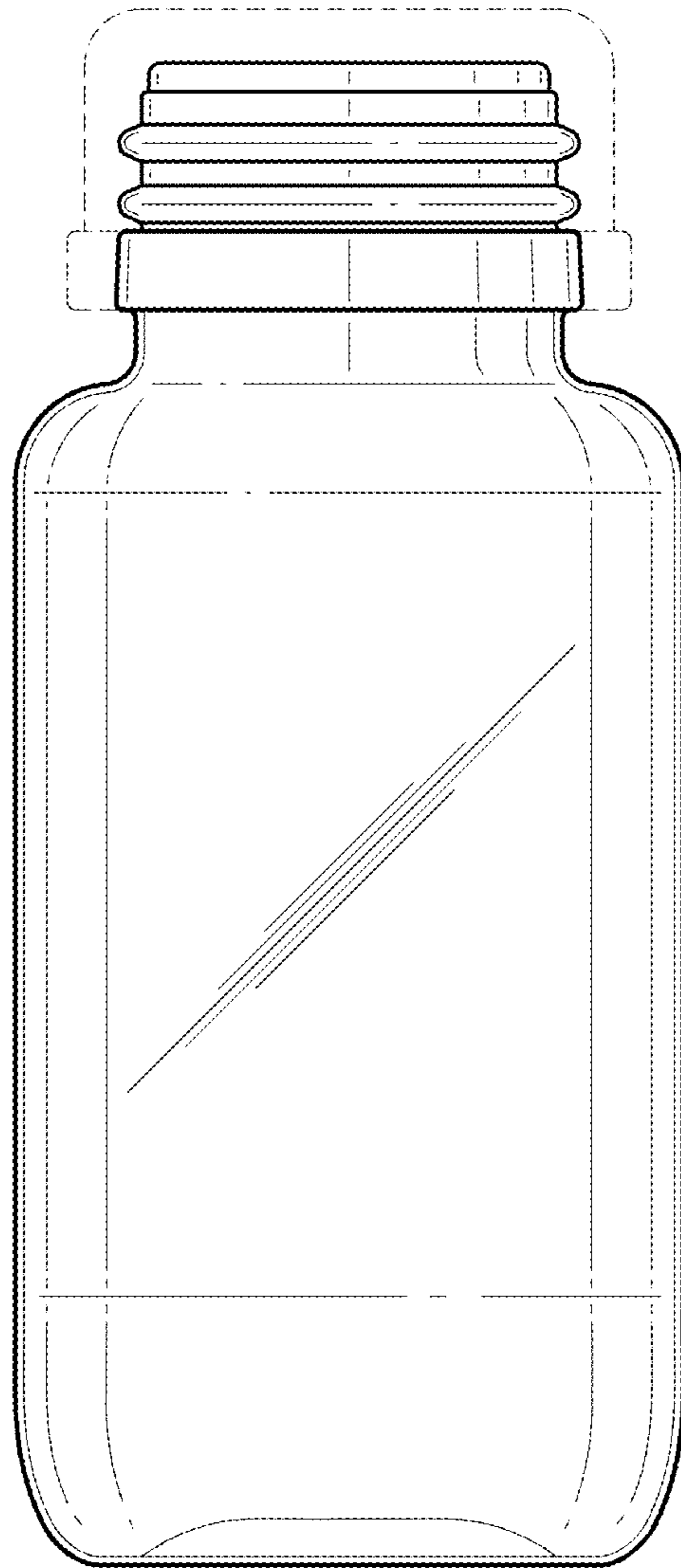


FIG. 2

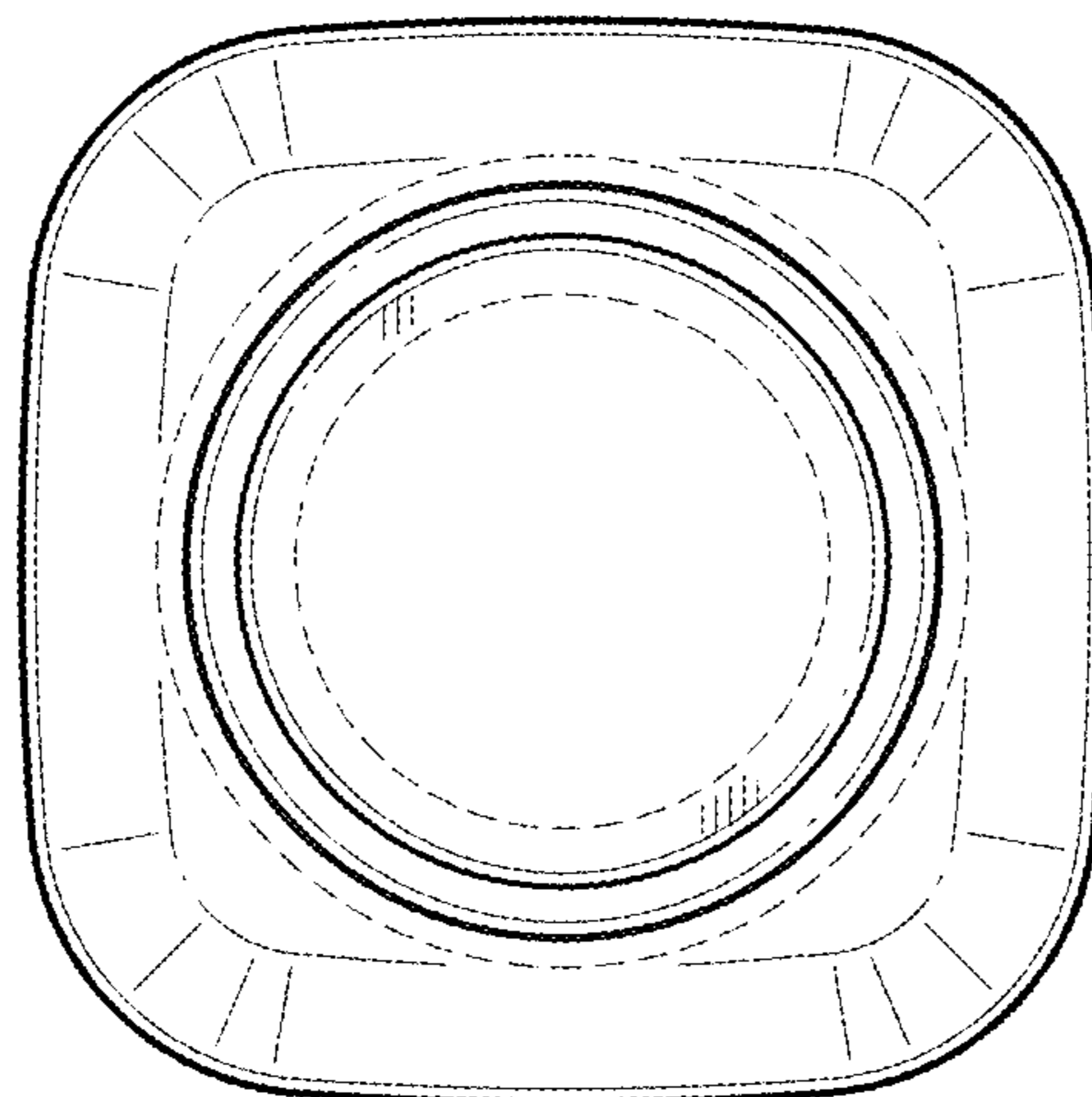


FIG. 3

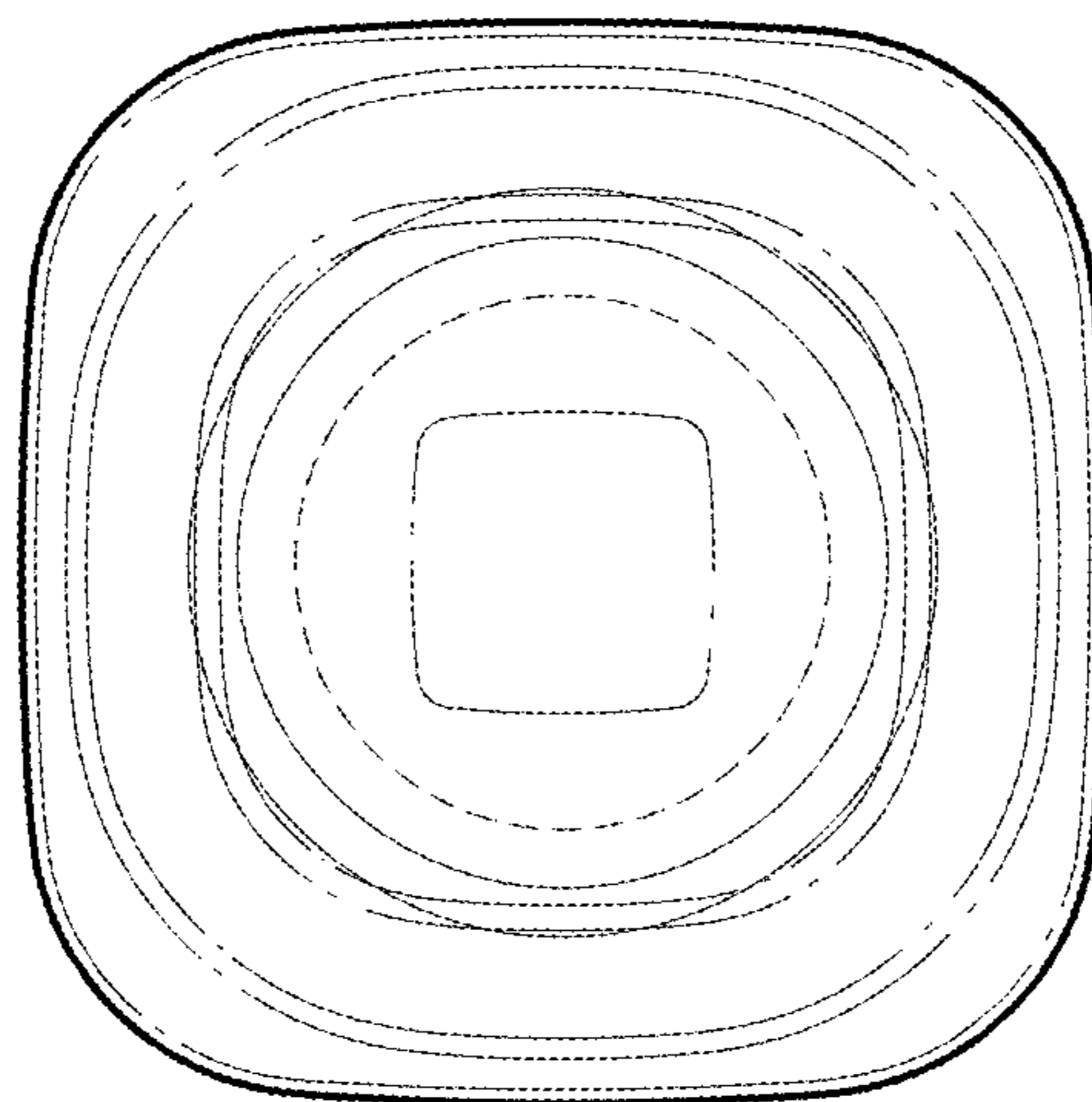


FIG. 4