



US00D923482S

(12) **United States Design Patent** (10) **Patent No.:** **US D923,482 S**
Sipek (45) **Date of Patent:** **** Jun. 29, 2021**

(54) **SPIRIT BOTTLE**
(71) Applicant: **KYLIN SPIRITS GROUP LIMITED,**
London (GB)
(72) Inventor: **Milan Sipek,** London (GB)
(73) Assignee: **KYLIN SPIRITS GROUP LIMITED,**
London (GB)

D817,768 S * 5/2018 Yen D9/543
D824,769 S * 8/2018 Ecabert D9/542
D826,058 S * 8/2018 Pel D9/558
D826,060 S * 8/2018 Pel D9/558
D832,110 S * 10/2018 Pel D9/558
D832,713 S * 11/2018 Mann D9/575
D843,219 S * 3/2019 Faillant Dumas D9/544
D845,777 S * 4/2019 Faillant Dumas D9/522
D867,893 S 11/2019 Bos
D871,225 S * 12/2019 Lopez D9/558
D871,912 S 1/2020 McGann et al.

(**) Term: **15 Years**

(Continued)

(21) Appl. No.: **29/762,433**

FOREIGN PATENT DOCUMENTS

(22) Filed: **Dec. 16, 2020**

EM 000050141-0007 * 1/2004
EM 001605874-0001 * 10/2009

(30) **Foreign Application Priority Data**

(Continued)

Jul. 27, 2020 (CN) 202030412223.5

(51) **LOC (13) Cl.** **09-01**

Primary Examiner — Brett Miller

(52) **U.S. Cl.** **D9/552; D9/549**

Assistant Examiner — Rani J Abdallah

(58) **Field of Classification Search**

USPC **D9/521, 522, 529, 530, 536, 542–545,**
D9/549, 552, 558, 573–575, 454, 504;
D3/202

(74) *Attorney, Agent, or Firm* — ScienBiziP, P.C.

CPC .. **A45D 34/041; B65D 1/0223; B65D 23/102;**
B65D 2501/0081

See application file for complete search history.

(57) **CLAIM**

The ornamental design for a spirit bottle, as shown and described.

(56) **References Cited**

DESCRIPTION

U.S. PATENT DOCUMENTS

D207,882 S * 6/1967 Coulthurst D9/522
D309,568 S * 7/1990 Beton D9/544
D343,125 S * 1/1994 Boucheron D9/529
D396,809 S * 8/1998 Granai D9/545
D533,185 S * 12/2006 Ishida D9/574
D697,812 S * 1/2014 Lin D9/545
D730,317 S * 5/2015 Silvera 14/207
D793,242 S * 8/2017 McGreevy D9/558
D793,864 S * 8/2017 O'Donahue D9/558

FIG. 1 is a front and top perspective view of a spirit bottle, showing my design.

FIG. 2 is a rear and bottom perspective view thereof.

FIG. 3 is a front elevation view thereof.

FIG. 4 is a rear elevation view thereof.

FIG. 5 is a left side elevation thereof.

FIG. 6 is a right side elevation thereof.

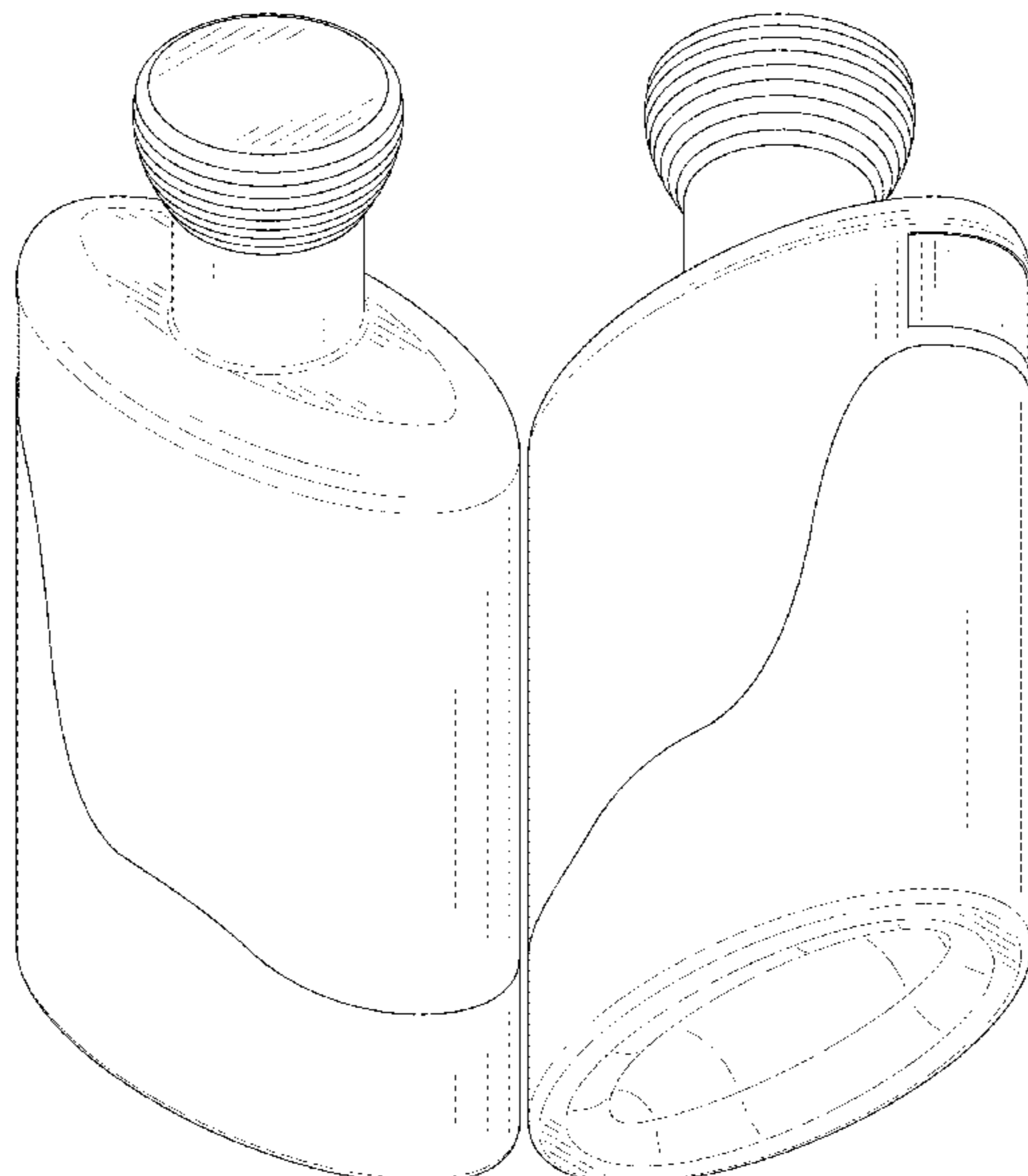
FIG. 7 is a top plan view thereof.

FIG. 8 is a bottom plan view thereof; and,

FIG. 9 is an exploded view thereof.

The broken lines shown in the drawings are included for the purpose of illustrating portions of the spirit bottle that form no part of the claimed design.

1 Claim, 9 Drawing Sheets



(56)

References Cited

U.S. PATENT DOCUMENTS

D886,626 S * 6/2020 Fell D9/574
D887,278 S * 6/2020 Lopez D9/542
D900,615 S * 11/2020 Gautier D9/545
D911,187 S * 2/2021 Venables D9/575

FOREIGN PATENT DOCUMENTS

EM 004171817-0053 * 9/2017
EM 005511789-0004 * 8/2018
EM 005511789-0008 * 8/2018
GB 1052649 * 3/1989

* cited by examiner

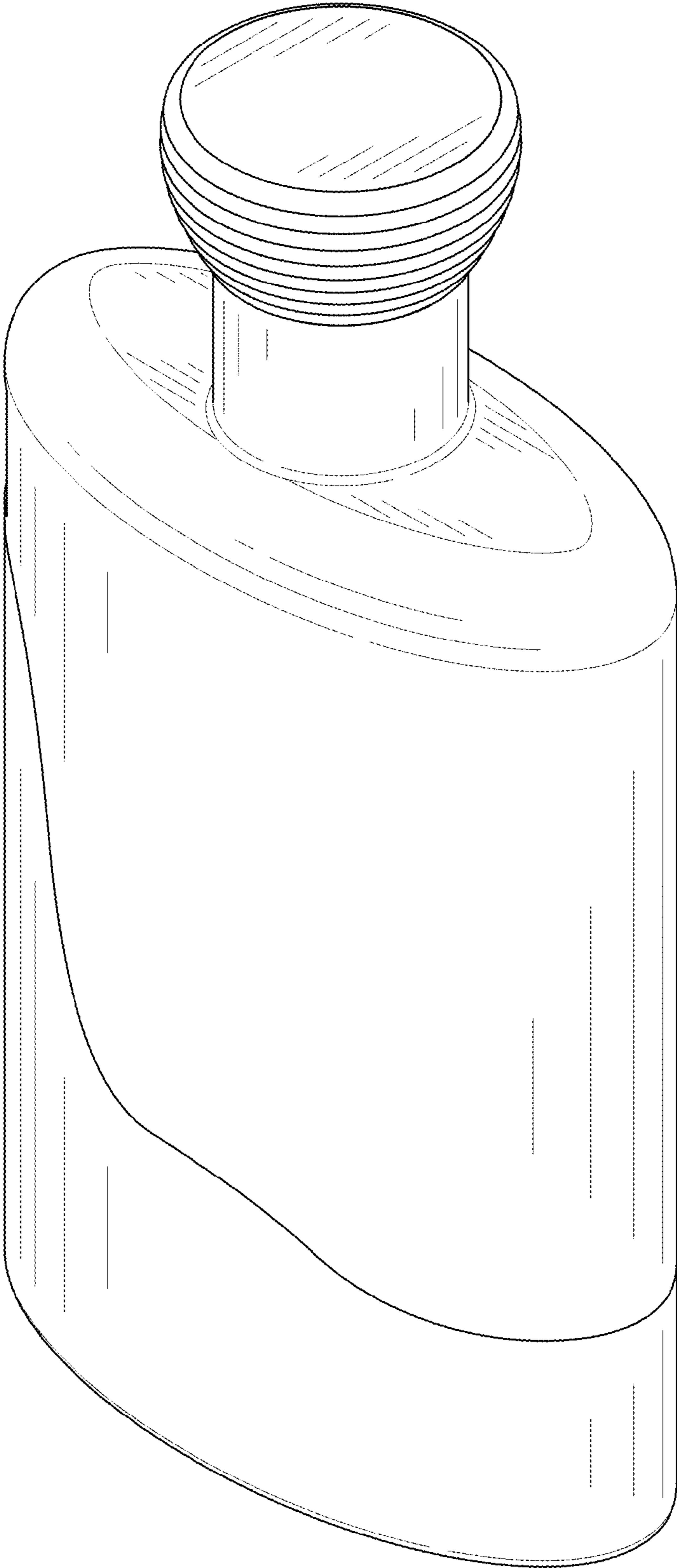


FIG. 1

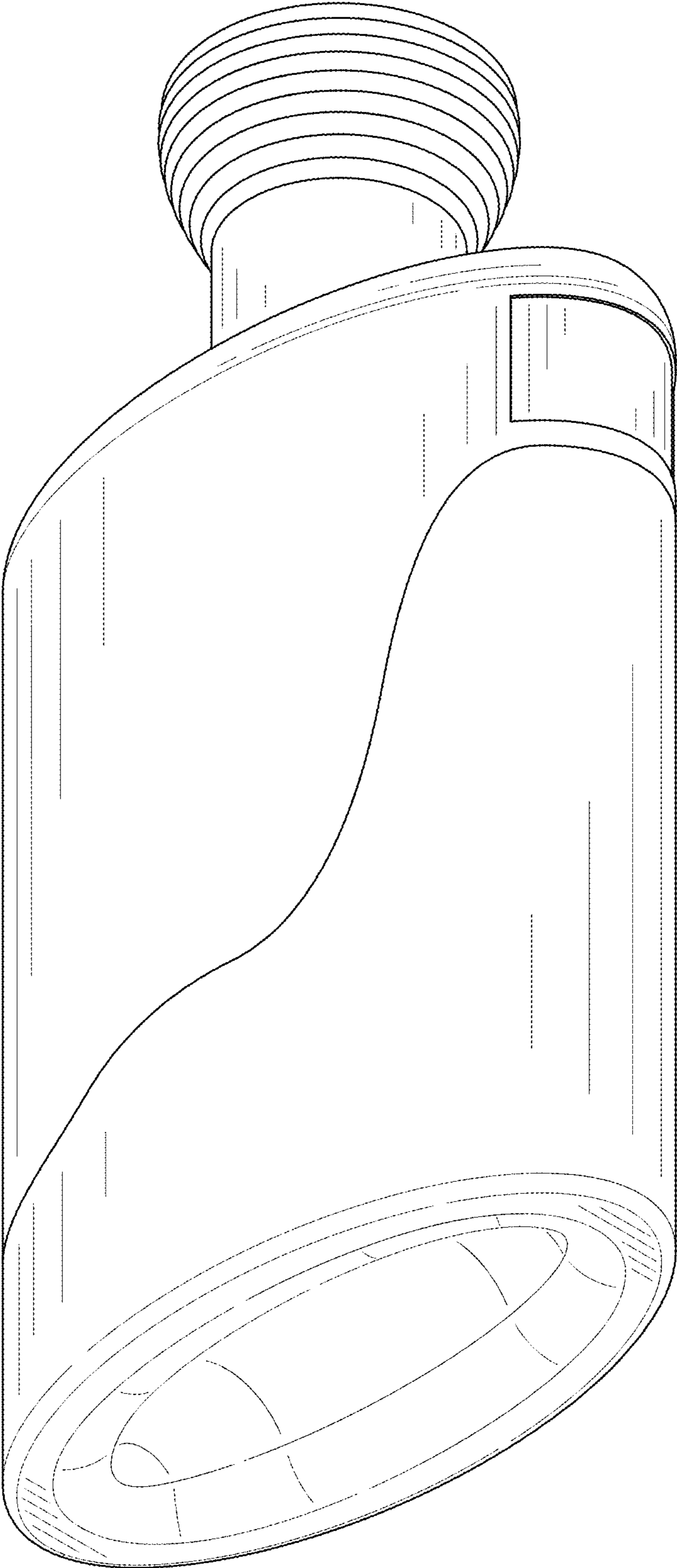


FIG. 2

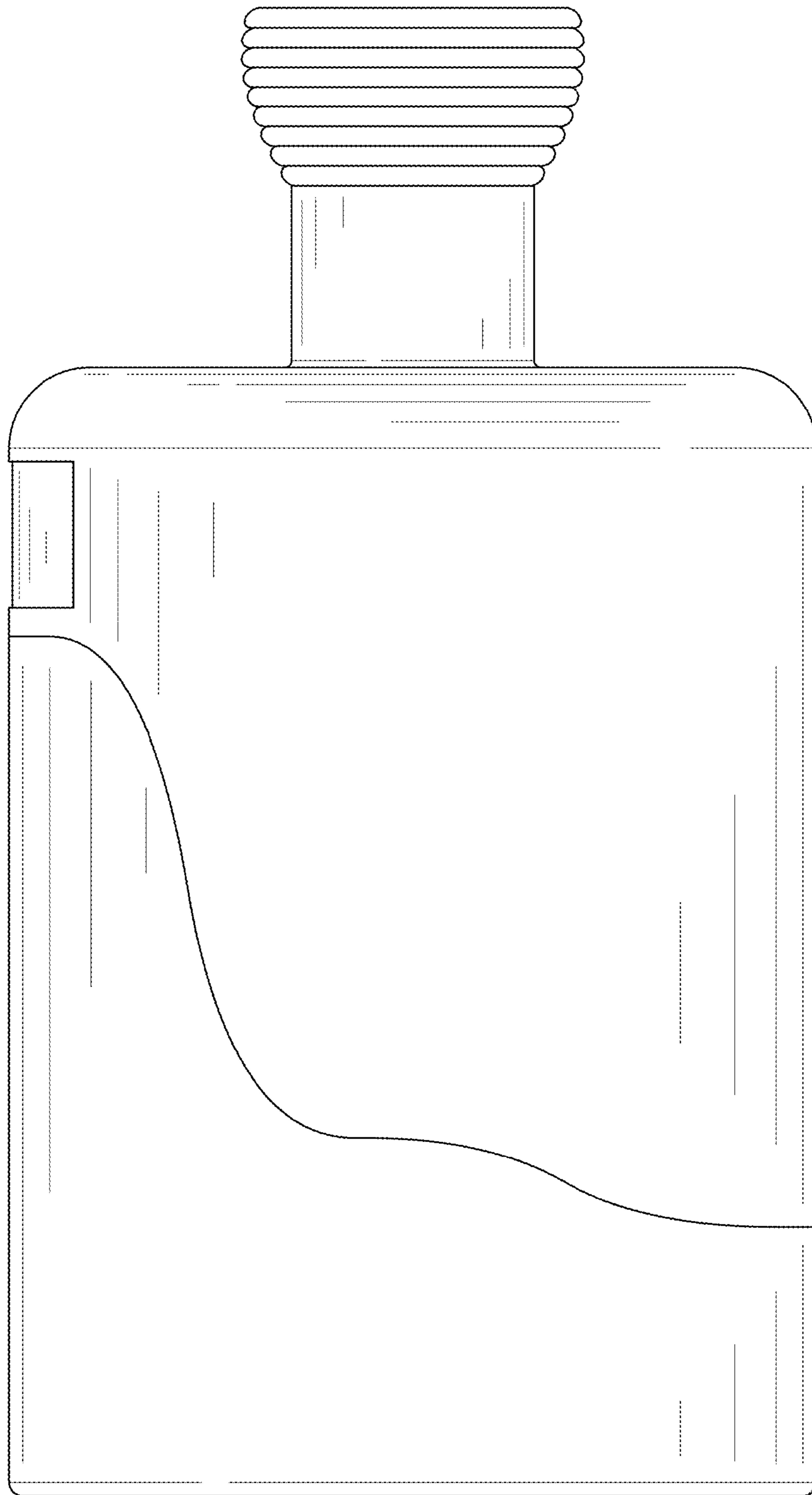


FIG. 3

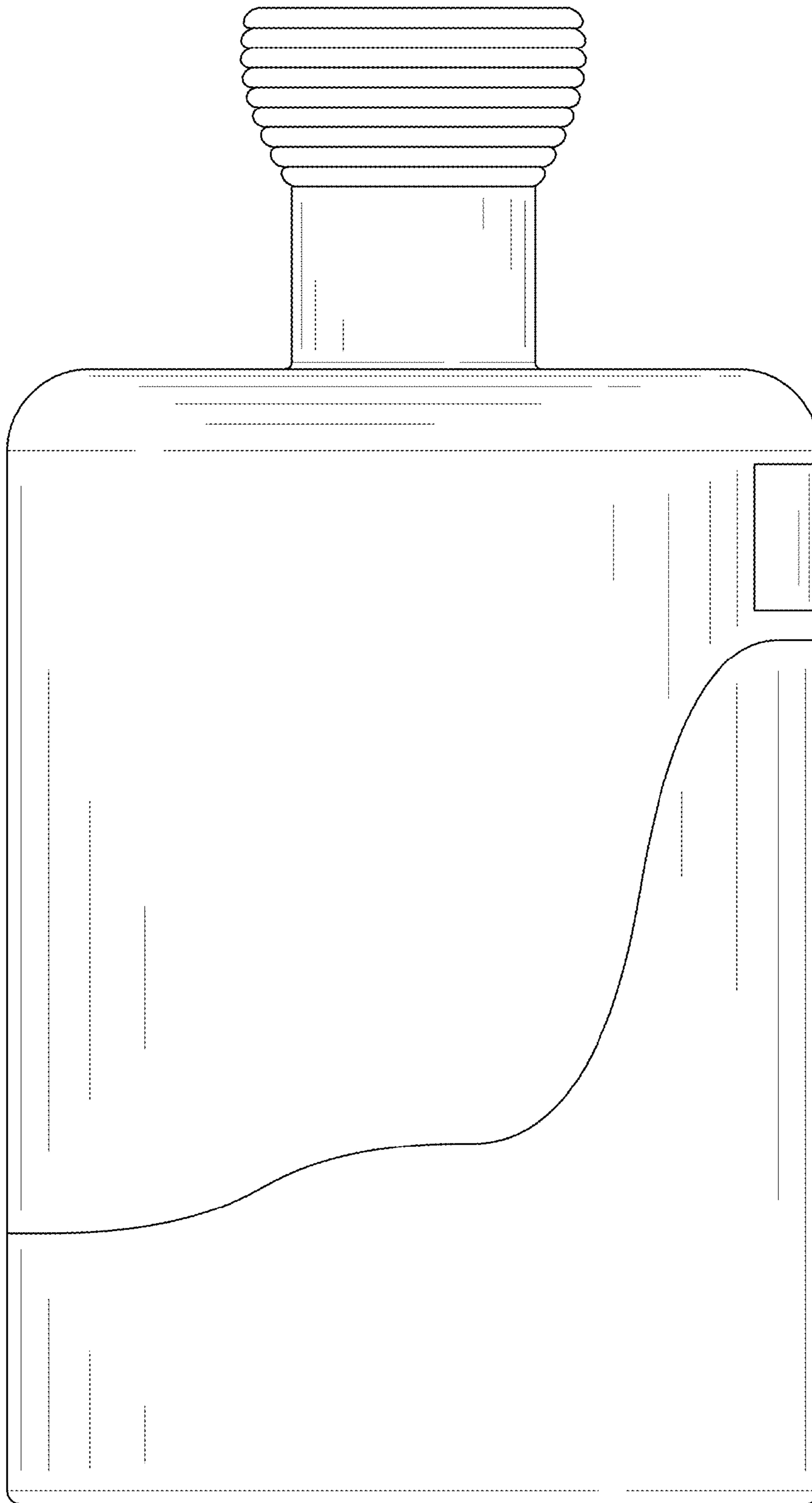


FIG. 4

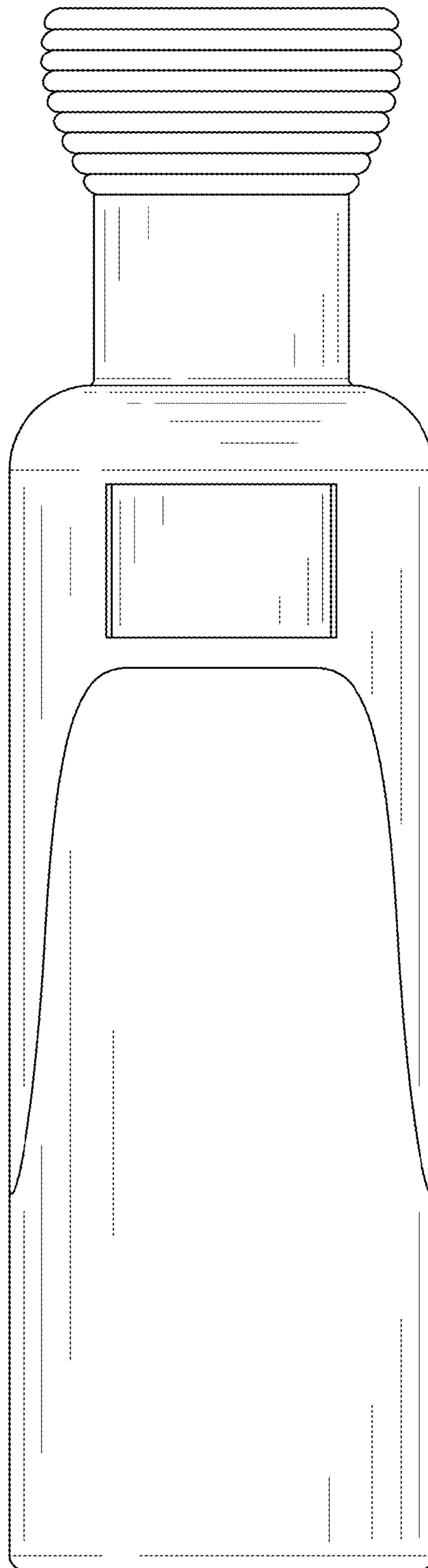


FIG. 5

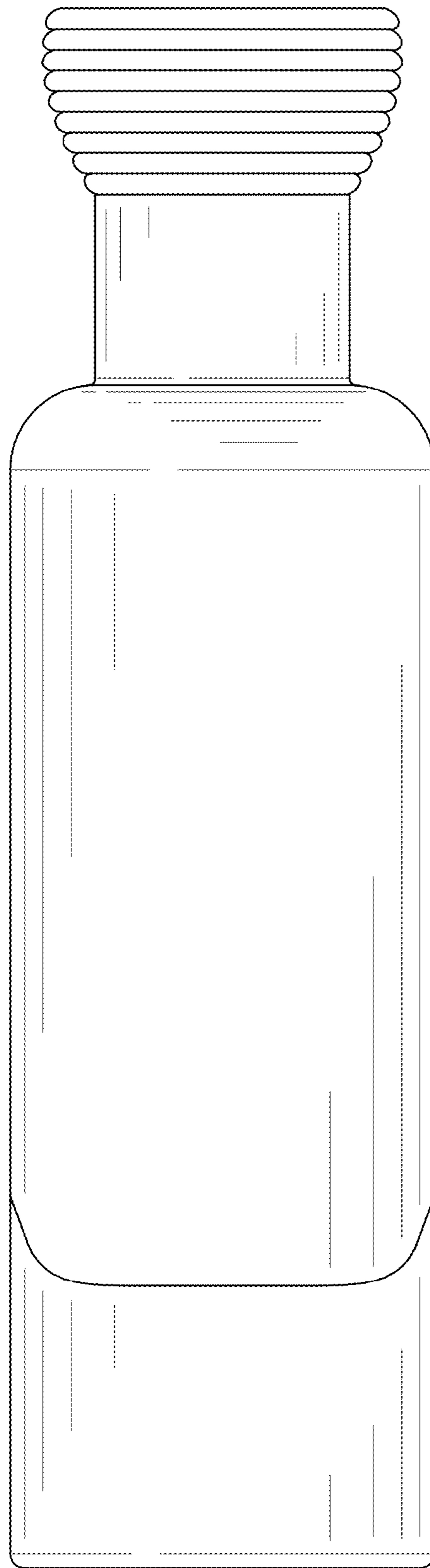


FIG. 6

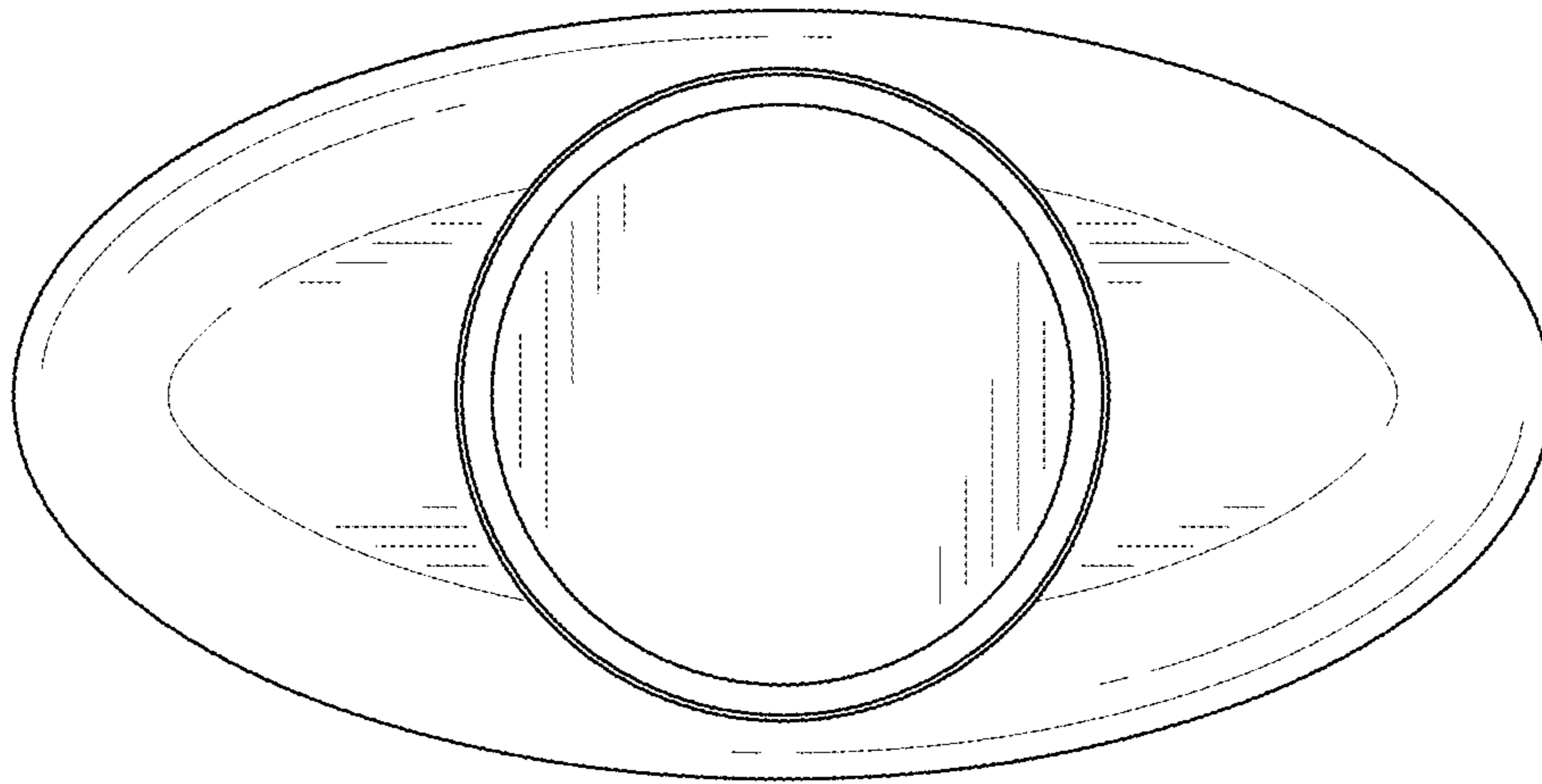


FIG. 7

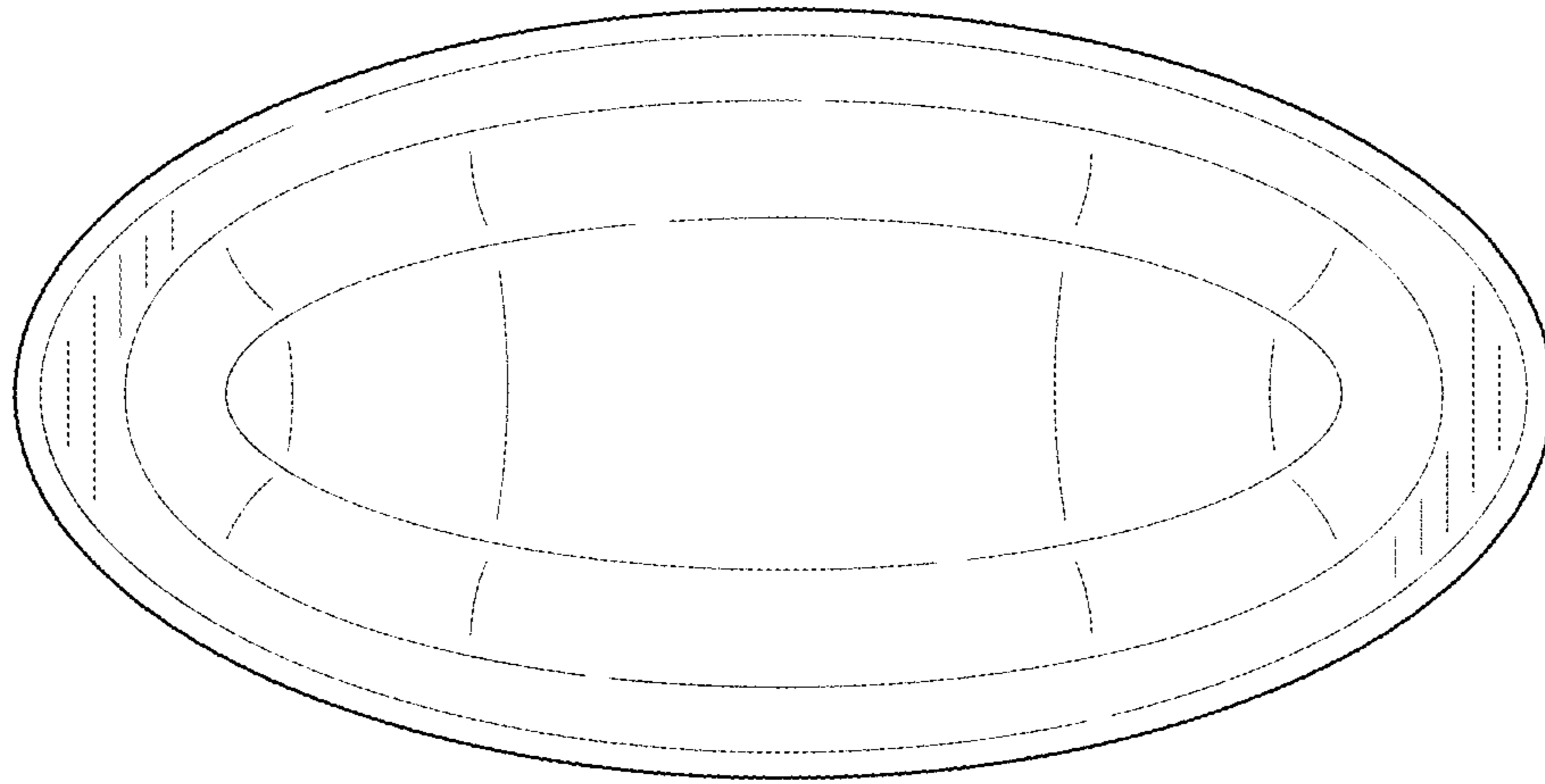


FIG. 8

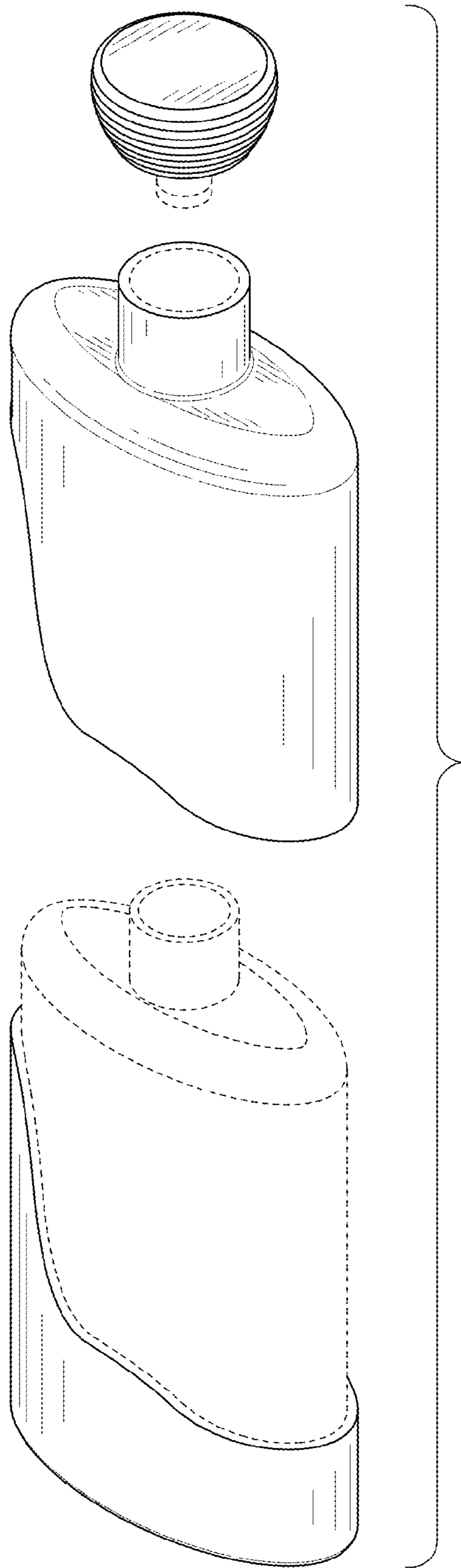


FIG. 9