



US00D923481S

(12) **United States Design Patent** (10) **Patent No.:** **US D923,481 S**
Demarest et al. (45) **Date of Patent:** **** Jun. 29, 2021**

- (54) **CONTAINER** 5,178,276 A 1/1993 Sheets
- D336,595 S 6/1993 Jones
- (71) Applicant: **Colgate-Palmolive Company**, New York, NY (US) D393,802 S 4/1998 Collette et al.
- D427,062 S * 6/2000 Alvarez B65D 55/16 D9/523
- (72) Inventors: **Scott Demarest**, Loudon, TN (US); D473,572 S 4/2003 Linberg et al.
- Oscar Xoy**, New Brunswick, NJ (US); 6,823,651 B2 11/2004 Thierjung et al.
- Vijay Rajen**, Cincinnati, OH (US); D520,367 S 5/2006 Morris
- Trivikram Belagod**, Jersey City, NJ D537,851 S 3/2007 Mount
- (US); **Zachary Nelson**, West Chester, OH (US) D538,309 S 3/2007 Mount
- 7,857,157 B2 12/2010 Lane et al.
- D646,974 S * 10/2011 Latour D9/575
- 8,678,188 B2 3/2014 Larsen
- (73) Assignee: **Colgate-Palmolive Company**, New York, NY (US) D711,438 S 8/2014 Garg
- D711,439 S 8/2014 Garg
- D711,945 S 8/2014 Garg
- D712,442 S 9/2014 Garg
- (**) Term: **15 Years** D717,658 S 11/2014 Fadelli
- D723,373 S 3/2015 Wahl
- (21) Appl. No.: **29/652,833** D751,916 S * 3/2016 Dygert D9/574
- D779,331 S * 2/2017 Robson D9/575
- (22) Filed: **Dec. 14, 2020** D791,201 S 7/2017 Kim et al.

(Continued)

Related U.S. Application Data

- (62) Division of application No. 29/674,462, filed on Dec. 21, 2018, now Pat. No. Des. 908,010.
- (51) **LOC (13) Cl.** **09-01**
- (52) **U.S. Cl.**
USPC **D9/542; D9/574; D15/90**
- (58) **Field of Classification Search**
USPC D9/522, 523, 527, 528, 529, 542, 543,
D9/558, 571, 574, 575, 516, 530, 536,
D9/540; D15/89, 90; D3/202
CPC B65D 1/0223; B65D 2501/0081; B65D
2543/00296; B65D 23/102; B65D
2543/00092
See application file for complete search history.

Primary Examiner — Brett Miller
Assistant Examiner — Rani J Abdallah

(57) **CLAIM**

The ornamental design for a container, as shown and described.

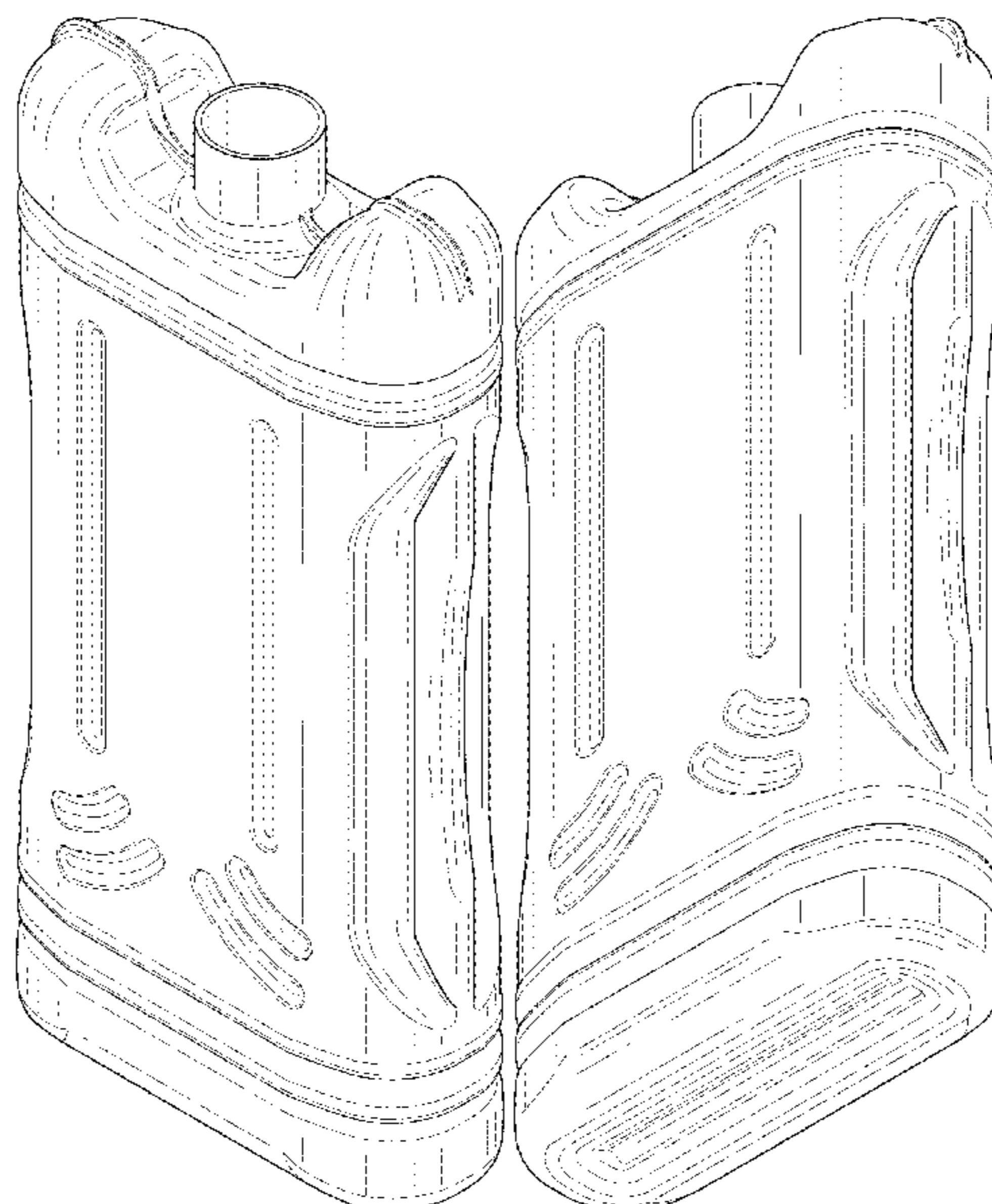
DESCRIPTION

FIG. 1 is a front perspective view of a container according to our new design;
FIG. 2 is a rear perspective view thereof;
FIG. 3 is a front view thereof;
FIG. 4 is a rear view thereof;
FIG. 5 is a left side view thereof;
FIG. 6 is a right side view thereof;
FIG. 7 is a top view thereof; and,
FIG. 8 is a bottom view thereof.

(56) **References Cited**
U.S. PATENT DOCUMENTS

- 5,002,199 A 3/1991 Frahm
- D322,383 S 12/1991 Jones

1 Claim, 6 Drawing Sheets



(56)

References Cited

U.S. PATENT DOCUMENTS

D795,076	S	8/2017	Andran	
D795,313	S	8/2017	Seiders et al.	
D803,066	S	11/2017	Rudolf	
D804,543	S	12/2017	Carvajal et al.	
D821,737	S	7/2018	Hering	
10,273,078	B2	4/2019	Zanchetta et al.	
D851,691	S	6/2019	Dai	
D886,626	S	6/2020	Fell et al.	
D905,131	S *	12/2020	Dai	D15/90
D905,132	S *	12/2020	Dai	D15/90
D907,506	S *	1/2021	Xoy	D9/542
D908,010	S *	1/2021	Demarest	D9/542
2004/0020950	A1	2/2004	Overbay	
2007/0108232	A1	5/2007	Loebach	
2012/0181283	A1 *	7/2012	Wahl	B65D 55/16 220/500
2020/0198826	A1	6/2020	Xoy et al.	

* cited by examiner

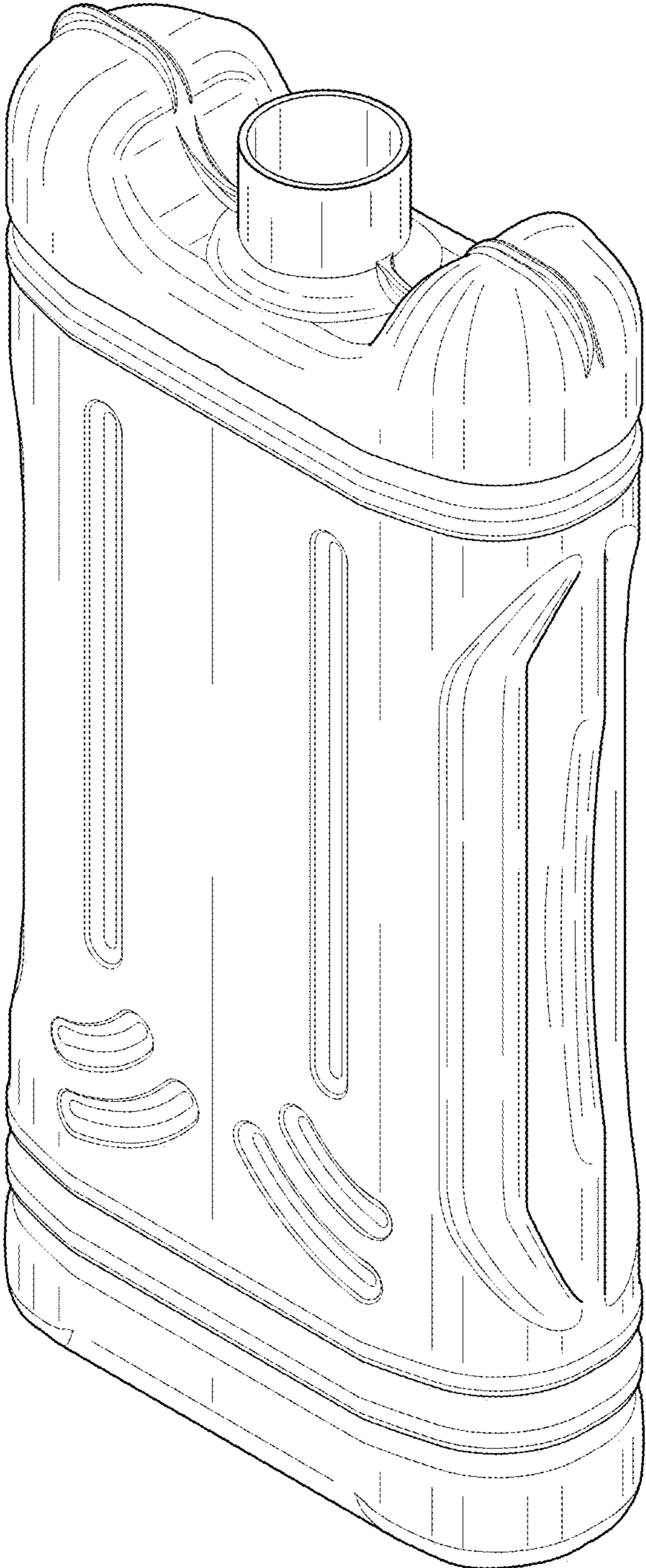


FIG. 1

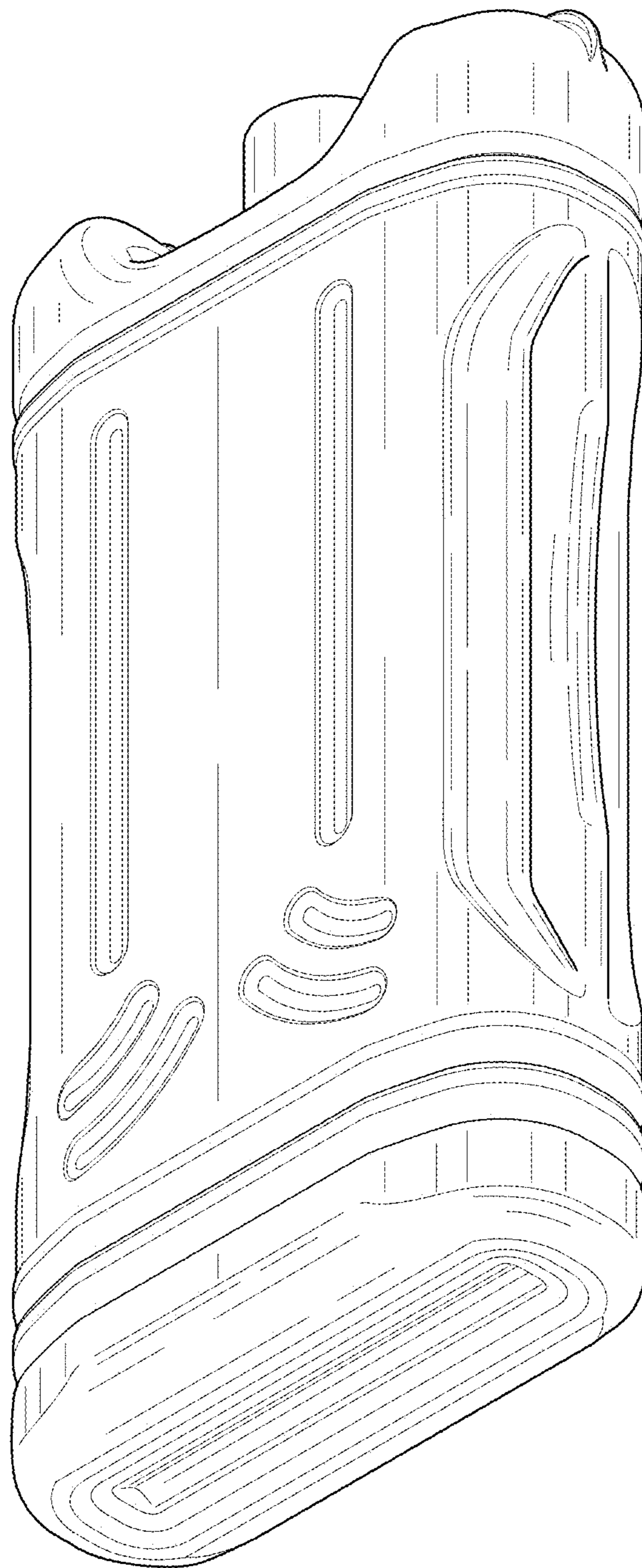


FIG. 2

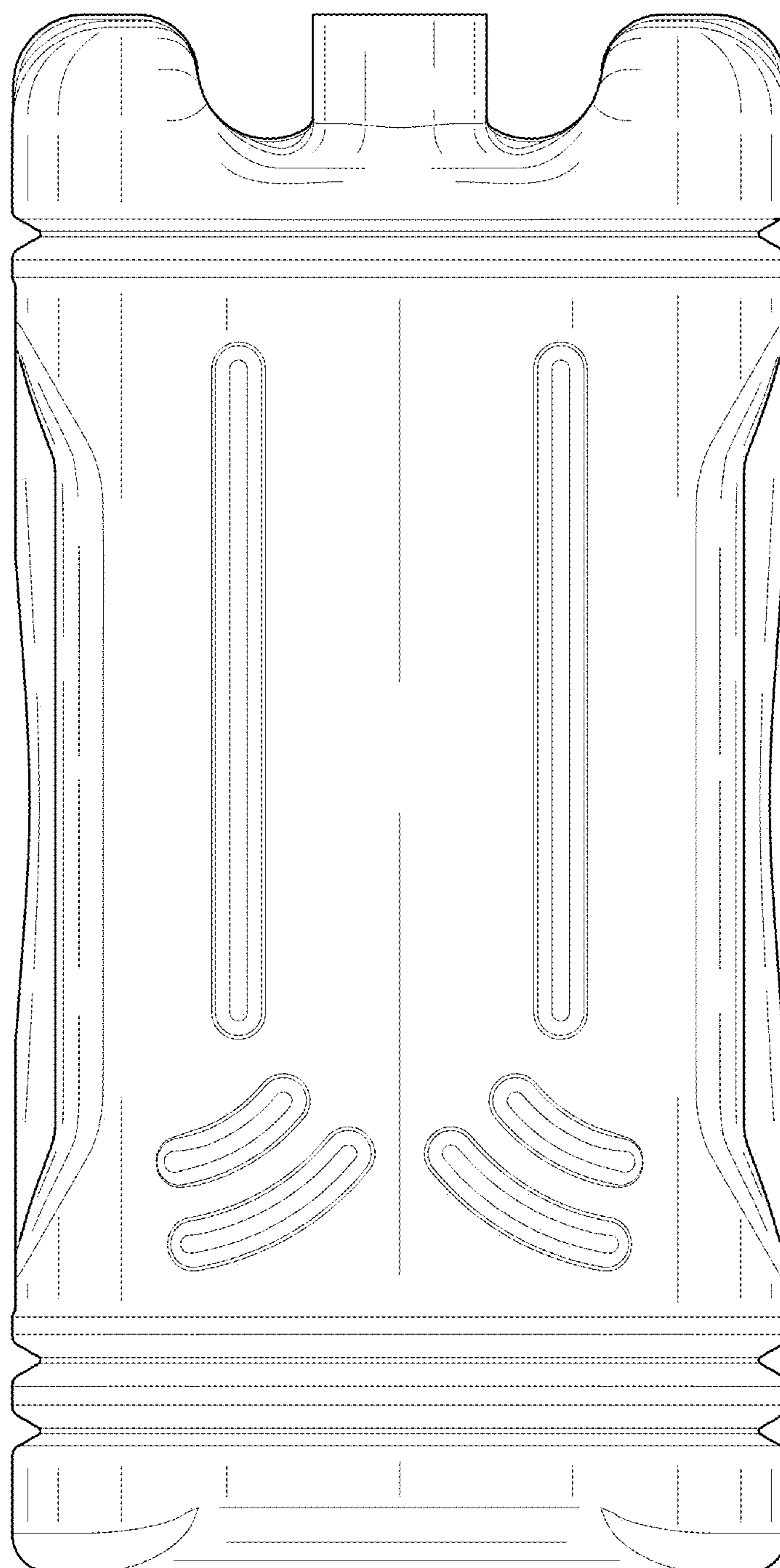


FIG. 3

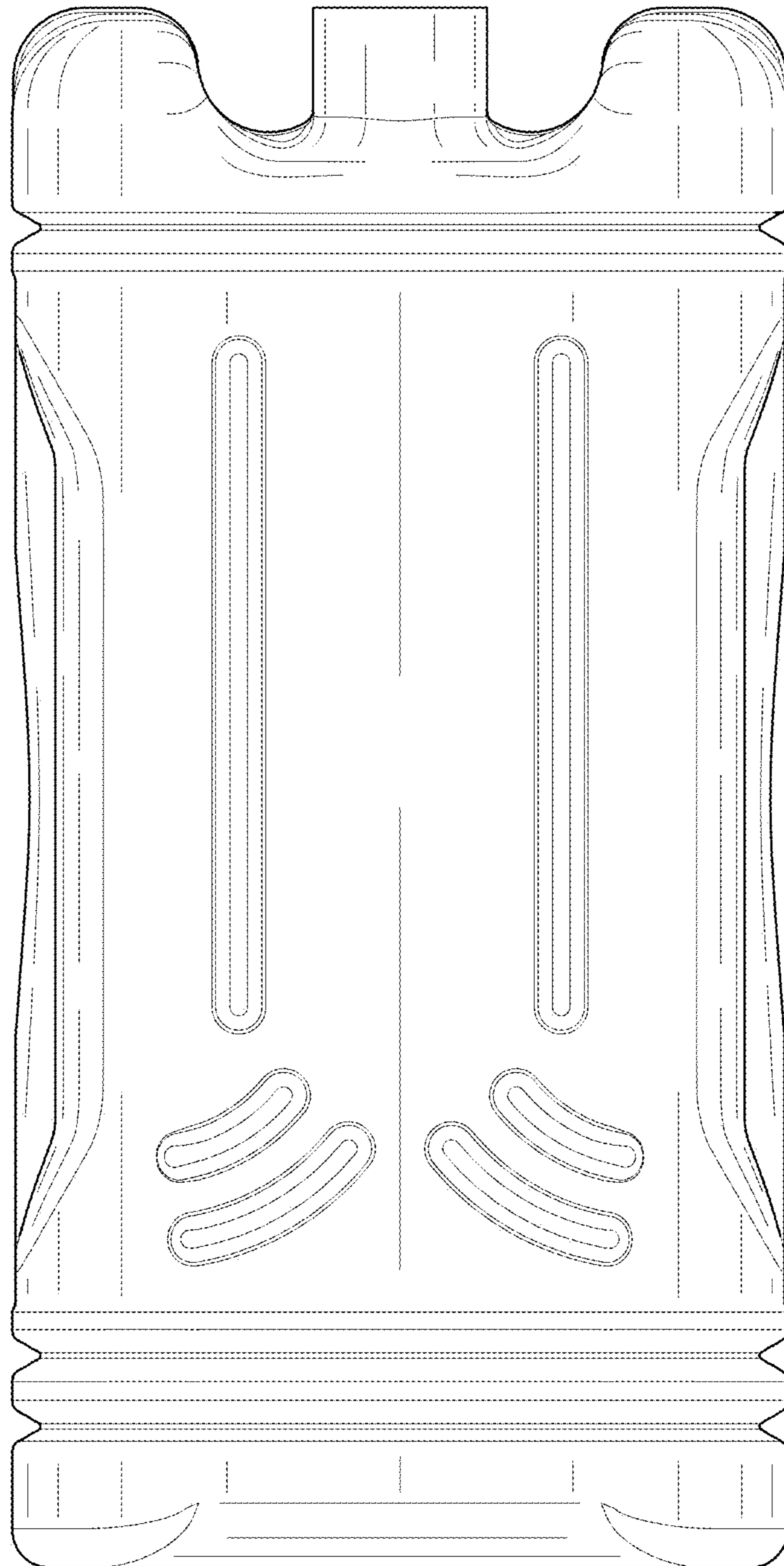


FIG. 4

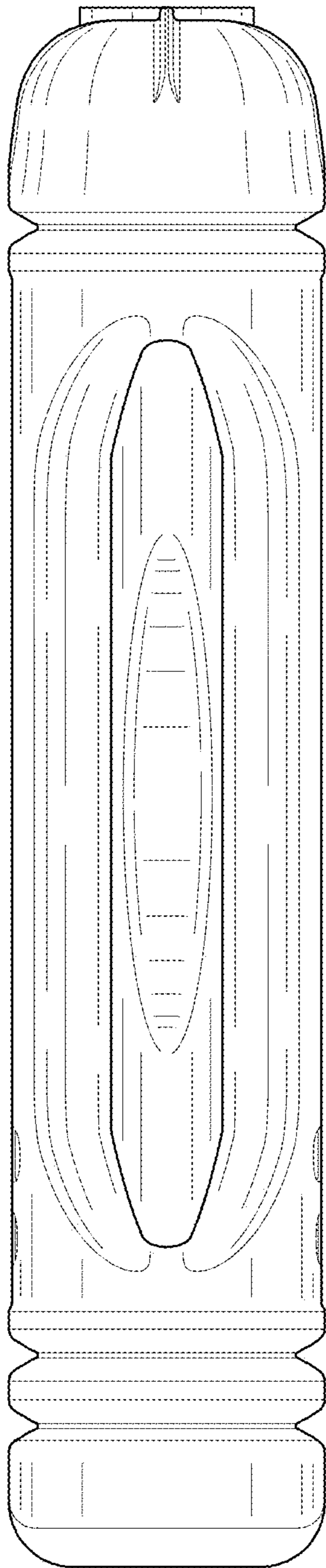


FIG. 5

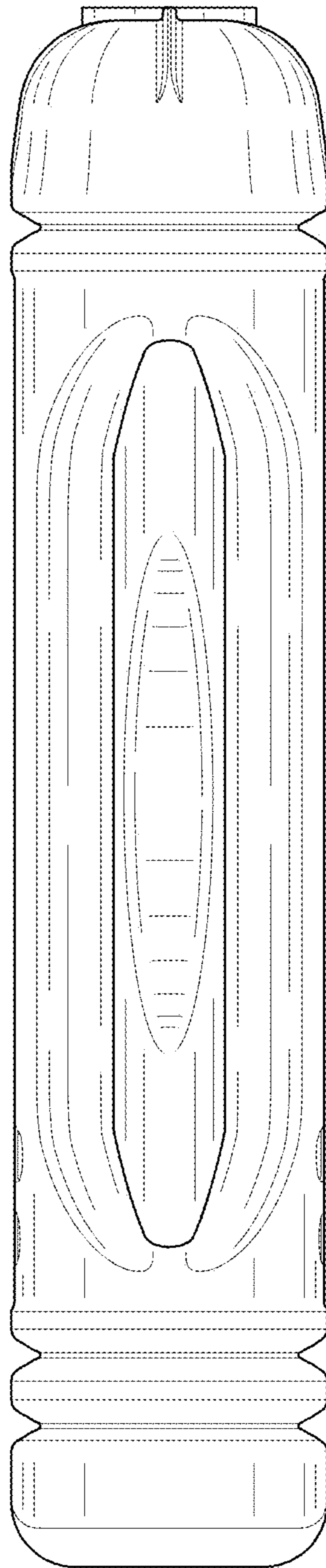


FIG. 6

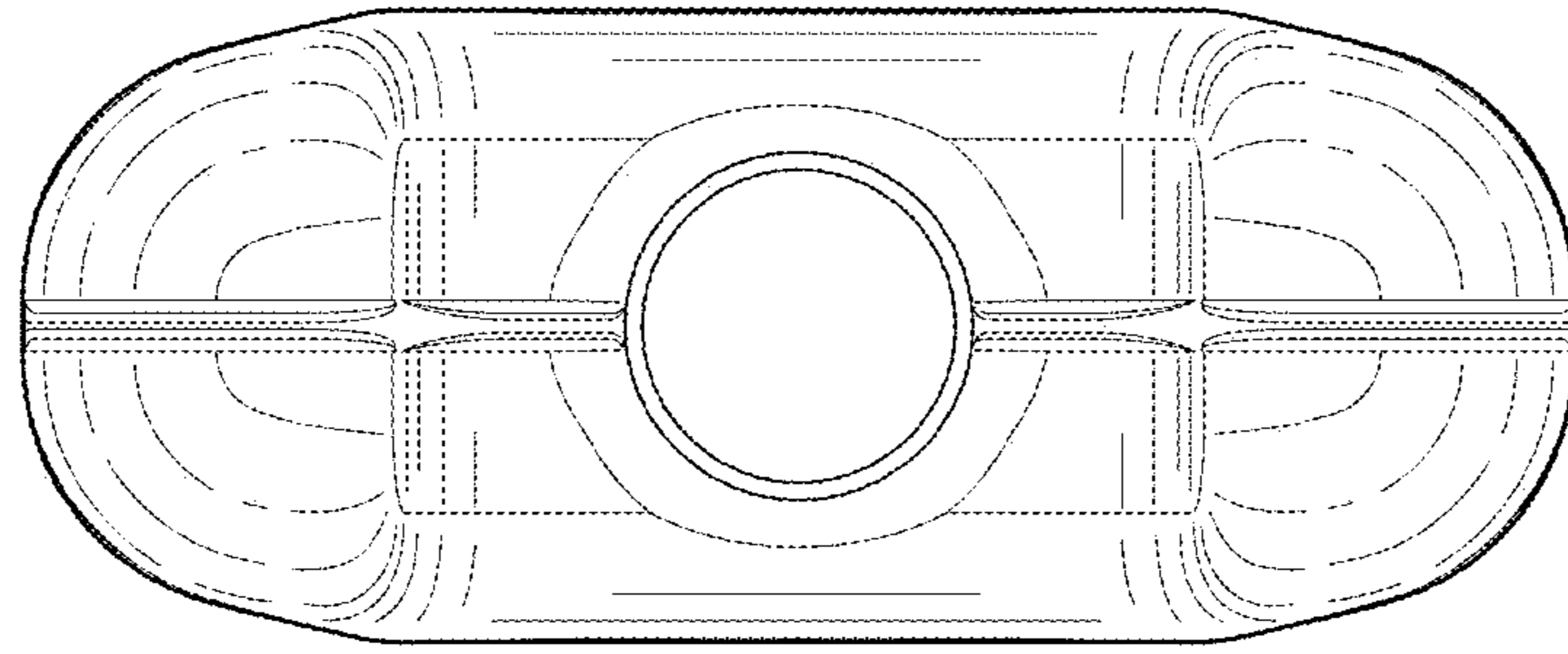


FIG. 7

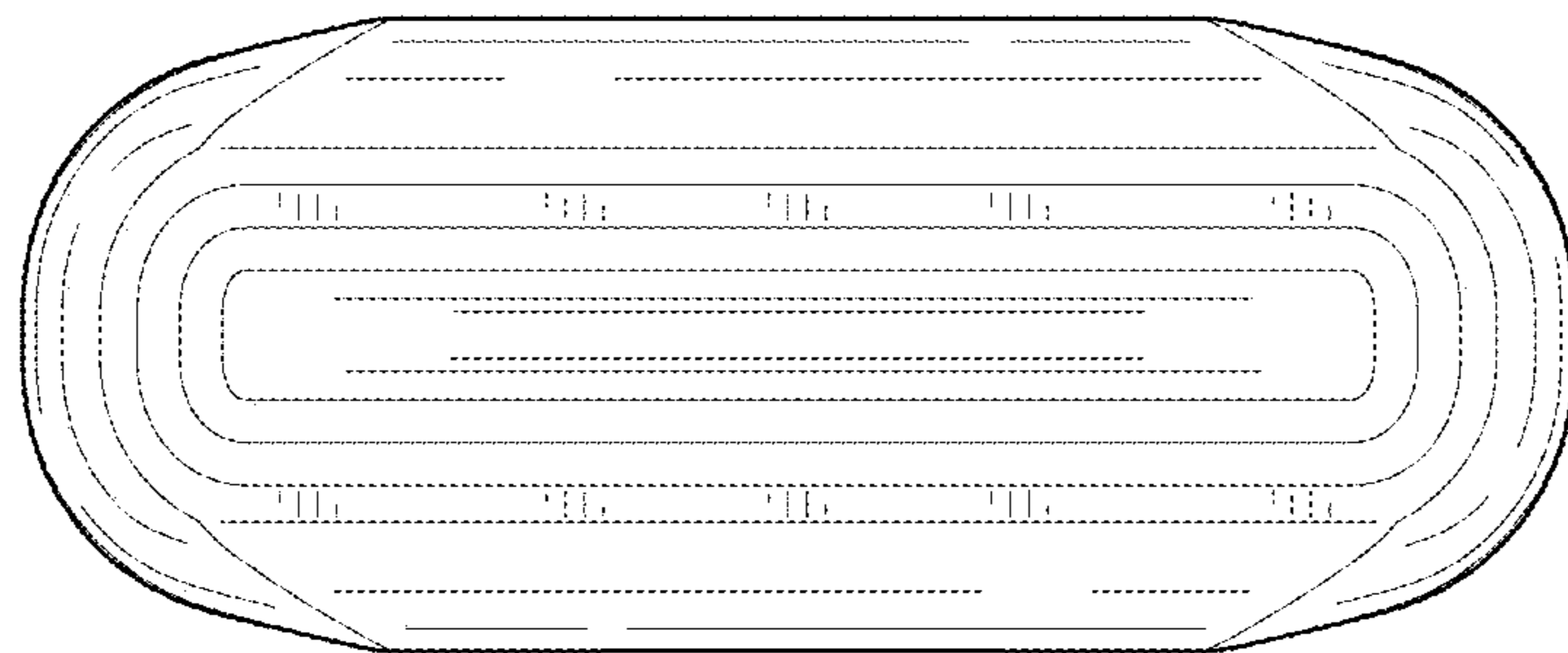


FIG. 8