



US00D923479S

(12) **United States Design Patent**  
**Kinast**

(10) **Patent No.:** **US D923,479 S**

(45) **Date of Patent:** **\*\* Jun. 29, 2021**

(54) **BOTTLE**

(71) Applicant: **BEDO SOLUTIONS, LLC**, Portland, OR (US)

(72) Inventor: **Robert M. Kinast**, Portland, OR (US)

(73) Assignee: **BEDO SOLUTIONS, LLC**, Portland, OR (US)

(\*\*) Term: **15 Years**

(21) Appl. No.: **29/656,803**

(22) Filed: **Jul. 16, 2018**

(51) **LOC (13) Cl.** ..... **09-01**

(52) **U.S. Cl.**  
USPC ..... **D9/540**

(58) **Field of Classification Search**  
USPC ..... D9/522, 530, 540, 542, 549, 558, 572,  
D9/573, 574, 690, 691, 694; D24/115  
CPC ..... B65D 1/02; B65D 1/0223; B65D 1/023;  
B65D 1/0261; B65D 2501/0009; B65D  
2501/0081; B65D 2501/009  
See application file for complete search history.

(56) **References Cited**

**U.S. PATENT DOCUMENTS**

D438,786 S \* 3/2001 Ghali ..... D9/685  
D508,414 S \* 8/2005 Lamb ..... D9/504

D546,939 S \* 7/2007 Collins ..... D24/110  
D620,366 S \* 7/2010 Bruscha ..... D9/529  
8,011,521 B2 \* 9/2011 Clark ..... B65D 23/102  
215/11.1  
D673,057 S \* 12/2012 van Haasteren ..... D9/723  
D678,080 S \* 3/2013 van Haasteren ..... D9/725  
D698,248 S \* 1/2014 Lambrecht ..... D9/522

\* cited by examiner

*Primary Examiner* — Janice Patyk

(74) *Attorney, Agent, or Firm* — Karish & Bjorgum, PC

(57) **CLAIM**

The ornamental design for a bottle, as shown and described.

**DESCRIPTION**

FIG. 1 is a side perspective view of a bottle, showing my new design.

FIG. 2 is a side view thereof.

FIG. 3 is front view thereof.

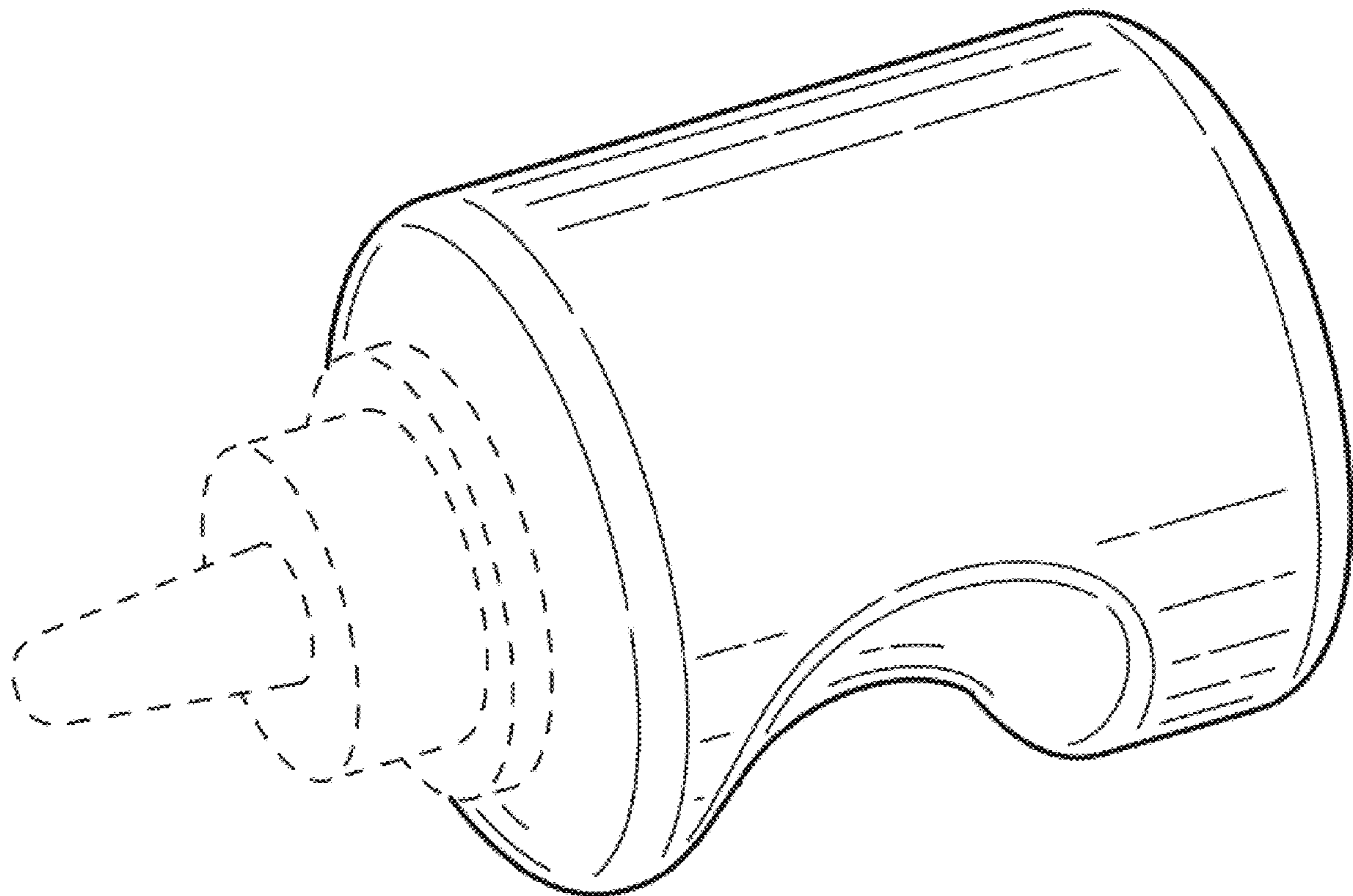
FIG. 4 is rear view thereof.

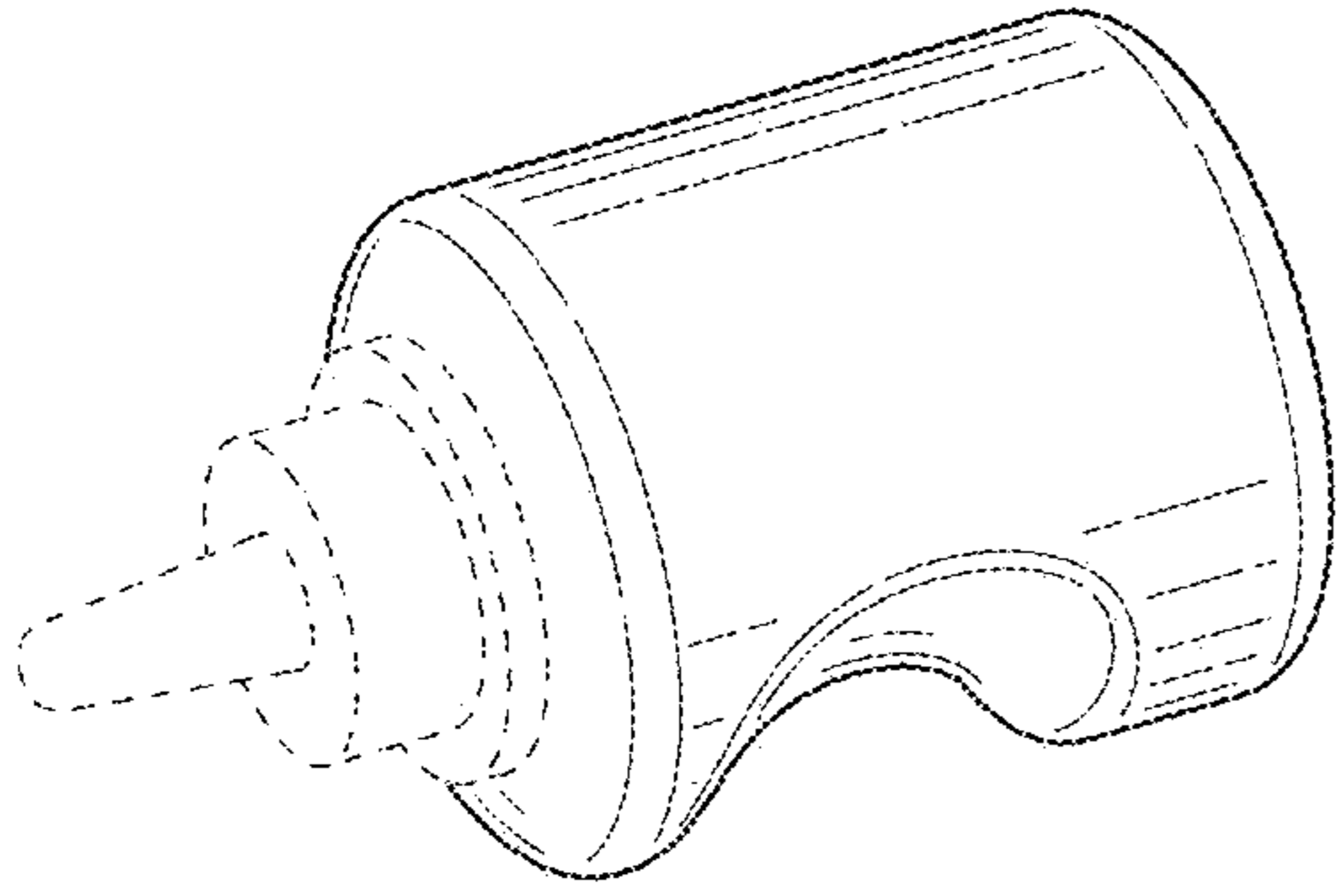
FIG. 5 is top view thereof; and,

FIG. 6 is a bottom view thereof.

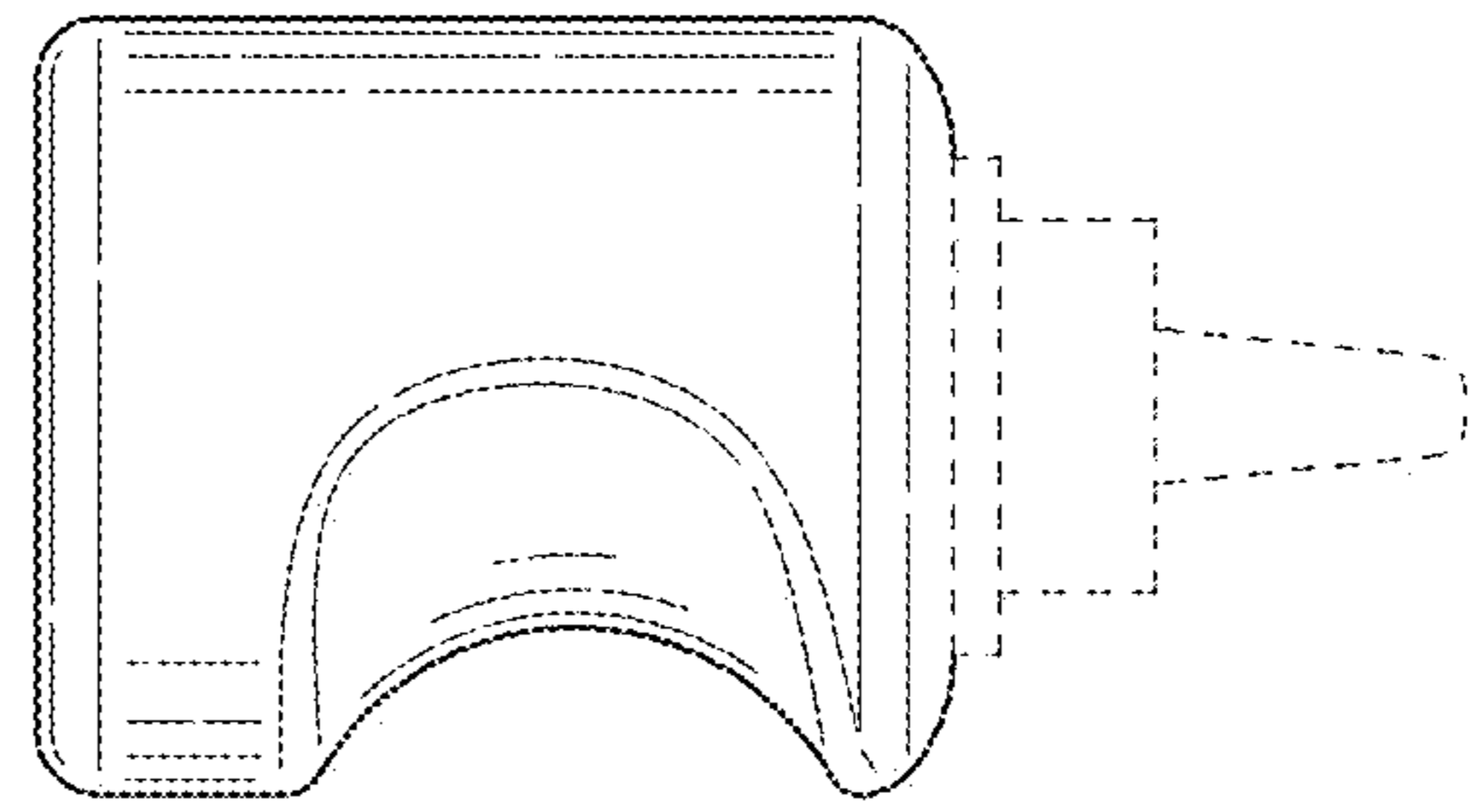
The broken lines in the figures illustrate the portions of the design that form no part of the claimed design.

**1 Claim, 1 Drawing Sheet**

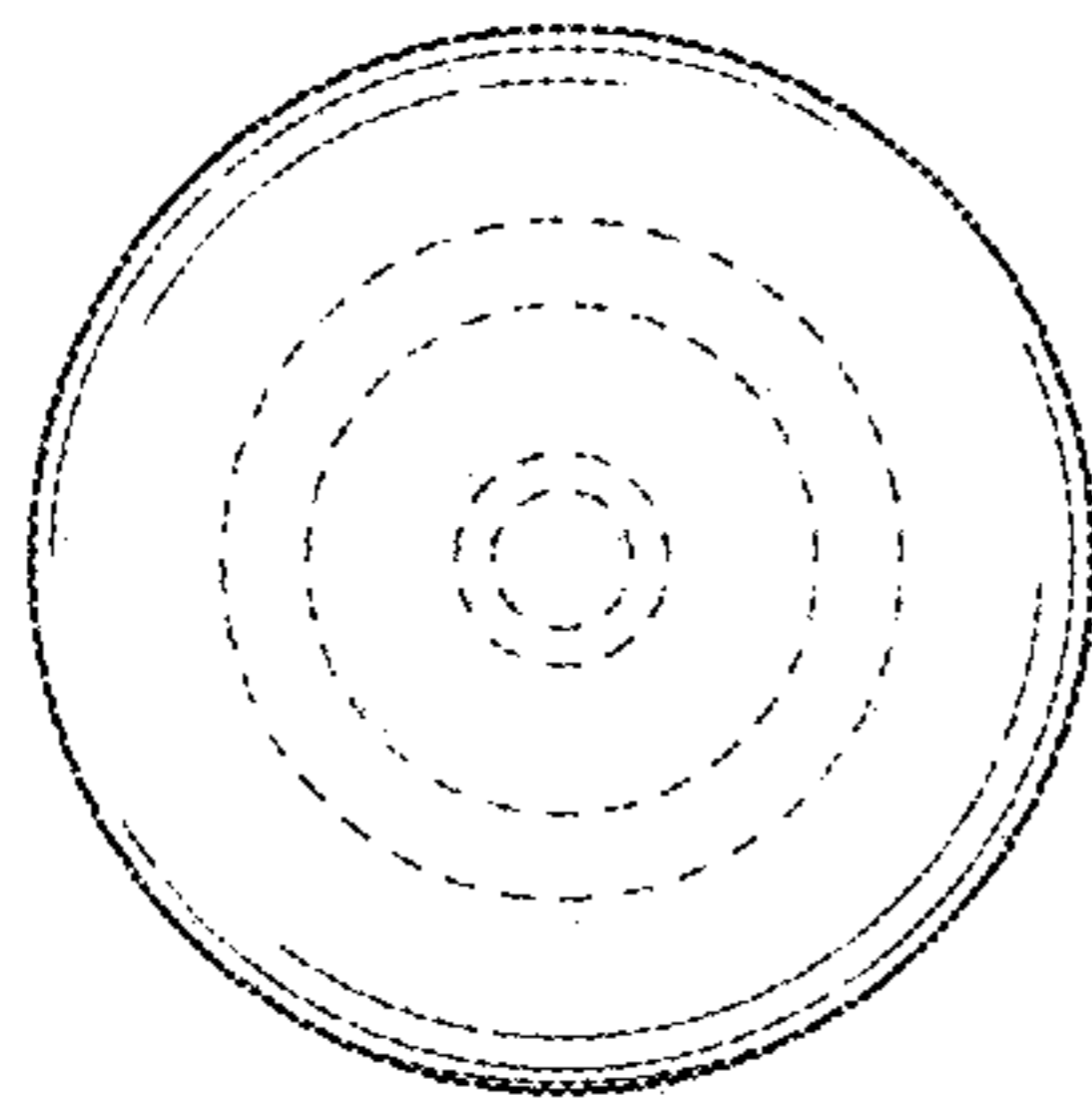




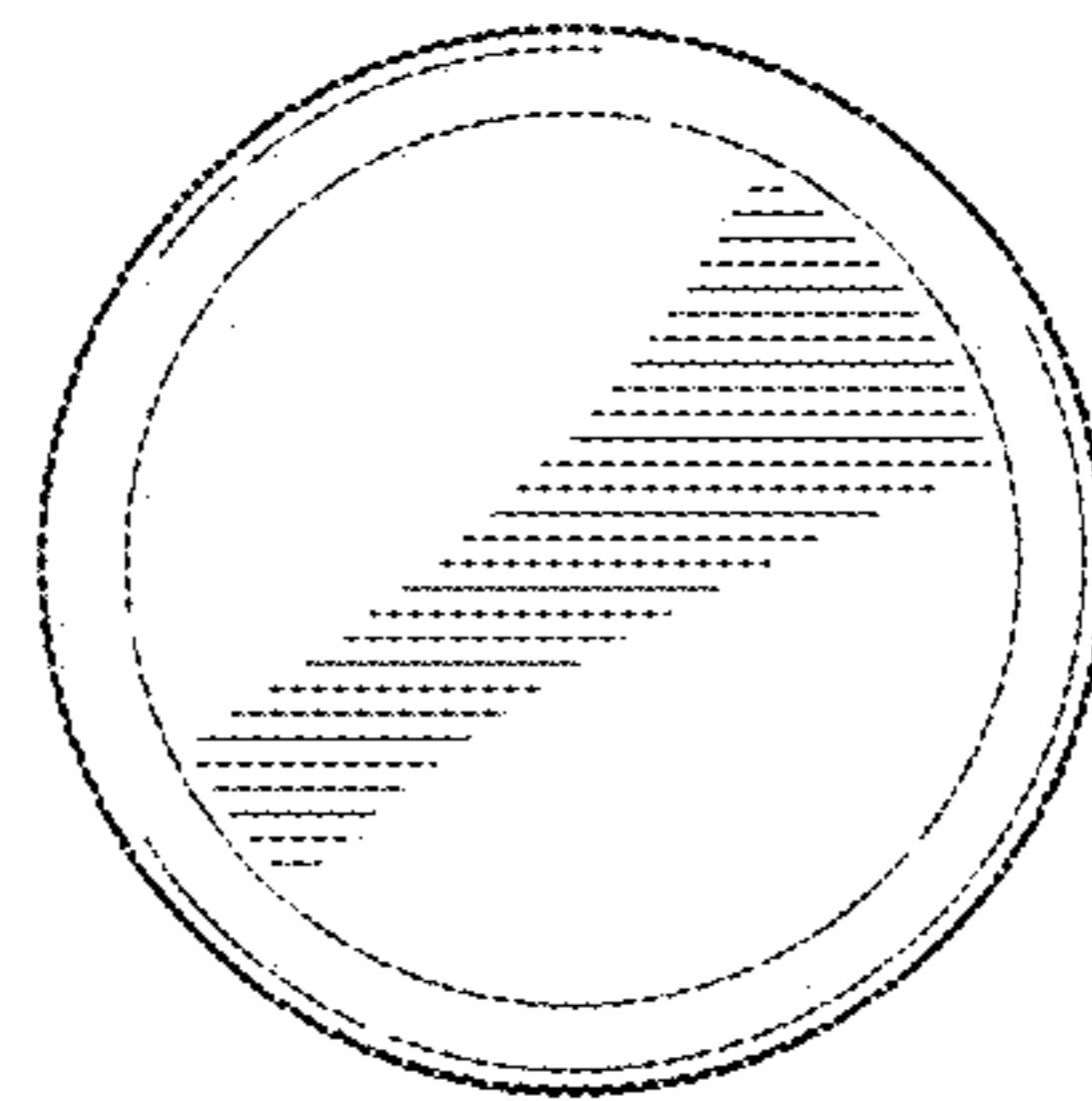
*FIG. 1*



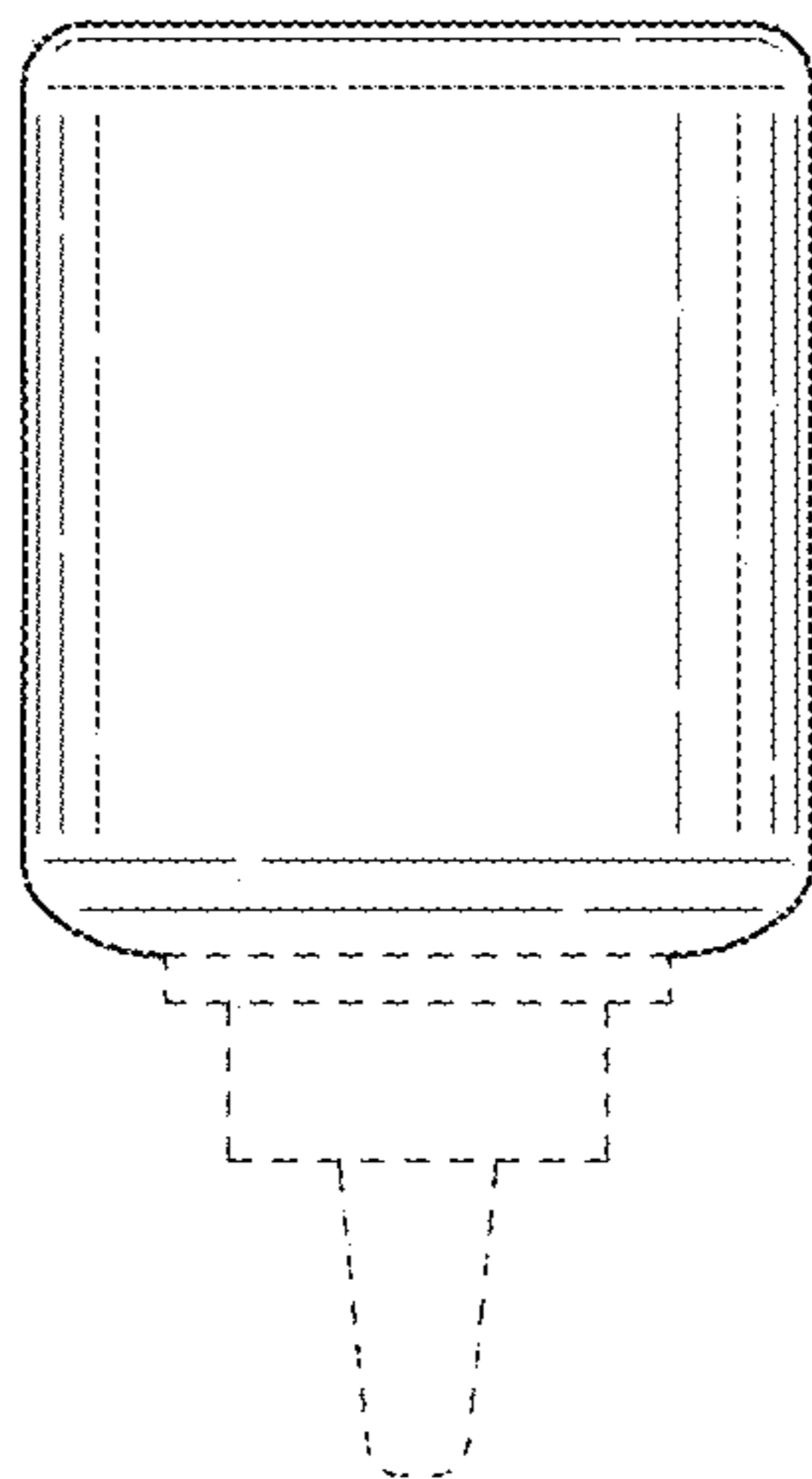
*FIG. 2*



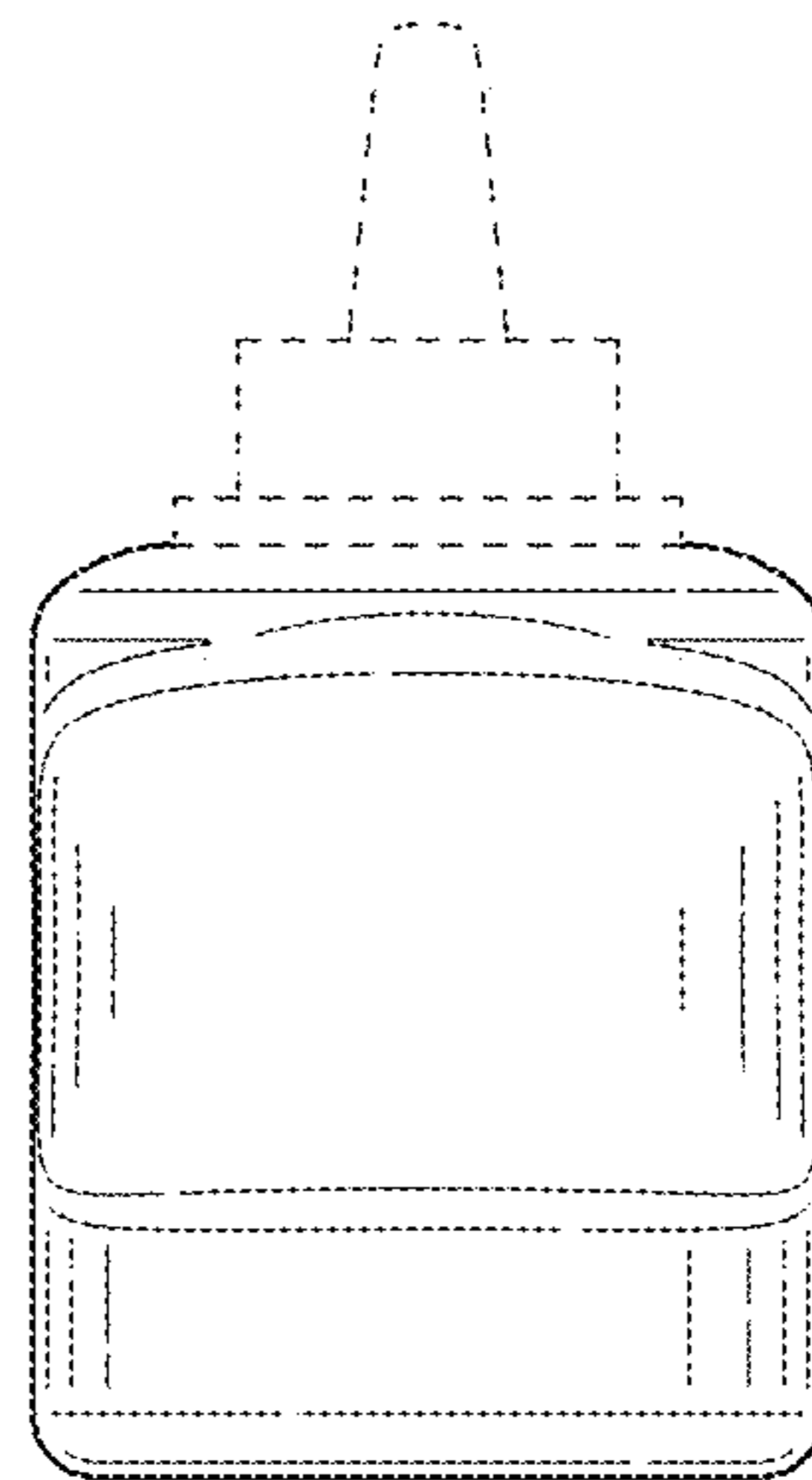
*FIG. 3*



*FIG. 4*



*FIG. 5*



*FIG. 6*