



US00D923478S

(12) **United States Design Patent**
Sestak

(10) **Patent No.:** **US D923,478 S**
(45) **Date of Patent:** **** Jun. 29, 2021**

- (54) **BOTTLE**
- (71) Applicant: **SAKURA FINETEK U.S.A., INC.**,
Torrance, CA (US)
- (72) Inventor: **Joseph T. Sestak**, Erie, PA (US)
- (73) Assignee: **SAKURA FINETEK U.S.A., INC.**,
Torrance, CA (US)
- (**) Term: **15 Years**
- (21) Appl. No.: **29/691,389**
- (22) Filed: **May 15, 2019**
- (51) **LOC (13) Cl.** **09-01**
- (52) **U.S. Cl.**
USPC **D9/527**; D9/523
- (58) **Field of Classification Search**
USPC D9/522, 523, 527, 528, 529, 542, 543,
D9/558, 571, 574, 575, 742, 763, 783;
D23/211.1, 211.2
CPC B65D 1/0223; B65D 2501/0081; B65D
2543/00296; B65D 23/102; B65D
2543/00092; B65D 11/06
See application file for complete search history.

(56) **References Cited**

U.S. PATENT DOCUMENTS

- D189,768 S * 2/1961 Menghi D23/211.1
- 3,940,002 A * 2/1976 Schiemann B65D 11/06
215/383
- D243,386 S * 2/1977 Hoyt D9/529
- D248,830 S * 8/1978 Anderson D9/523
- D282,440 S * 2/1986 Gordon, Jr. D9/527
- D336,433 S * 6/1993 Guislain D9/527
- D338,158 S * 8/1993 Poirier D23/211.1
- D426,385 S * 6/2000 Fang D3/273
- D528,425 S * 9/2006 Van Dorin D9/527
- D549,579 S * 8/2007 Lopez D9/516

- D554,509 S * 11/2007 Ghalebi D9/523
- D595,583 S * 7/2009 Lovelace, Jr. B65D 25/2885
D9/528
- D606,162 S * 12/2009 McAvey D23/211.1
- D628,896 S * 12/2010 Smith D9/516
- D636,056 S * 4/2011 Pritchard D23/211.1
- D650,285 S * 12/2011 Smith D9/516
- D651,093 S * 12/2011 Van Rens D9/543

(Continued)

OTHER PUBLICATIONS

Tim Johnson, Surecan Gas Can Review, Oct. 8, 2015, Protocol Review website, URL: <https://www.protocolreviews.com/tools/outdoor-equipment/surecan-gas-can/18909/> (Year: 2015).*

Primary Examiner — Brett Miller

Assistant Examiner — Rani J Abdallah

(74) *Attorney, Agent, or Firm* — William Thomas Babbitt; Leech Tishman Fuscaldo & Lampl

(57) **CLAIM**

The ornamental design for a bottle, as shown and described.

DESCRIPTION

FIG. 1 is a perspective view of a bottle showing the claimed design;

FIG. 2 is a plan view of the top of the bottle;

FIG. 3 is a plan view of the bottom of the bottle;

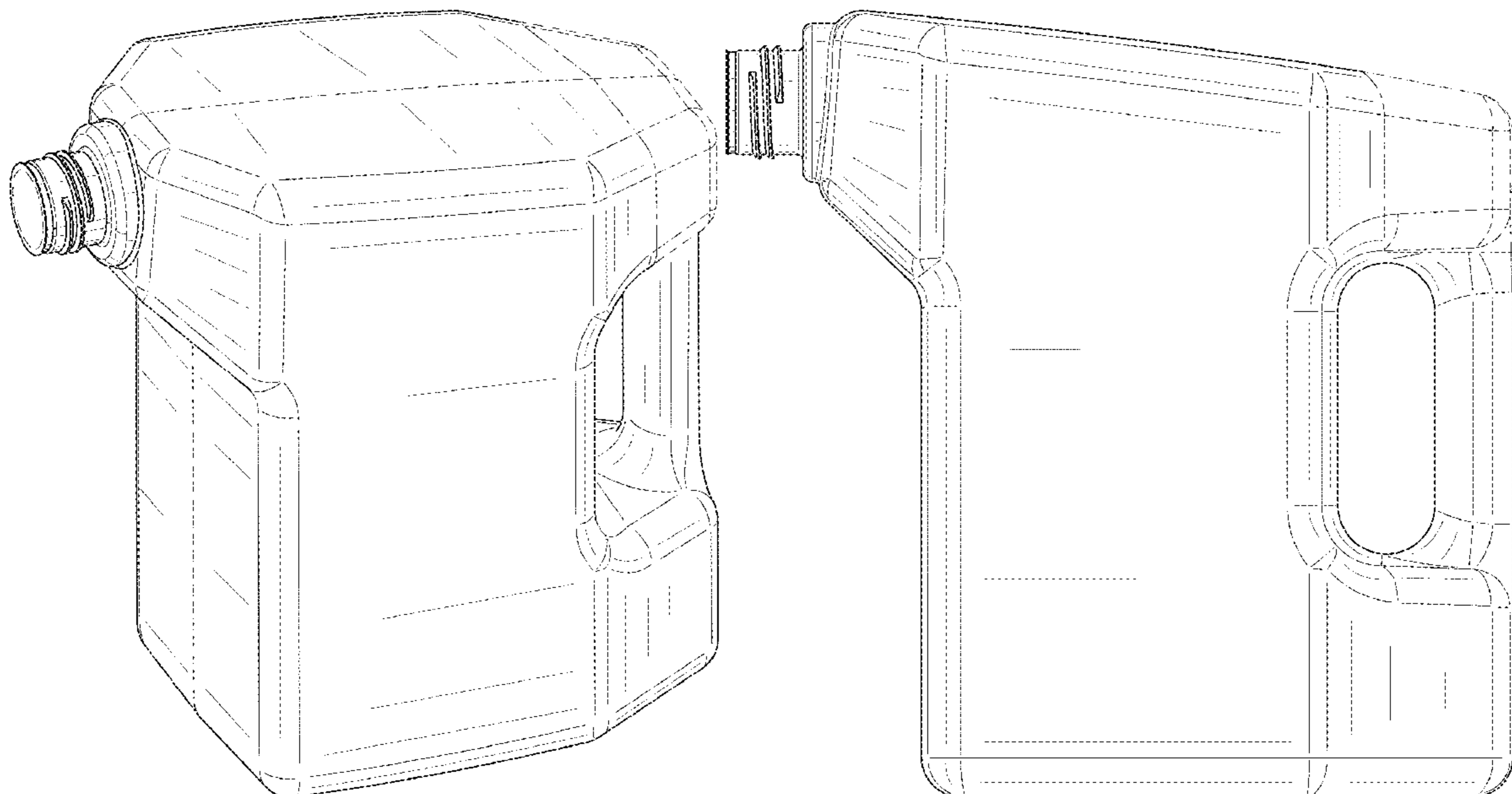
FIG. 4 is an elevational view of the first side of the bottle;

FIG. 5 is an elevational view of the second side of the bottle;

FIG. 6 is an elevational view of the front side of the bottle; and,

FIG. 7 is an elevational view of the rear side of the bottle. The dash-dash broken lines shown illustrate portions of the bottle. The dash-dot broken lines represent the bounds of the claim. The broken lines form no part of the claimed design.

1 Claim, 7 Drawing Sheets



(56)

References Cited

U.S. PATENT DOCUMENTS

D657,558 S *	4/2012	Cover	D23/211.1
D658,500 S *	5/2012	Haupt	D9/543
D734,425 S *	7/2015	Gilliam	D23/211.2
D839,991 S *	2/2019	Kasper	D23/211.1
D883,790 S *	5/2020	Garcia de Alba Morales	D9/528

* cited by examiner

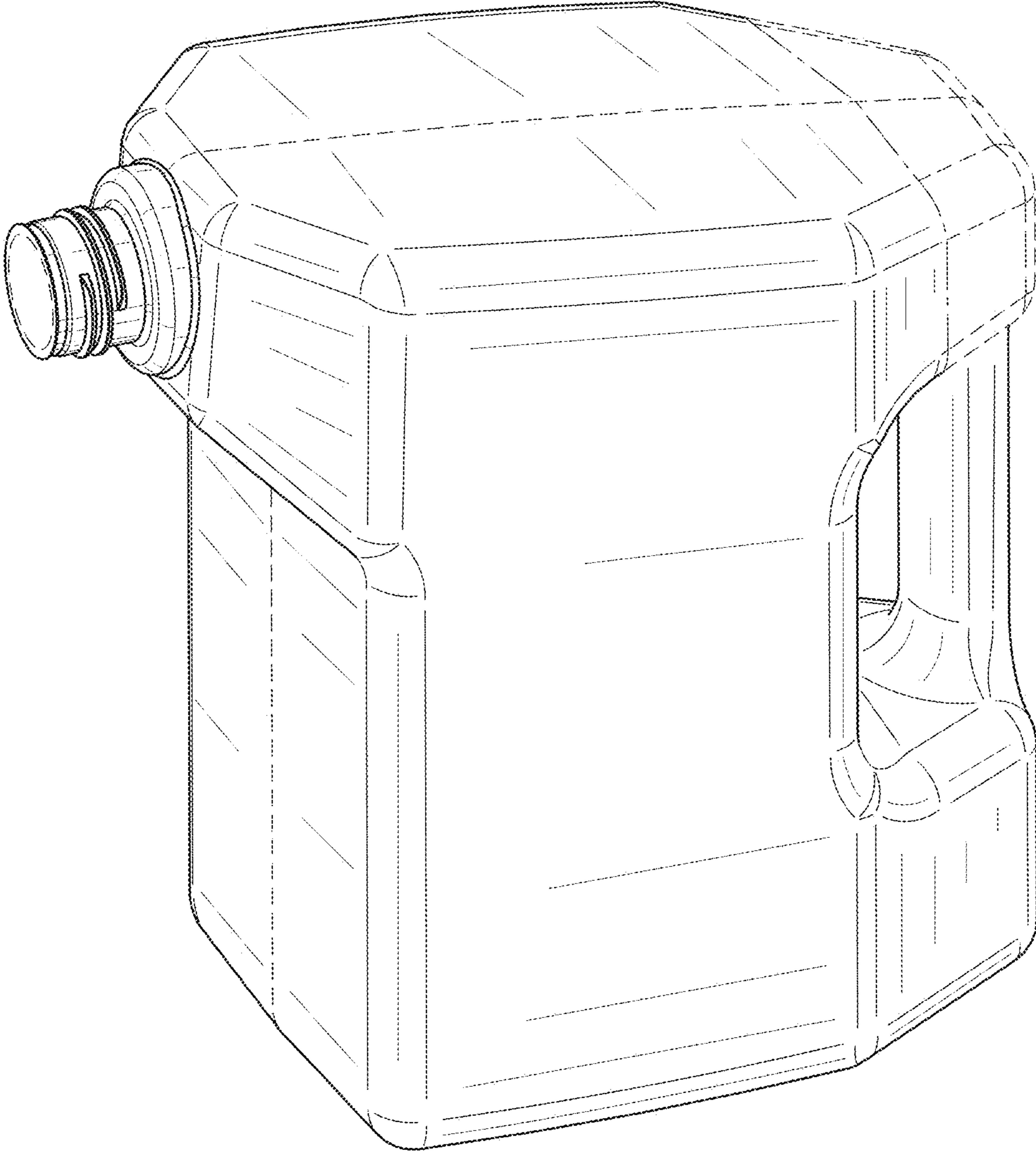


FIG. 1

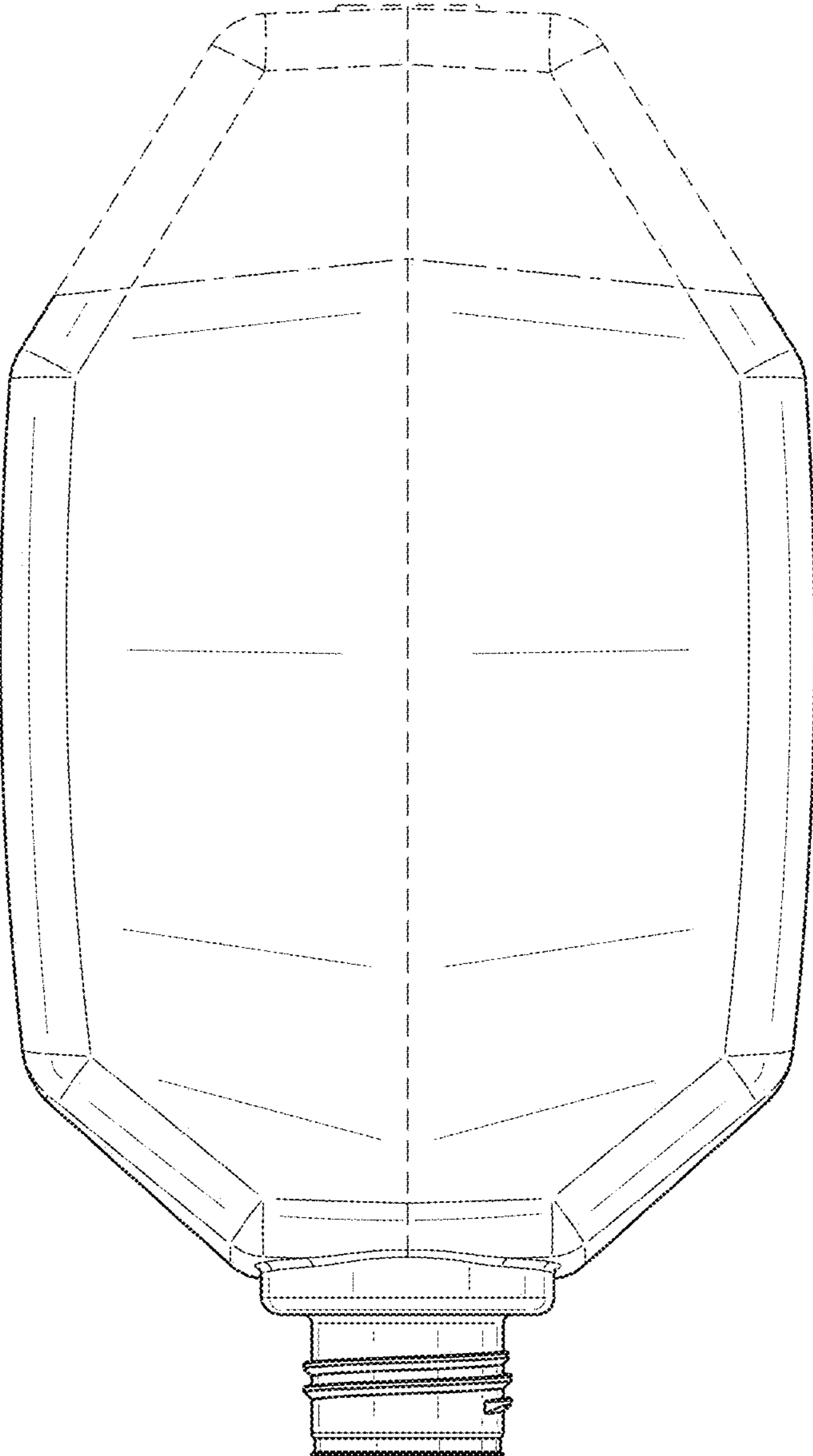


FIG. 2

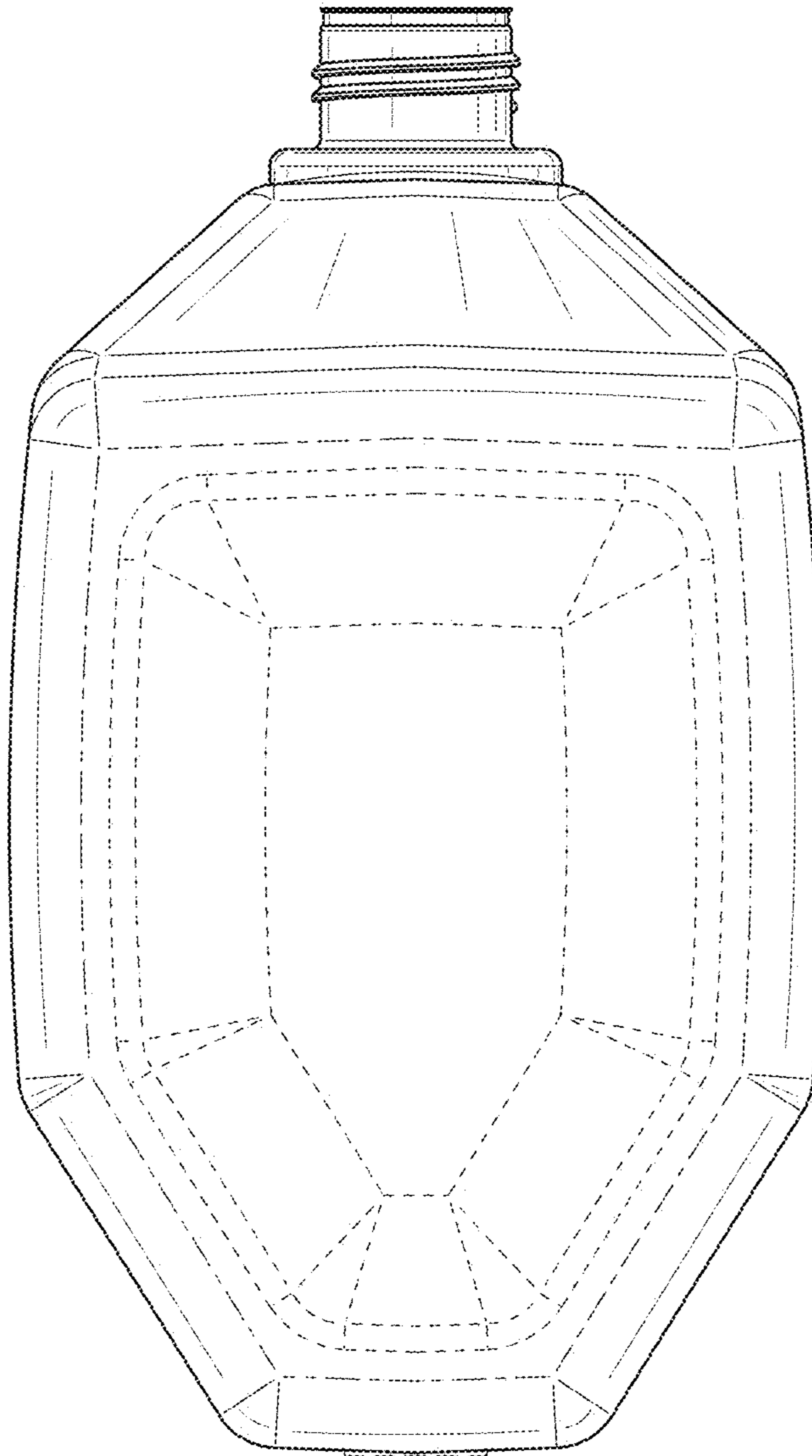


FIG. 3

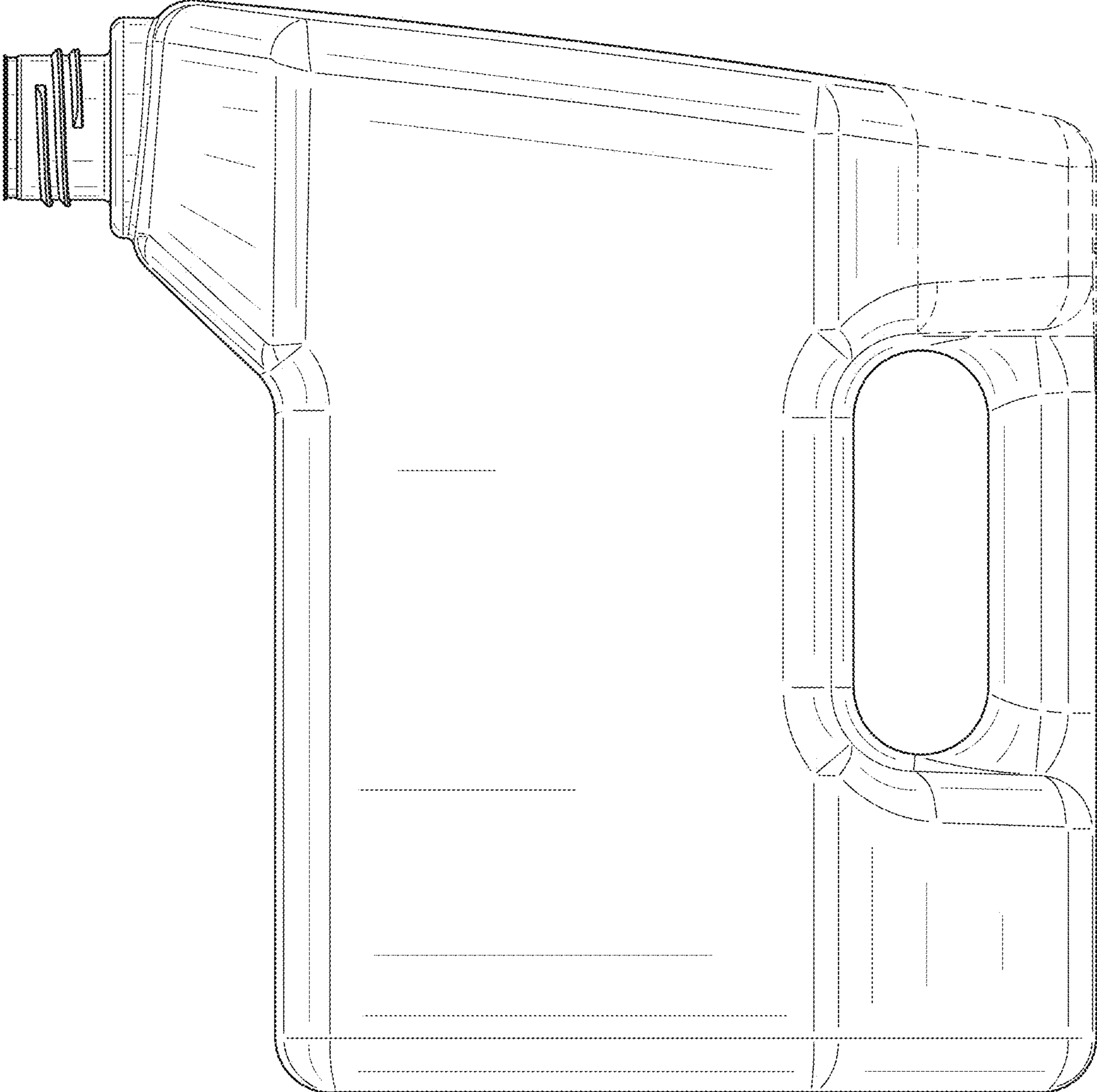


FIG. 4

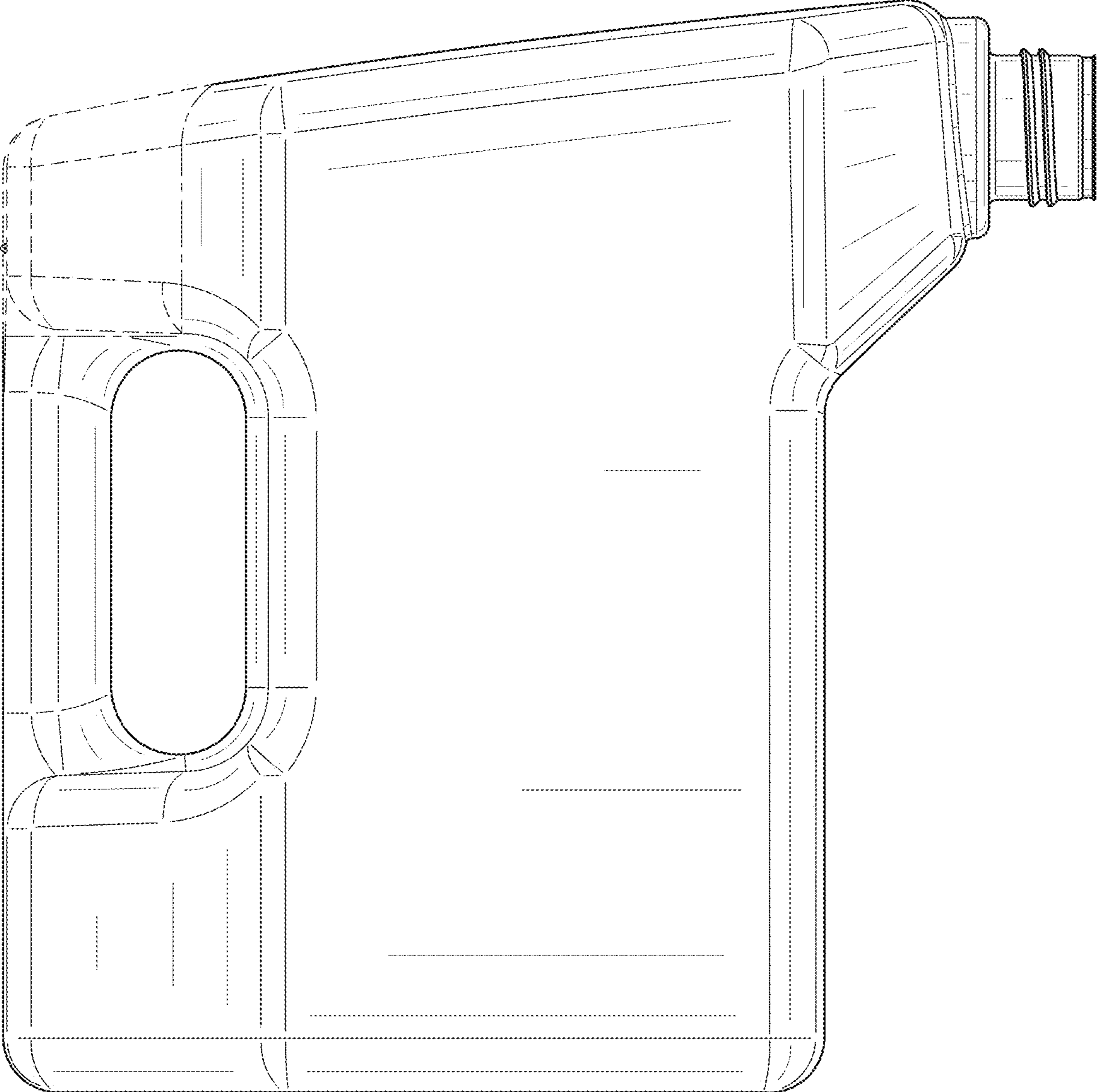


FIG. 5

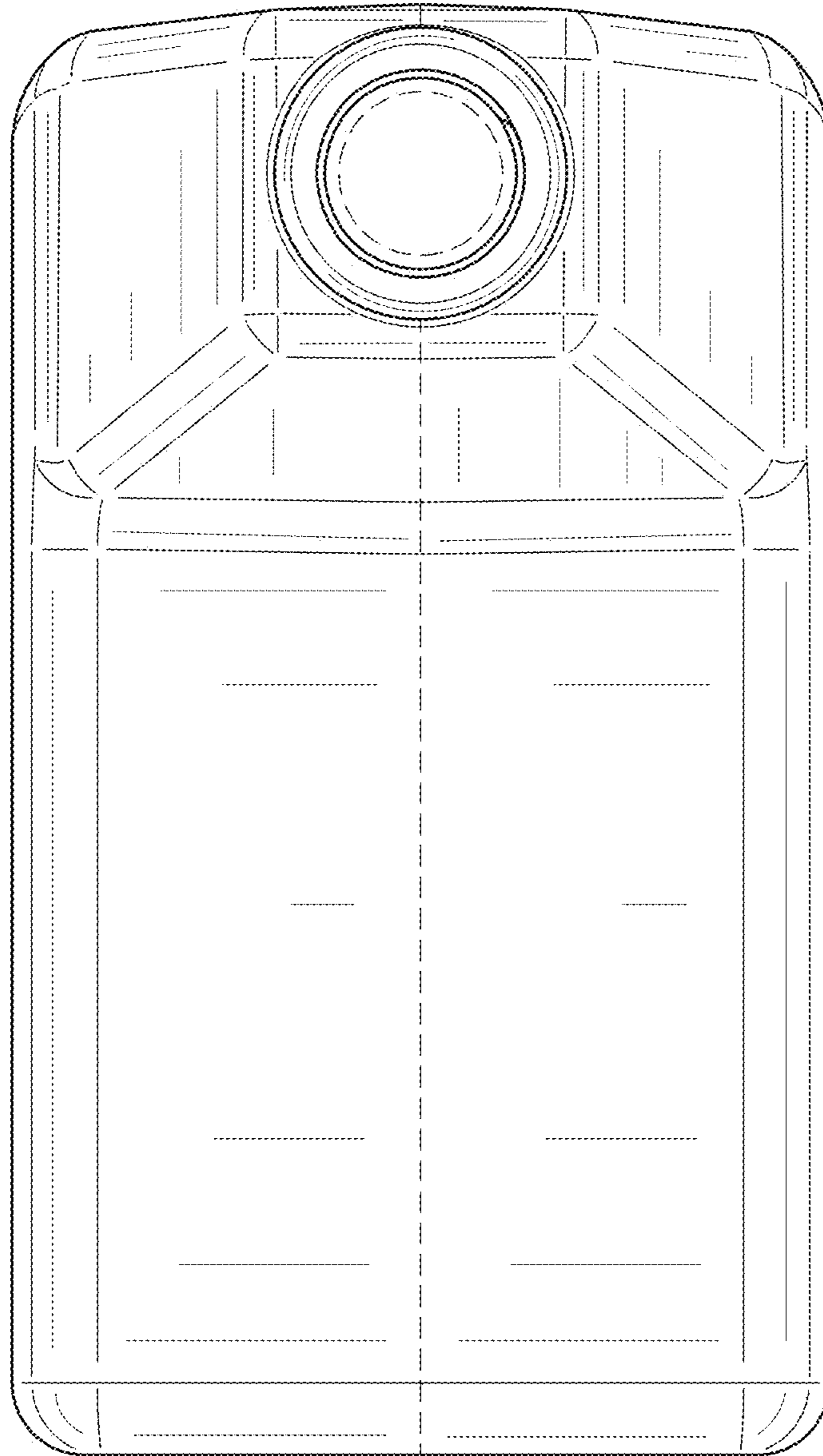


FIG. 6

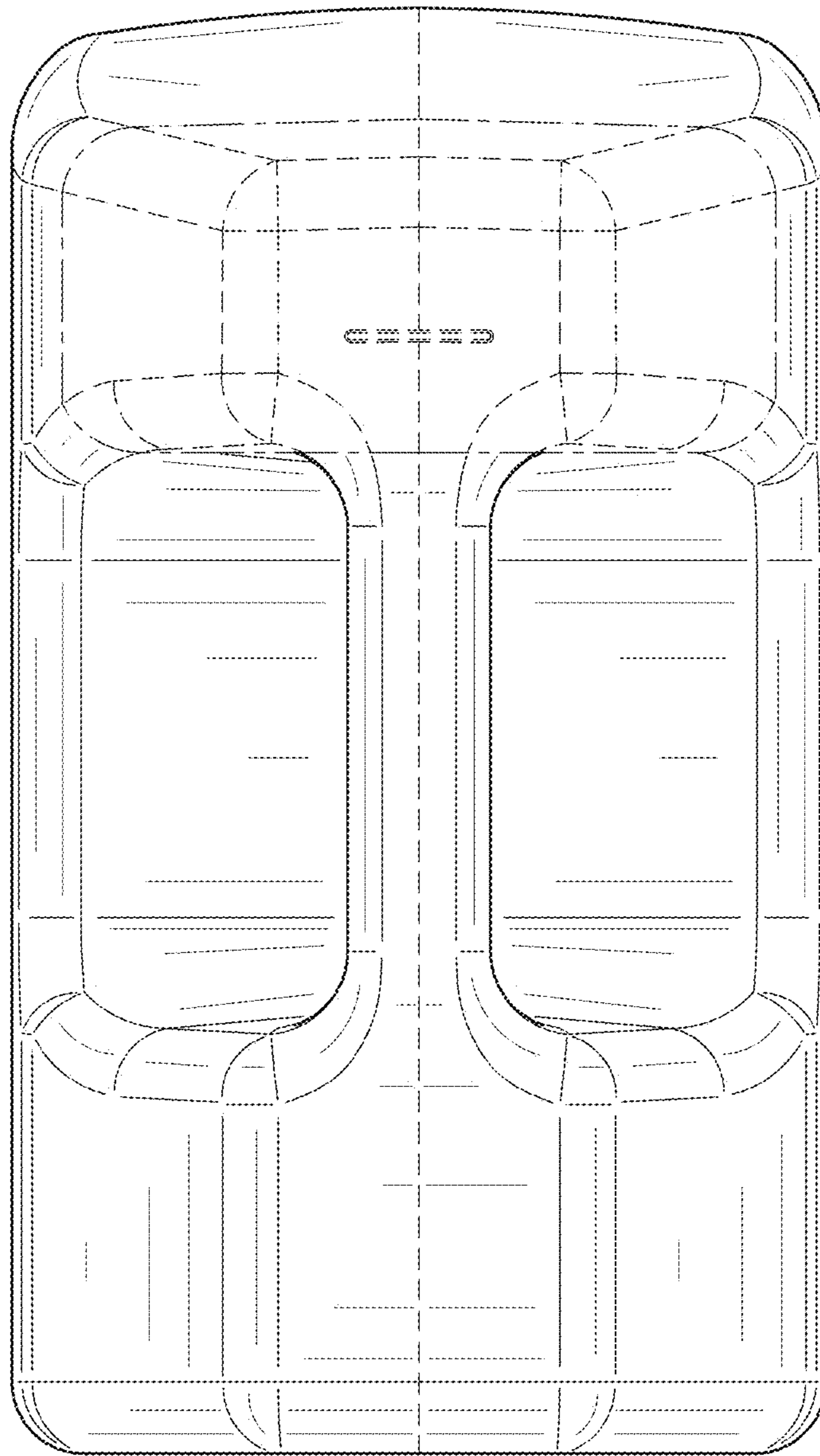


FIG. 7