



US00D923476S

(12) **United States Design Patent**
Davies

(10) **Patent No.:** **US D923,476 S**

(45) **Date of Patent:** **** Jun. 29, 2021**

- (54) **CONTAINER CAP**
- (71) Applicant: **LYVECAP LLC**, Sacramento, CA (US)
- (72) Inventor: **Yinka Davies**, Sacramento, CA (US)
- (73) Assignee: **LYVECAP LLC**, Sacramento, CA (US)
- (**) Term: **15 Years**
- (21) Appl. No.: **29/706,749**
- (22) Filed: **Sep. 23, 2019**
- (51) **LOC (13) Cl.** **09-07**
- (52) **U.S. Cl.**
USPC **D9/450; D9/440**
- (58) **Field of Classification Search**
USPC D9/414, 424, 425, 428, 432, 434, 435,
D9/436, 439, 440, 443-450, 452-457,
D9/499, 503, 682, 685, 686; D7/387,
D7/391, 392, 392.1, 396.2, 510, 511, 538,
D7/900; D3/202, 203.2; D28/91, 91.1
CPC .. A61J 1/00; A61J 1/1412; B65D 1/00; B65D
1/02; B65D 1/10; B65D 1/46; B65D
5/46; B65D 41/00; B65D 41/38; B65D
41/56; B65D 41/62; B65D 47/00; B65D
47/06; B65D 47/08; B65D 2251/00;
B65D 2543/00046; B65D 2543/00092;
B65D 2543/00296
See application file for complete search history.

(56) **References Cited**

U.S. PATENT DOCUMENTS

D120,464 S	*	5/1940	Martin	D9/447
D250,467 S	*	12/1978	O'Banion	D9/450
D258,311 S	*	2/1981	Peterson	D9/428
D292,673 S	*	11/1987	Woodruff	D9/439
D336,042 S	*	6/1993	Bondanza	D9/435
6,003,728 A	*	12/1999	Elliott	B65D 47/0804 206/219

D459,653 S	*	7/2002	Marks	D9/439
D604,608 S	*	11/2009	Lourenco	D9/440
D666,495 S	*	9/2012	Biesecker	D9/445
D690,596 S	*	10/2013	Logue	D9/447
D729,010 S	*	5/2015	Logel	D7/510
D734,150 S	*	7/2015	Rigel	D9/440
9,242,773 B1	*	1/2016	Anderson	B65D 51/2835
9,452,870 B1	*	9/2016	Anderson	B65D 47/0842
D855,461 S	*	8/2019	Wu	D9/440
D879,551 S	*	3/2020	Byrd	D9/440
2008/0202950 A1	*	8/2008	Anderson	B65D 51/2842 206/219

(Continued)

Primary Examiner — Wendy L Arminio

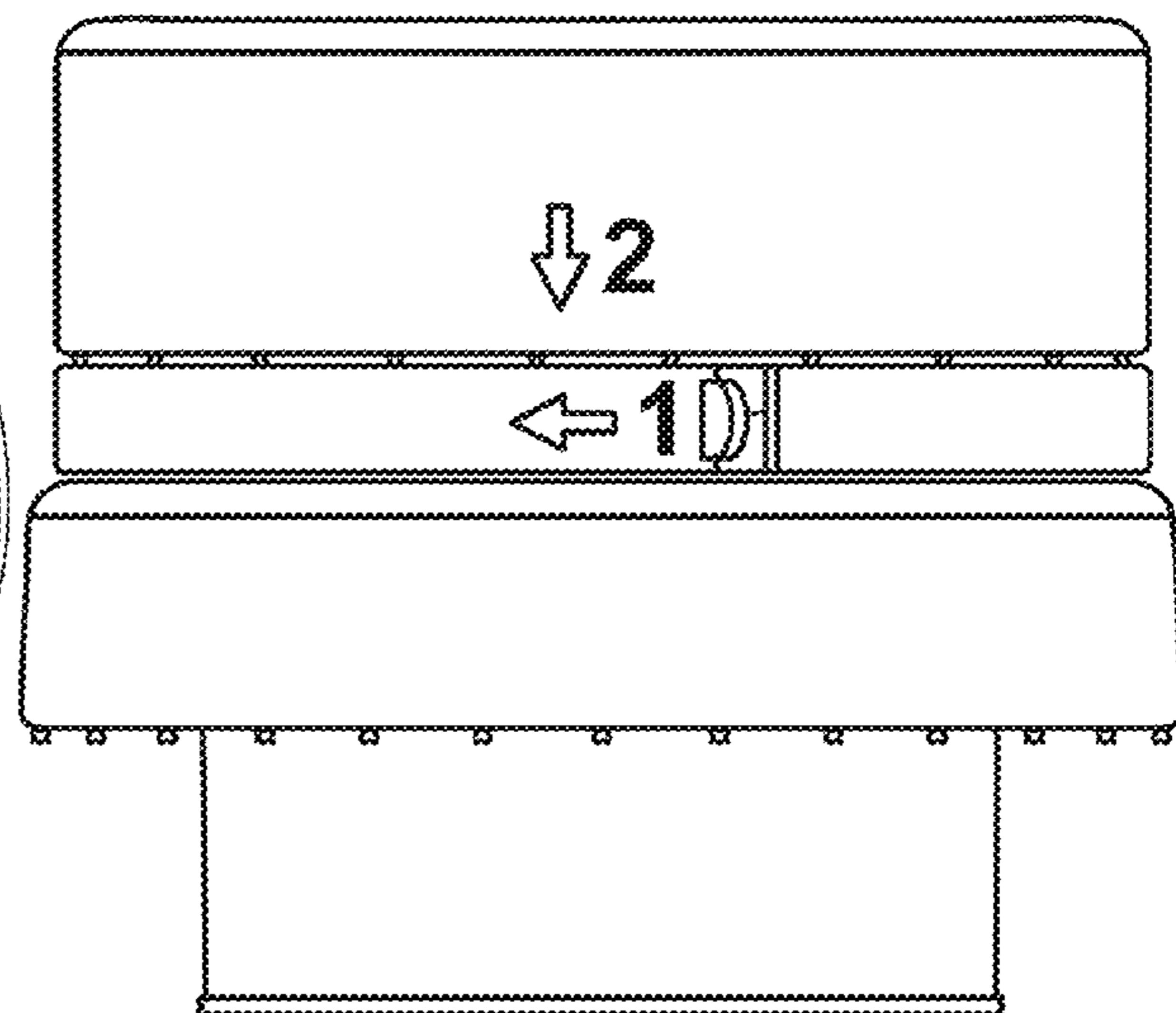
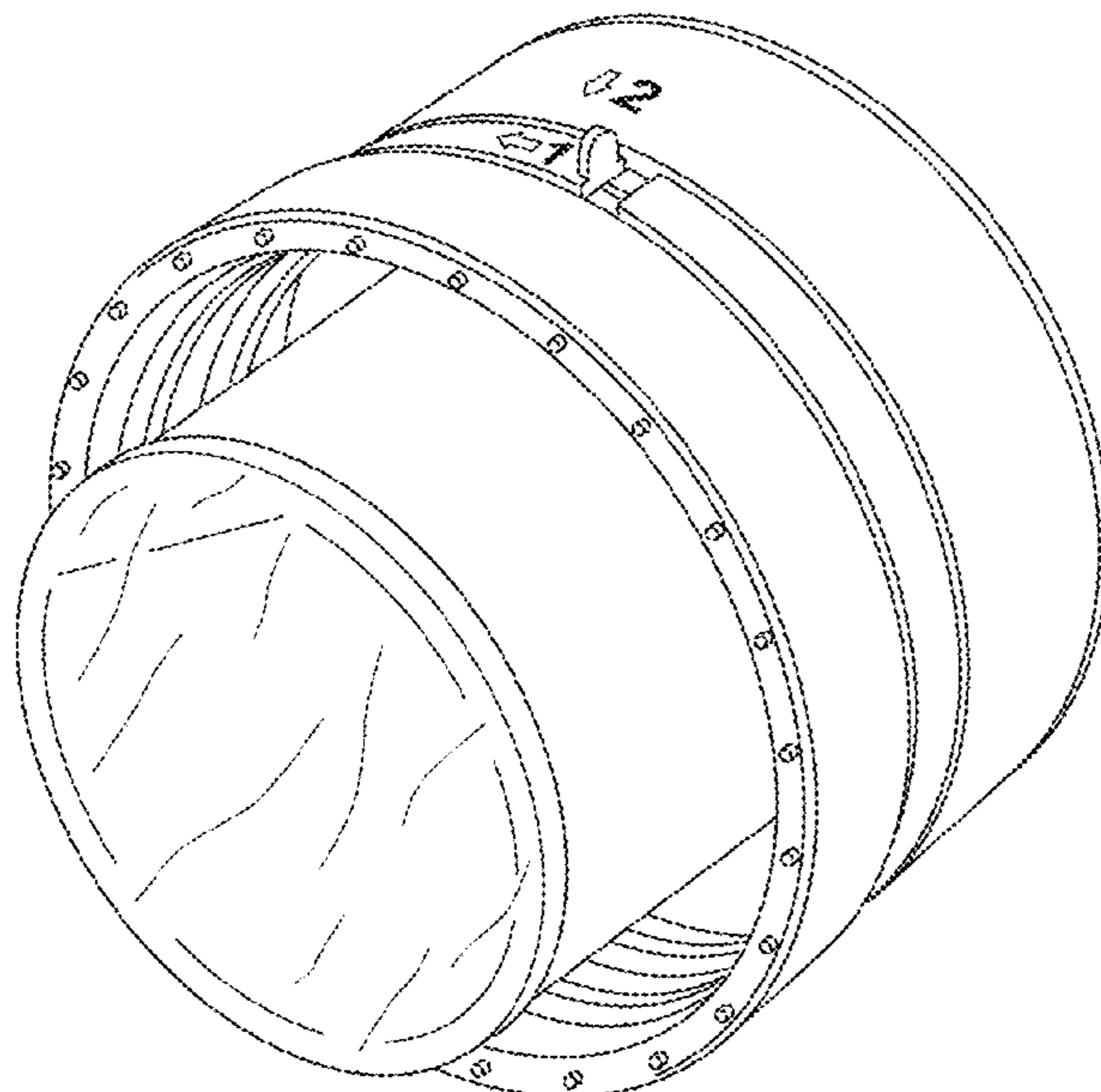
(57) **CLAIM**

The ornamental design for a container cap, as shown and described.

DESCRIPTION

FIG. 1 is a perspective view of a container cap showing my new design;
 FIG. 2 is a first side view of the design of FIG. 1;
 FIG. 3 is a second side view of the design of FIG. 1;
 FIG. 4 is a top view of the design of FIG. 1;
 FIG. 5 is a bottom view of the design of FIG. 1;
 FIG. 6 is a first partially exploded perspective view of the design of FIG. 1;
 FIG. 7 is a second partially exploded perspective view of the design of FIG. 1;
 FIG. 8 is a partially exploded first side view of the design of FIG. 1; and,
 FIG. 9 is a partially exploded second side view of the design of FIG. 1.
 The broken lines depict portions of the container cap that form no part of the claimed design.
 The wavy lines in FIGS. 1 and 5-7 represent surface shading.

1 Claim, 9 Drawing Sheets



(56)

References Cited

U.S. PATENT DOCUMENTS

2012/0325697 A1* 12/2012 Cho B65D 51/285
206/219
2015/0217924 A1* 8/2015 Cho B65D 25/08
206/219
2015/0344204 A1* 12/2015 Anderson B65D 51/2871
222/83

* cited by examiner

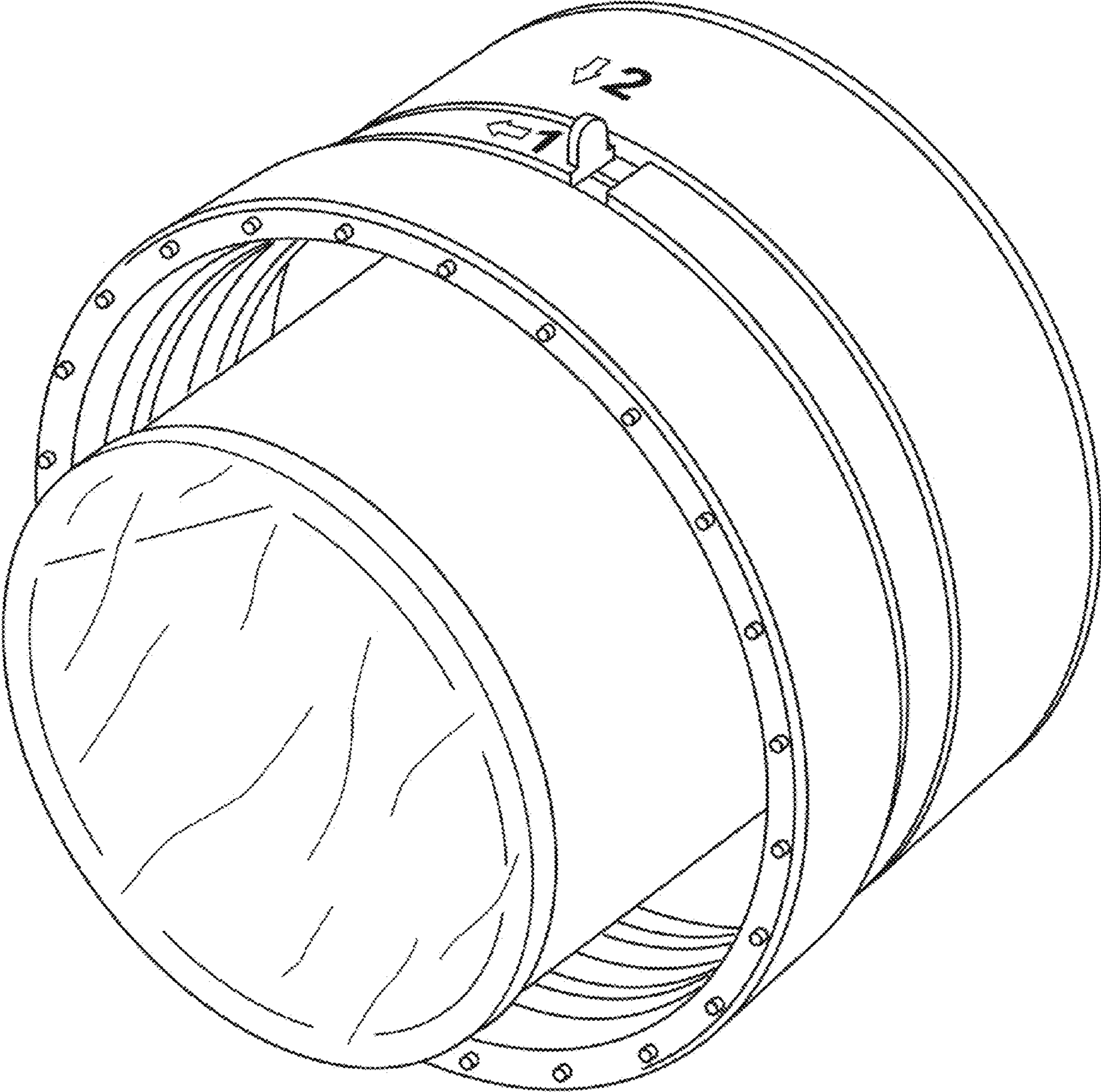


FIG. 1

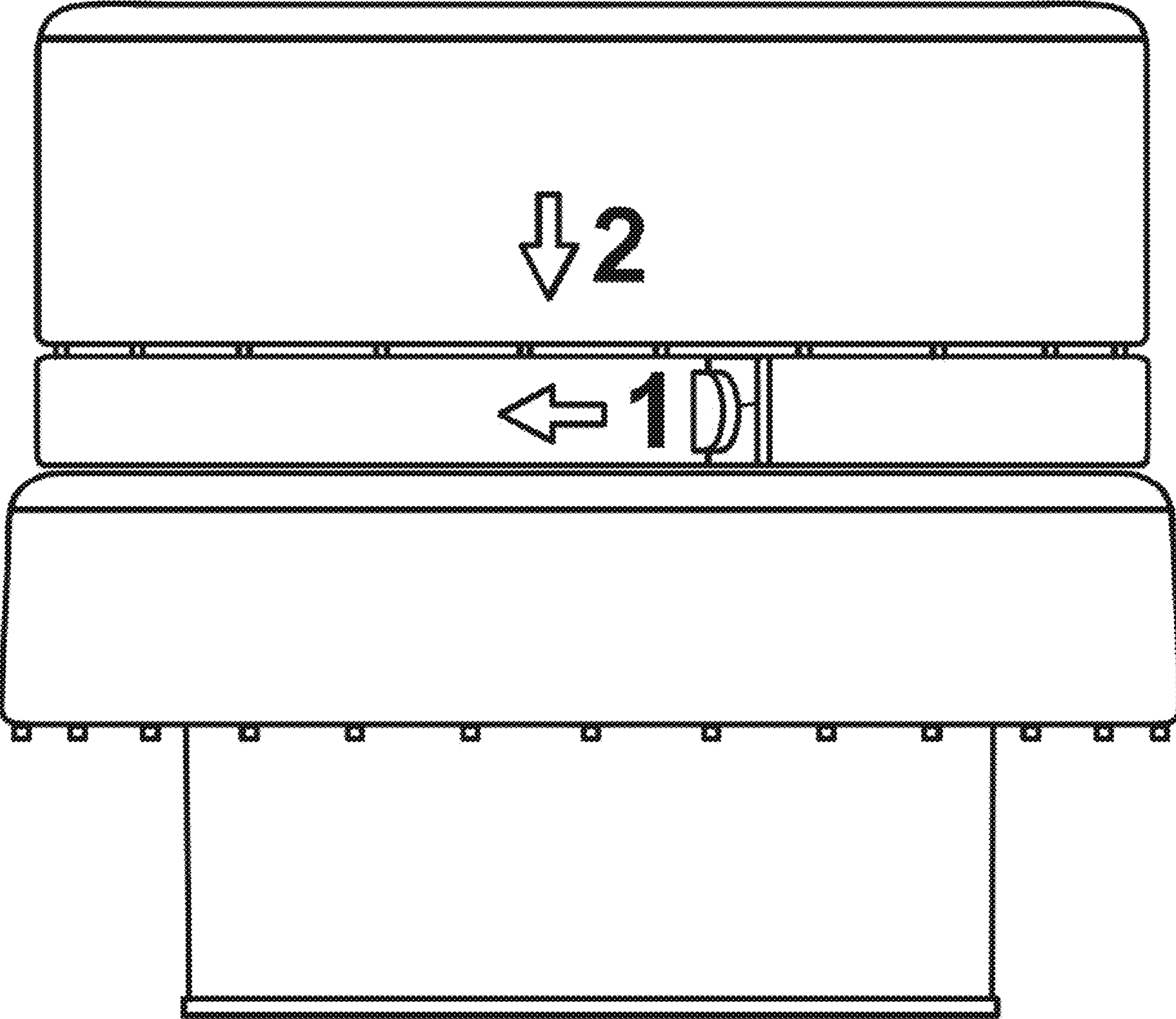


FIG. 2

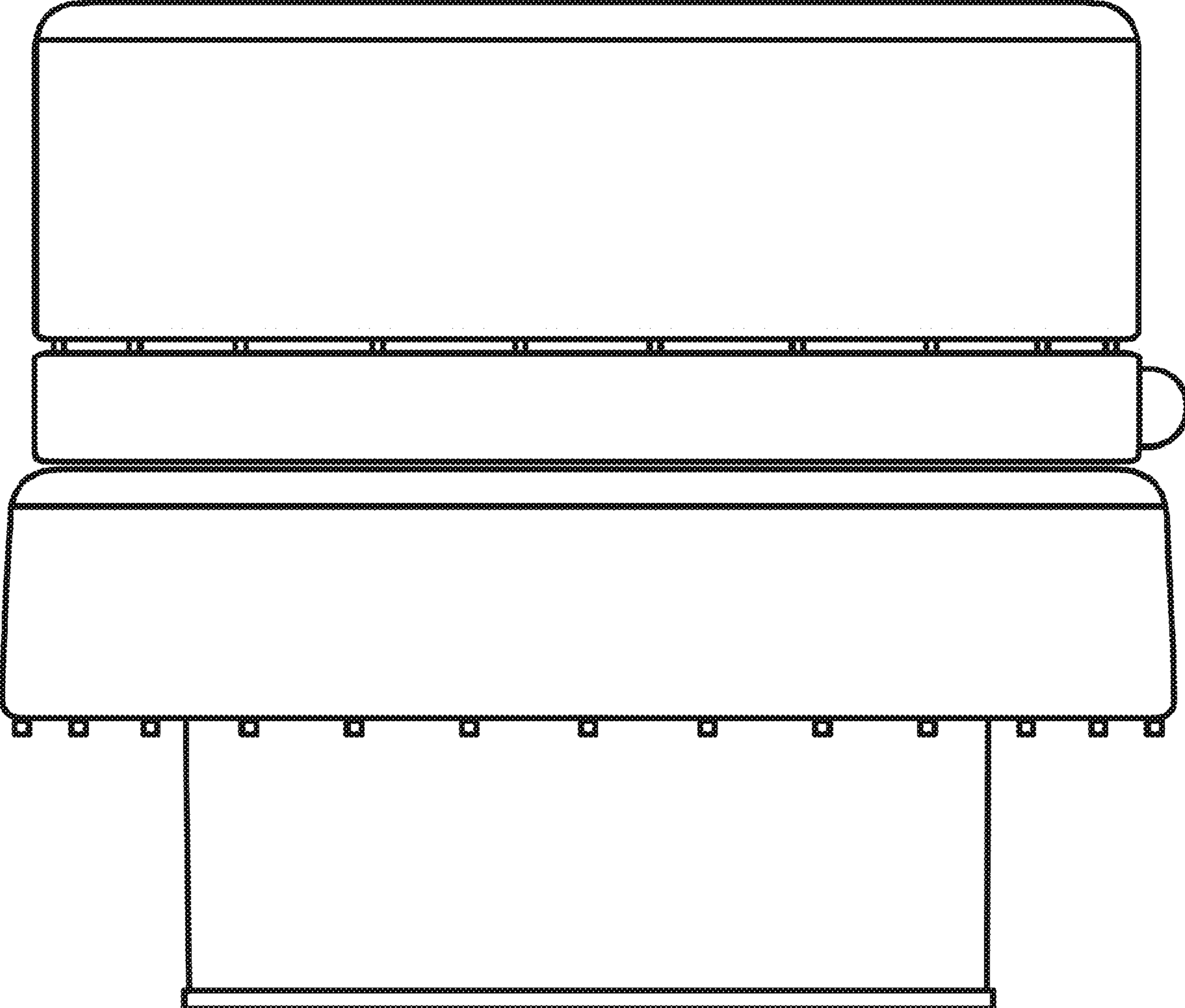


FIG. 3

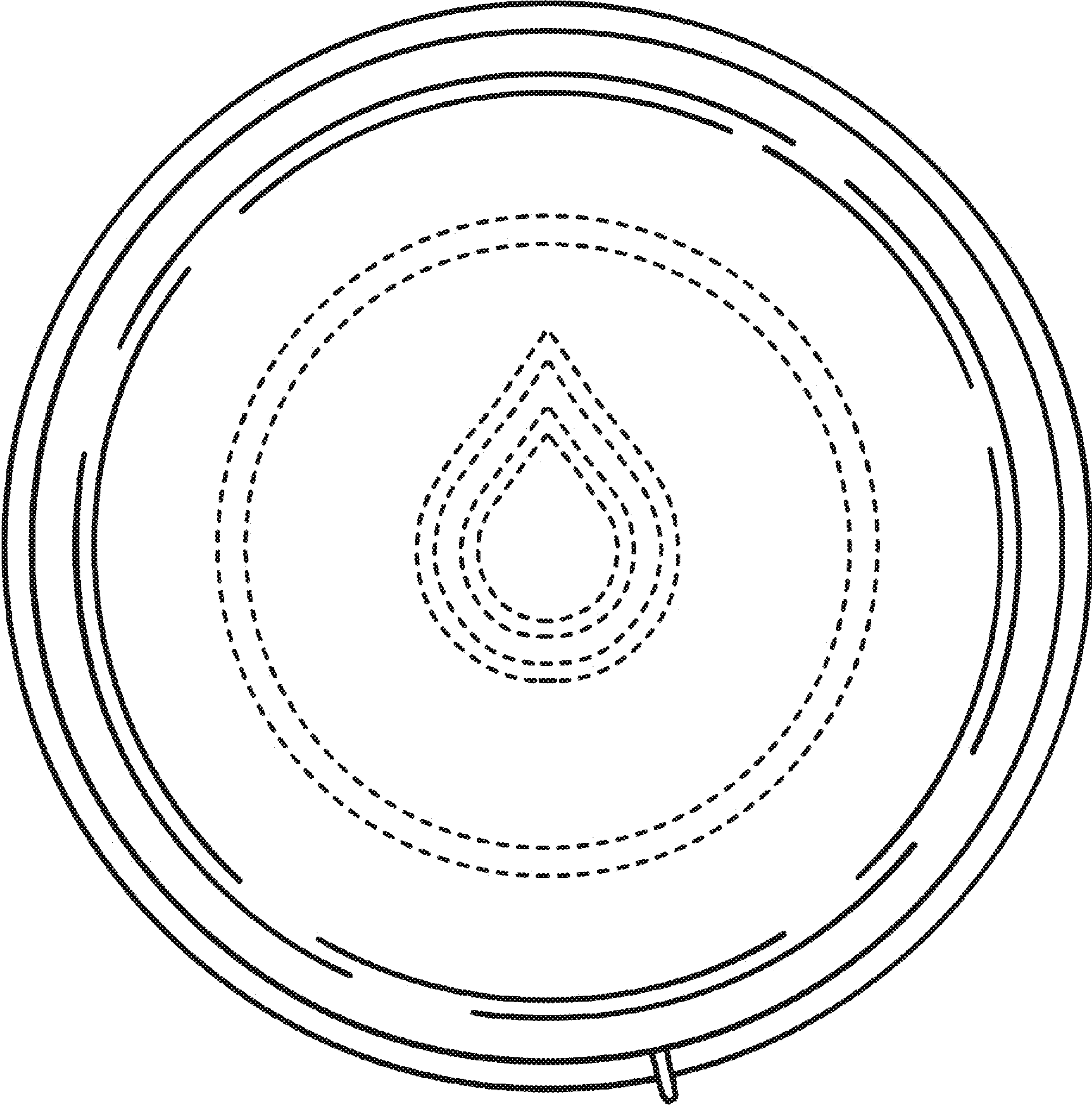


FIG. 4

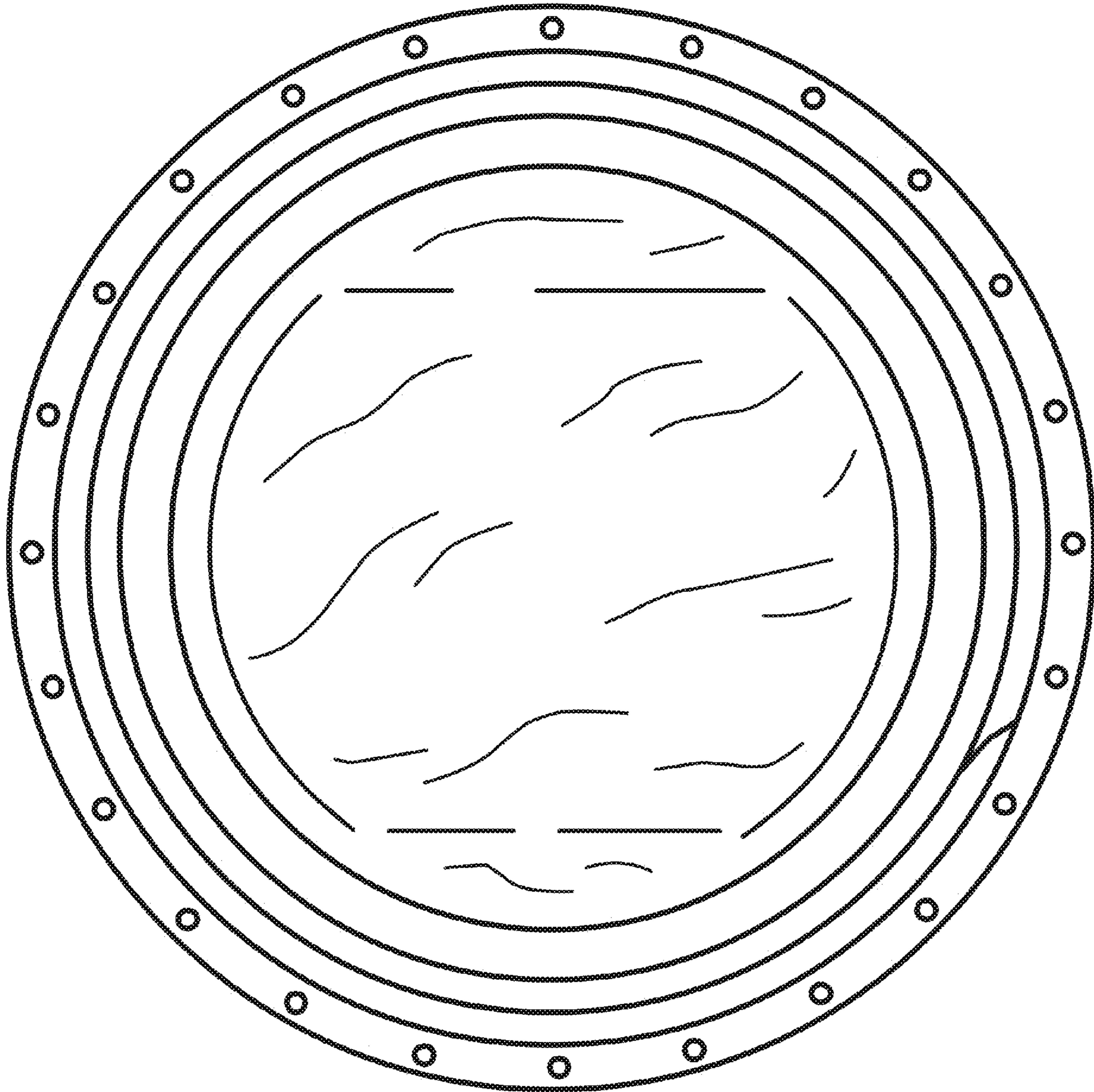


FIG. 5

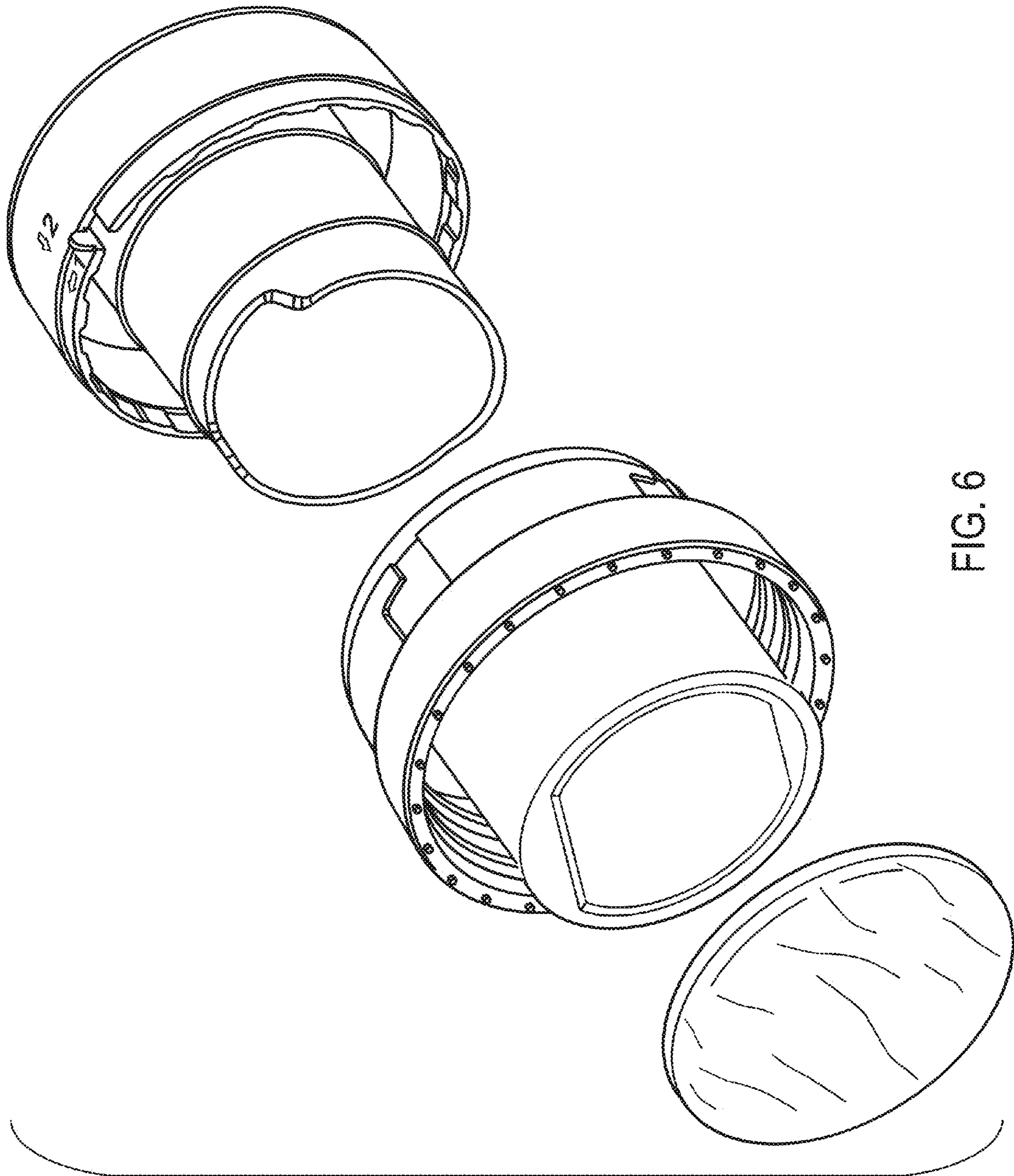


FIG. 6

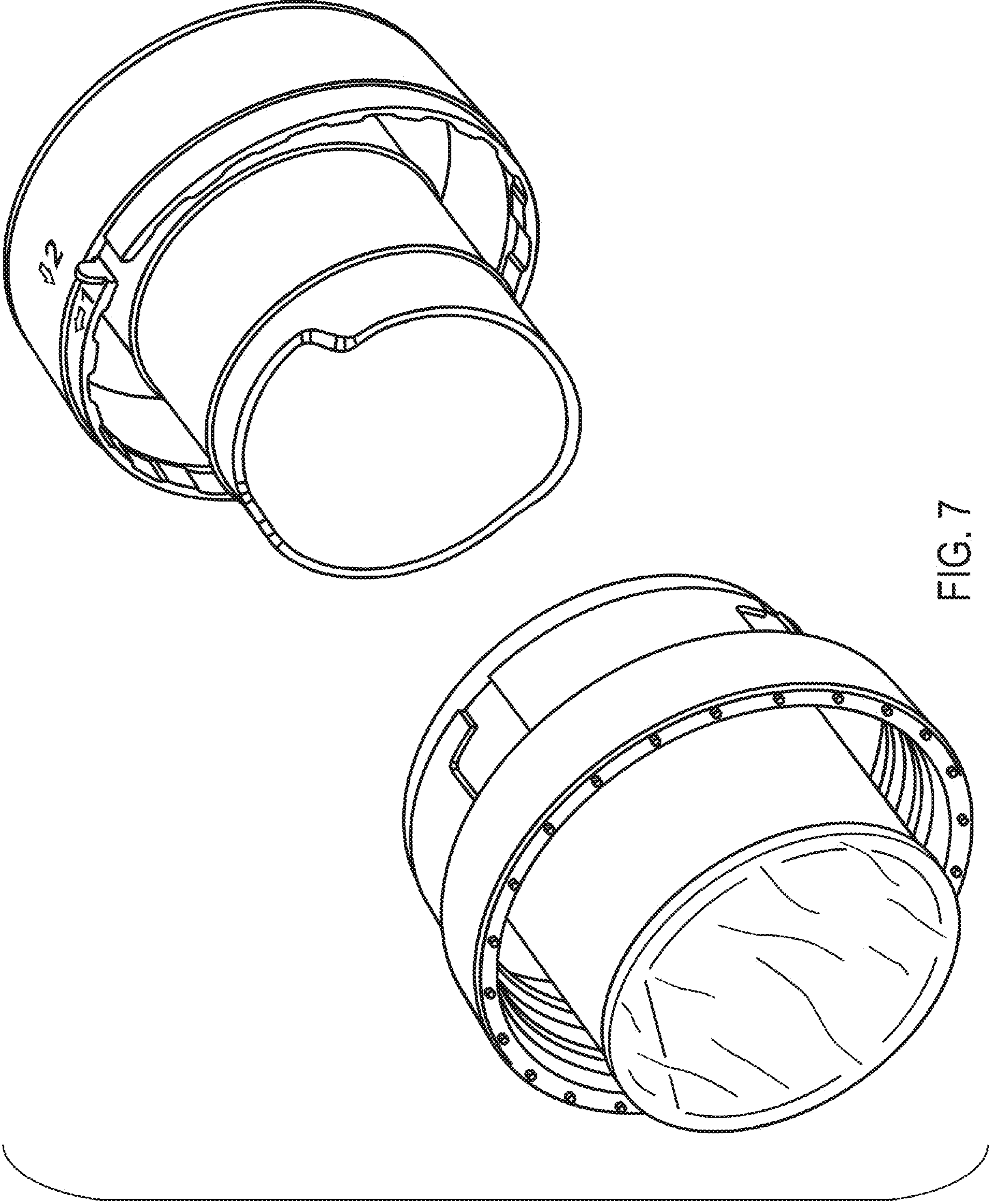


FIG. 7

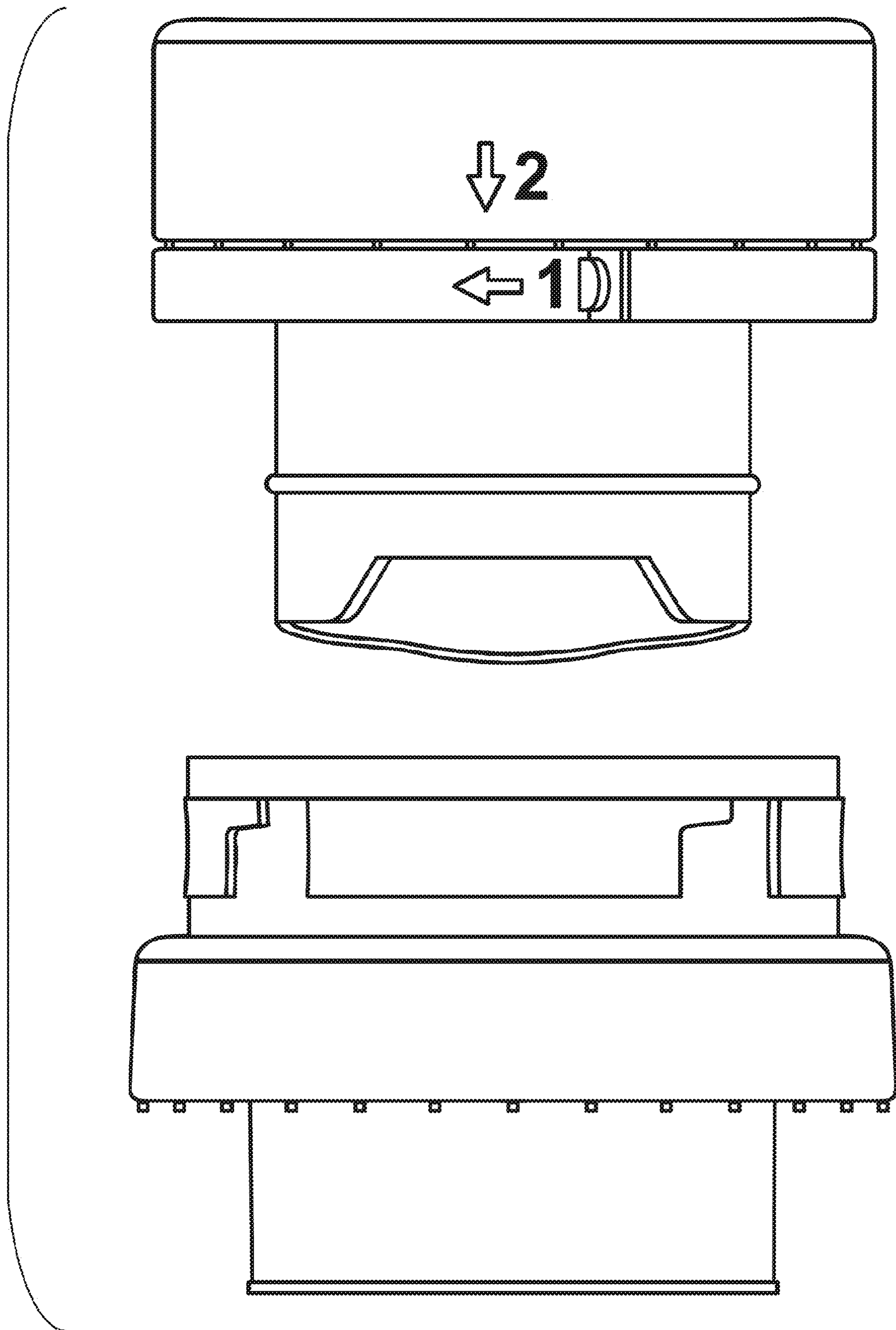


FIG. 8

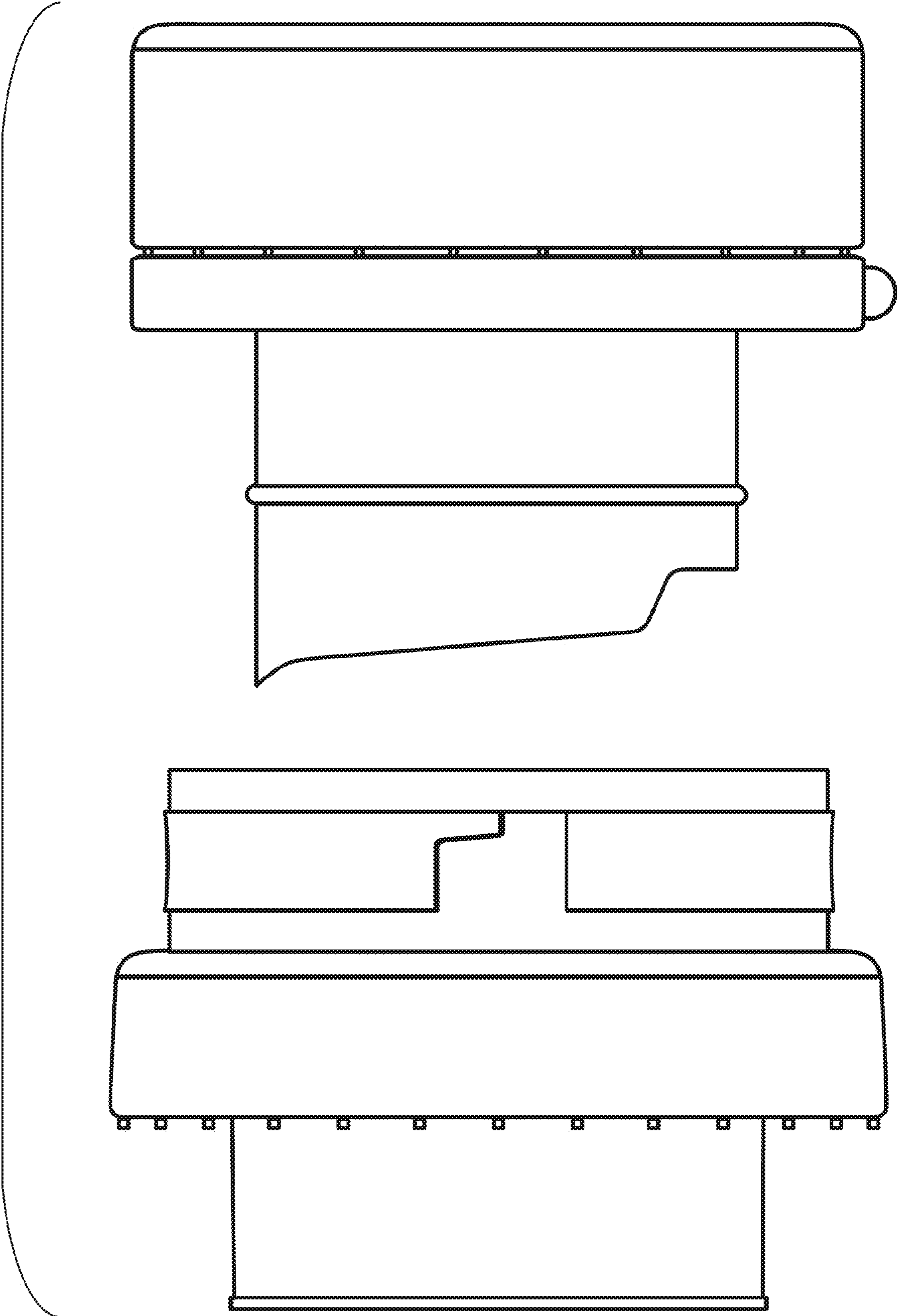


FIG. 9