



US00D923467S

(12) **United States Design Patent** (10) **Patent No.:** **US D923,467 S**
Buffalo (45) **Date of Patent:** **** Jun. 29, 2021**

(54) **WEDGE ANCHOR REMOVAL DEVICE**

2006/0065693 A1* 3/2006 Eklund B25C 7/00
227/147

(71) Applicant: **Alvin Buffalo**, Pueblo, CO (US)

2007/0110515 A1 5/2007 Appelman

2010/0003101 A1 1/2010 Ricketts

(72) Inventor: **Alvin Buffalo**, Pueblo, CO (US)

2010/0236040 A1 9/2010 Wallek

2013/0161038 A1 6/2013 Prunean

(**) Term: **15 Years**

2015/0273463 A1* 10/2015 Motadel B01L 3/0275
73/864.01

(21) Appl. No.: **29/688,071**

2017/0036329 A1* 2/2017 Santamarina B23B 31/1074

2020/0246152 A1* 8/2020 Marlow A61F 2/3859

2020/0249407 A1* 8/2020 Aznag G02B 6/4444

(22) Filed: **Apr. 18, 2019**

* cited by examiner

(51) **LOC (13) Cl.** **08-08**

(52) **U.S. Cl.**

USPC **D8/397**

(58) **Field of Classification Search**

USPC D8/397, 394, 382, 349, 399; 411/376.2

CPC F16B 37/068; F16B 33/002; F01N 13/009

See application file for complete search history.

Primary Examiner — Cynthia R Underwood

(74) *Attorney, Agent, or Firm* — Boudwin Intellectual Property; Daniel Boudwin

(56) **References Cited**

U.S. PATENT DOCUMENTS

5,168,781 A * 12/1992 Tenuta B25B 13/06
81/121.1

5,992,272 A * 11/1999 Fortner B25B 23/0057
81/121.1

7,165,482 B2* 1/2007 Shapoval B25B 15/007
411/406

D627,039 S * 11/2010 Yu D23/260

9,592,592 B2* 3/2017 Prunean B25B 23/00

D789,781 S * 6/2017 Johnson D8/397

D792,201 S * 7/2017 Baiz D8/387

9,844,866 B2 12/2017 Langdon, Jr.

10,300,588 B2* 5/2019 Pauba B25B 27/02

10,537,982 B2* 1/2020 Prunean B25B 21/007

D874,245 S * 2/2020 Whited D8/354

D890,604 S * 7/2020 Kirkpatrick D8/397

2005/0051596 A1* 3/2005 Estes B25B 31/00
227/139

(57) **CLAIM**

The ornamental design for a wedge anchor removal device, as shown and described.

DESCRIPTION

FIG. 1 shows a perspective view of a thereof;

FIG. 2 shows a front view thereof;

FIG. 3 shows a rear view thereof;

FIG. 4 shows a right side view thereof;

FIG. 5 shows a left side view thereof;

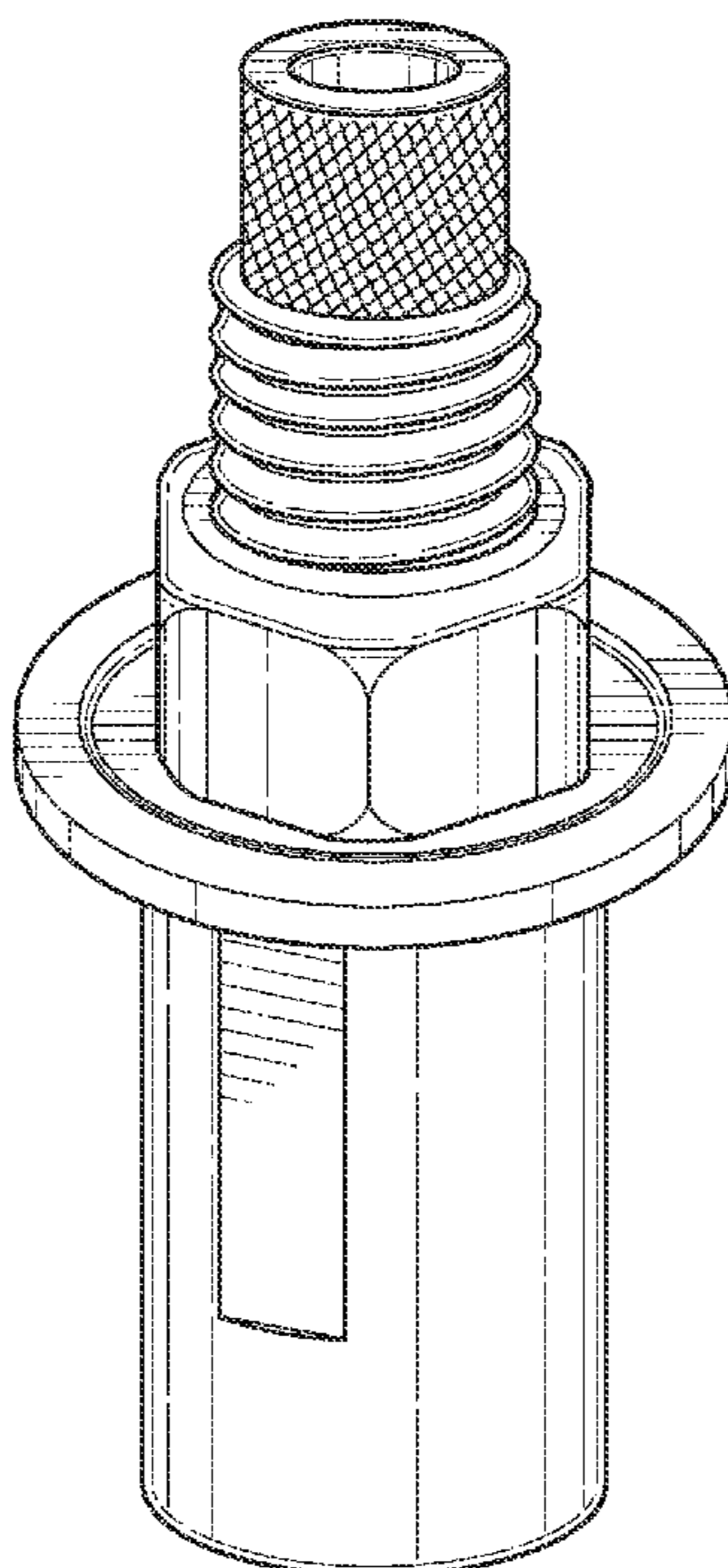
FIG. 6 shows a top plan view thereof; and,

FIG. 7 shows a bottom plan view thereof.

The shade lines in the Figures show contour and not surface ornamentation.

The broken lines shown in the Figures show portions of the wedge anchor removal device which form no part of the claimed design.

1 Claim, 4 Drawing Sheets



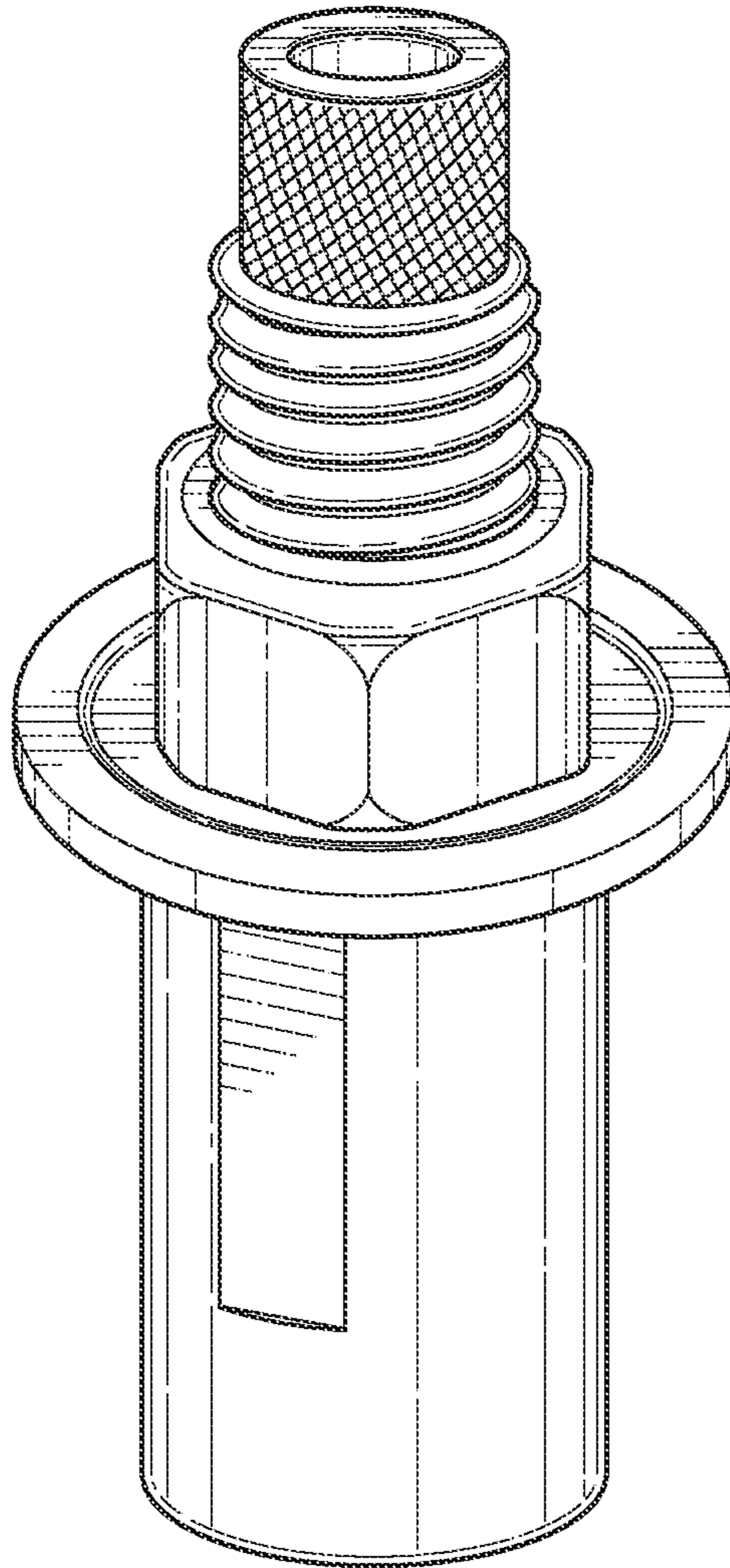


FIG. 1

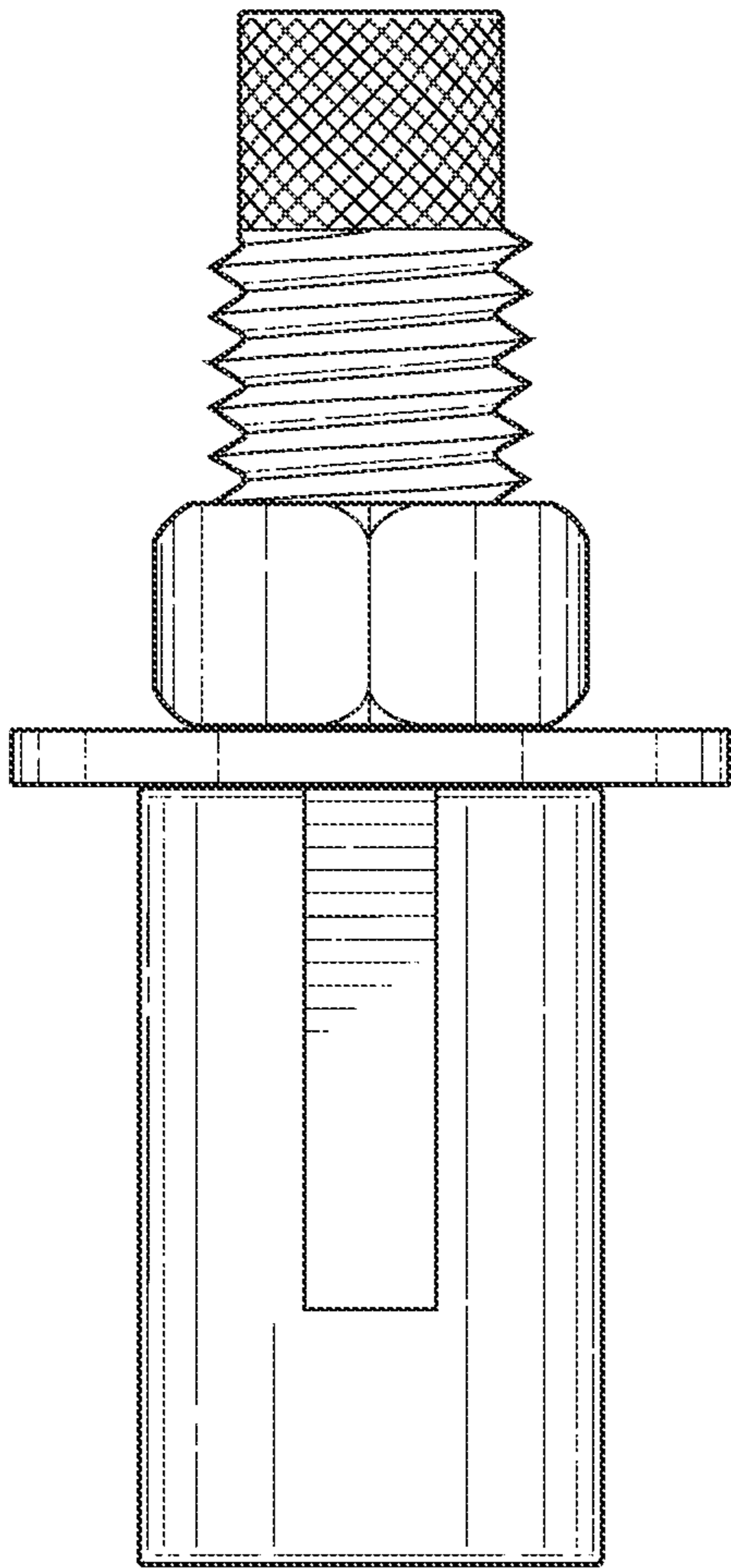


FIG. 2

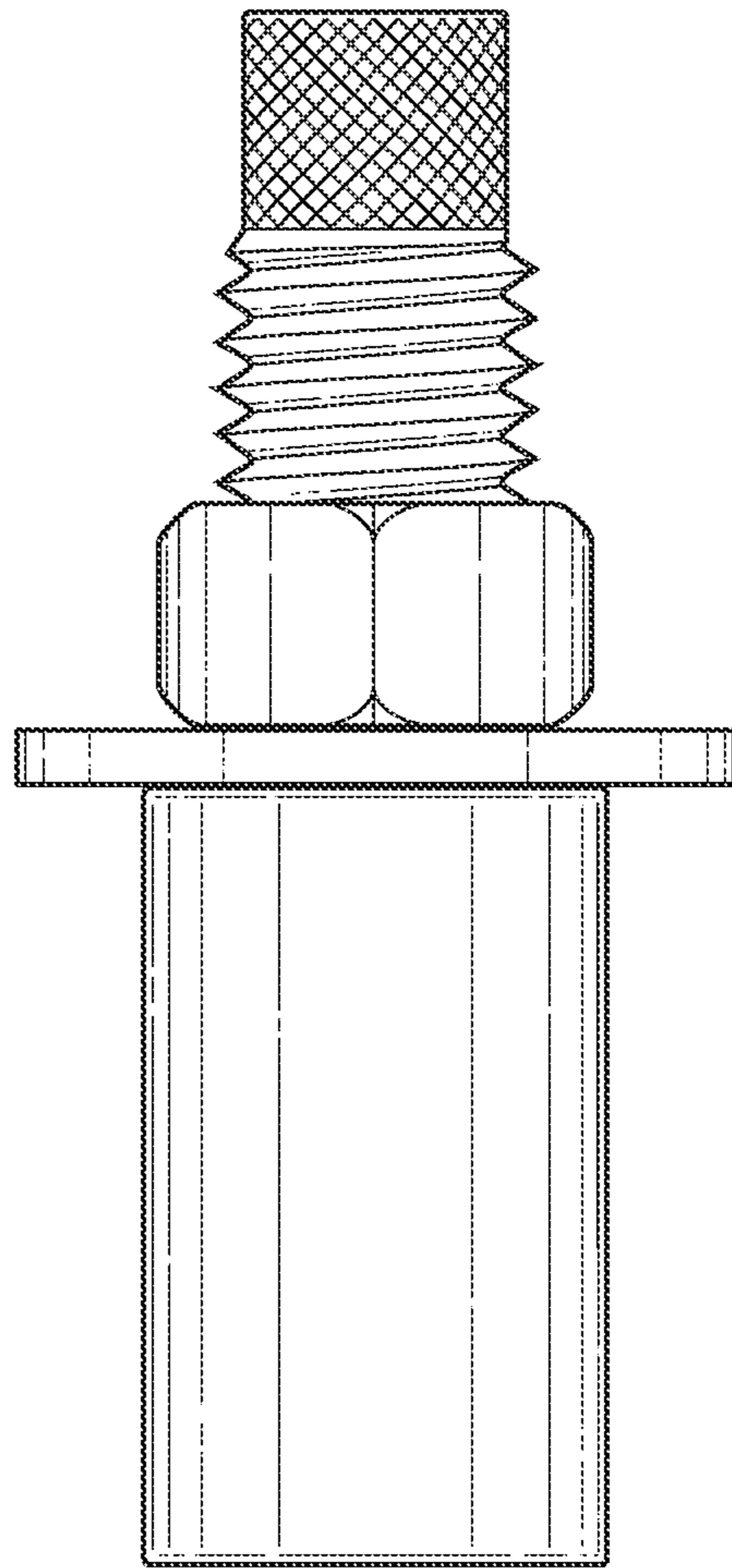


FIG. 3

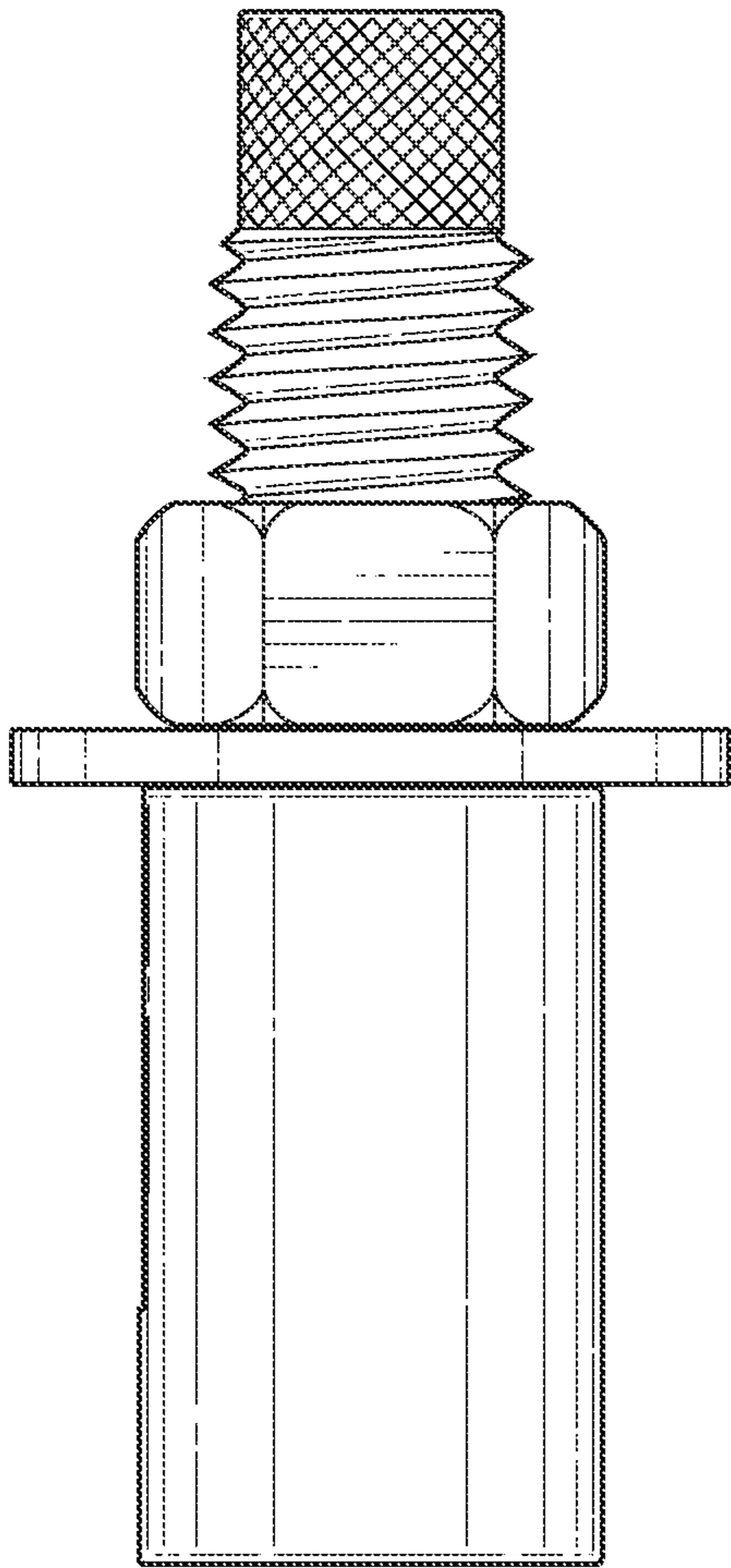


FIG. 4

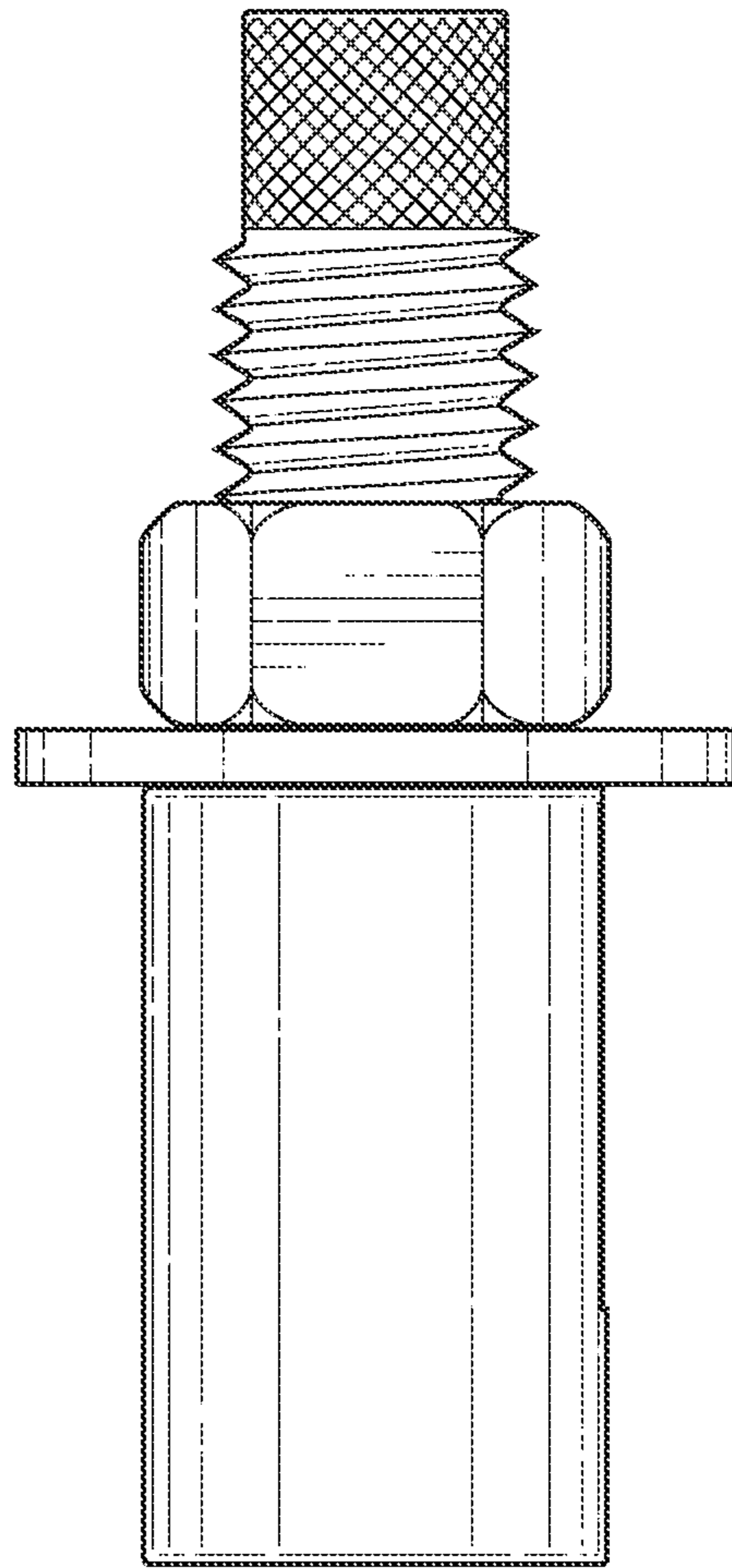


FIG. 5

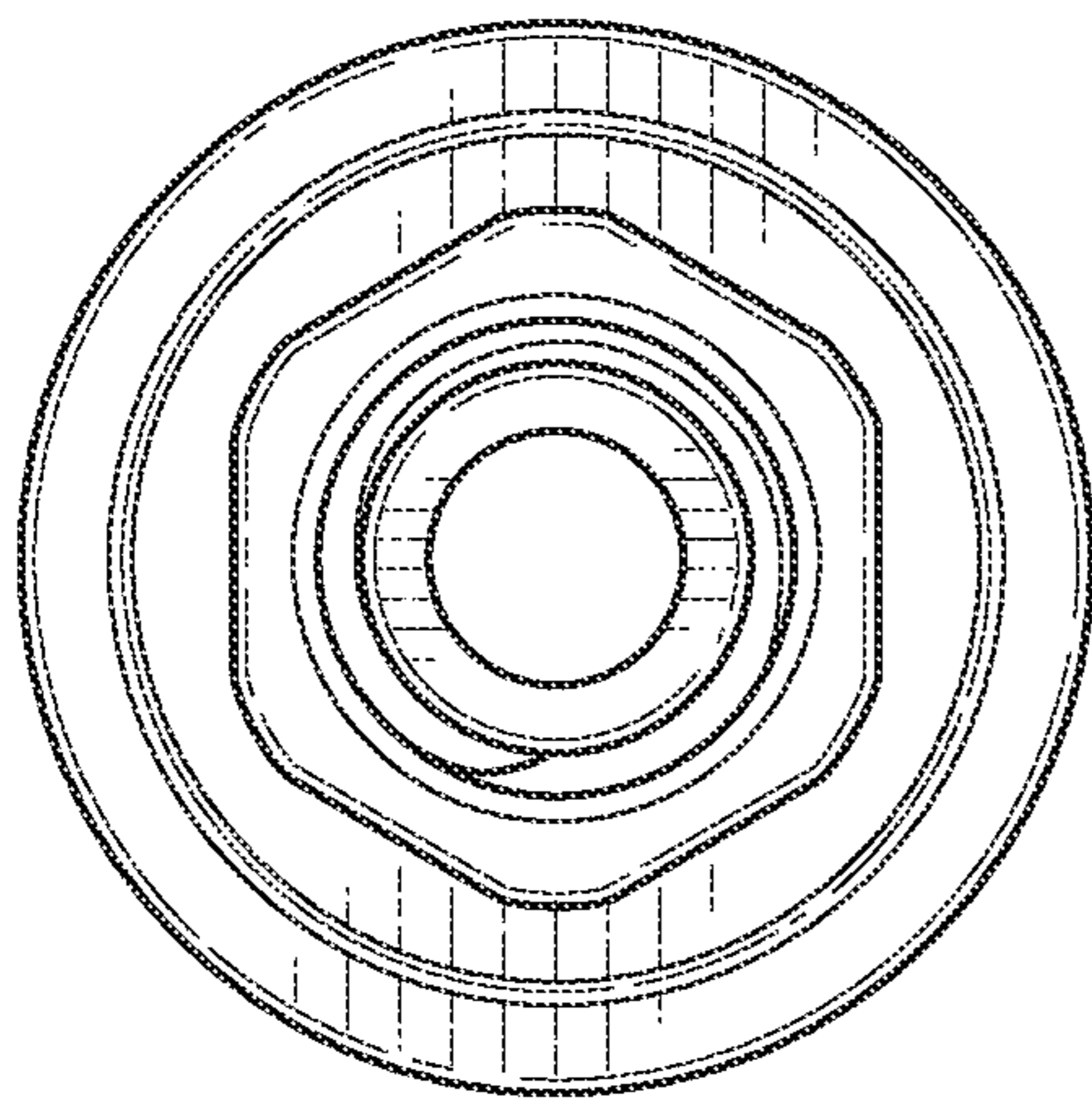


FIG. 6

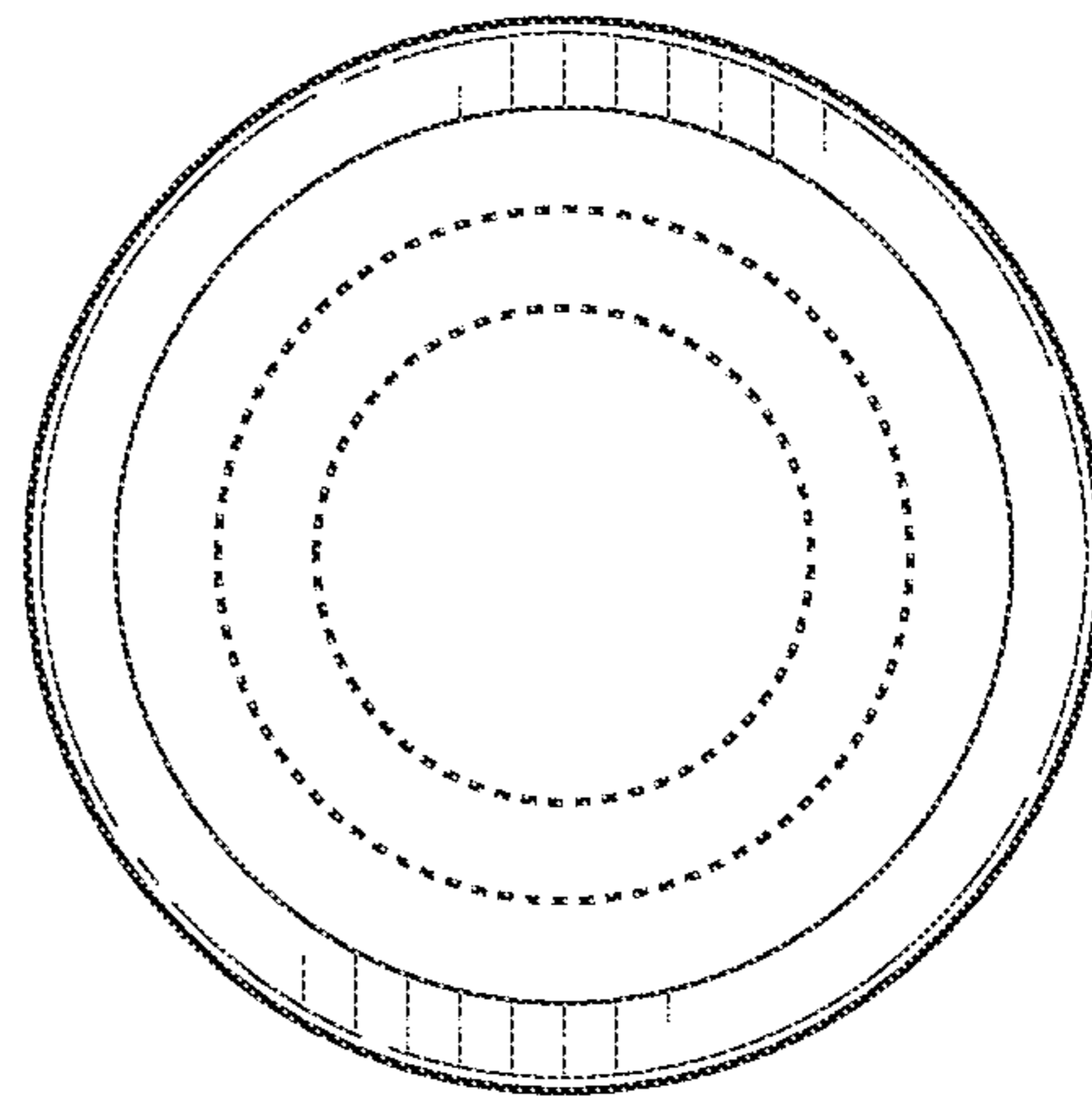


FIG. 7