



US00D923466S

(12) **United States Design Patent**
Yang et al.

(10) **Patent No.:** **US D923,466 S**
(45) **Date of Patent:** **** Jun. 29, 2021**

- (54) **CLAMP**
- (71) Applicant: **Wistron NeWeb Corp.**, Hsinchu (TW)
- (72) Inventors: **Lan-Chun Yang**, Hsinchu (TW);
Chun-Wei Wang, Hsinchu (TW);
Yi-Chieh Lin, Hsinchu (TW); **San-Yi Kuo**, Hsinchu (TW)
- (73) Assignee: **WISTRON NEWEB CORP.**, Hsinchu (TW)

3,964,773 A	6/1976	Stade et al.	
D240,681 S *	7/1976	Granatelli	D6/526
D241,314 S *	9/1976	Hug	D11/27
4,121,798 A *	10/1978	Schumacher	A47L 13/512 24/336
D267,231 S *	12/1982	Guem, Jr.	D21/775
D295,723 S *	5/1988	Shioda	D8/380
D295,725 S *	5/1988	Shioda	D8/380
4,901,960 A *	2/1990	Gary	F21V 19/0005 248/205.3
D309,280 S *	7/1990	Balfanz-Lee	D11/201
4,962,907 A *	10/1990	Gary	F21V 19/0005 248/205.3

- (**) Term: **15 Years**
- (21) Appl. No.: **29/747,882**
- (22) Filed: **Aug. 26, 2020**

Related U.S. Application Data

- (62) Division of application No. 29/654,992, filed on Jun. 29, 2018, now Pat. No. Des. 897,829.
- (51) **LOC (13) Cl.** **08-08**
- (52) **U.S. Cl.**
USPC **D8/396**
- (58) **Field of Classification Search**
USPC D8/394-396, 349-356, 373, 400, 21-26,
D8/29, 499
CPC . H01R 11/11; F16L 23/036; F16L 3/13; F16L
3/1033; E04B 2/74
See application file for complete search history.

(56) **References Cited**

U.S. PATENT DOCUMENTS

1,092,579 A	4/1914	Kohler et al.	
3,521,332 A *	7/1970	Kramer	F16B 2/22 248/229.26
3,596,859 A *	8/1971	MacDonald	F21S 4/10 248/214
3,788,677 A	1/1974	Stade et al.	

(Continued)

Primary Examiner — John Windmuller

(74) *Attorney, Agent, or Firm* — McClure, Qualey & Rodack, LLP

(57) **CLAIM**

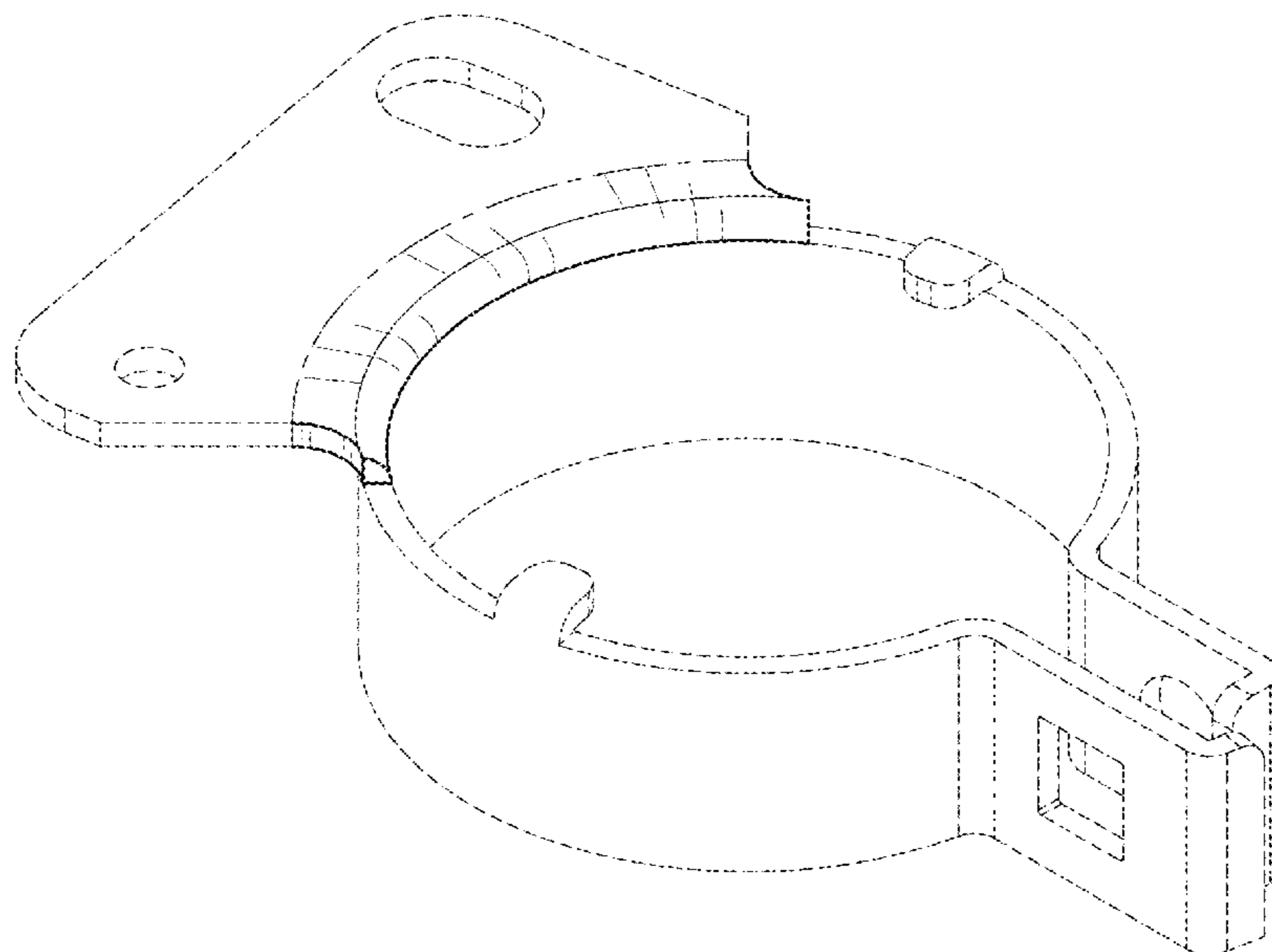
The ornamental design for a clamp, as shown and described.

DESCRIPTION

FIG. 1 is a perspective view of a clamp showing our new design;
 FIG. 2 is a front view thereof;
 FIG. 3 is a rear view thereof;
 FIG. 4 is a left view thereof;
 FIG. 5 is a right view thereof;
 FIG. 6 is a top plan view thereof;
 FIG. 7 is a bottom plan view thereof;
 FIG. 8 is a perspective view thereof disposed around a support arm of a satellite dish antenna; and,
 FIG. 9 is an enlarged perspective view of the area indicated on FIG. 8.

The broken lines in the drawings form no part of the claimed design. Broken lines formed by equal length dashes show unclaimed subject matter. Dash-dot-dash broken lines shown in the figures are for the purposes of illustrating boundaries which form no part of the claimed design.

1 Claim, 7 Drawing Sheets



(56)

References Cited

U.S. PATENT DOCUMENTS

5,110,078 A * 5/1992 Gary F21V 19/0005
248/206.2
5,332,090 A * 7/1994 Tucker A63B 55/408
206/315.3
D350,947 S * 9/1994 Klinger D14/454
D363,211 S * 10/1995 Noble D8/371
5,462,212 A * 10/1995 Hertel, Jr. B60N 3/14
206/86
D371,735 S * 7/1996 Motta D6/535
D375,453 S * 11/1996 Fleck D8/395
D375,890 S * 11/1996 Takai D8/380
D376,973 S * 12/1996 Brown D8/395
5,609,415 A * 3/1997 Protz, Jr. F21V 21/08
248/229.16
5,806,669 A * 9/1998 Kim B65D 83/285
206/228
D406,051 S * 2/1999 Ross D8/395
D417,612 S * 12/1999 Jones D26/138
D432,404 S * 10/2000 Garfinkle D8/395
D435,684 S * 12/2000 Gary D26/138
D451,730 S * 12/2001 Henderson D6/534
D470,937 S * 2/2003 Gary D24/138
D483,654 S * 12/2003 Taylor D8/356
D537,331 S * 2/2007 Hill D8/395
D552,463 S * 10/2007 French D8/395
D560,482 S * 1/2008 Casteel D8/395
D560,483 S * 1/2008 Mercier D6/550
D569,150 S * 5/2008 Vasilev D6/534
D571,648 S * 6/2008 Rieder D8/395
D625,996 S * 10/2010 Witty D8/396
D648,211 S * 11/2011 Weaver D8/396
D652,517 S * 1/2012 Weaver D24/134

D672,004 S * 12/2012 Stracener D22/108
8,424,123 B2 4/2013 Svensson
D682,464 S * 5/2013 Gary D26/142
D690,997 S * 10/2013 Zemel D7/590
D692,294 S 10/2013 Koeniger et al.
D692,689 S * 11/2013 Yiannaki D6/606
D695,550 S * 12/2013 Yiannaki D6/606
D721,950 S 2/2015 Quinlan et al.
9,010,708 B2 * 4/2015 Vasilev A47K 1/09
206/15.3
D729,542 S * 5/2015 Dontfraid D6/534
D730,163 S * 5/2015 Wu D8/376
D761,097 S * 7/2016 Votel D8/394
D773,287 S * 12/2016 Lida D8/363
D773,885 S * 12/2016 Loshuk D7/387
D790,673 S 6/2017 Santos
D793,646 S * 8/2017 Bacallao D34/27
D806,527 S * 1/2018 Baker, Jr. D8/396
D811,861 S * 3/2018 Ravassa D8/367
D812,456 S * 3/2018 Nolta D8/373
D815,517 S * 4/2018 Van Fleet D8/396
D821,248 S * 6/2018 Naqvi D11/3
D824,247 S 7/2018 Minai
D828,523 S 9/2018 Karnegie
D829,307 S 9/2018 Gerger
D833,265 S 11/2018 Meola et al.
D837,950 S 1/2019 Santos
D855,160 S 7/2019 Najimi
10,393,290 B2 8/2019 Anderson
D861,473 S 10/2019 Yesavage et al.
D868,947 S 12/2019 Cherng
D884,839 S 5/2020 Ball et al.
2012/0069587 A1 * 3/2012 Holland F21V 21/088
362/396
2014/0259346 A1 9/2014 Ball

* cited by examiner

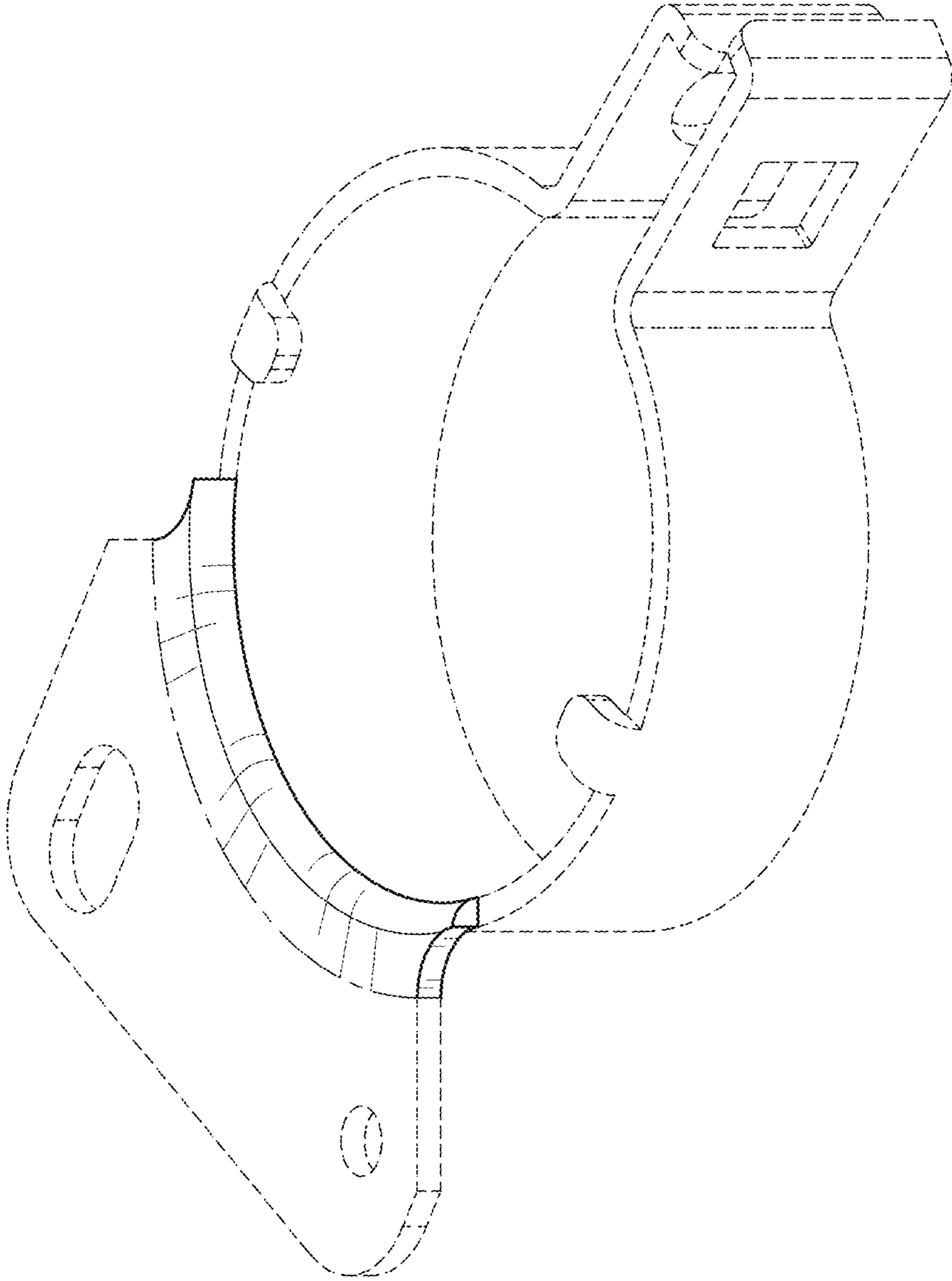


FIG. 1

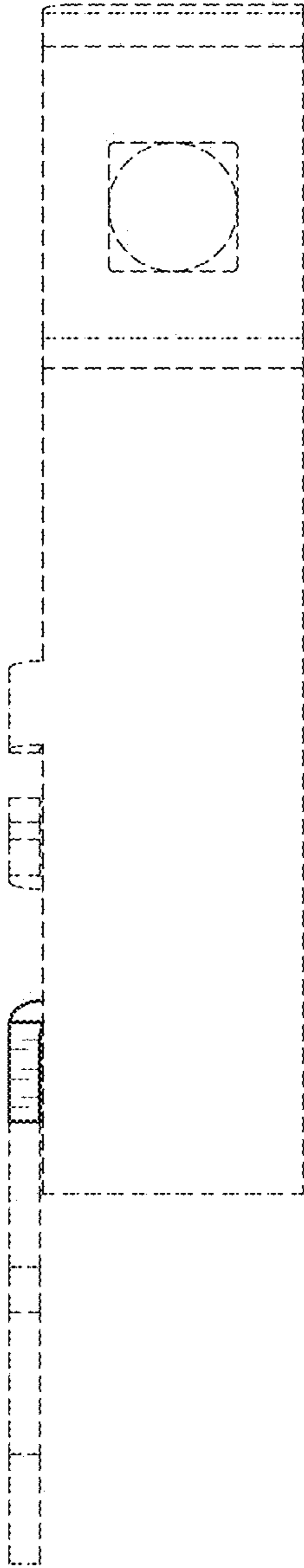


FIG. 2

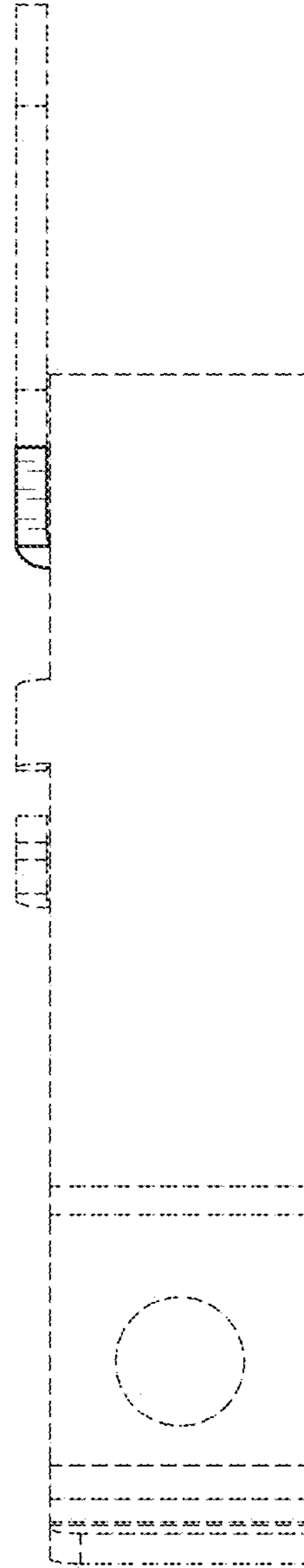


FIG. 3

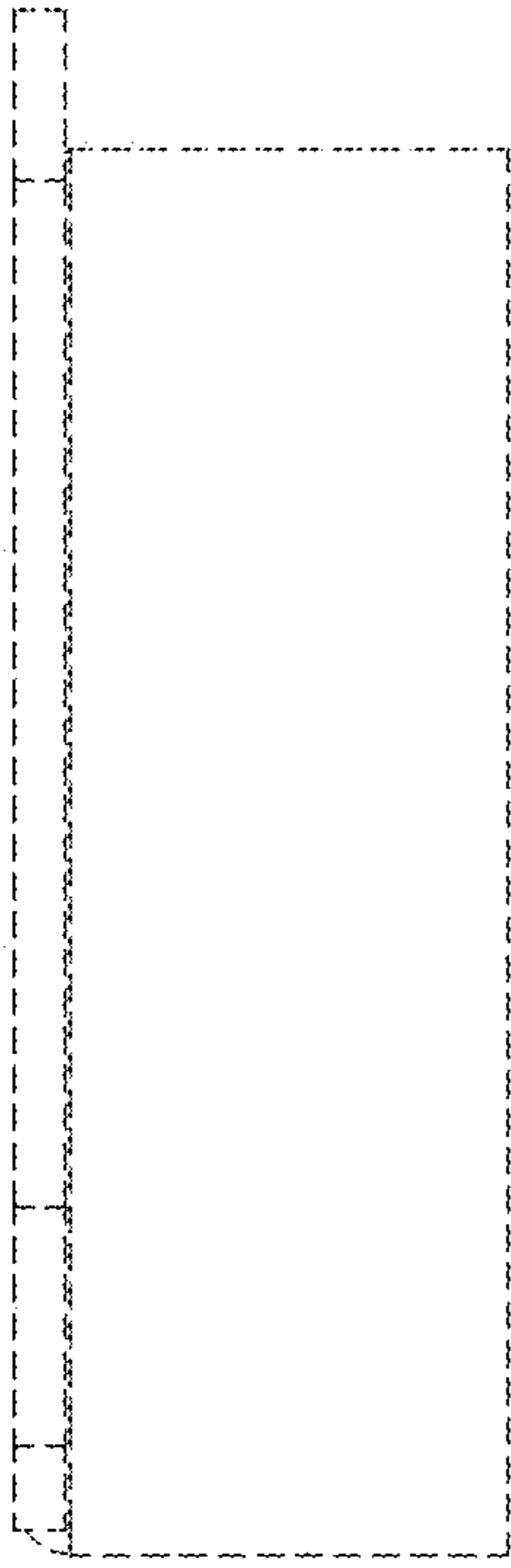


FIG. 4

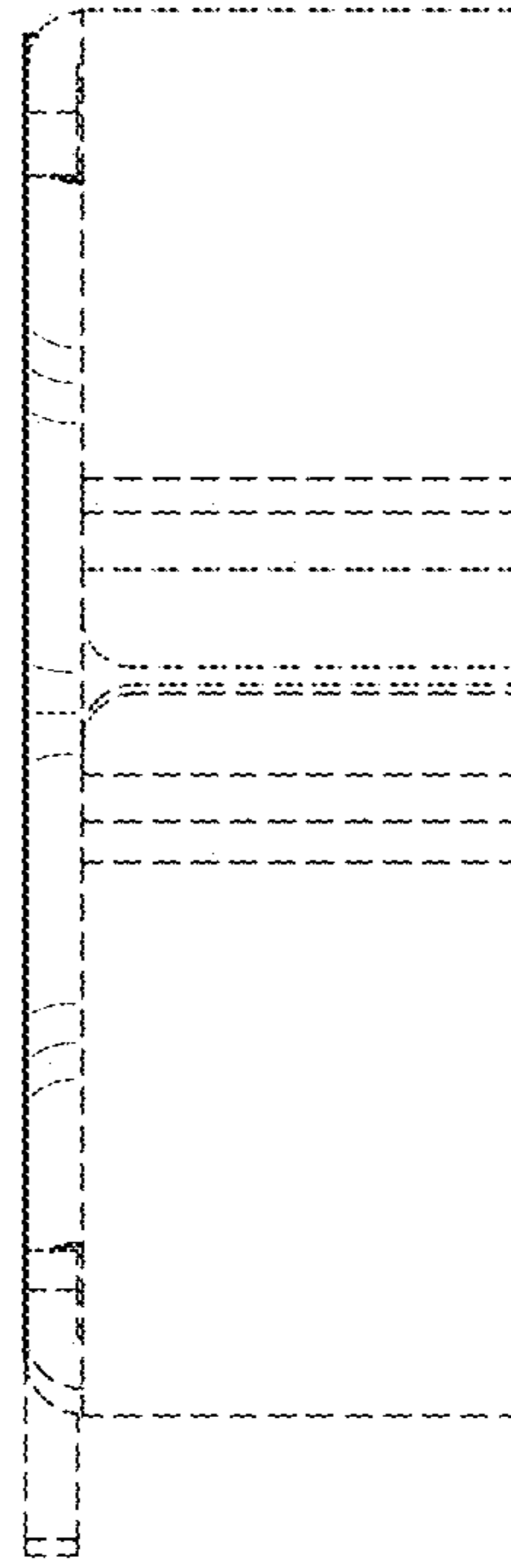


FIG. 5

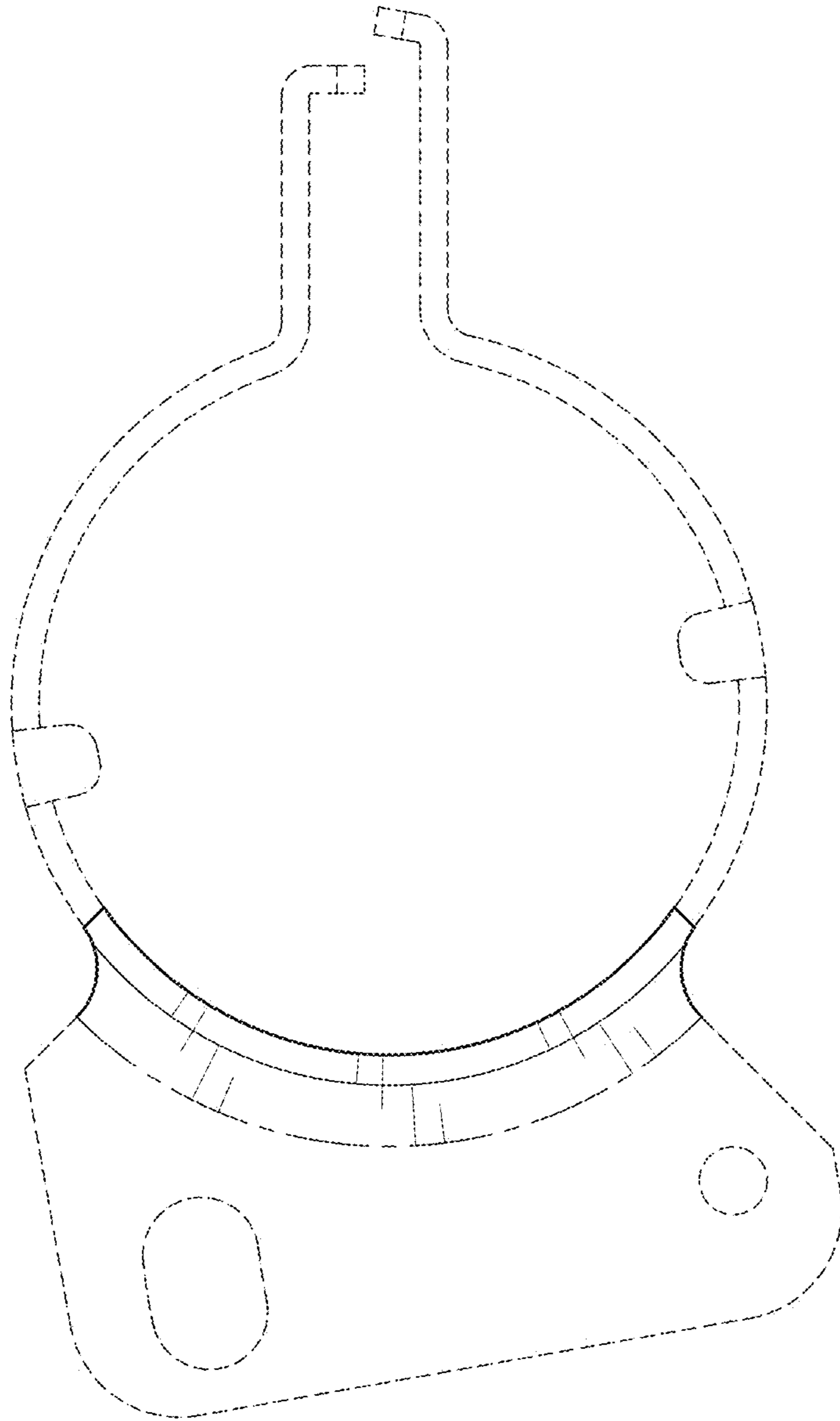


FIG. 6

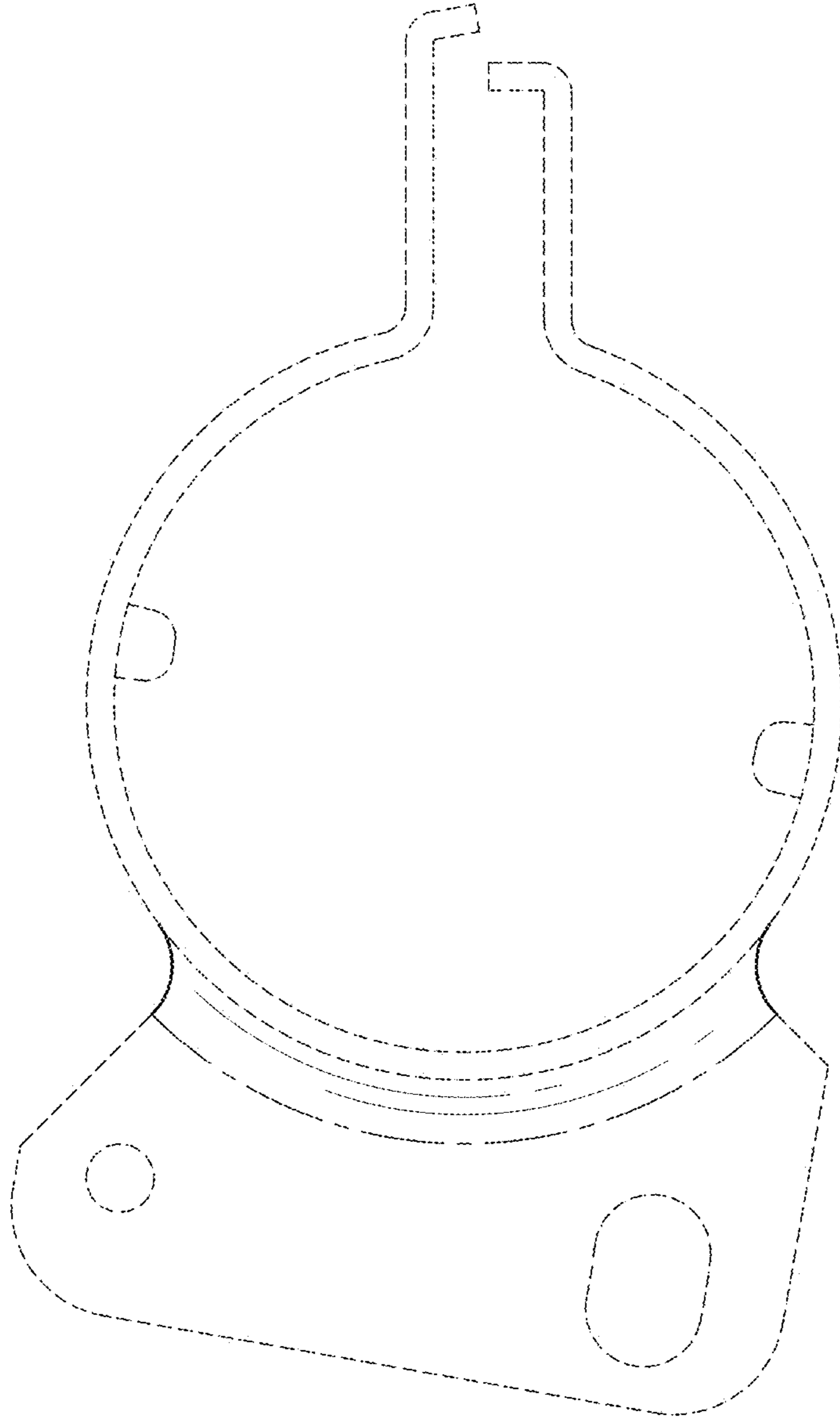


FIG. 7

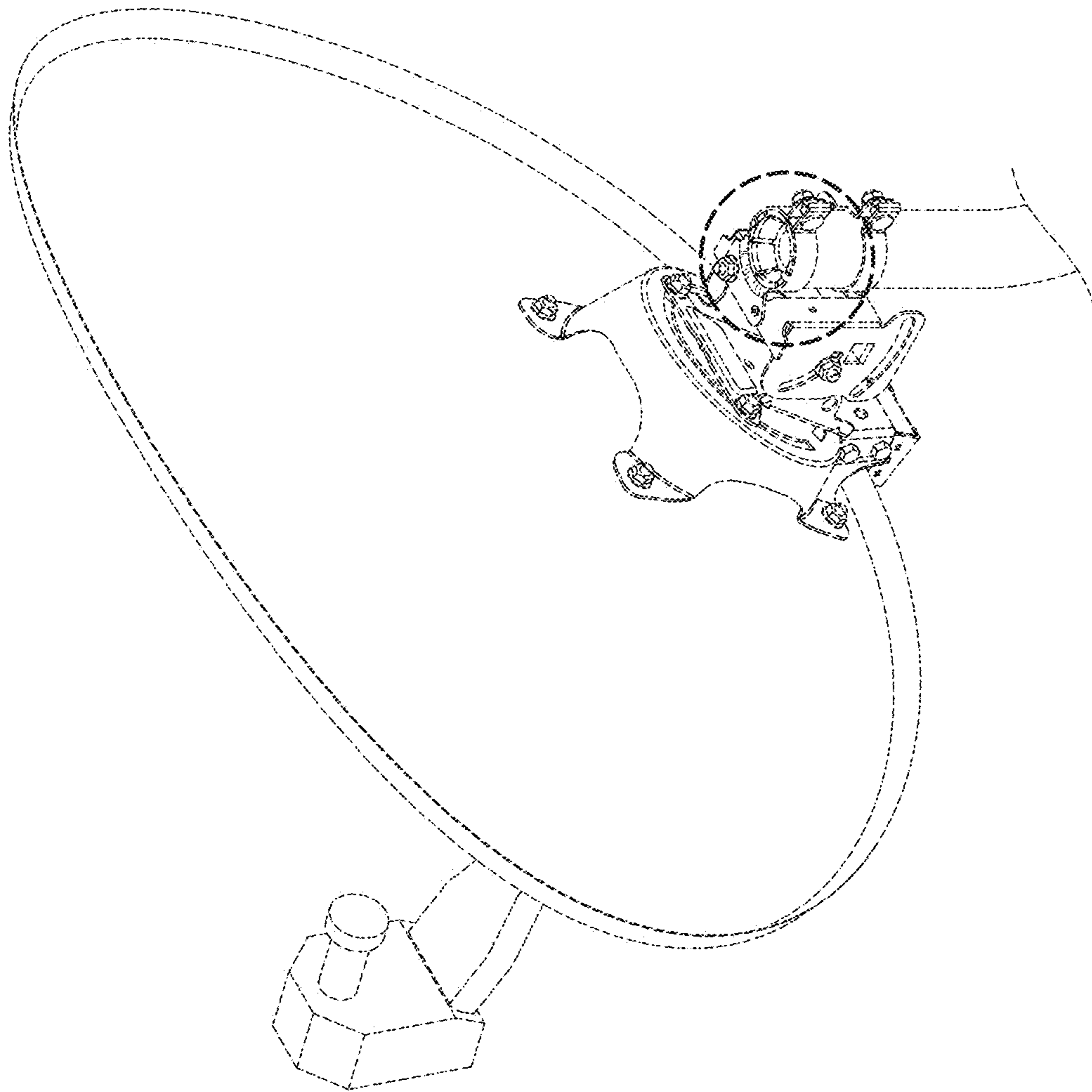


FIG. 8

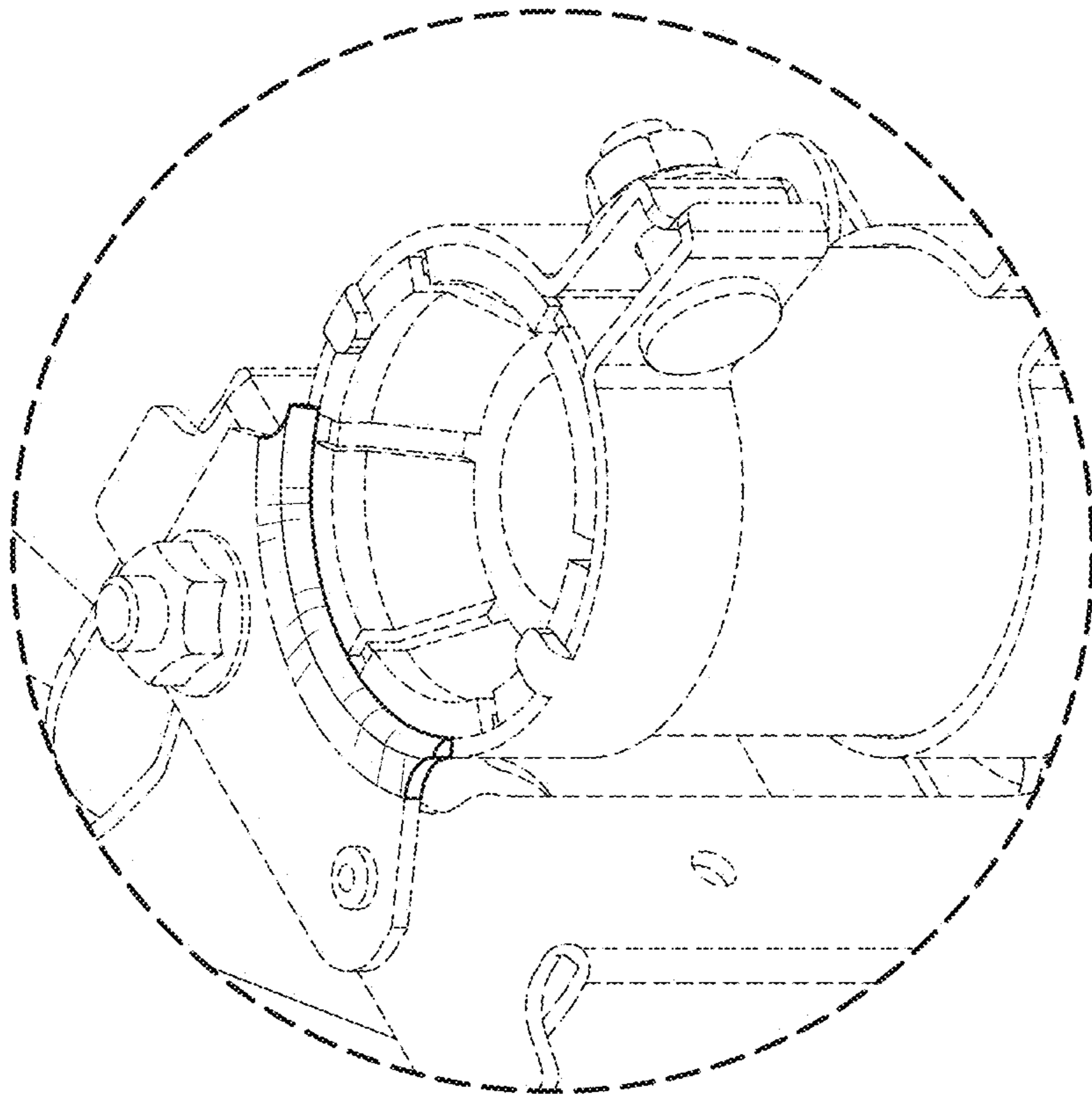


FIG. 9