



US00D923465S

(12) **United States Design Patent**
Davis

(10) **Patent No.:** **US D923,465 S**

(45) **Date of Patent:** **** Jun. 29, 2021**

(54) **CROSS WIRE CONNECTING DEVICE**

(71) Applicant: **GRIPPLE LIMITED**, Sheffield (GB)

(72) Inventor: **Simon Davis**, Sheffield (GB)

(73) Assignee: **GRIPPLE LIMITED**

(**) Term: **15 Years**

(21) Appl. No.: **29/711,217**

(22) Filed: **Oct. 29, 2019**

(30) **Foreign Application Priority Data**

May 2, 2019 (EM) 006403069-0001
May 2, 2019 (EM) 006403069-0002

(51) **LOC (13) Cl.** **08-08**

(52) **U.S. Cl.**
USPC **D8/394; D8/354**

(58) **Field of Classification Search**
USPC D8/394-395, 71-74, 499, 354, 355, 373,
D8/356, 383; D19/65
CPC . D06F 55/00; A41B 3/08; A41F 15/02; F16B
19/1081; G09F 3/14; B42F 1/006; B42F
1/08; B42F 9/001; A47F 7/02
See application file for complete search history.

(56) **References Cited**

U.S. PATENT DOCUMENTS

2,571,337 A * 10/1951 Burnham E02B 3/068
405/218
3,015,869 A * 1/1962 Rapata F16B 12/30
248/73
3,360,883 A * 1/1968 Glanzer A63H 33/102
446/120
4,483,334 A * 11/1984 Murray A61B 17/60
403/391

4,804,166 A * 2/1989 Makus E04H 17/10
248/228.7
4,835,933 A * 6/1989 Yung E04C 5/168
248/74.4
4,946,122 A * 8/1990 Ramsey B01L 9/50
248/229.2
D333,423 S * 2/1993 Sigle D8/394
5,371,991 A * 12/1994 Bechtel E04C 5/167
24/336
5,498,098 A * 3/1996 Cairns B65G 21/2072
248/231.61
D453,671 S * 2/2002 Von Fange D8/72
6,499,667 B1 * 12/2002 Rhodes E01B 9/34
238/264
6,622,352 B2 * 9/2003 Herron A01G 17/08
24/336
7,191,988 B2 * 3/2007 Kim F16L 3/085
248/229.2
D569,718 S * 5/2008 Nakamura D8/394

(Continued)

Primary Examiner — John Windmuller

(74) *Attorney, Agent, or Firm* — Clark Hill PLC; James R. Foley

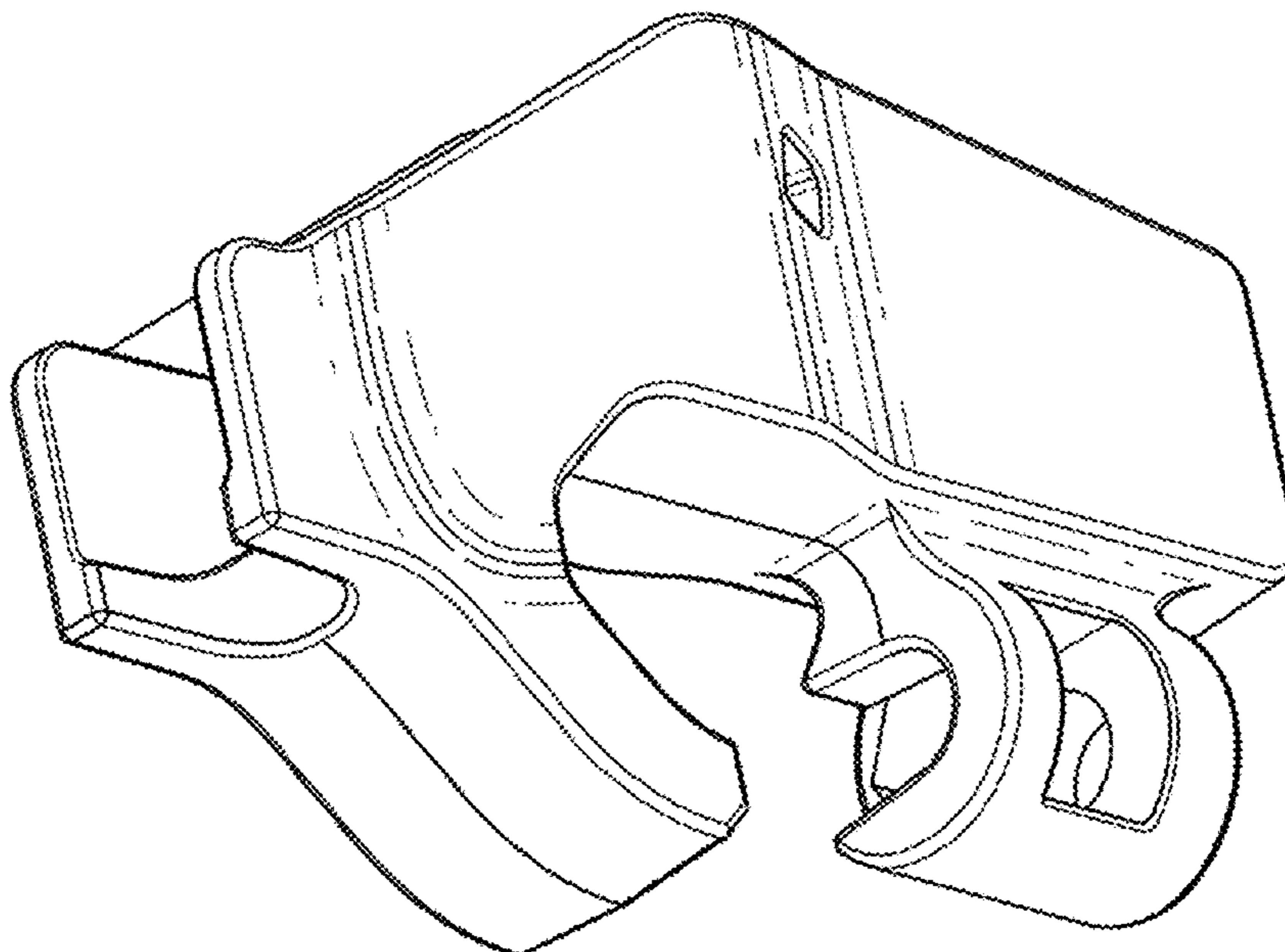
(57) **CLAIM**

The ornamental design for a cross wire connecting device, as shown and described.

DESCRIPTION

FIG. 1 is a perspective view of the cross wire connecting device;
FIG. 2 is a left side view of the cross wire connecting device;
FIG. 3 is a right side view of the cross wire connecting device;
FIG. 4 is a top view of the cross wire connecting device;
FIG. 5 is a bottom view of the cross wire connecting device;
FIG. 6 is a front view of the cross wire connecting device;
and,
FIG. 7 is a back view of the cross wire connecting device.

1 Claim, 6 Drawing Sheets



(56)

References Cited

U.S. PATENT DOCUMENTS

D583,225 S * 12/2008 McNeill D8/394
7,637,381 B2 * 12/2009 Foxx B61G 7/00
213/76
D736,609 S * 8/2015 Coats D8/394
D742,731 S * 11/2015 Zedan D8/394
D745,380 S * 12/2015 Williams D8/394
D749,940 S * 2/2016 Hermle D8/394
D750,475 S * 3/2016 Bucher D8/382
D777,793 S * 1/2017 Singh D15/7
D781,683 S * 3/2017 Yi D8/354
D816,577 S * 5/2018 Harrah D12/223
D829,089 S * 9/2018 Paik D8/394
D836,428 S * 12/2018 Pittman D8/382
D852,612 S * 7/2019 Paik D8/394
D857,488 S * 8/2019 Singh D8/394
D902,022 S * 11/2020 Orikawa D8/394
D905,538 S * 12/2020 Parihar D8/354
D913,781 S * 3/2021 Rigoli D8/394
2011/0047915 A1 * 3/2011 Waters, Jr. E04C 5/167
52/414
2011/0107714 A1 * 5/2011 Kodi E04C 5/163
52/686

* cited by examiner

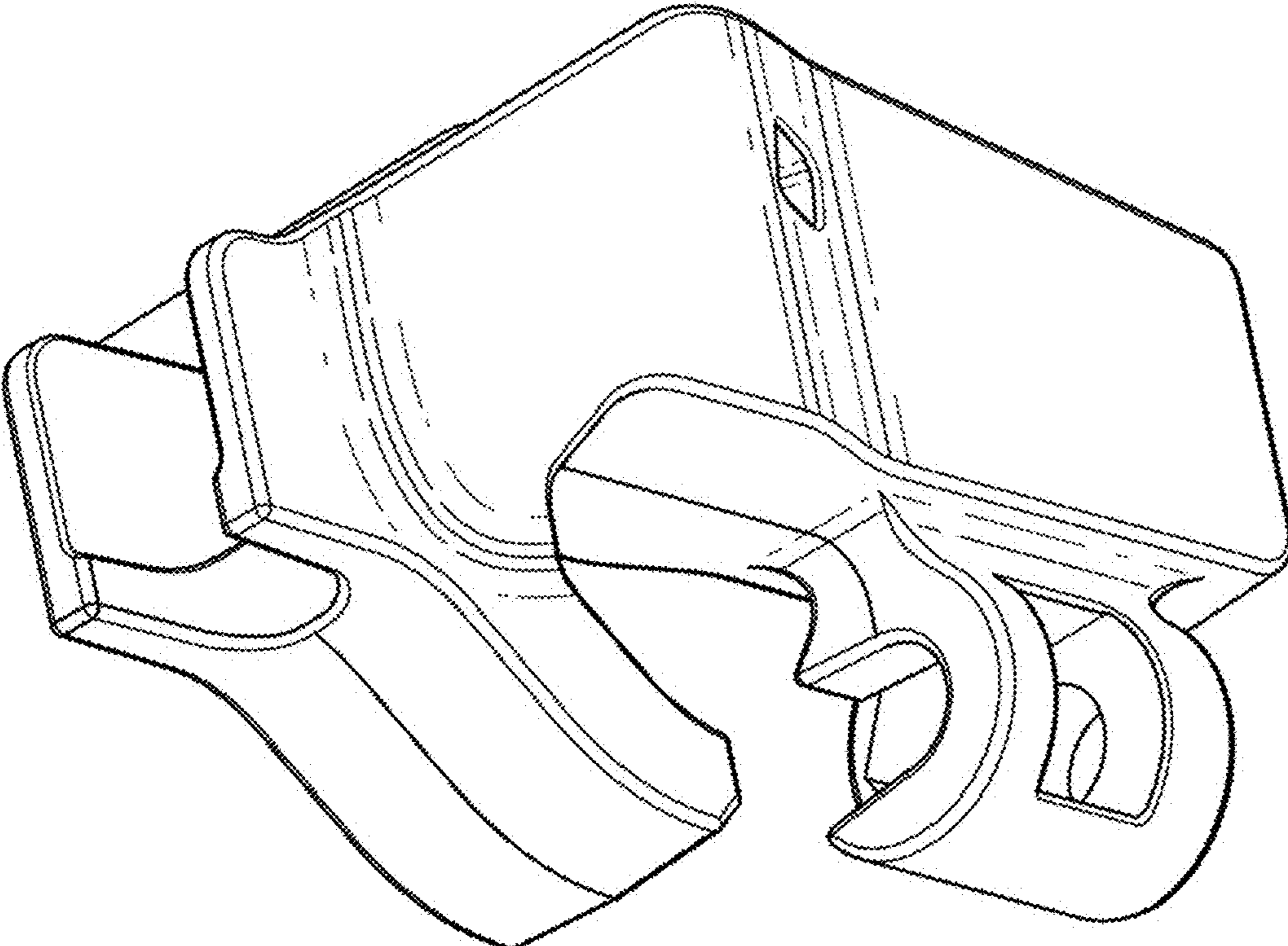


FIGURE 1

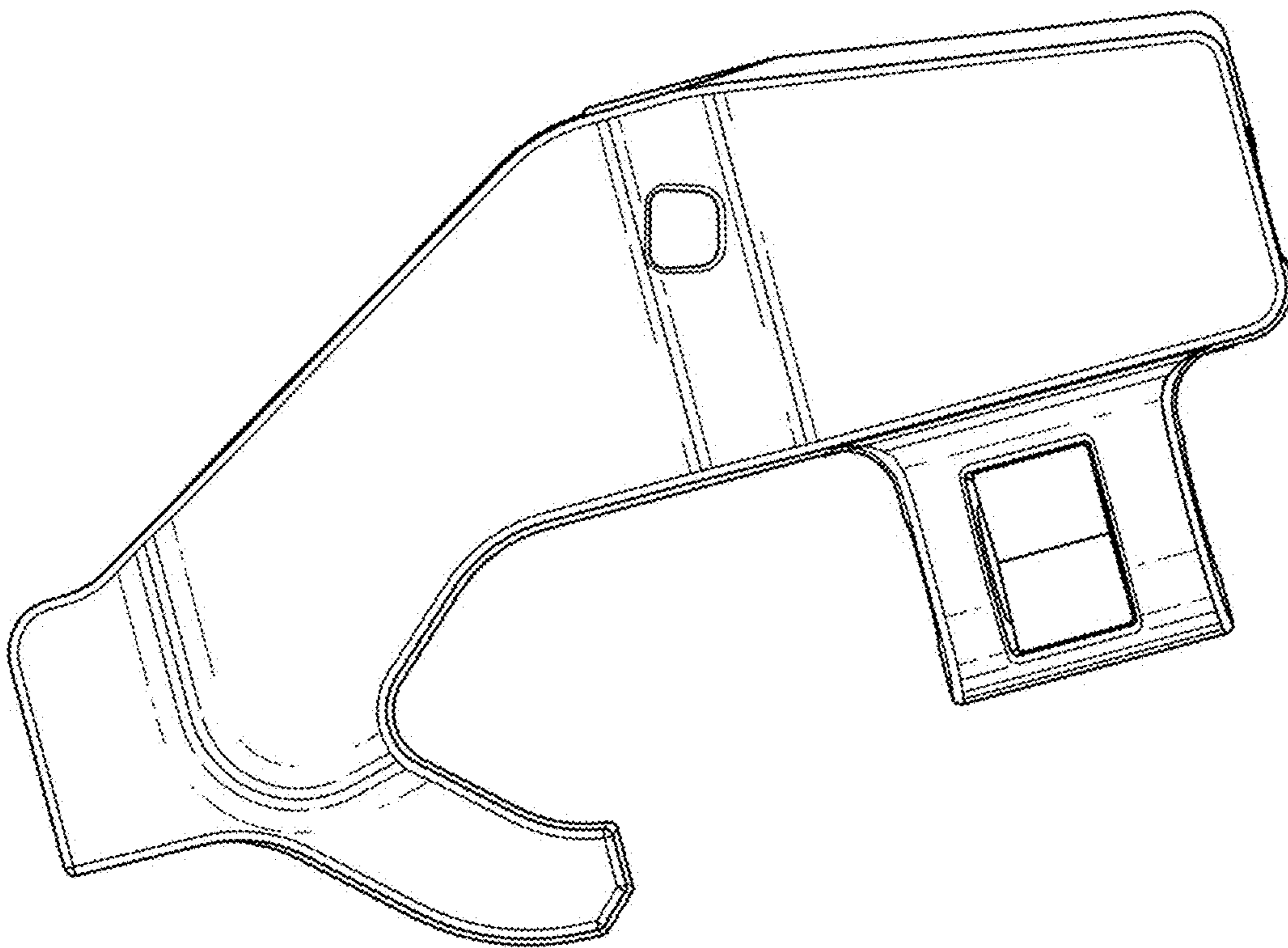


FIGURE 2

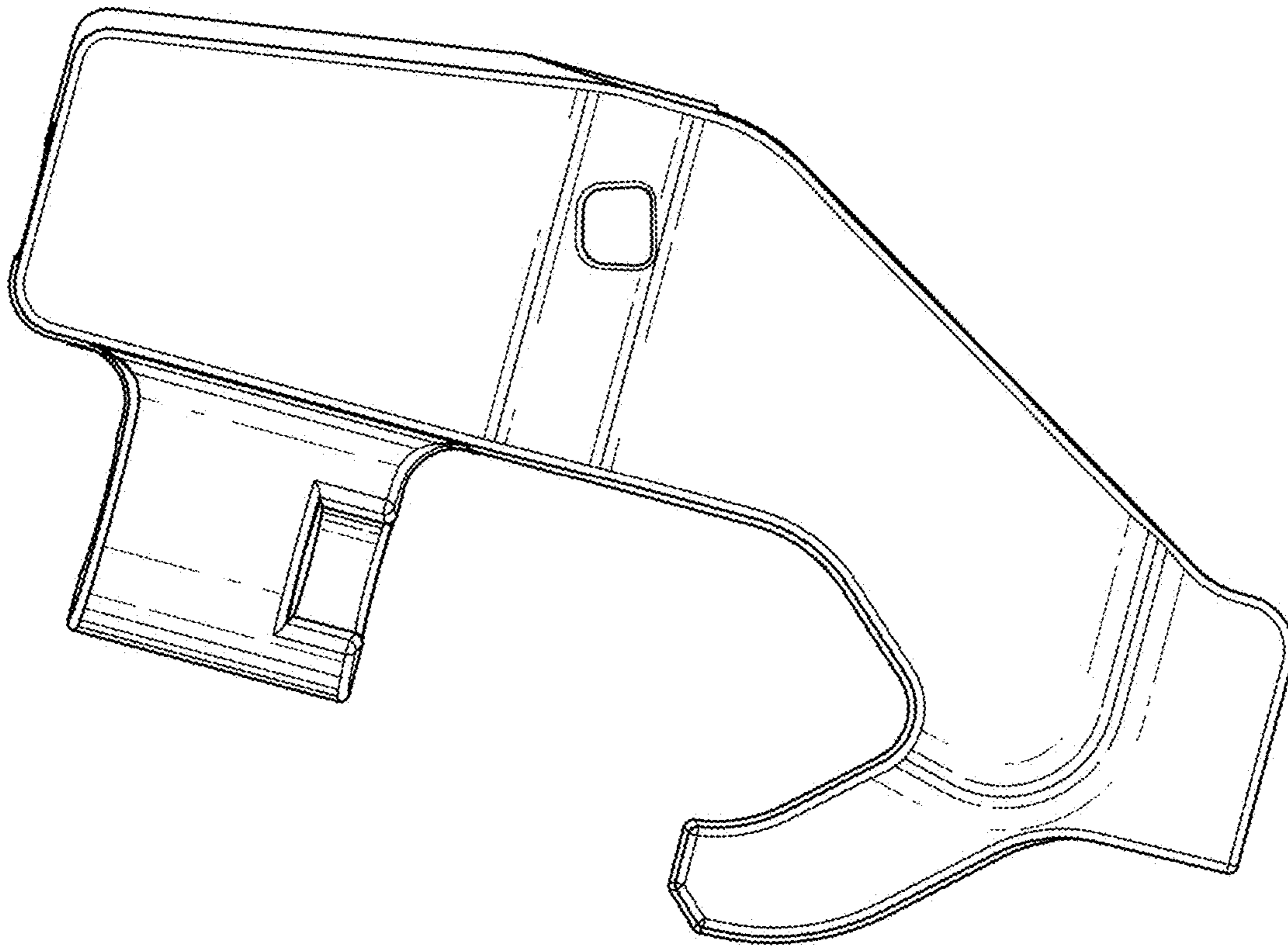


FIGURE 3

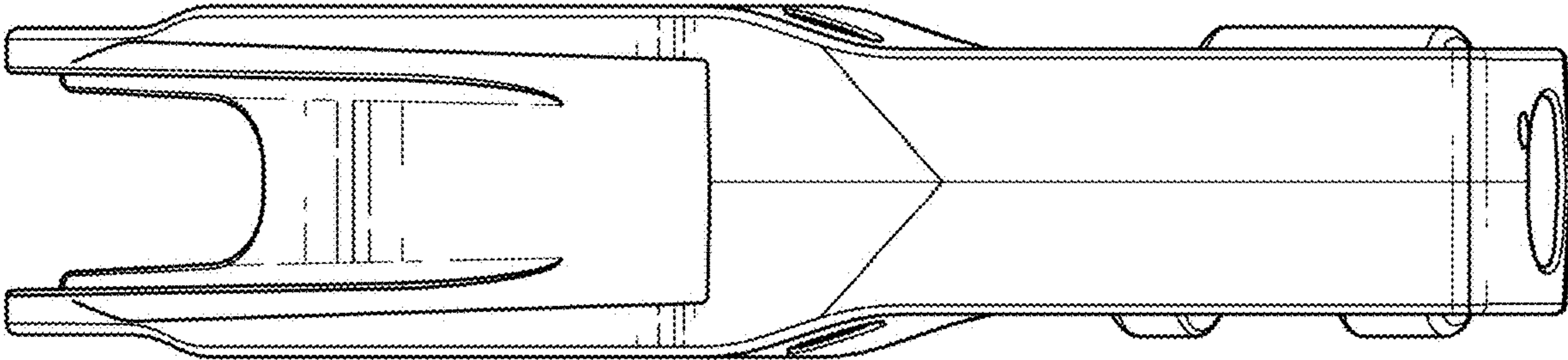


FIGURE 4

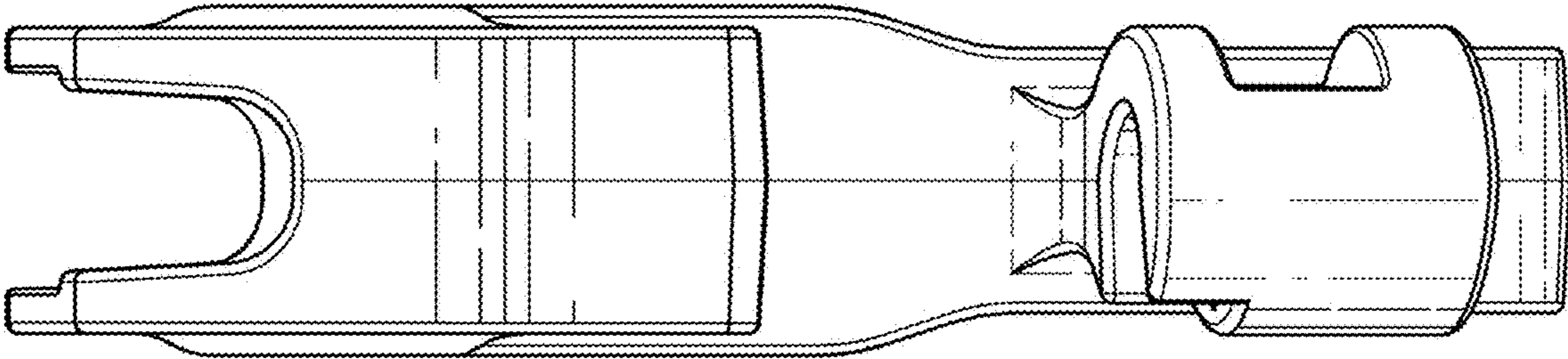


FIGURE 5

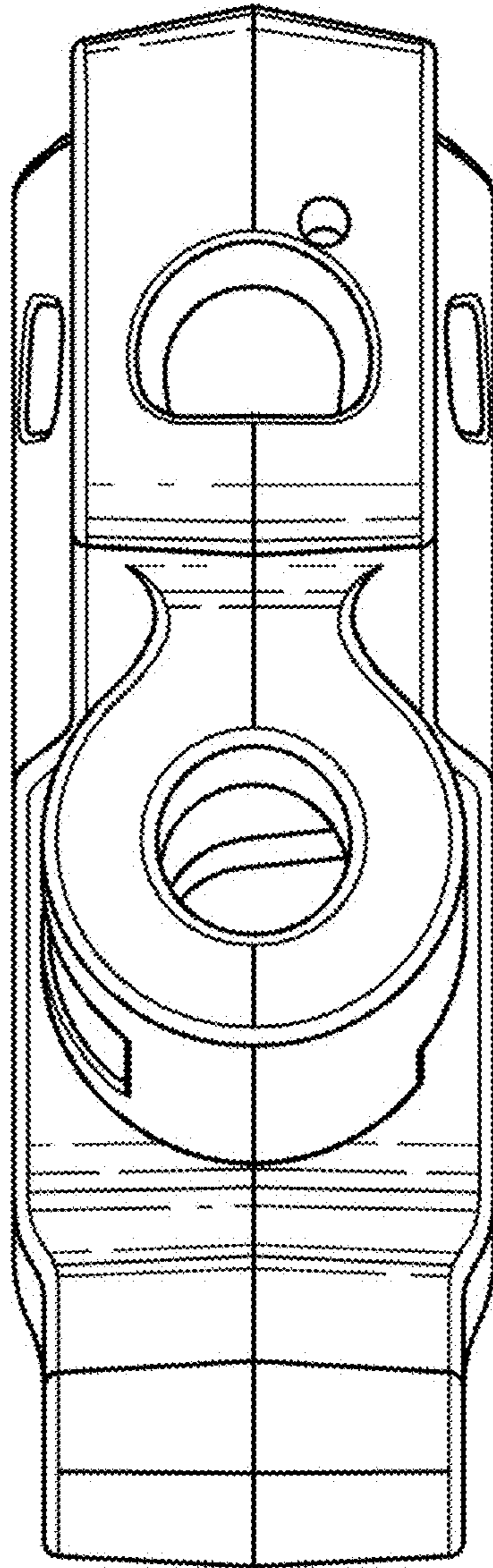


FIGURE 6

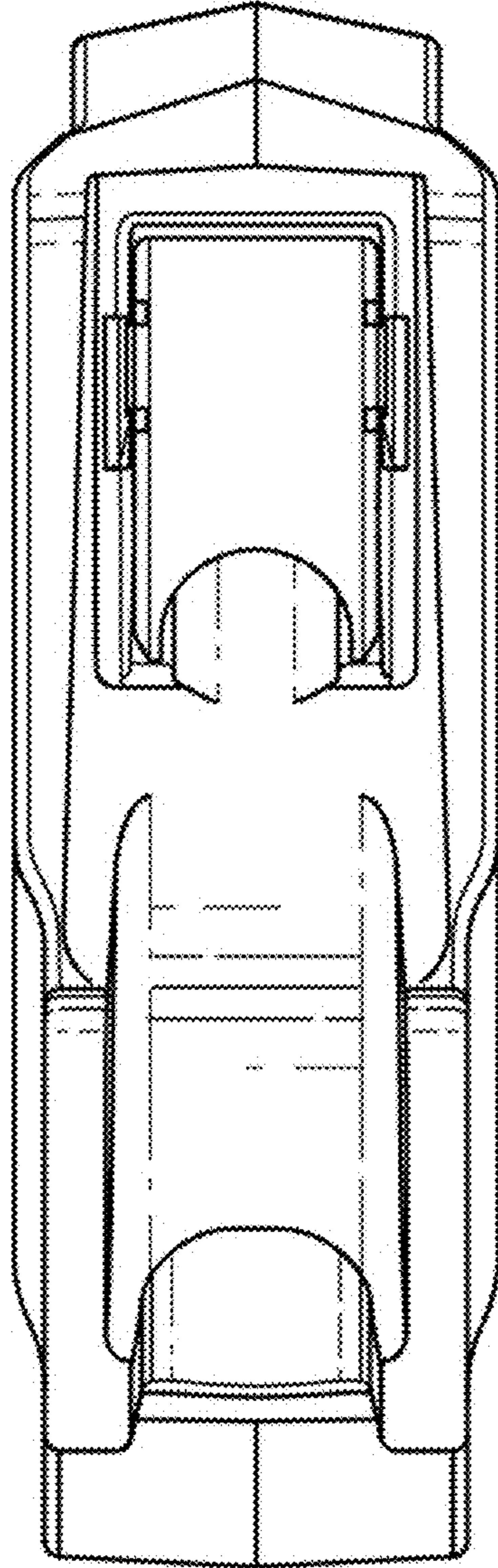


FIGURE 7