



US00D923464S

(12) **United States Design Patent** (10) **Patent No.:** **US D923,464 S**
Murphy et al. (45) **Date of Patent:** **** Jun. 29, 2021**

- (54) **STORAGE RACK GUARD DROP-IN BRACKET DEVICE**
- (71) Applicant: **SpaceGuard Products, Inc.**, Seymour, IN (US)
- (72) Inventors: **Edward M. Murphy**, Columbus, IN (US); **Scott A. Jump**, North Vernon, IN (US); **Christopher Lee Roberts**, Seymour, IN (US)
- (73) Assignee: **SpaceGuard Products, Inc.**, Seymour, IN (US)

- 5,349,909 A 9/1994 Smit et al.
- D357,400 S 4/1995 Sachs
- D408,266 S 4/1999 Santiago
- D420,278 S 2/2000 Coffey et al.
- D422,886 S 4/2000 Shea
- D432,901 S 10/2000 McDonald
- 6,155,441 A 12/2000 Andersen et al.
- 6,196,141 B1 3/2001 Herron et al.
- 6,202,570 B1 3/2001 Kurtsman
- 6,273,534 B1 8/2001 Bueley et al.
- 6,352,164 B1 3/2002 Hyatte et al.
- D542,632 S 5/2007 Hill
- D573,008 S 7/2008 Sipe

(Continued)

(**) Term: **15 Years**

(21) Appl. No.: **29/751,081**

(22) Filed: **Sep. 18, 2020**

Related U.S. Application Data

- (62) Division of application No. 29/588,872, filed on Dec. 23, 2016, now Pat. No. Des. 913,779.
- (51) **LOC (13) Cl.** **08-05**
- (52) **U.S. Cl.**
USPC **D8/381**
- (58) **Field of Classification Search**
USPC D8/349, 354, 373, 380, 381
CPC A47B 96/06; A47B 57/22; A47B 96/021
See application file for complete search history.

(56) **References Cited**

U.S. PATENT DOCUMENTS

- 2,104,831 A 1/1938 Martin
- 2,157,309 A 5/1939 Enoch et al.
- 3,352,584 A 11/1967 Teofil et al.
- 3,392,848 A 7/1968 Kennedy et al.
- 3,572,263 A 3/1971 Propst
- 4,131,204 A 12/1978 Jacoby et al.
- 4,212,638 A 7/1980 Korn
- D327,214 S 6/1992 Stuart

FOREIGN PATENT DOCUMENTS

WO 2018118083 A1 6/2018

OTHER PUBLICATIONS

PCT/US2016/068524, "Application Serial No. PCT/US2016/068524, International Search Report and Written Opinion dated Mar. 17, 2017", SpaceGuard Products, Inc., 26 Pages.

(Continued)

Primary Examiner — Keli L Hill
Assistant Examiner — Harold E Blackwell, II
(74) *Attorney, Agent, or Firm* — GTC Law Group PC & Affiliates

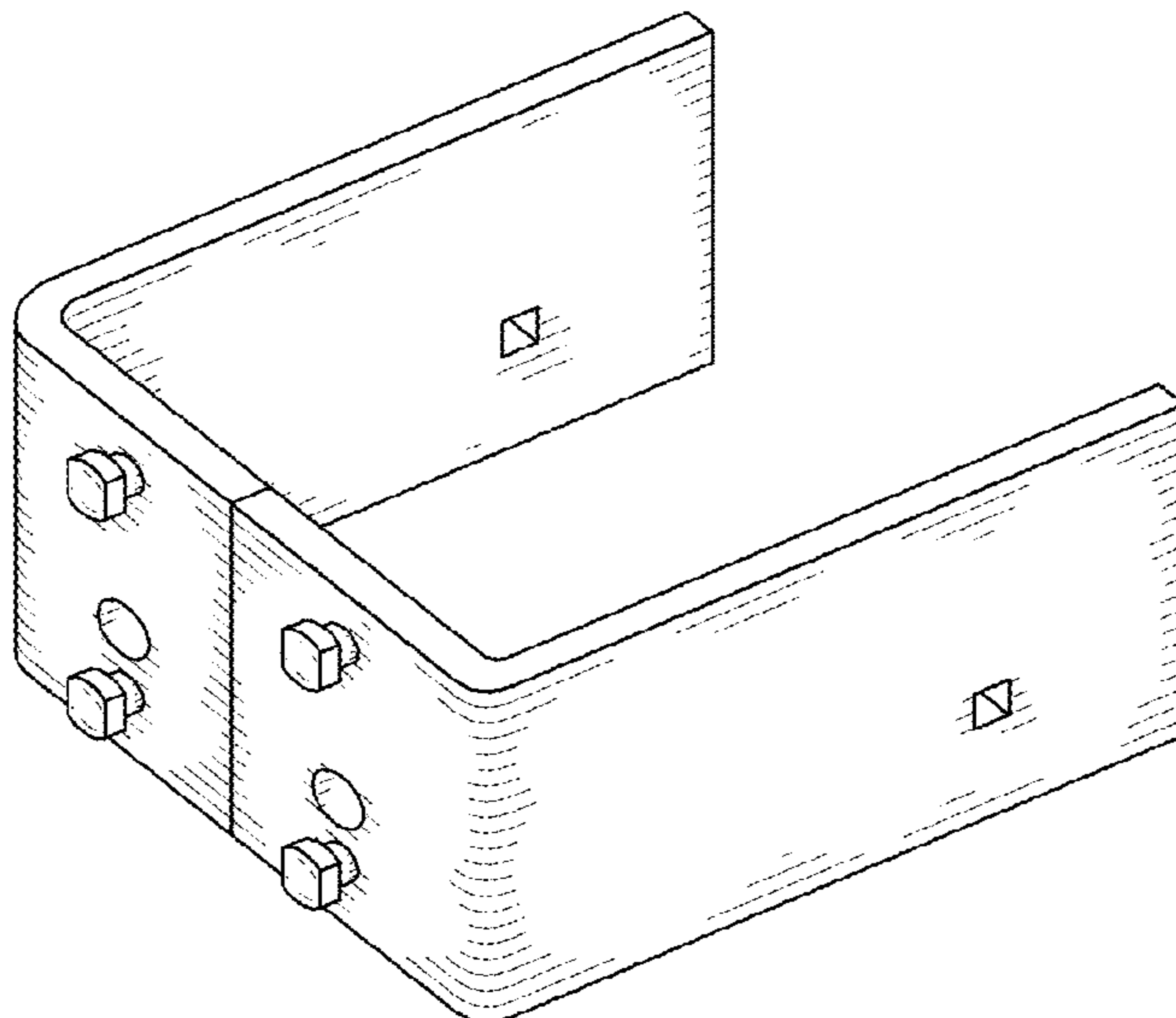
(57) **CLAIM**

The ornamental design for a storage rack guard drop-in bracket device, as shown.

DESCRIPTION

FIG. 1 is a perspective view of our new design including a pair of storage rack guard drop-in brackets; FIG. 2 is a second perspective view of our new design; FIG. 3 is a first side view of our new design; and, FIG. 4 is a second side view of our new design.

1 Claim, 1 Drawing Sheet



(56)

References Cited

U.S. PATENT DOCUMENTS

D667,290 S 9/2012 Chelton
D845,113 S 4/2019 Salter
2005/0111912 A1 5/2005 Brain et al.
2006/0022105 A1* 2/2006 MacKay F16B 45/00
248/304
2014/0284294 A1 9/2014 Taylor
2019/0307248 A1* 10/2019 Murphy A47B 96/20

OTHER PUBLICATIONS

PCT/US2016/068524, "International Application Serial No. PCT/US2016/068524, International Preliminary Report on Patentability dated Jul. 4, 2019", SpaceGuard Products, Inc., 11 pages.

U.S. Appl. No. 16/987,558, filed Aug. 7, 2020, Pending, Murphy et al.

U.S. Appl. No. 29/588,872, filed Dec. 23, 2016, Pending, Murphy et al.

* cited by examiner

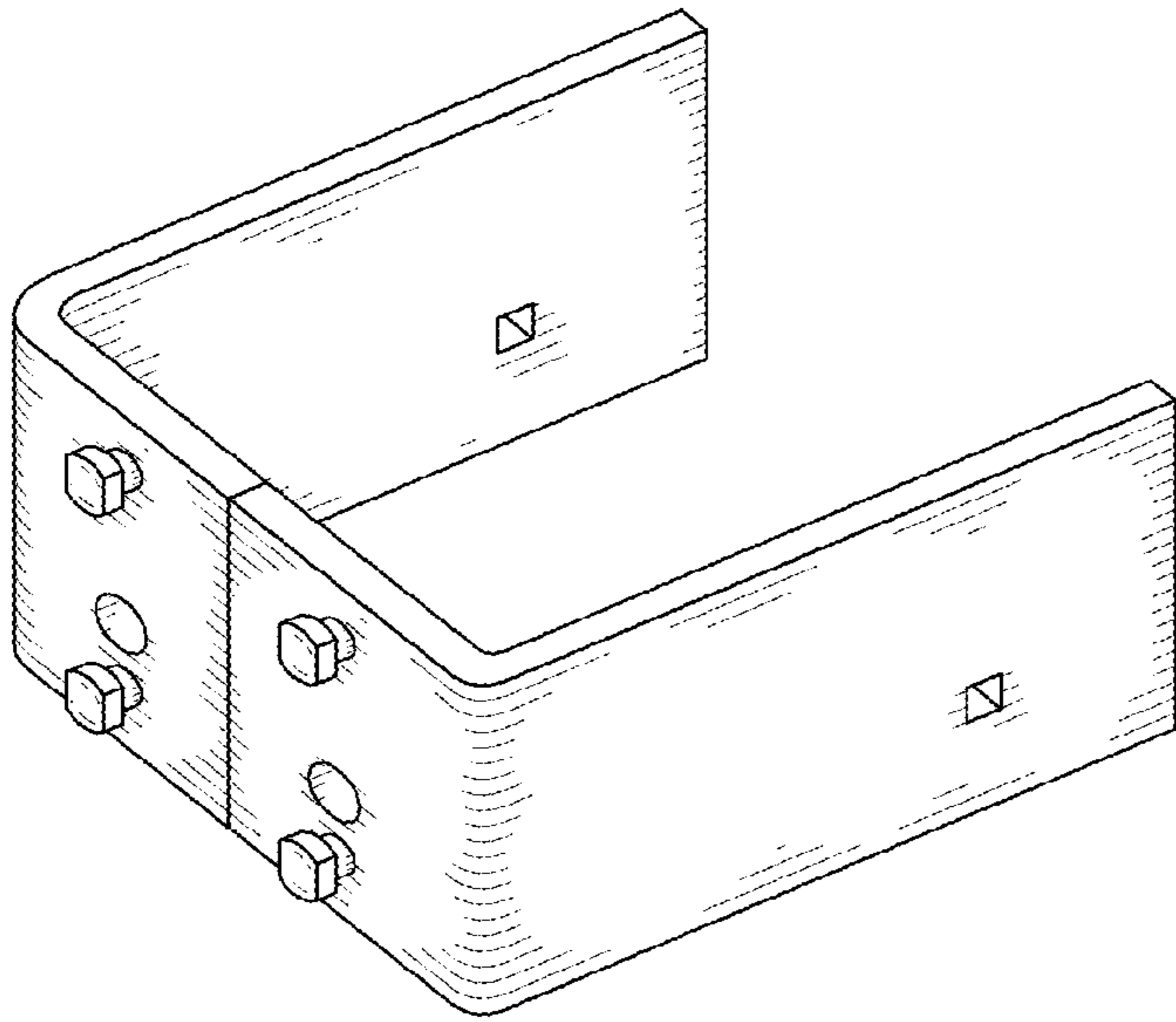


Fig. 1

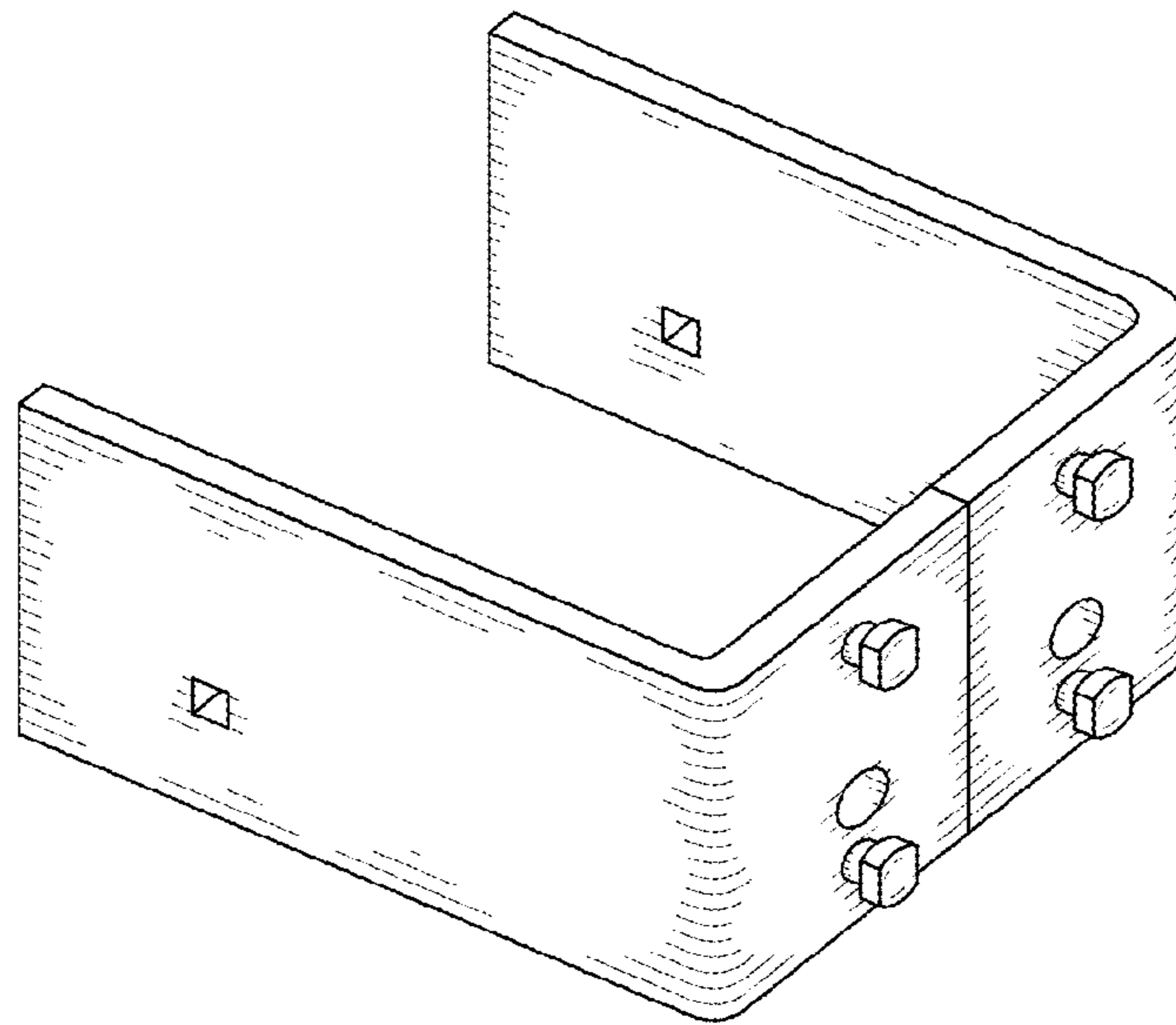


Fig. 2

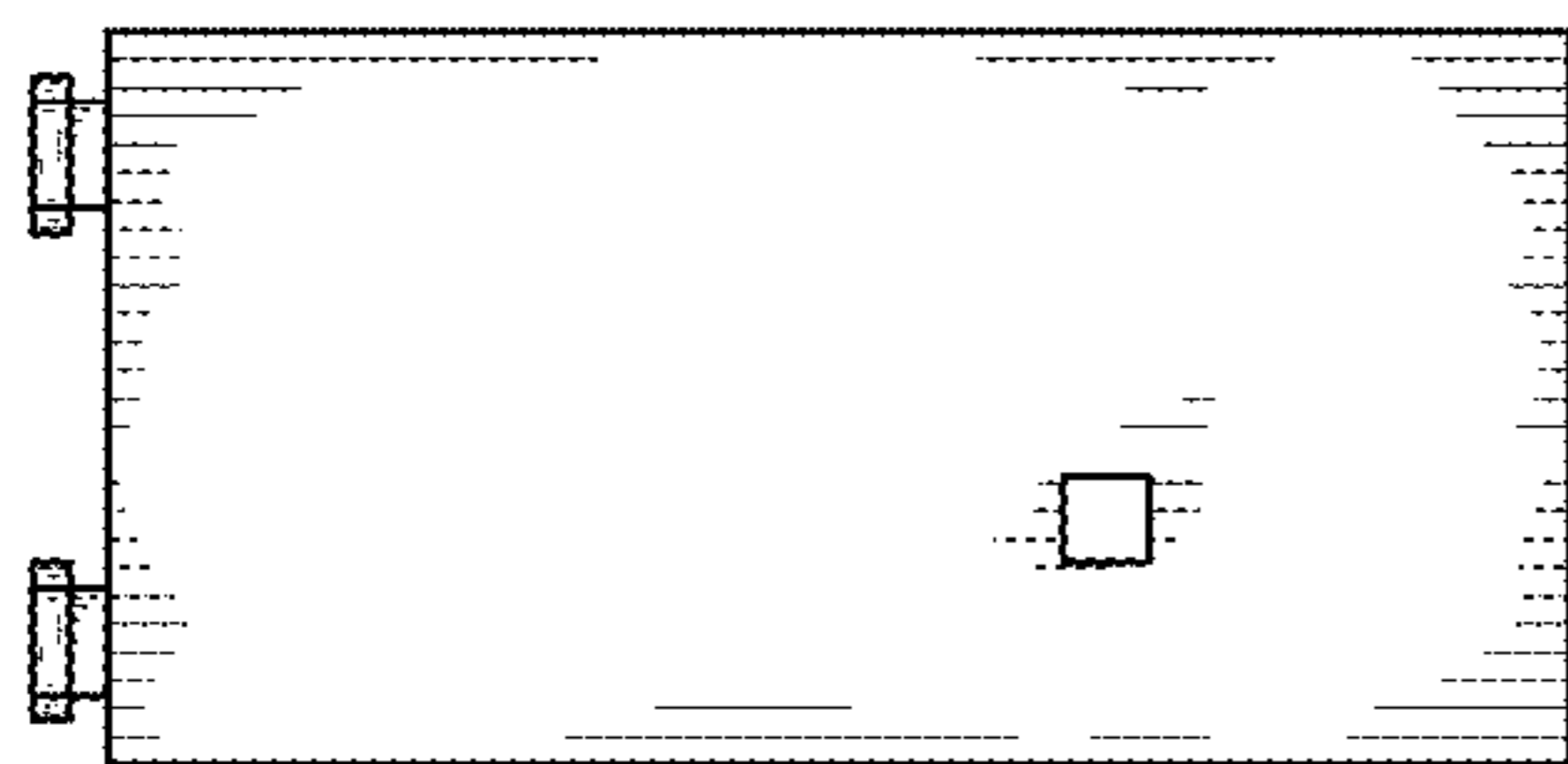


Fig. 3

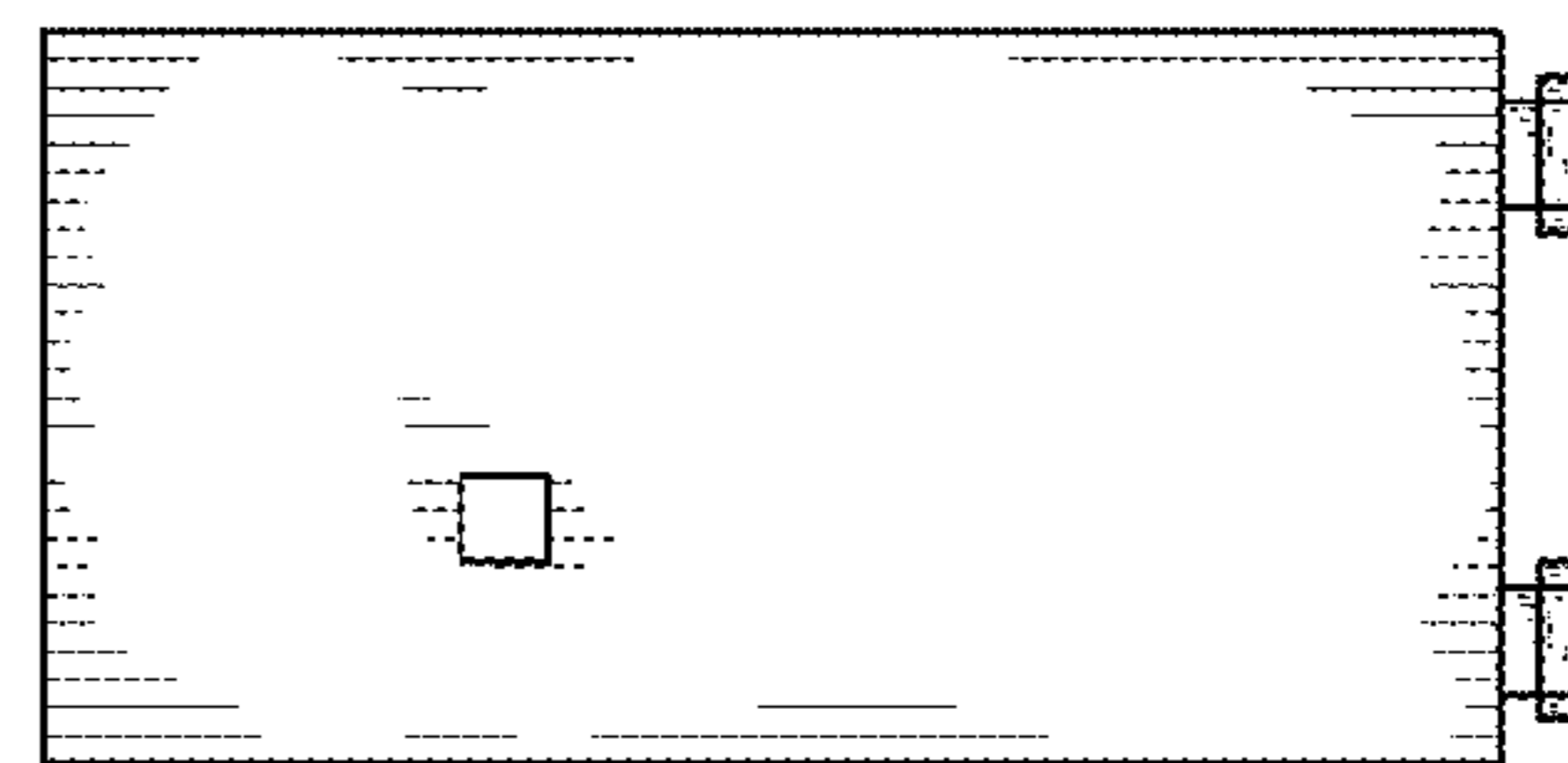


Fig. 4