



US00D923463S

(12) **United States Design Patent**
Krauss

(10) **Patent No.:** **US D923,463 S**

(45) **Date of Patent:** **** Jun. 29, 2021**

(54) **PROTECTOR FOR FURNITURE WHEELS**

(71) Applicant: **Gross + Froelich GmbH & Co. KG,**
Weil der Stadt (DE)

(72) Inventor: **Ferdinand Krauss,** Sindelfingen (DE)

(**) Term: **15 Years**

(21) Appl. No.: **35/508,377**

(22) Filed: **Apr. 12, 2019**

(80) **Hague Agreement Data**

Int. Filing Date: **Apr. 12, 2019**

Int. Reg. No.: **DM/205271**

Int. Reg. Date: **Apr. 12, 2019**

Int. Reg. Pub. Date: **Jan. 24, 2020**

(30) **Foreign Application Priority Data**

Oct. 24, 2018 (EM) 005807443-0002

(51) **LOC (13) Cl.** **08-05**

(52) **U.S. Cl.**
USPC **D8/375**

(58) **Field of Classification Search**

USPC D8/375; D6/366, 716

CPC Y10T 16/18; Y10T 16/184; Y10T 16/1853

See application file for complete search history.

(56) **References Cited**

U.S. PATENT DOCUMENTS

D470,747 S *	2/2003	Chi	D12/204
D486,727 S *	2/2004	Smith	D8/375
D516,414 S *	3/2006	Guttman	D8/375
D539,543 S *	4/2007	Wu	D3/318
D568,726 S *	5/2008	Kohagen	D8/375

D572,577 S *	7/2008	Hatton	D8/375
D592,042 S *	5/2009	Brodbeck	D8/375
D617,177 S *	6/2010	Trivini	D8/375
D617,632 S *	6/2010	Trivini	D8/375
D634,124 S *	3/2011	Fair	D3/318
D650,658 S *	12/2011	Magill	D8/375
D668,944 S *	10/2012	Tsai	D8/375
D701,753 S *	4/2014	Kubota	D8/375
D710,614 S *	8/2014	Meersschaert	D3/318
D721,018 S *	1/2015	Jurkiewicz	D12/133
D728,354 S *	5/2015	Fan	D8/375
D729,051 S *	5/2015	Fan	D8/375
D735,022 S *	7/2015	Fan	D8/375
9,108,462 B1 *	8/2015	Stone	B60B 33/0023
9,428,009 B2 *	8/2016	Sharratt	B60B 33/0028
D792,198 S *	7/2017	Cmich	D8/375
D795,680 S *	8/2017	Balas	D8/375
D823,098 S *	7/2018	Aubin	D8/375
D901,283 S *	11/2020	Chen	D8/375
2013/0097808 A1 *	4/2013	Long	B60B 33/0023 16/18 CG
2017/0015140 A1 *	1/2017	Sekine	B60B 33/045

* cited by examiner

Primary Examiner — Darlington Ly

(57) **CLAIM**

The ornamental design for a protector for furniture wheels, as shown and described.

DESCRIPTION

1. Protector for furniture wheels

1.1 is a front elevation of a protector for furniture wheels embodying my new design;

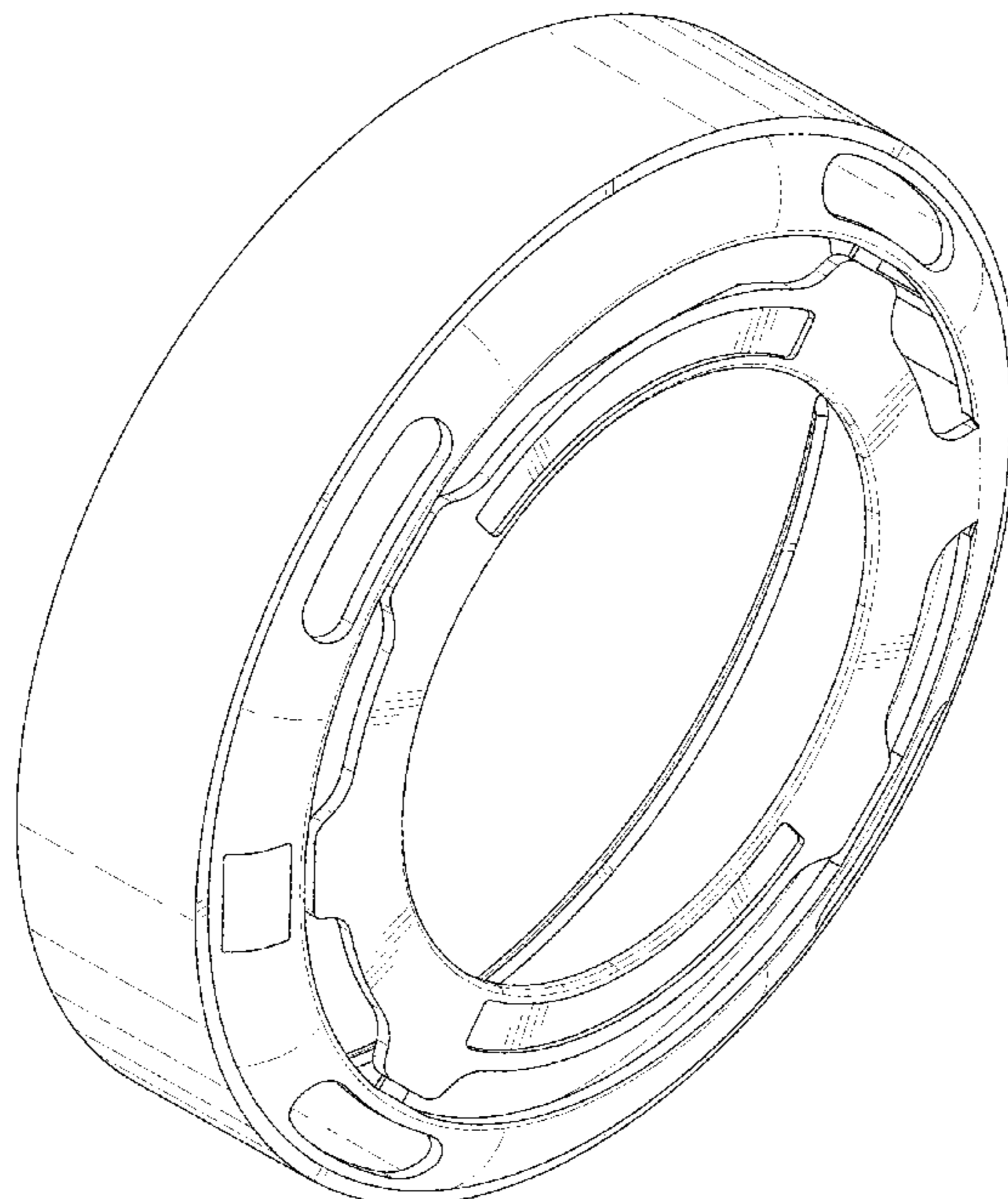
1.2 is a front perspective view thereof;

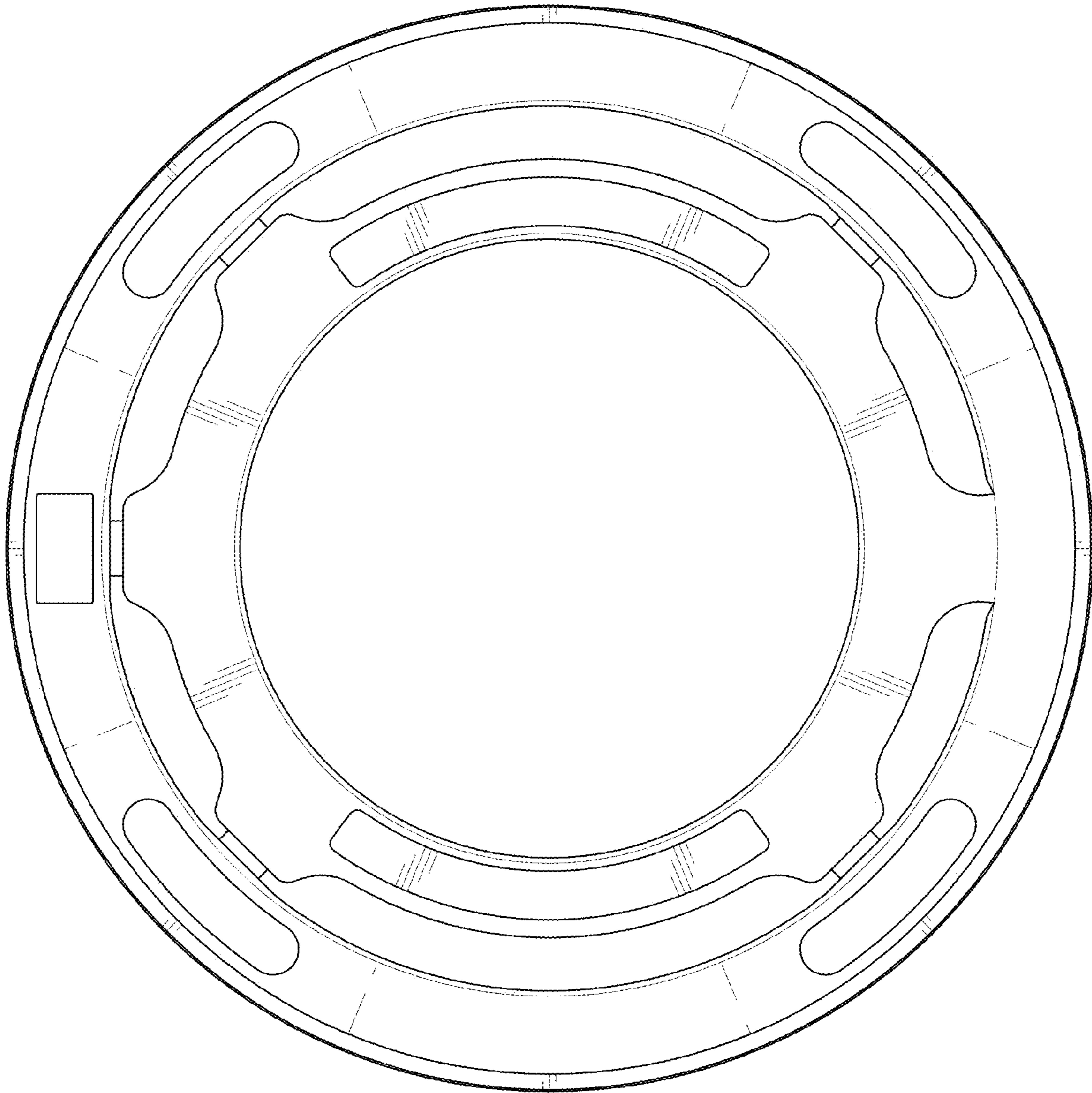
1.3 is a top plan view thereof;

1.4 is a rear elevation view thereof; and

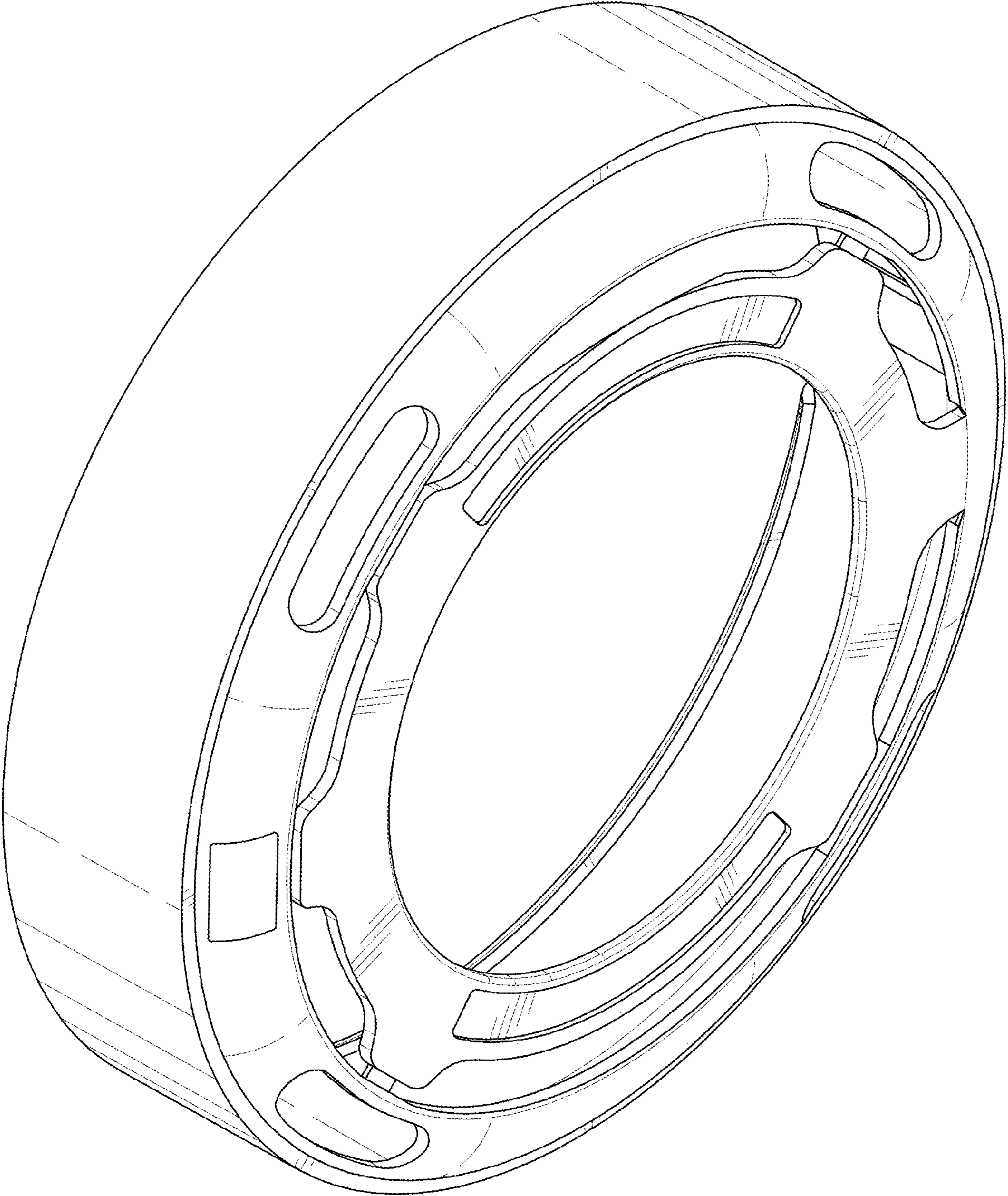
1.5 is a rear perspective view thereof.

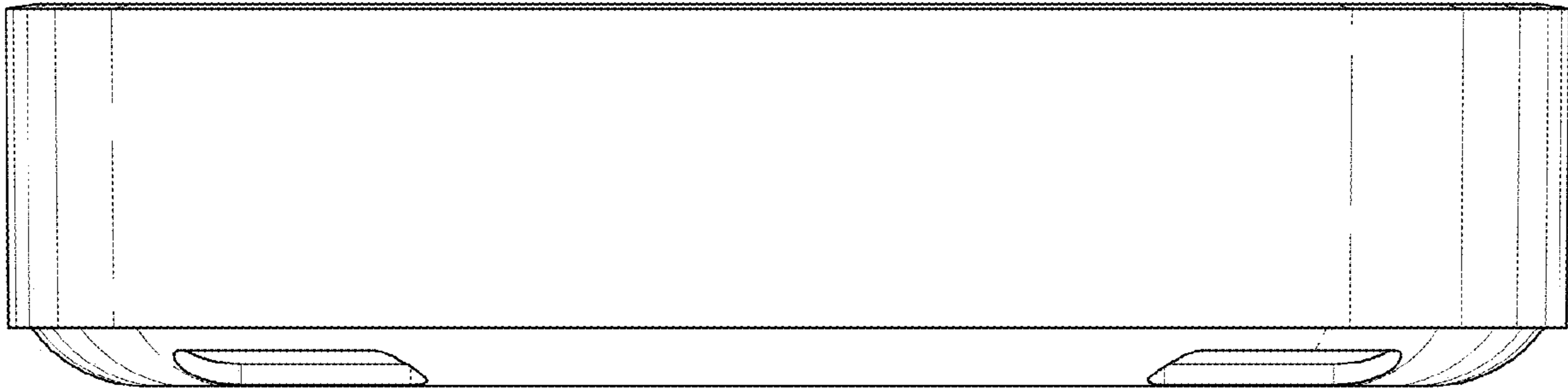
1 Claim, 5 Drawing Sheets





1.1





1.3

