



US00D923462S

(12) **United States Design Patent**
Wendling

(10) **Patent No.:** **US D923,462 S**
(45) **Date of Patent:** **** Jun. 29, 2021**

(54) FURNITURE RISER	2,947,441 A *	8/1960	Brannan	A24F 19/00 206/567
(71) Applicant: Allan Wendling , New Lothrop, MI (US)	3,126,666 A	3/1964	Peterson	
	3,138,893 A	6/1964	Rupar	
	D226,215 S *	1/1973	Hillis	D7/624.1
(72) Inventor: Allan Wendling , New Lothrop, MI (US)	5,186,182 A *	2/1993	Lin	A24F 19/0035 131/235.1
(**) Term: 15 Years	D336,843 S	6/1993	Hurst	
	5,345,631 A	9/1994	Saperstein et al.	

(21) Appl. No.: **29/744,498**
(22) Filed: **Jul. 29, 2020**

Related U.S. Application Data

(60) Division of application No. 29/715,441, filed on Dec. 2, 2019, now Pat. No. Des. 894,720, which is a continuation-in-part of application No. 29/670,049, filed on Nov. 13, 2018.

(51) **LOC (13) Cl.** **08-05**
(52) **U.S. Cl.**
USPC **D8/374**

(58) **Field of Classification Search**
USPC D8/374, 375; D7/624.1; D27/126;
D26/88, 90, 91; D14/374
CPC F16M 11/24; E02D 27/01; A47B 91/12;
A47B 91/005; A47C 7/002; A47C
19/024; A47C 19/045; F25C 5/18; B65D
25/02; A24F 19/00
See application file for complete search history.

(56) **References Cited**

U.S. PATENT DOCUMENTS

D44,952 S *	12/1913	Buser	D8/374
1,418,737 A *	6/1922	Reasner	A24F 19/0014 131/231
1,912,728 A *	6/1933	Roe	A47B 91/12 248/346.11
D130,014 S *	10/1941	Blatz	27/126
D163,554 S *	6/1951	Auer	D8/374
2,867,221 A *	1/1959	Farley	A24F 19/145 131/256

OTHER PUBLICATIONS

“Accdibca Bed Riser Furniture Lift Bed Frame Risers Create Under Bed Storage Heavy Duty Set of 4 (Wood Color)” Apr. 23, 2018, amazon.com, site visited May 13, 2021 <https://www.amazon.com/Acdibca-Furniture-Risers-Create-Storage/dp/B07869FKMC/ref=cm_cr_arp_d_product_top?ie=UTF8> (Year: 2018).*
(Continued)

Primary Examiner — Kevin K Rudzinski
Assistant Examiner — Paul D Bohannon
(74) *Attorney, Agent, or Firm* — Dinsmore & Shohl LLP

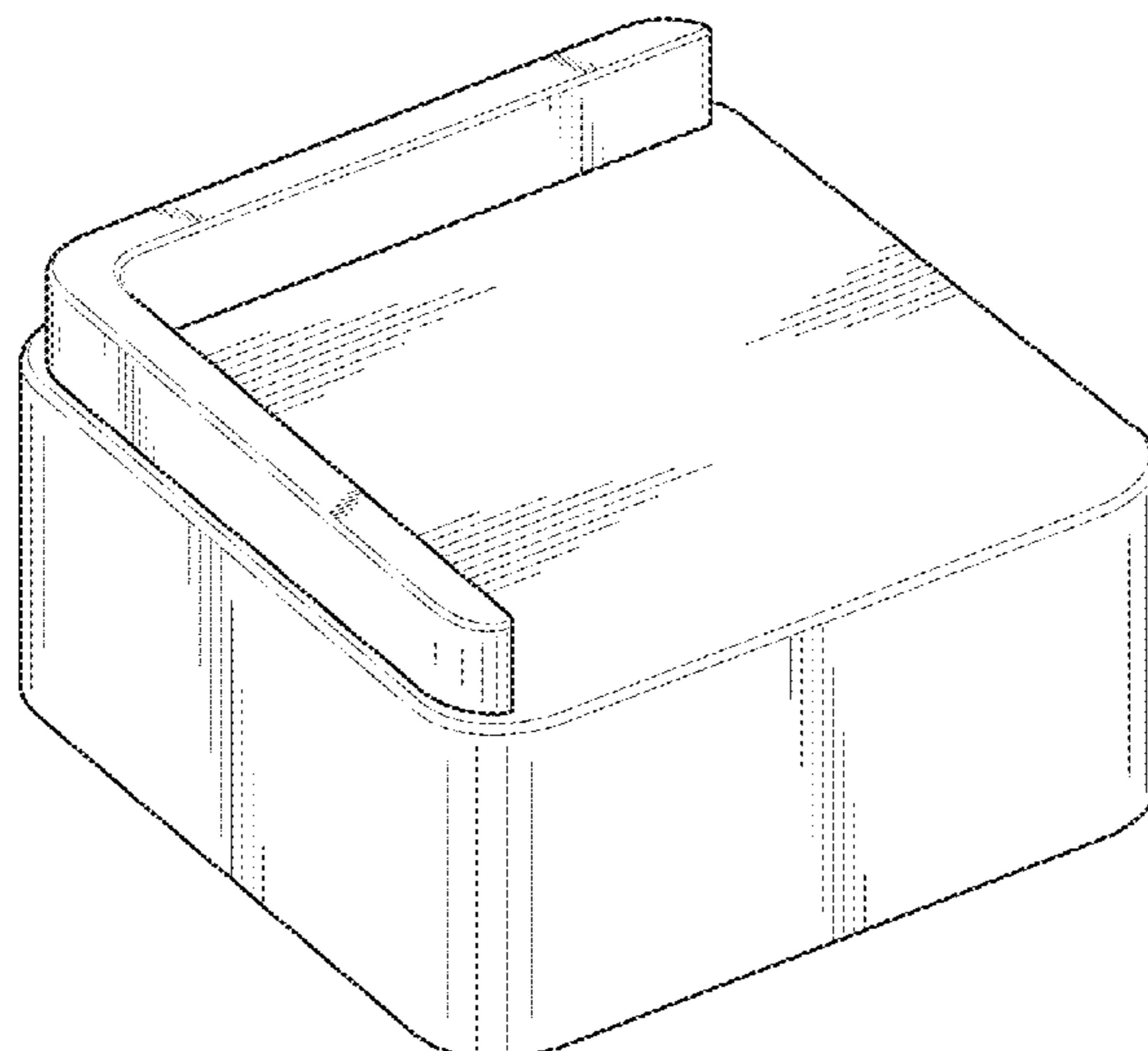
(57) **CLAIM**

The ornamental design for a furniture riser, as shown and described.

DESCRIPTION

FIG. 1 is a front perspective view illustrating a furniture riser;
FIG. 2 is a top view of the furniture riser;
FIG. 3 is a front view of the furniture riser;
FIG. 4 is a rear view of the furniture riser;
FIG. 5 is a right side view of the furniture riser;
FIG. 6 is a left side view of the furniture riser; and,
FIG. 7 is a bottom view of the furniture riser.
The broken lines show components of the furniture riser that form no part of the claimed design.

1 Claim, 3 Drawing Sheets



(56)

References Cited

U.S. PATENT DOCUMENTS

D423,340 S 4/2000 Sittig
 6,345,474 B1 2/2002 Triplett
 D487,695 S * 3/2004 Sittig D8/374
 D493,095 S 7/2004 Sittig
 D493,096 S 7/2004 Sittig
 D653,088 S * 1/2012 Hansen D7/624.1
 9,033,293 B1 5/2015 Glenn et al.
 D734,135 S 7/2015 Merey
 D734,993 S * 7/2015 Marina D7/624.1
 D736,607 S 8/2015 Sheldon
 D760,069 S * 6/2016 Pierce D8/374
 D784,120 S 4/2017 Abdi et al.
 D810,993 S * 2/2018 Genovese D26/91
 D812,284 S * 3/2018 Arndt D26/88
 D828,144 S 9/2018 Rodack
 D893,288 S * 8/2020 Wendling D8/374
 D894,720 S * 9/2020 Wendling D8/374
 D896,429 S * 9/2020 Velez D26/88
 D896,621 S * 9/2020 Wendling D8/374
 D896,622 S * 9/2020 Wendling D8/374
 D898,118 S * 10/2020 Jo D20/10
 D915,871 S * 4/2021 Wendling D8/374

2017/0146275 A1* 5/2017 Culley F25C 5/182
 2019/0112105 A1* 4/2019 Lubbe B65D 43/0212
 2020/0146448 A1* 5/2020 Wendling A47B 91/005

OTHER PUBLICATIONS

Dappre Furniture Riser Bed Riser Heavy Duty Furniture Riser for Bed Chair Sofa Table 4 PCS 3-inch; https://www.amazon.com/Dappre-Furniture-Riser-Heavy-3-inch/dp/B07Y9XKWCR/ref=sr_1_231?keywords=furniture+riser&qid=1575239703&sr=8-231, Dec. 1, 2019, 1 page.
 Acdbca Bed Riser Furniture Lift ed Frame Risers Create Under Bed Storage Heavy Duty Set of 4 (white); https://www.amazon.com/Acdbca-Furniture-Risers-Create-Sorage/dp/B0783B8XBV/ref=sr_1_15?keywords=furniture+riser&qid=1575239070&sr=8-15; Apr. 23, 2017 (date of first review), 1 page.
 MEETWARM 3 Inch Bed Risers Heavy Duty Furniture Risers Stackable Platform Blocks for Dorm Couch Bed Sofa Chair Table (Black), Set of 4; https://www.amazon.com/MEETWARM-Risers-Furniture-Stackable-Platform/dp/B07SDCYRM6/ref=sr_1_30?keywords=furniture+riser&qid=1575239070&sr=8-30; Jul. 22, 2019 (date of first review); 1 page.

* cited by examiner

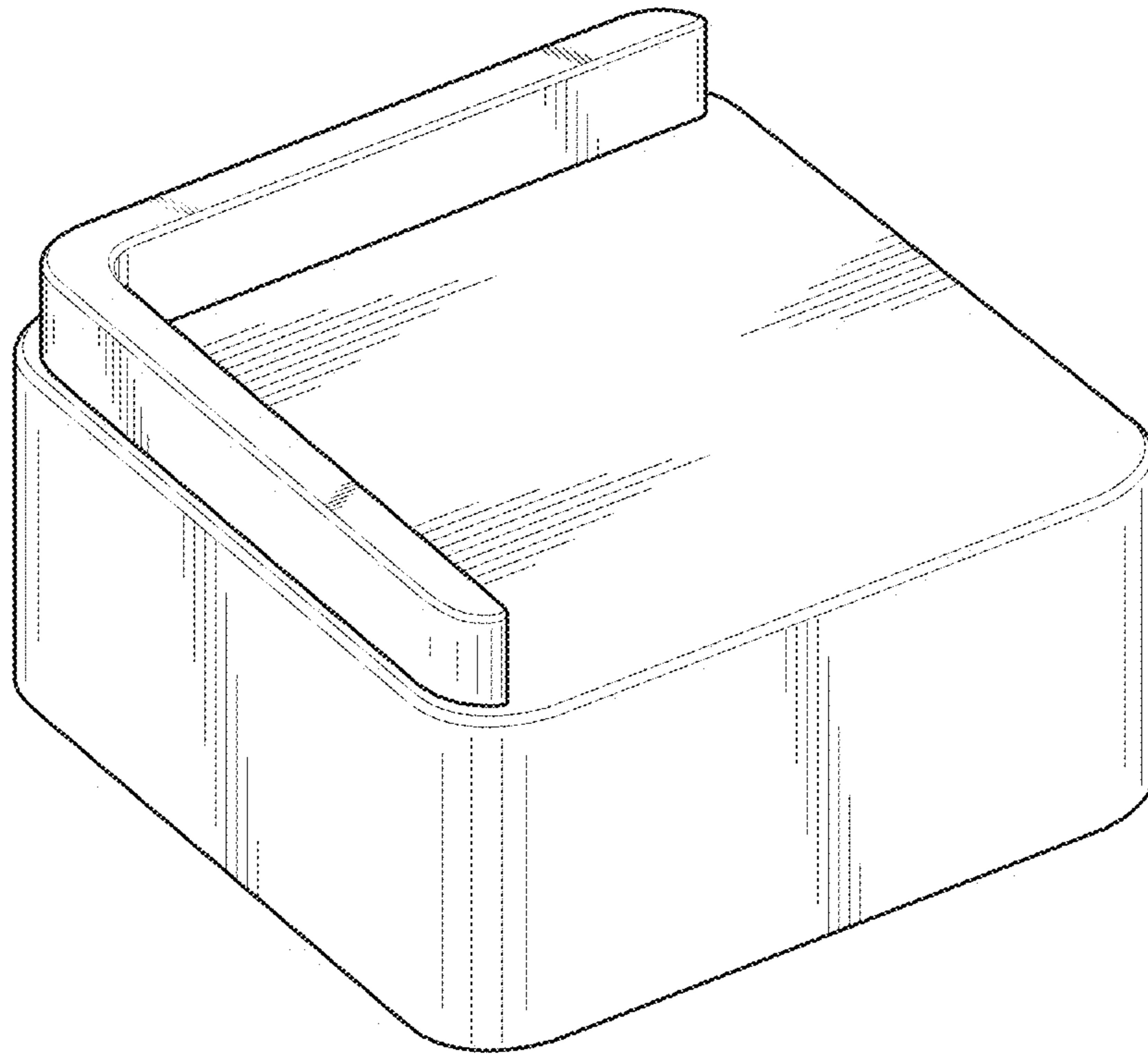


FIG. 1

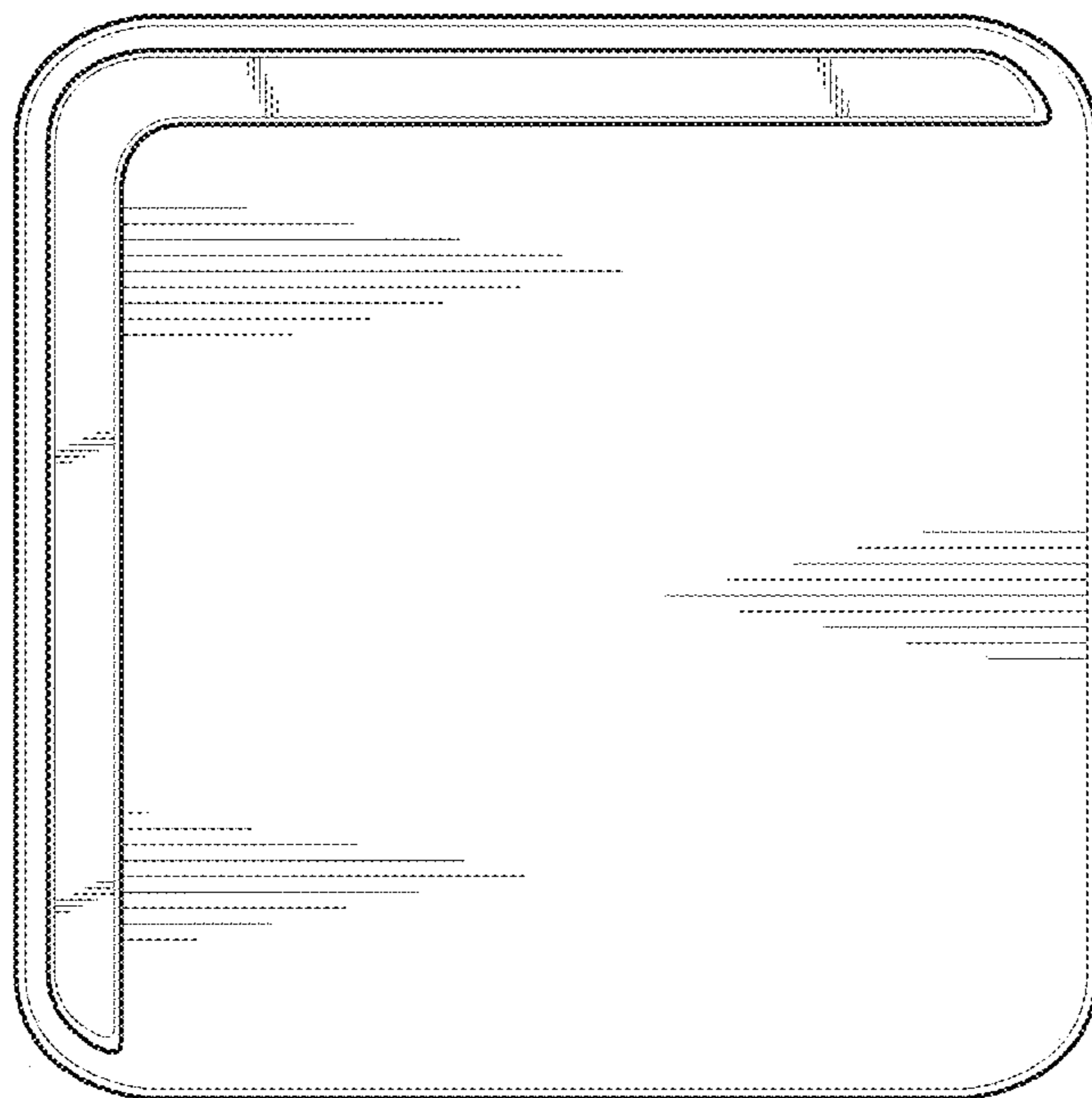


FIG. 2

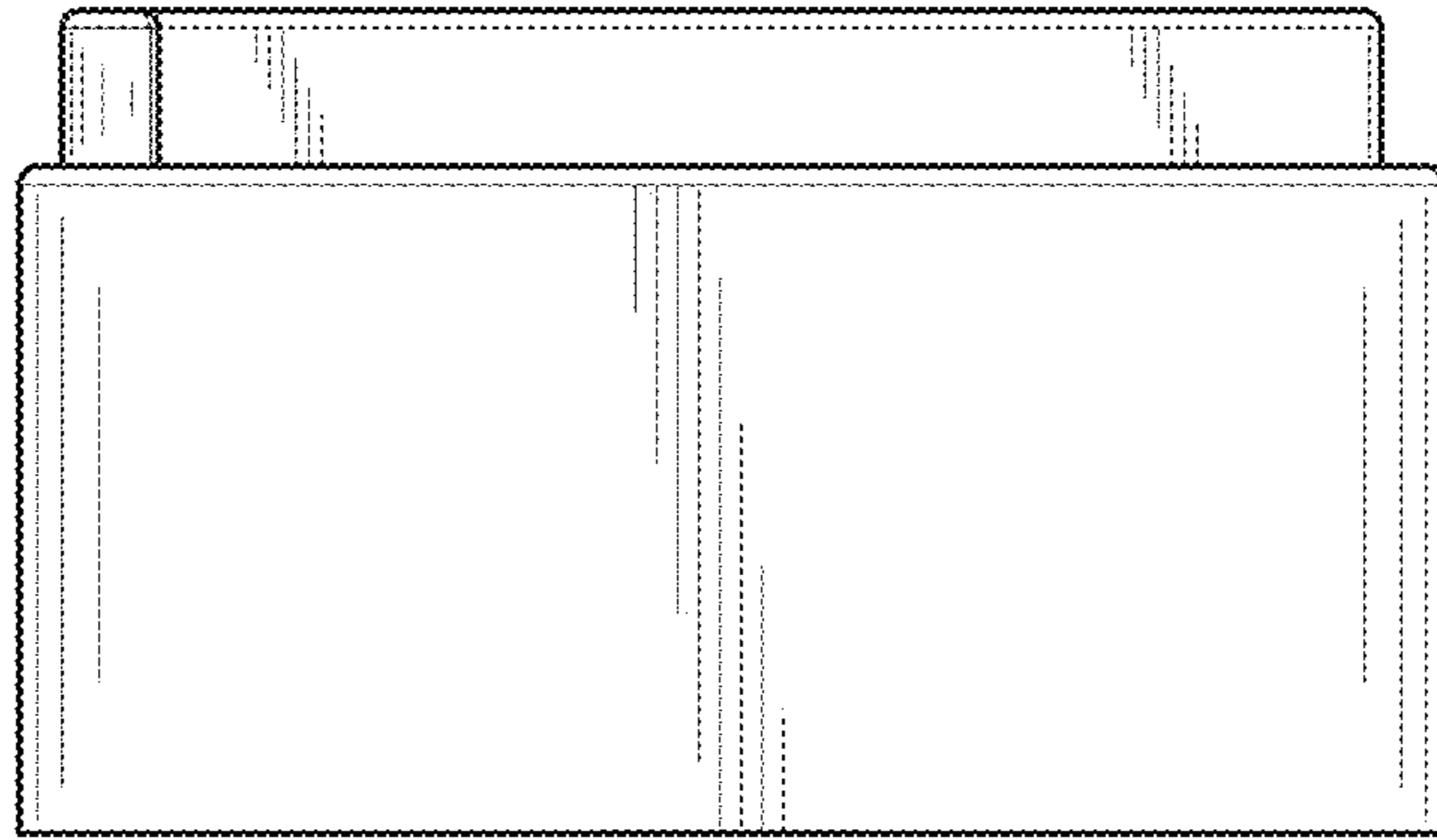


FIG. 3

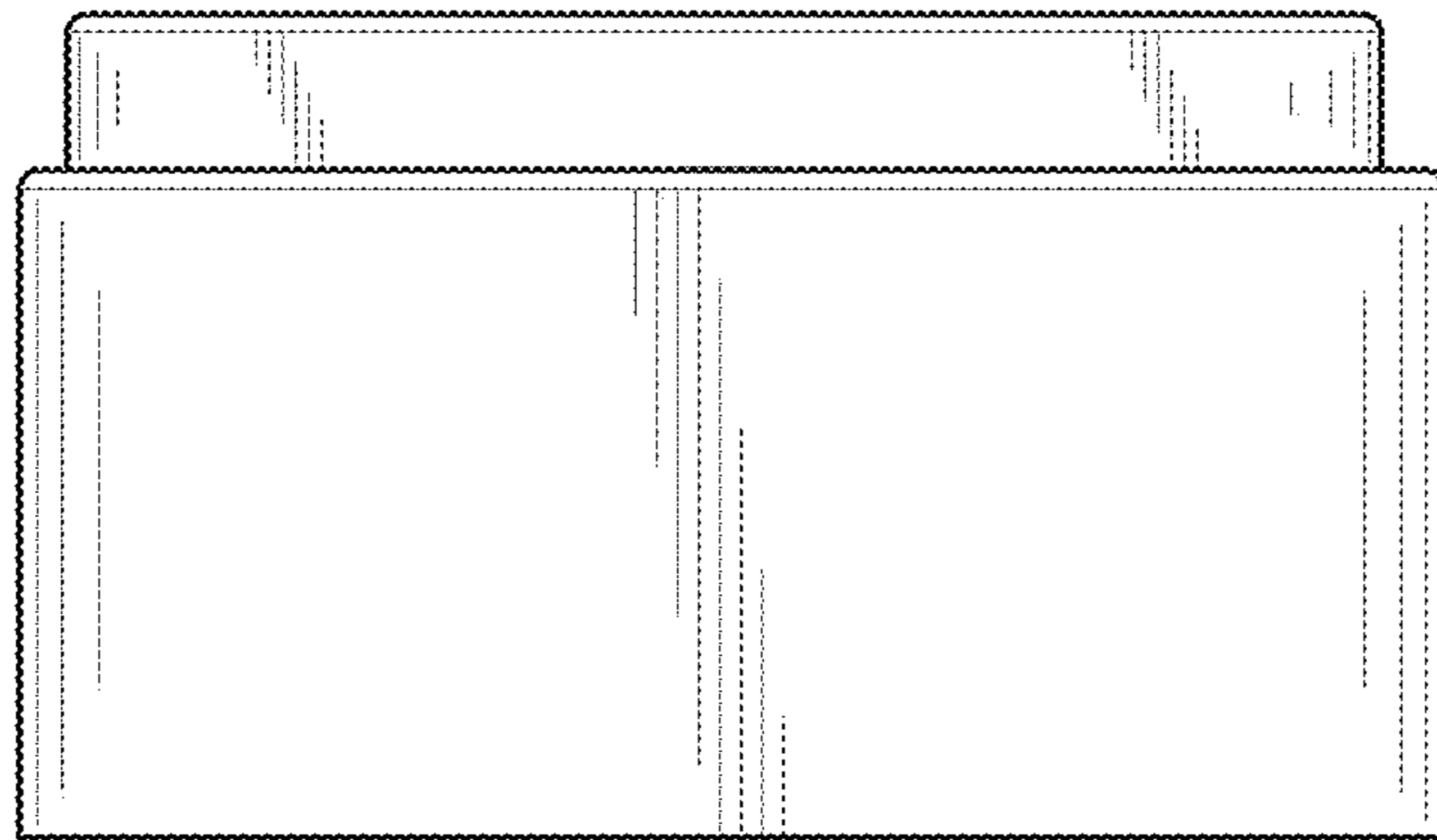


FIG. 4

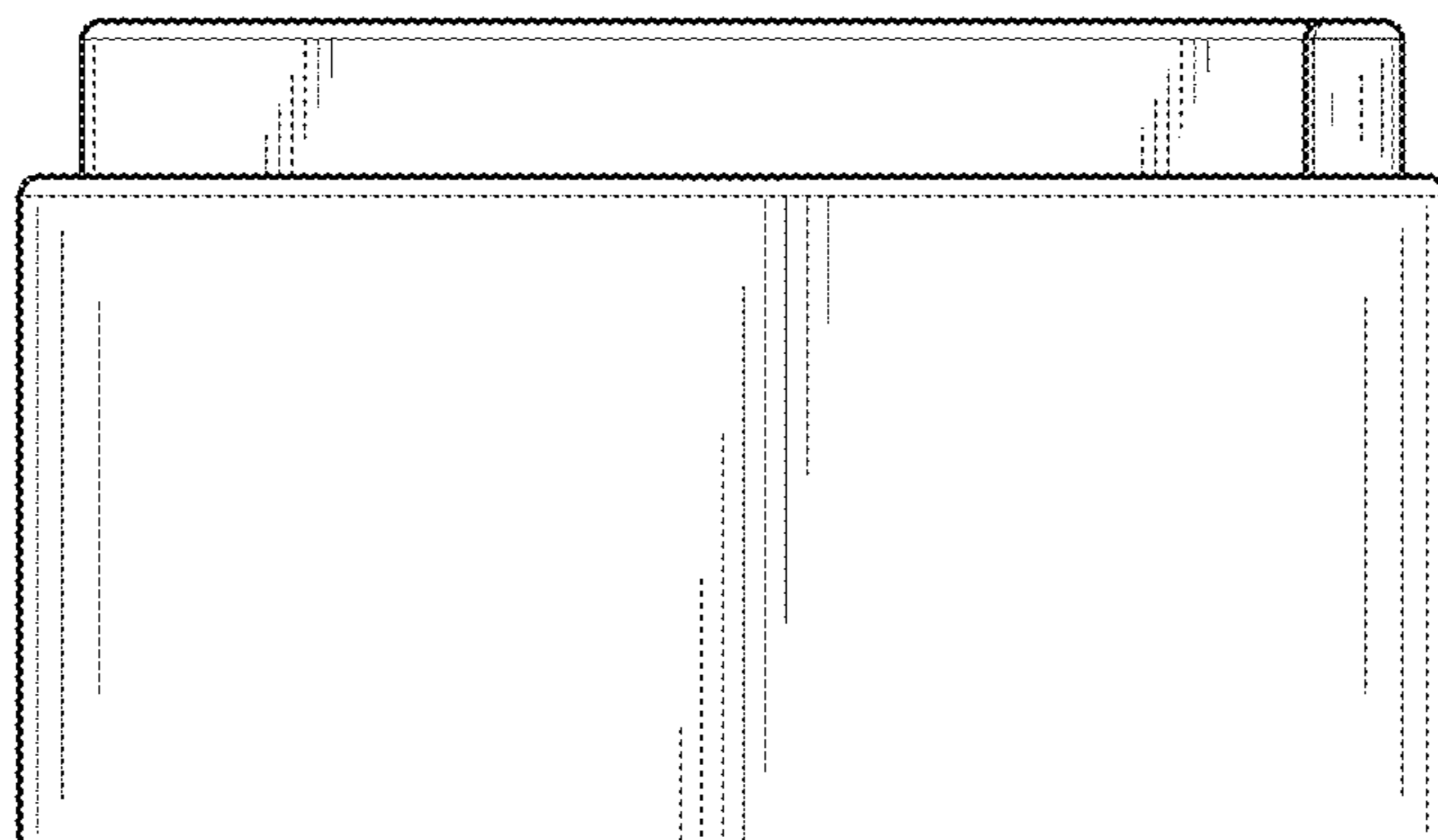


FIG. 5

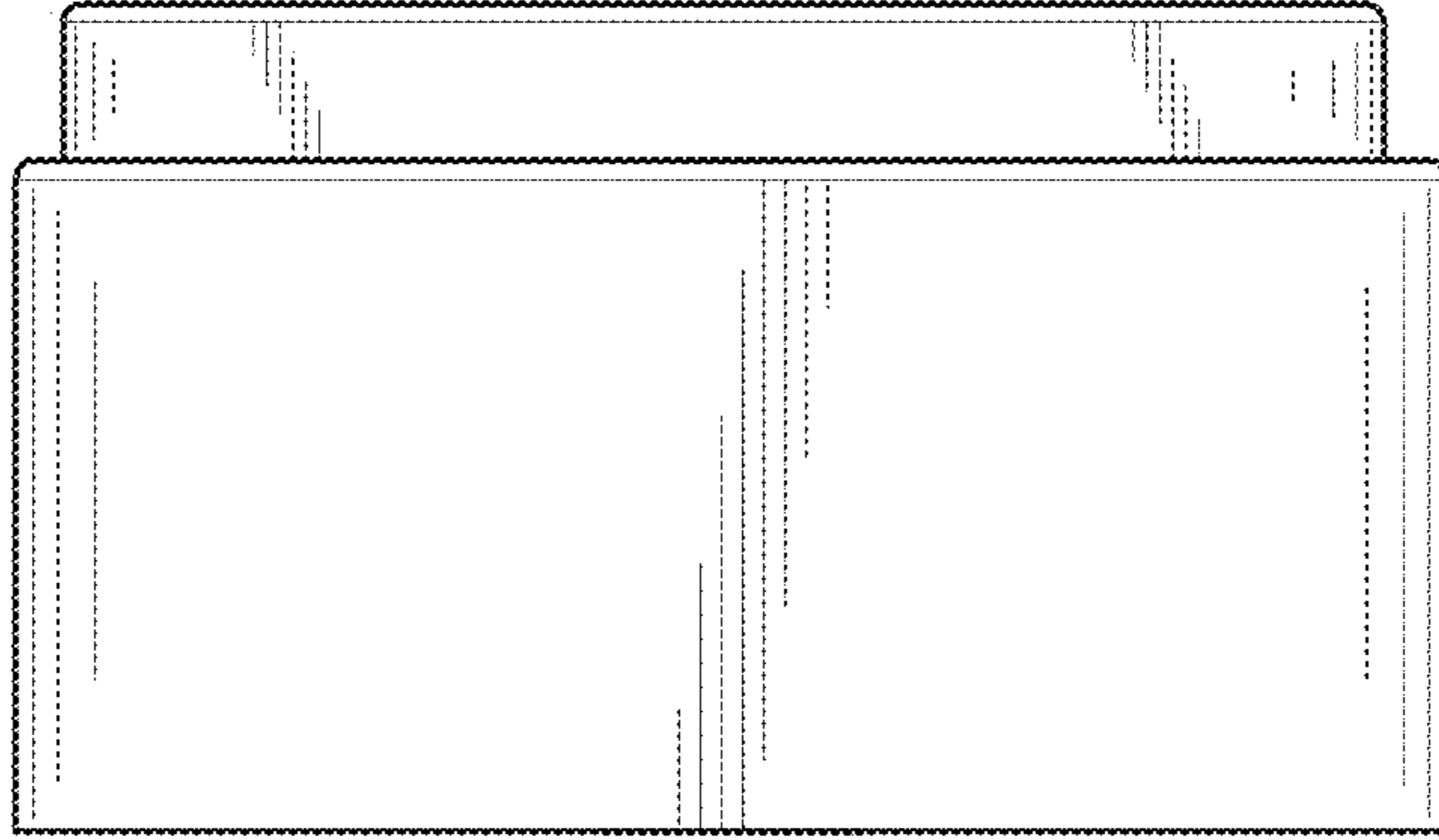


FIG. 6

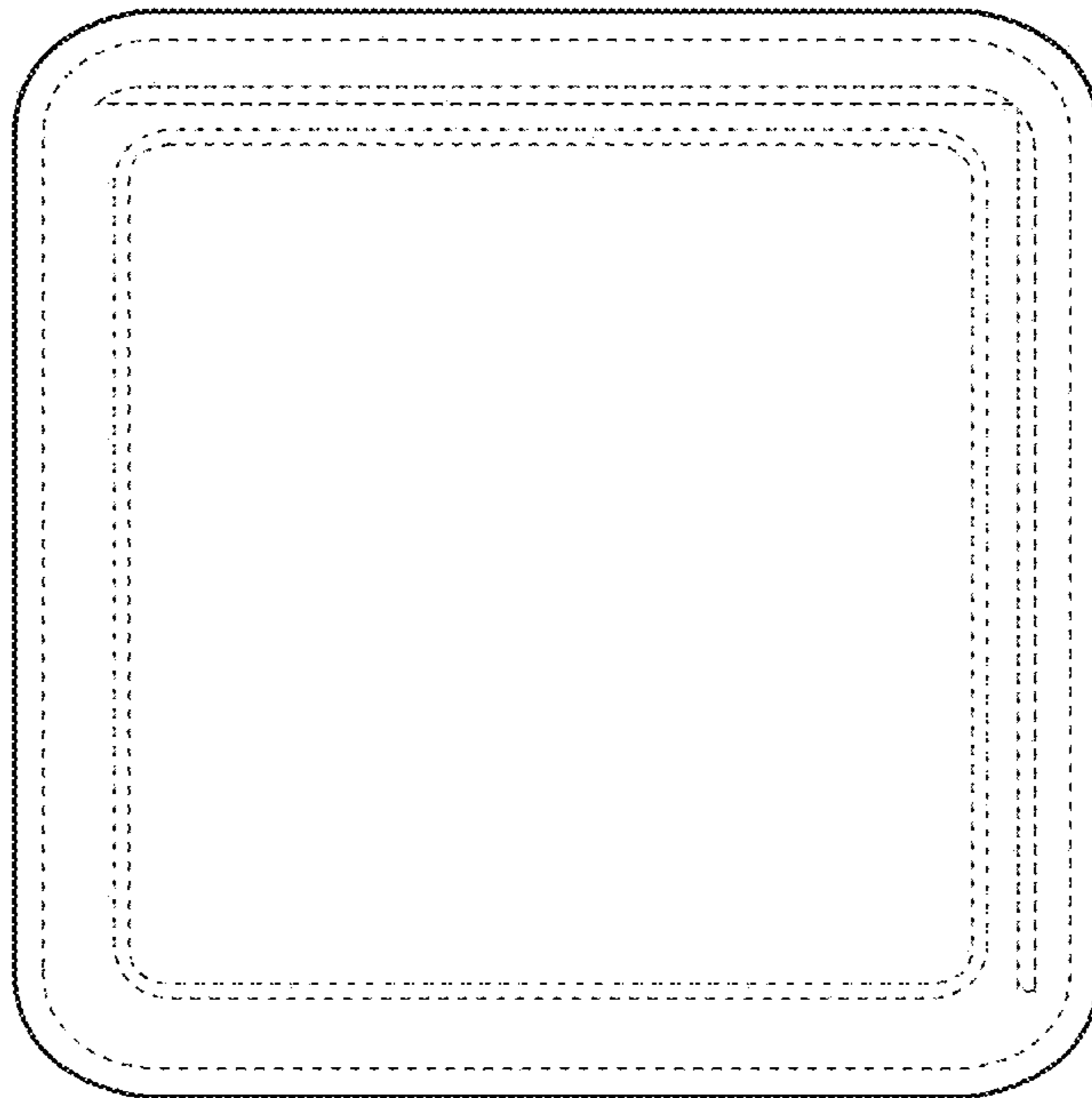


FIG. 7