



US00D923460S

(12) **United States Design Patent** (10) **Patent No.:** **US D923,460 S**
McNaughton (45) **Date of Patent:** **** Jun. 29, 2021**

(54) **360-DEGREE HINGED SUCTION CUP**

OTHER PUBLICATIONS

(71) Applicant: **Patrick J McNaughton**, Plymouth, MN (US)

Action Camera Car Mount Windshield Suction Cup, posted at tipeye.net, posting date not given, [online], [site visited Jun. 15, 2020]. Available from Internet, URL: <http://www.tipeye.net/product/suction-cup-mount/> (Year: 2020).*

(72) Inventor: **Patrick J McNaughton**, Plymouth, MN (US)

Orren Ellis Raf Power Suction Cup Mirror, posted at wayfair.com, posting date not given, [online], [site visited Jun. 15, 2020]. Available from Internet, URL: <https://www.wayfair.com/decor-pillows/pdx/orren-ellis-raf-led-lighted-zswivel-power-suction-cup-mirror-orne5263.html> (Year: 2020).*

(**) Term: **15 Years**

Togu HC58-L03-OG ABS Rubber Suction Cup, posted at amazon.com, posting date by Apr. 19, 2015, [online], [site visited Jun. 15, 2020]. Available from Internet, URL: <https://www.amazon.com/Togu-HC58-L03-OG-Thickness-Removable-Reusable/dp/B073Z9J3YJ> (Year: 2020).*

(21) Appl. No.: **29/675,351**

(22) Filed: **Dec. 31, 2018**

(51) **LOC (13) Cl.** **08-05**

(52) **U.S. Cl.**
USPC **D8/354**

* cited by examiner

(58) **Field of Classification Search**
USPC D8/354
CPC A47B 45/00; F16B 2/005
See application file for complete search history.

Primary Examiner — George D. Kirschbaum
Assistant Examiner — Maria J. Edwards

(57) **CLAIM**

The ornamental design for a 360-degree hinged suction cup, as shown and described.

(56) **References Cited**

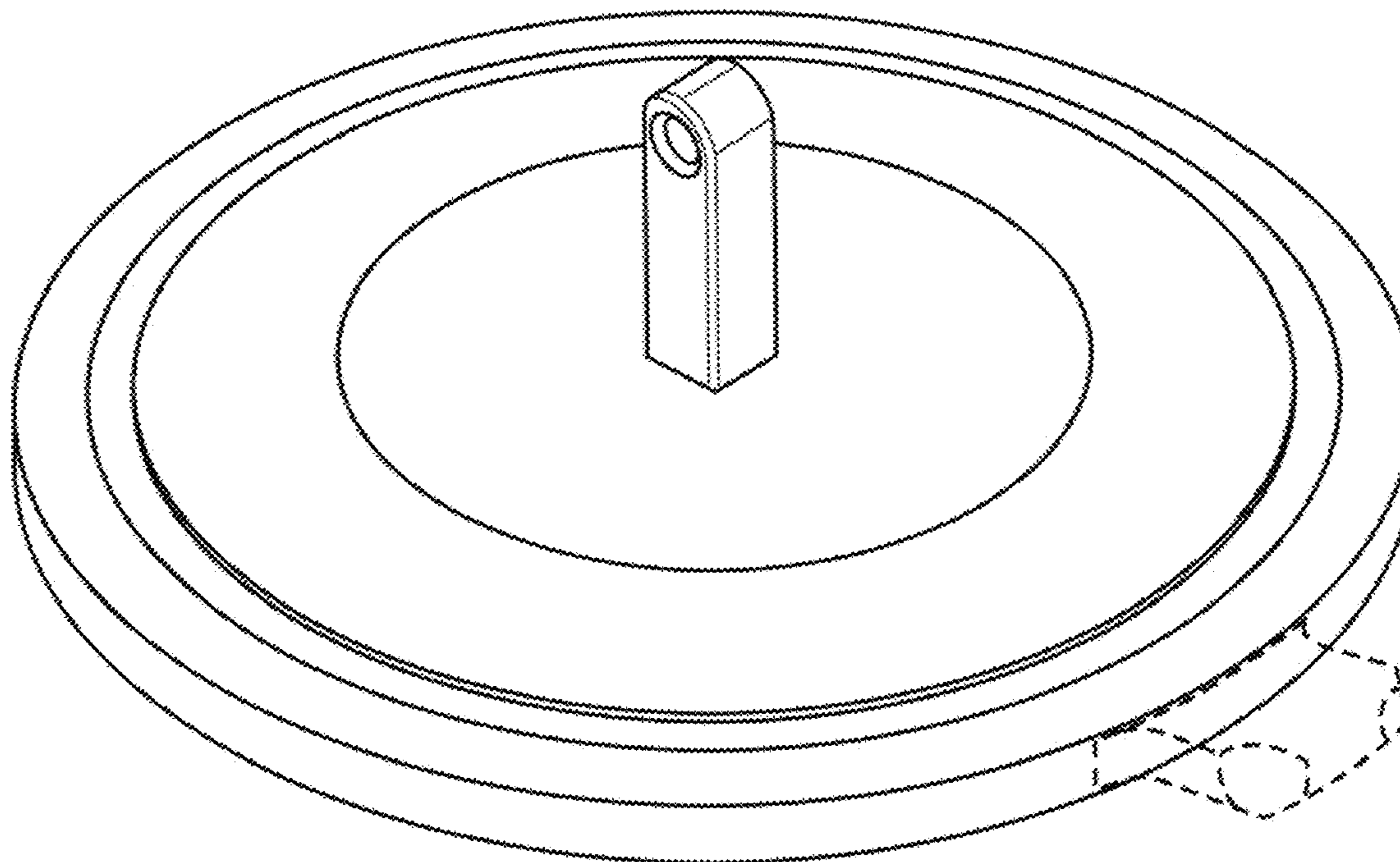
DESCRIPTION

U.S. PATENT DOCUMENTS

D340,181 S	*	10/1993	Adams	D8/354
D364,334 S	*	11/1995	Sandstrom	D25/133
D388,691 S	*	1/1998	Adams	D8/354
D391,837 S	*	3/1998	Adams	D8/354
D416,783 S	*	11/1999	Hampshire	D8/354
D436,517 S	*	1/2001	Barry	D8/354
D437,543 S	*	2/2001	Mudryk	D8/354
D714,126 S	*	9/2014	Pyon	D8/349
D820,992 S	*	6/2018	King	D24/200
D842,682 S	*	3/2019	Lee	D8/354
D853,824 S	*	7/2019	Kravchenko	D8/354
D855,442 S	*	8/2019	Won	D8/354
D866,297 S	*	11/2019	Sighinolfi	D8/354

FIG. 1 is a perspective upper and left side view of the 360 degree living hinge suction cup showing my new design; FIG. 2 is a Front view thereof; FIG. 3 is a Back view thereof; FIG. 4 is a Right side view, left side view is a mirror image thereof; FIG. 5 is a Section view of FIG. 4 taken at line "A" thereof; FIG. 6 is a Top side view, thereof; and, FIG. 7 is a Bottom Side view, thereof.

1 Claim, 4 Drawing Sheets



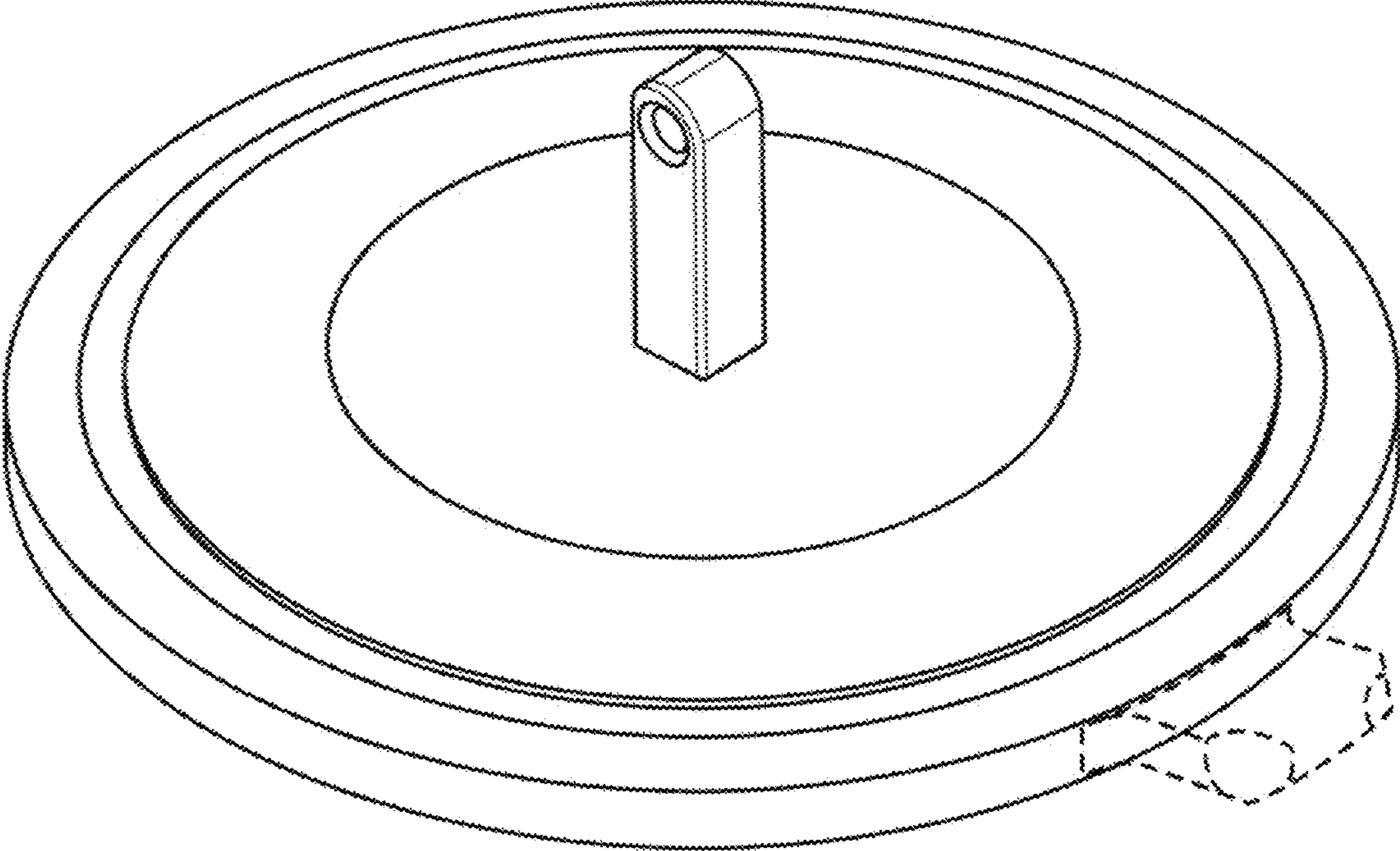


FIG. 1

FIG. 2

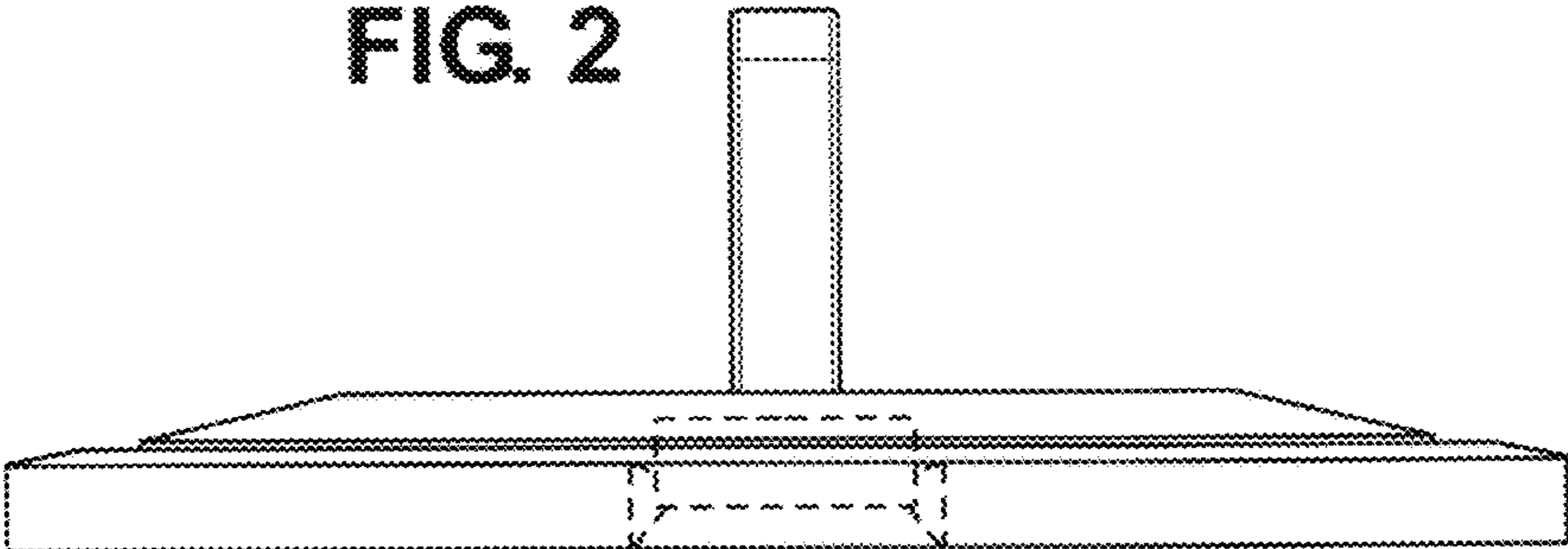
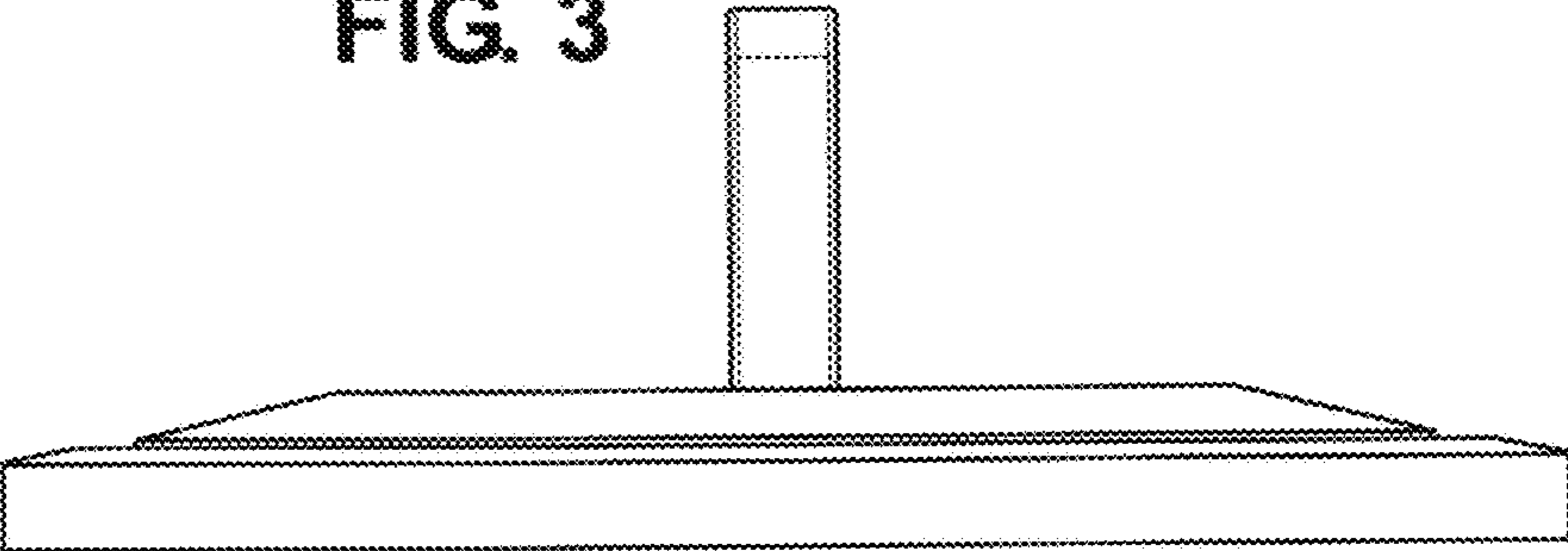
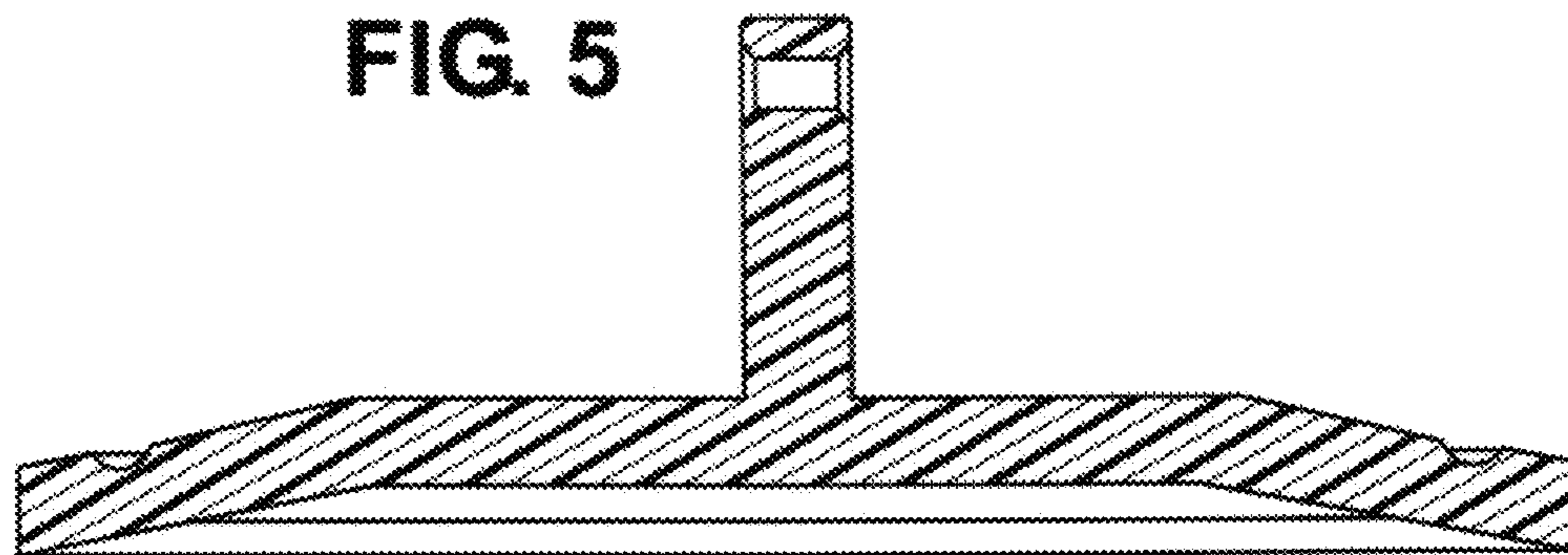
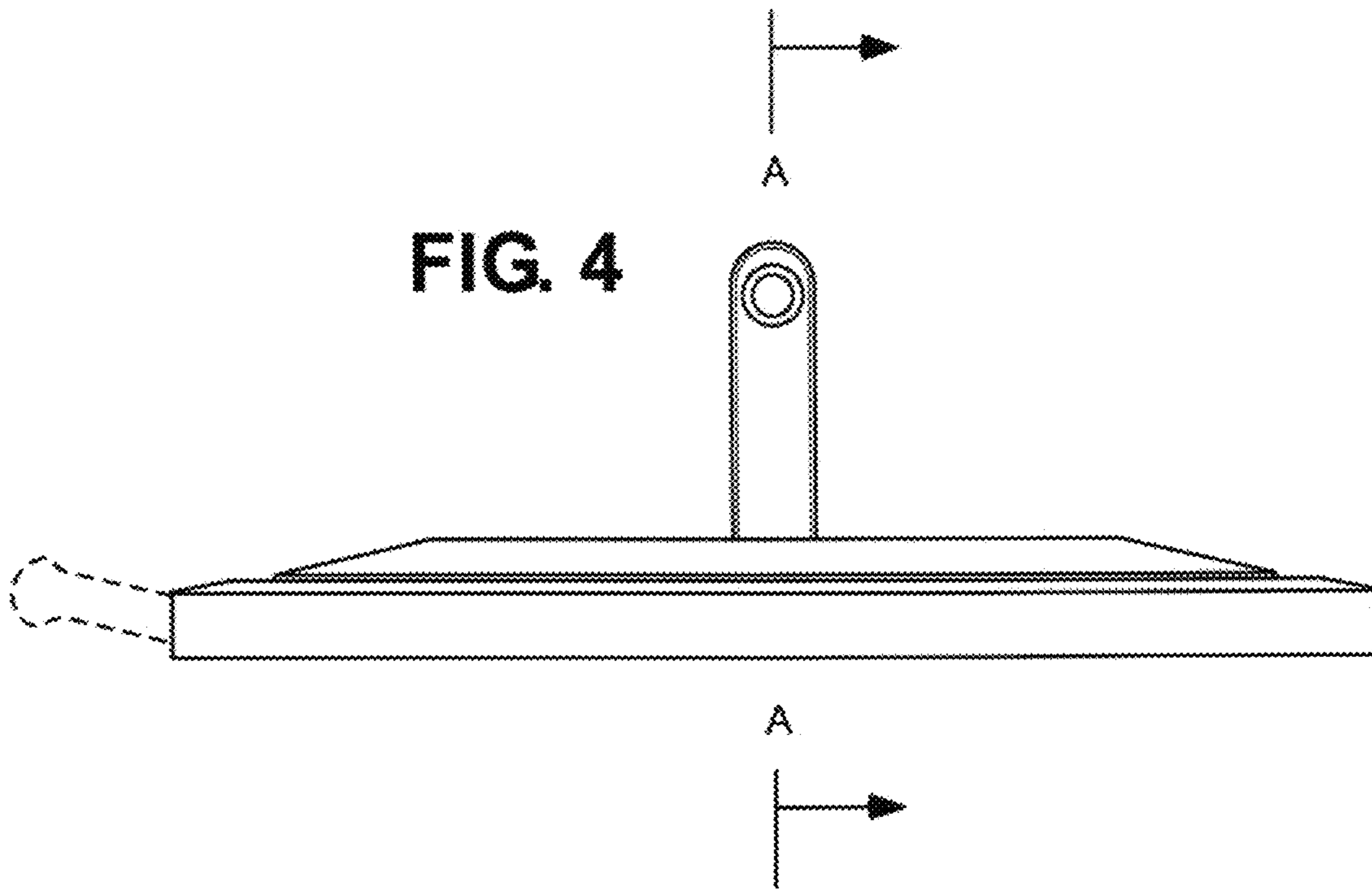


FIG. 3





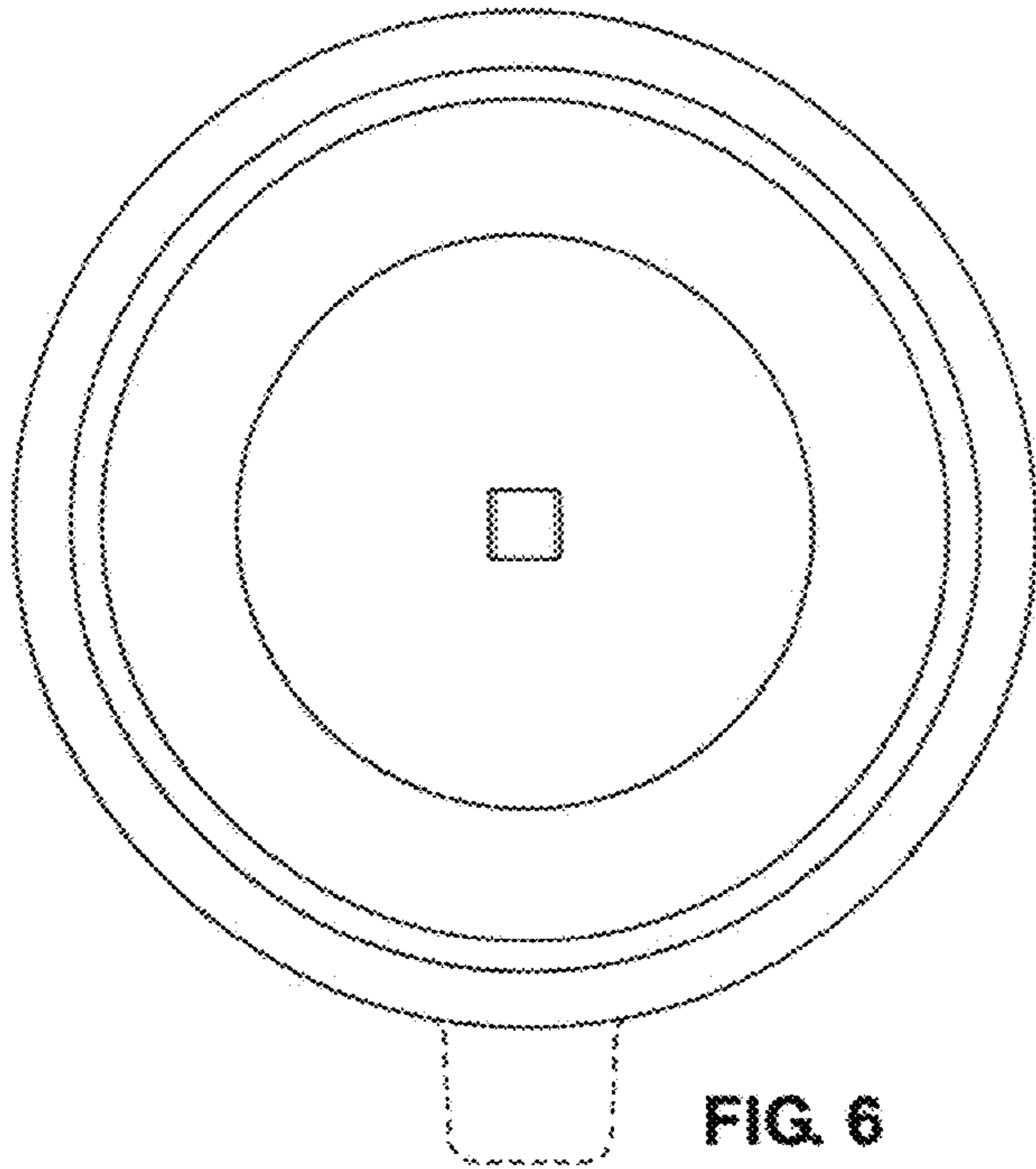


FIG. 6

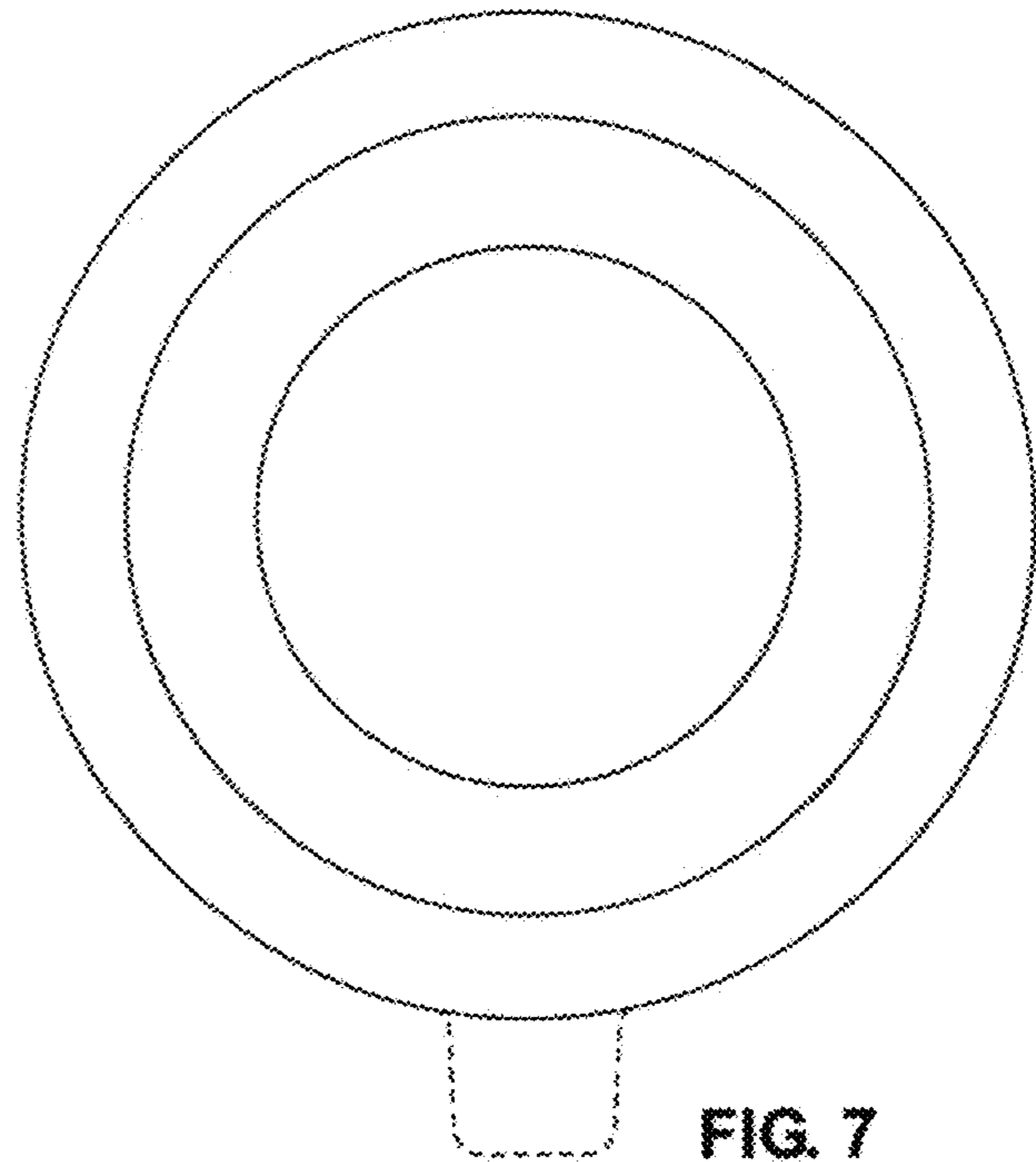


FIG. 7