



US00D923459S

(12) **United States Design Patent** (10) **Patent No.:** **US D923,459 S**
Chan (45) **Date of Patent:** **** Jun. 29, 2021**

(54) **MOTOR BRACKET OF SEWING MACHINE**
(71) Applicant: **H. S. MACHINERY CO., LTD.**, New Taipei (TW)
(72) Inventor: **Tzu Sang Chan**, New Taipei (TW)
(73) Assignee: **H. S. MACHINERY CO., LTD.**, New Taipei (TW)

D298,228 S 10/1988 Hoshino
D306,030 S 2/1990 Sawato et al.
D310,816 S 9/1990 Sawato et al.
(Continued)

FOREIGN PATENT DOCUMENTS

CN 101359852 A 2/2009
CN 201933294 U 8/2011
(Continued)

(**) Term: **15 Years**
(21) Appl. No.: **29/657,581**
(22) Filed: **Jul. 24, 2018**

OTHER PUBLICATIONS

USPTO Office Action in U.S. Appl. No. 29/657,575 dated Aug. 6, 2019.

Primary Examiner — Keli L Hill
Assistant Examiner — Harold E Blackwell, II
(74) *Attorney, Agent, or Firm* — Ware, Fressola, Maguire & Barber LLP

(30) **Foreign Application Priority Data**
Jan. 25, 2018 (TW) 107300484
(51) **LOC (13) Cl.** **08-05**
(52) **U.S. Cl.**
USPC **D8/354; D13/122**
(58) **Field of Classification Search**
USPC D8/354, 349, 353; D13/122, 112, 113,
D13/114, 199; D15/1, 3, 5, 28, 78, 123,
D15/199
CPC H02K 5/22; H02K 5/148; H02K 29/14
See application file for complete search history.

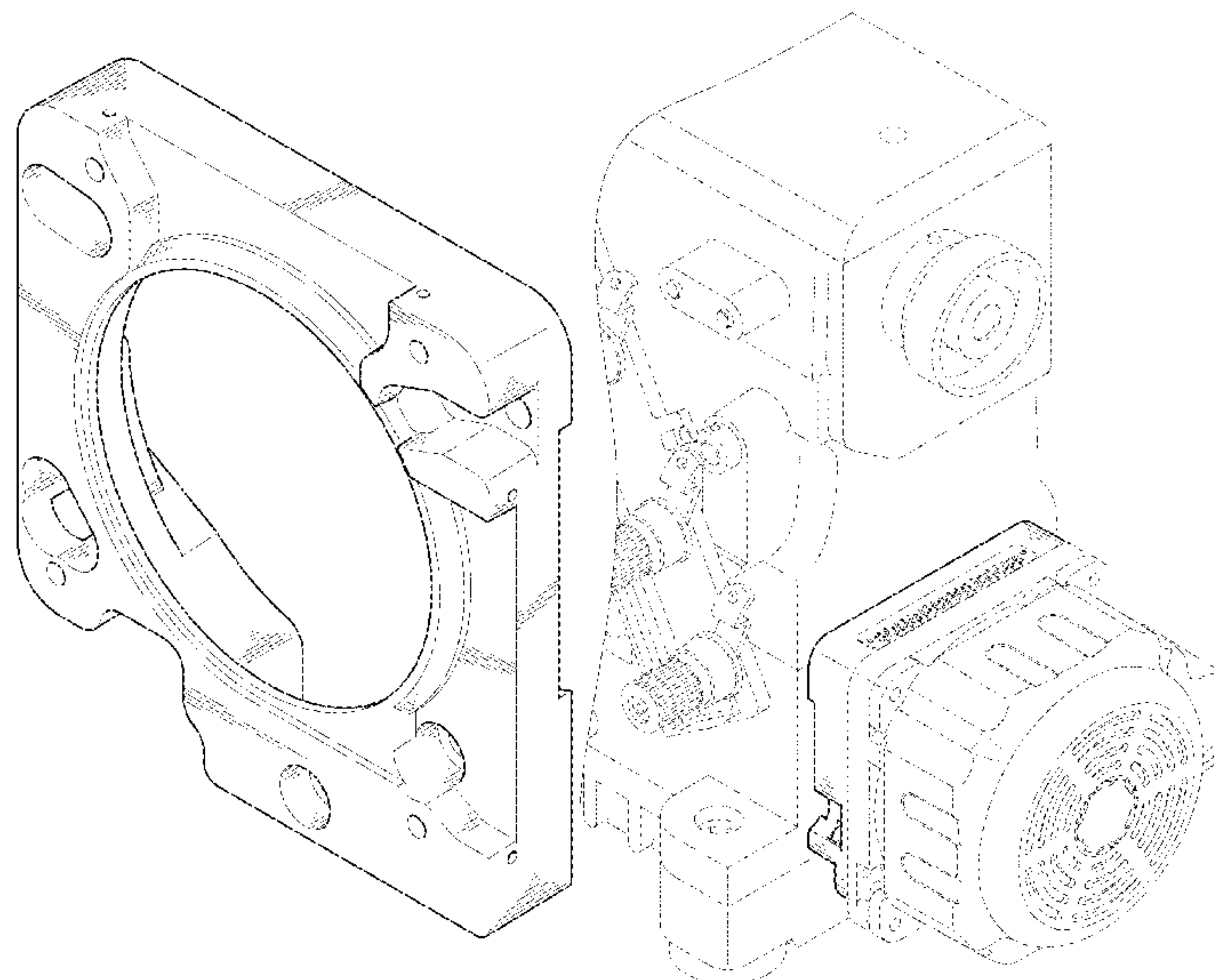
(57) **CLAIM**
The ornamental design for a motor bracket of sewing machine, as shown and described.

DESCRIPTION

FIG. 1 is a perspective view showing my new design for a motor bracket of sewing machine;
FIG. 2 is a front elevation view thereof;
FIG. 3 is a rear elevation view thereof;
FIG. 4 is a left side elevation view thereof;
FIG. 5 is a right side elevation view thereof;
FIG. 6 is a top plan view thereof;
FIG. 7 is a bottom plan view thereof;
FIG. 8 is a perspective view showing the device in another side; and,
FIG. 9 is another perspective view thereof showing the device in status of use.
The broken lines shown in the drawings are for the purpose of illustrating unclaimed environmental subject matter only and form no parts of the claimed design.

(56) **References Cited**
U.S. PATENT DOCUMENTS
1,492,879 A 5/1924 Erhardt
1,574,745 A 3/1926 Atnketell
1,643,191 A 9/1927 Welch
D174,491 S 4/1955 Cole et al.
2,936,727 A 5/1960 Ashworth et al.
D201,362 S 6/1965 Crouse et al.
3,563,196 A 2/1971 Nicolay
4,570,555 A 2/1986 Reinke et al.
4,707,643 A 11/1987 Rohr et al.
4,742,430 A * 5/1988 Sawato D05B 69/12
361/736

1 Claim, 9 Drawing Sheets



(56)

References Cited

U.S. PATENT DOCUMENTS

8,283,814 B2 * 10/2012 Liao H02K 41/0356
310/12.16
8,297,212 B2 10/2012 Tseng
D881,951 S * 4/2020 Chan D15/72
D887,359 S * 6/2020 McCoy, Jr. D13/122
D891,474 S * 7/2020 Chan D15/5
10,731,281 B2 * 8/2020 Chan D05B 71/00
10,811,935 B2 * 10/2020 Zhou H02P 3/12
D903,471 S * 12/2020 Deckelman D8/354
2016/0226335 A1 * 8/2016 Nicoloff F16M 13/02
2019/0226135 A1 * 7/2019 Chan D05B 71/00
2019/0229570 A1 * 7/2019 Chan H02K 7/085

FOREIGN PATENT DOCUMENTS

CN 103132257 A 6/2013
CN 105839309 A 8/2016

* cited by examiner

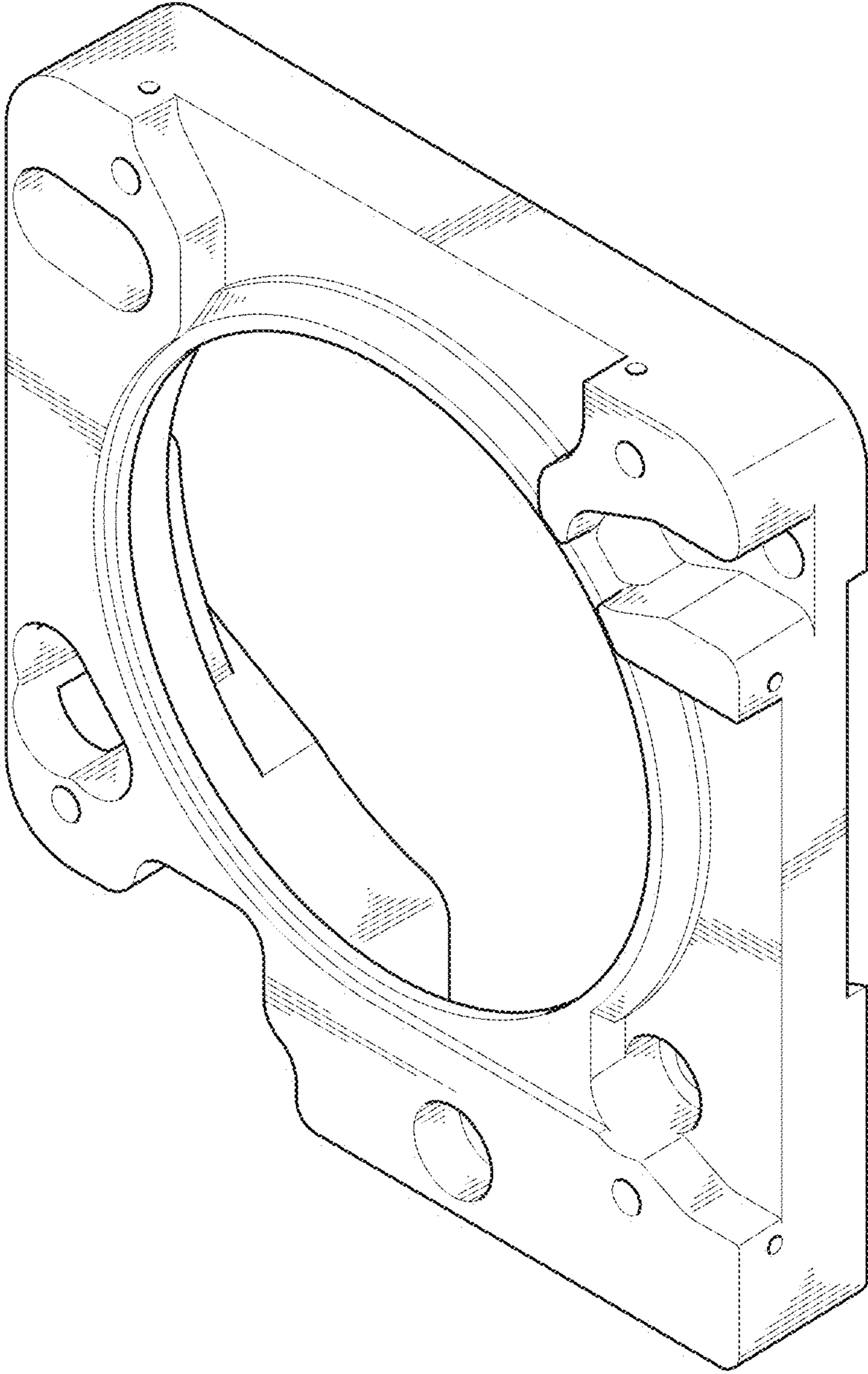


FIG. 1

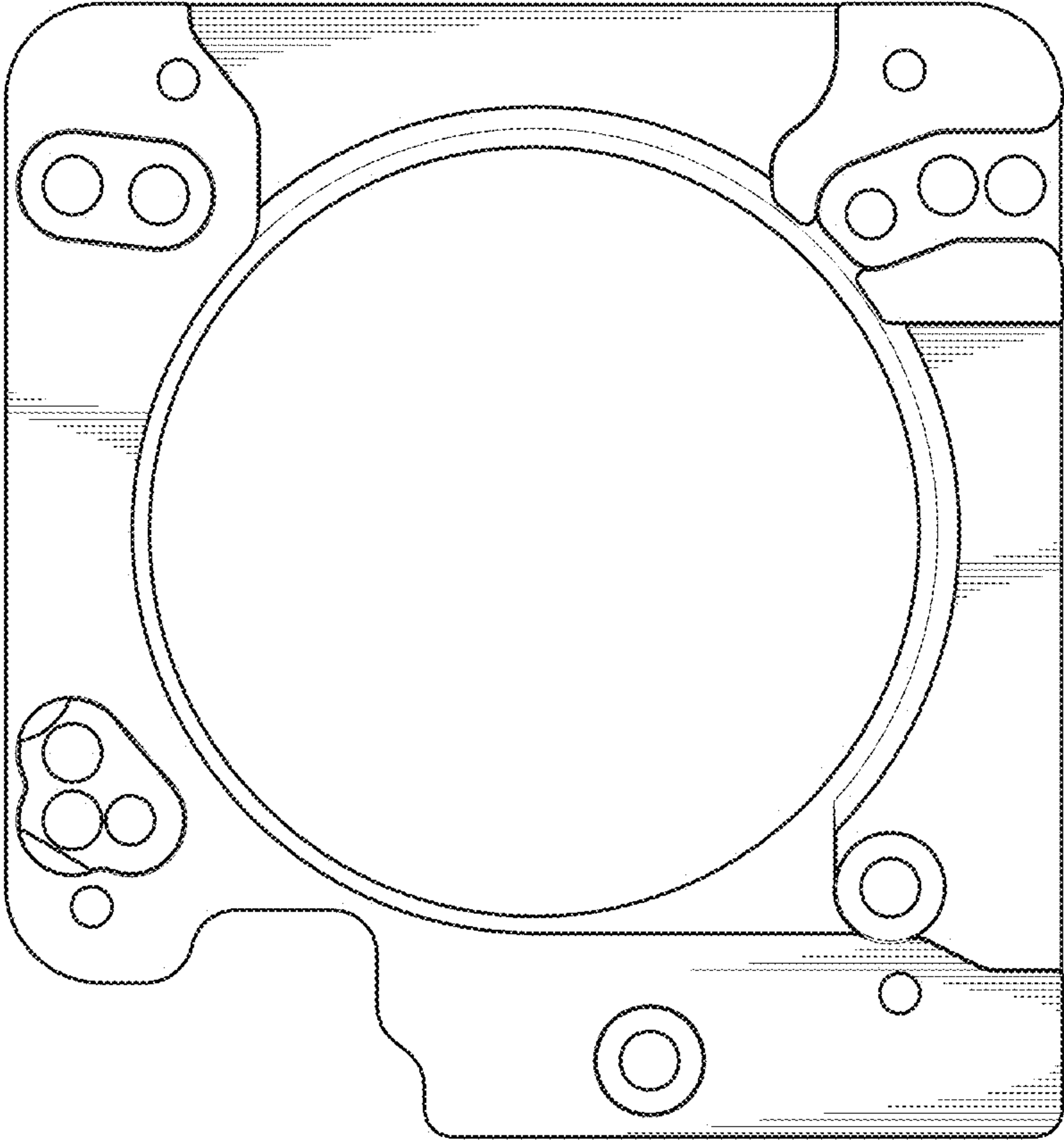


FIG. 2

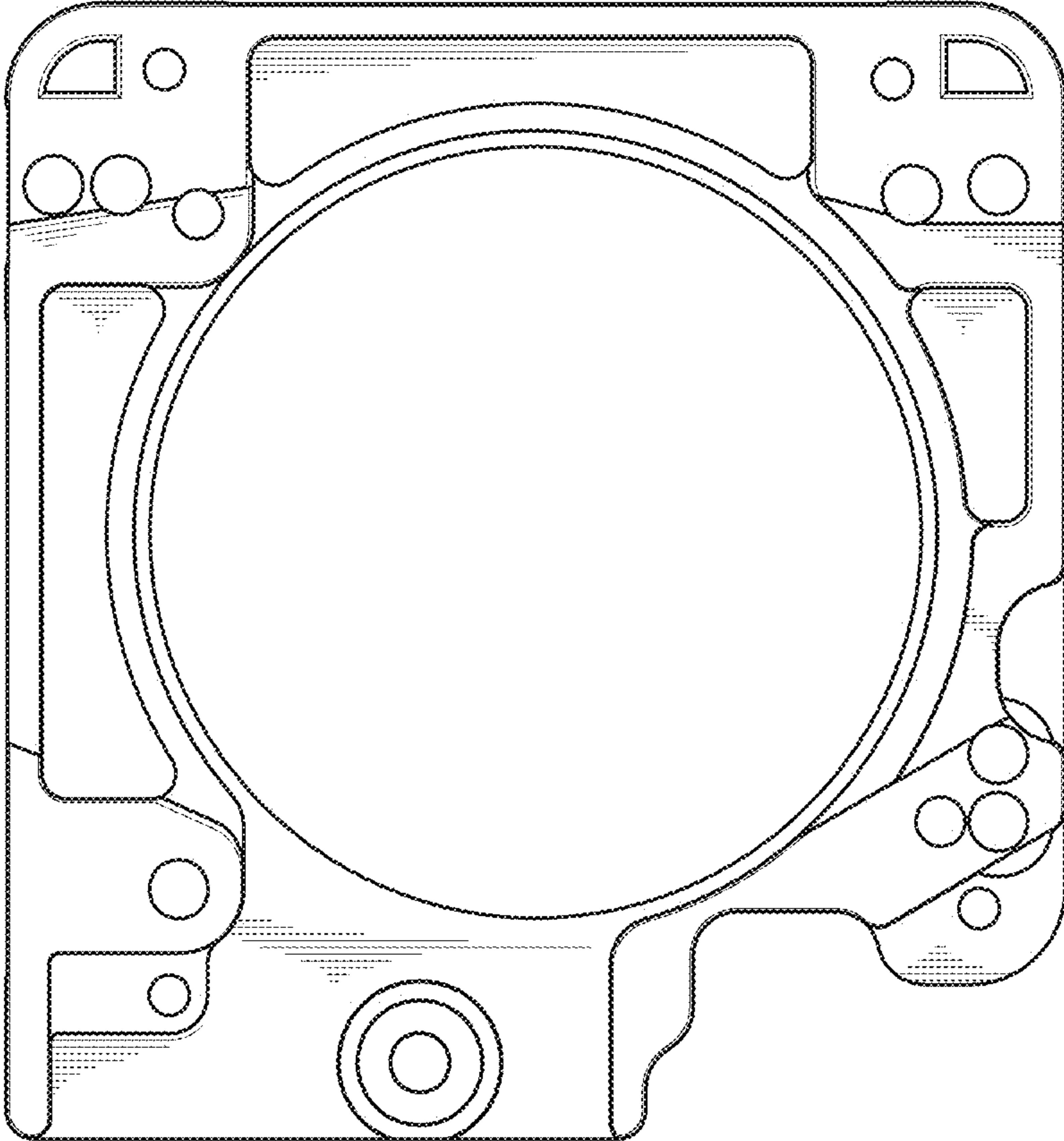


FIG. 3

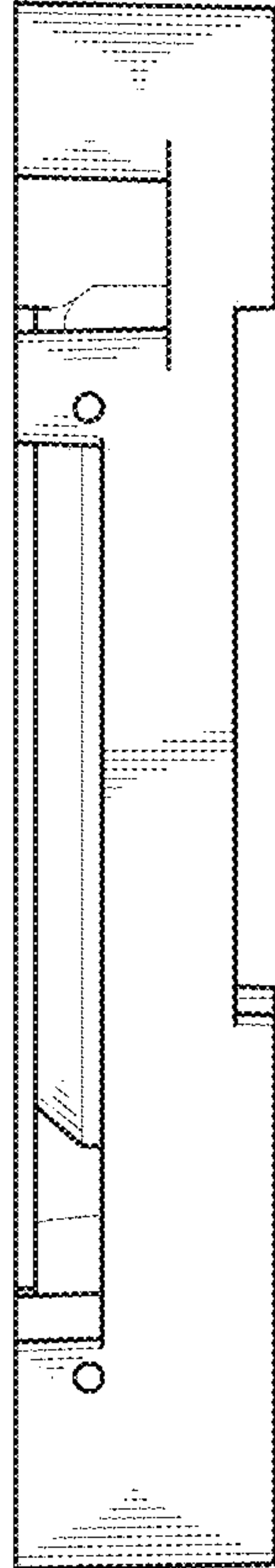


FIG. 5

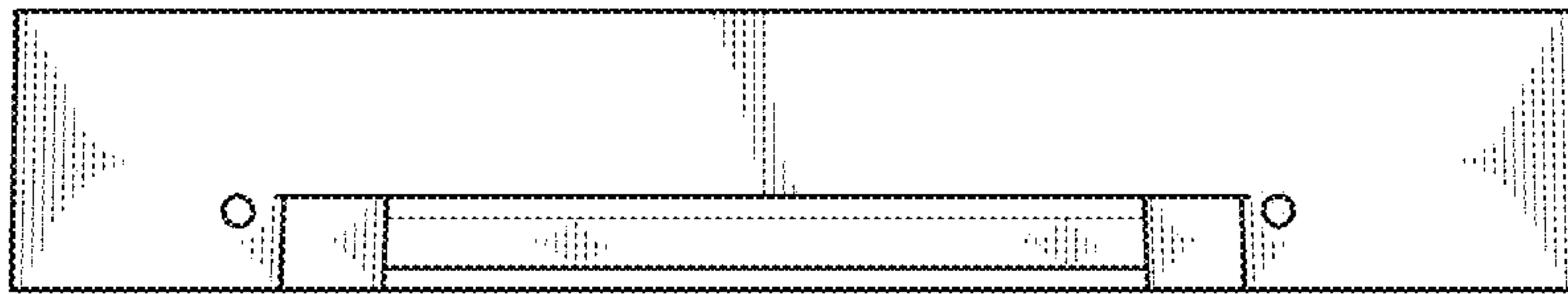


FIG. 6

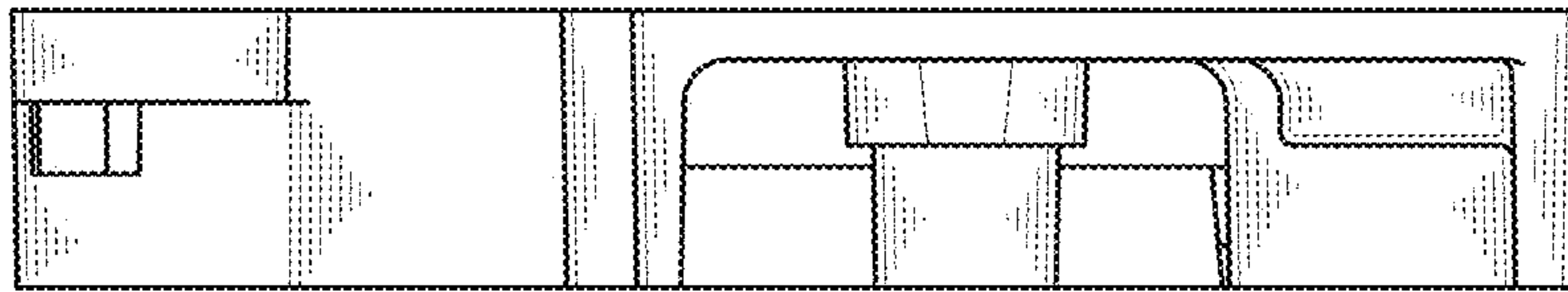


FIG. 7

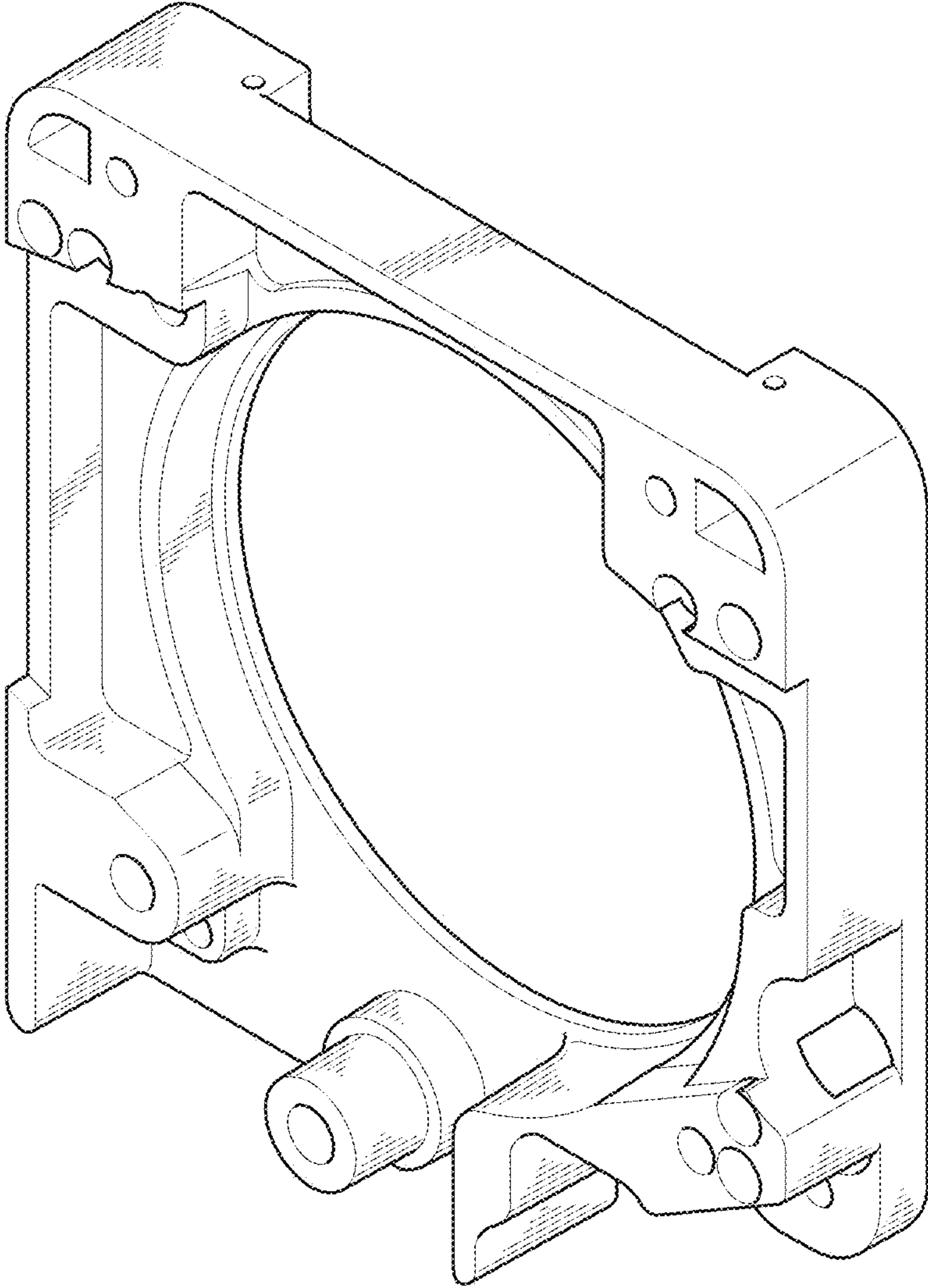


FIG. 8

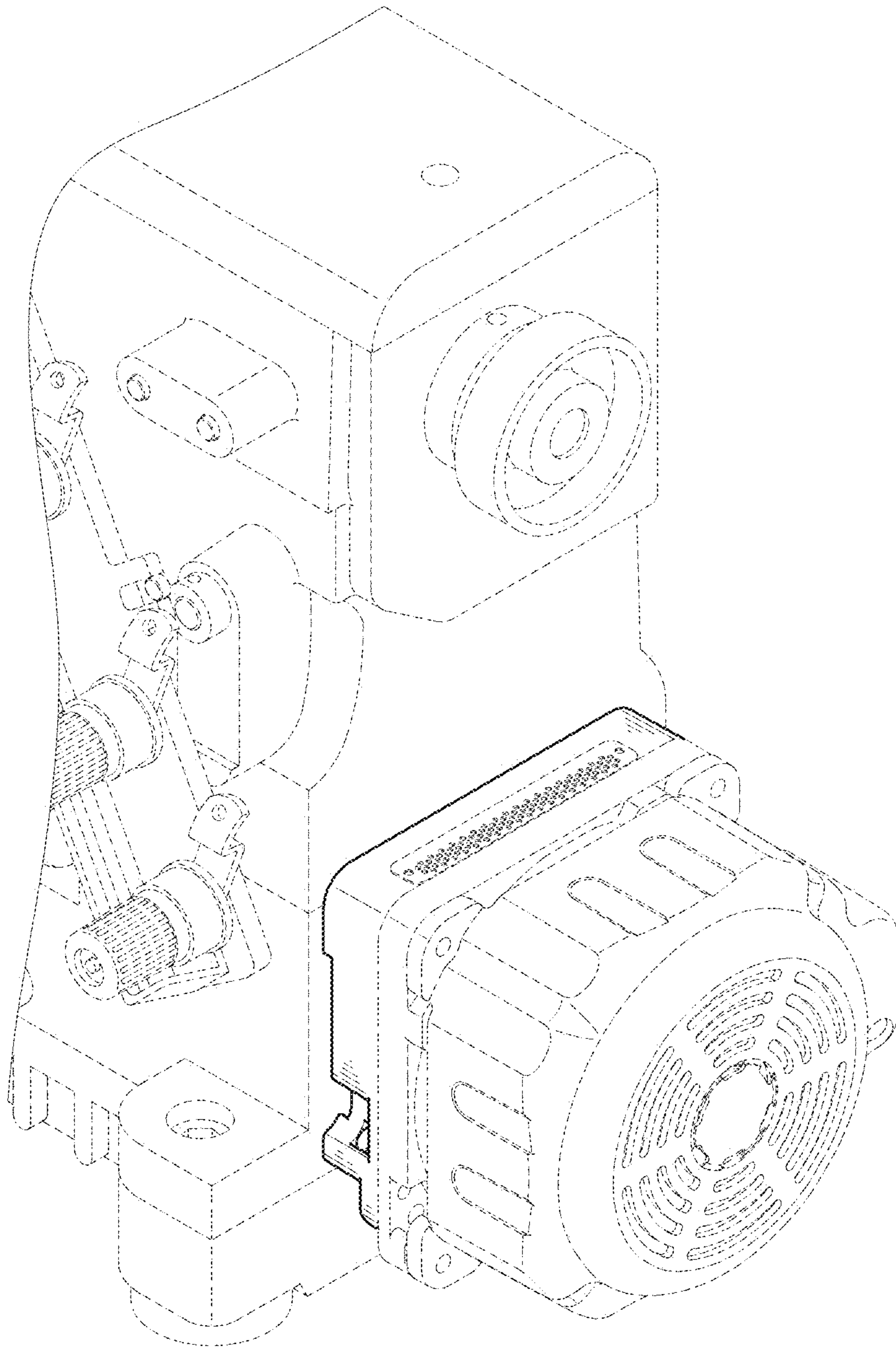


FIG. 9