



US00D923457S

(12) **United States Design Patent** (10) **Patent No.:** **US D923,457 S**
Nijdam et al. (45) **Date of Patent:** **** Jun. 29, 2021**

(54) **SUPPORT ASSEMBLY**

(71) Applicant: **J. van Walraven Holding B.V.**,
Mijdrecht (NL)
(72) Inventors: **Frank Nijdam**, Zeewolde (NL); **Marek Juzak**, Mijdrecht (NL)
(73) Assignee: **J. Van Walraven Holding B.V.**,
Mijdrecht (NL)

(**) Term: **15 Years**

(21) Appl. No.: **29/717,848**

(22) Filed: **Dec. 19, 2019**

(30) **Foreign Application Priority Data**

Jun. 25, 2019 (EM) 006592838-0001

(51) **LOC (13) Cl.** **08-08**

(52) **U.S. Cl.**
USPC **D8/349**

(58) **Field of Classification Search**
USPC D8/349, 354, 364, 382, 394, 395;
D14/432-461

CPC G06F 1/1616; G06F 1/1626; G06F 1/1632;
H01M 10/44; F16M 11/10; H02J 7/0042;
H02J 7/00; H02J 7/0027; H02J 7/0044;
H02J 7/0045; H02J 7/355; H01R 31/065

See application file for complete search history.

(56) **References Cited**

U.S. PATENT DOCUMENTS

5,816,554 A * 10/1998 McCracken E04F 15/02458
248/346.01
6,015,139 A * 1/2000 Weber E04F 11/1812
256/65.14

D433,615 S * 11/2000 Neider D8/354
D435,430 S * 12/2000 Valentz D8/349
D443,499 S * 6/2001 Gretz D8/349
D463,250 S * 9/2002 Valentz D8/349
D466,393 S * 12/2002 Neider D8/354
D647,789 S * 11/2011 McGowan D8/399
D663,194 S * 7/2012 Obolewicz D8/382
D666,134 S * 8/2012 Patalak D12/223
D678,039 S * 3/2013 Psaila D8/354
9,554,649 B2 * 1/2017 Saich F24F 13/32
10,619,374 B1 * 4/2020 Wong E04H 12/2261

* cited by examiner

Primary Examiner — Mark A Goodwin

Assistant Examiner — Benjamin M Weeks

(74) *Attorney, Agent, or Firm* — Troutman Pepper
Hamilton Sanders LLP; Ryan A. Schneider

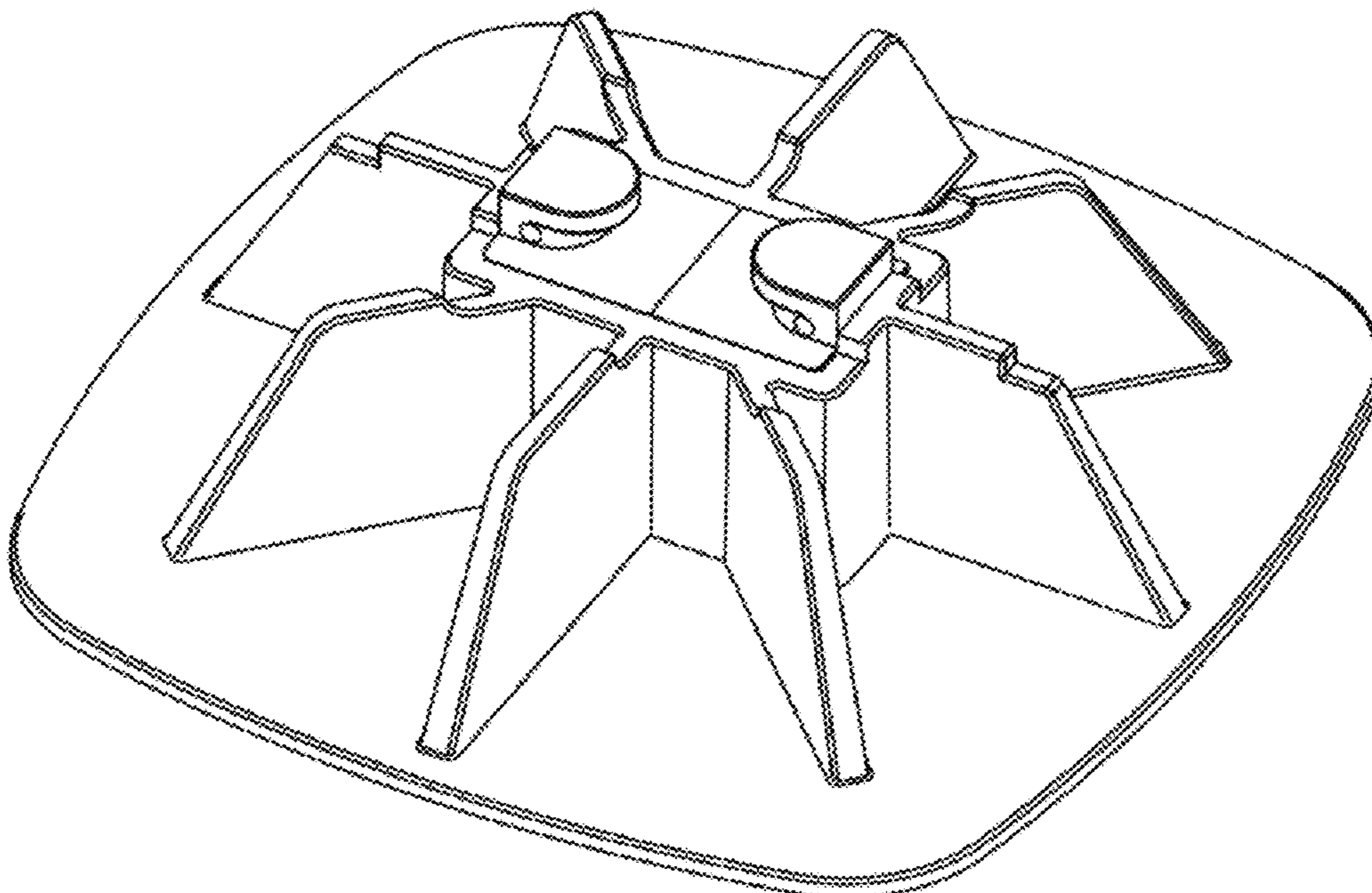
(57) **CLAIM**

The ornamental design for a support assembly, as shown and described.

DESCRIPTION

FIG. 1 is a perspective view of a support assembly showing our new design, the support assembly including a support foot and fully installed connectors; FIG. 2 is a top plan view thereof; and FIG. 3 is a bottom plan view thereof; FIG. 4 is a front elevation view thereof; FIG. 5 is a rear elevation view thereof; FIG. 6 is a side elevation view thereof; FIG. 7 is the other side elevation view thereof; and, FIG. 8 illustrates a rail element connected to the support assembly of FIG. 1, wherein the broken lines depict the rail element that forms no part of the claimed design.

1 Claim, 8 Drawing Sheets



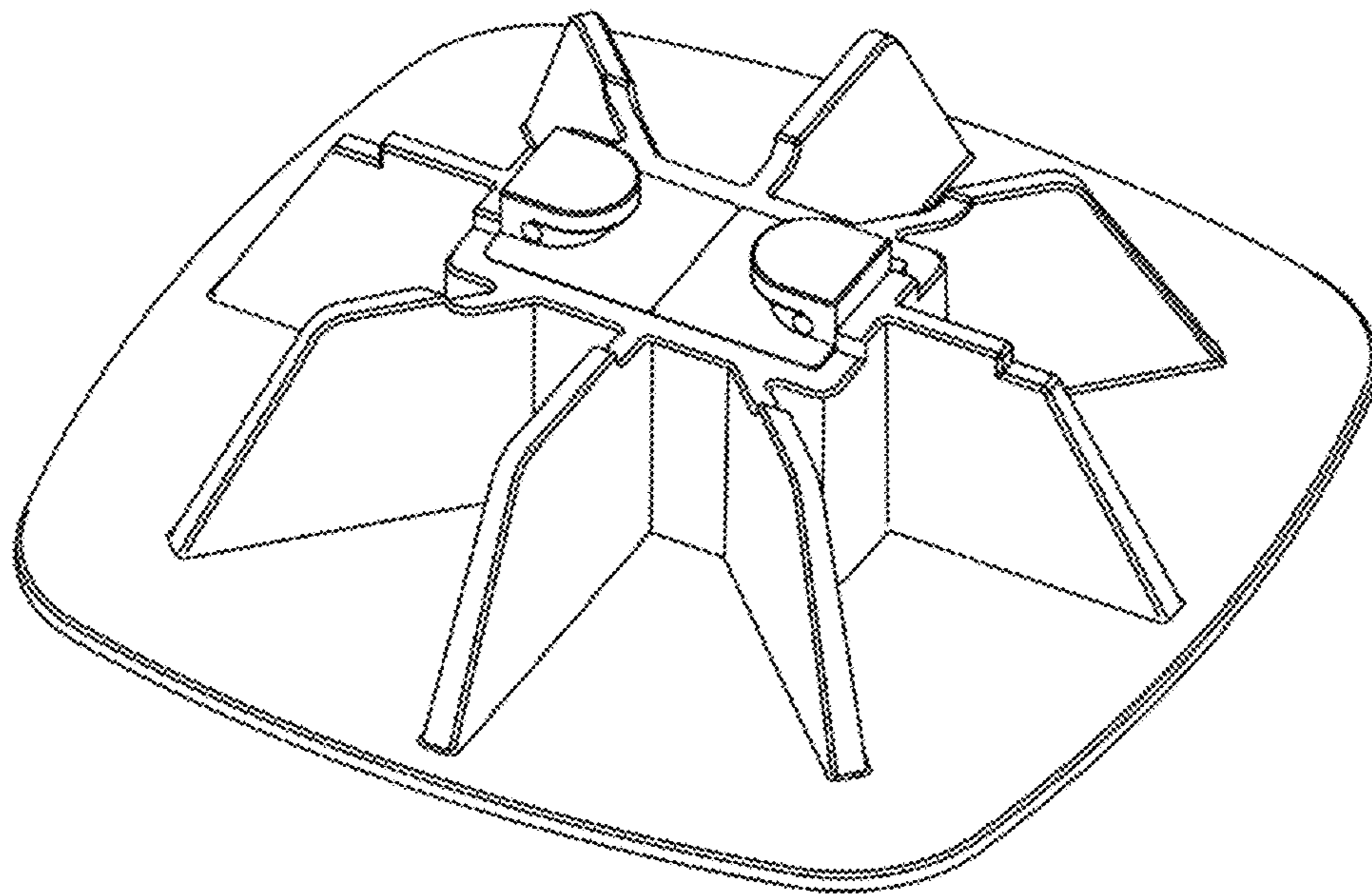


FIG. 1

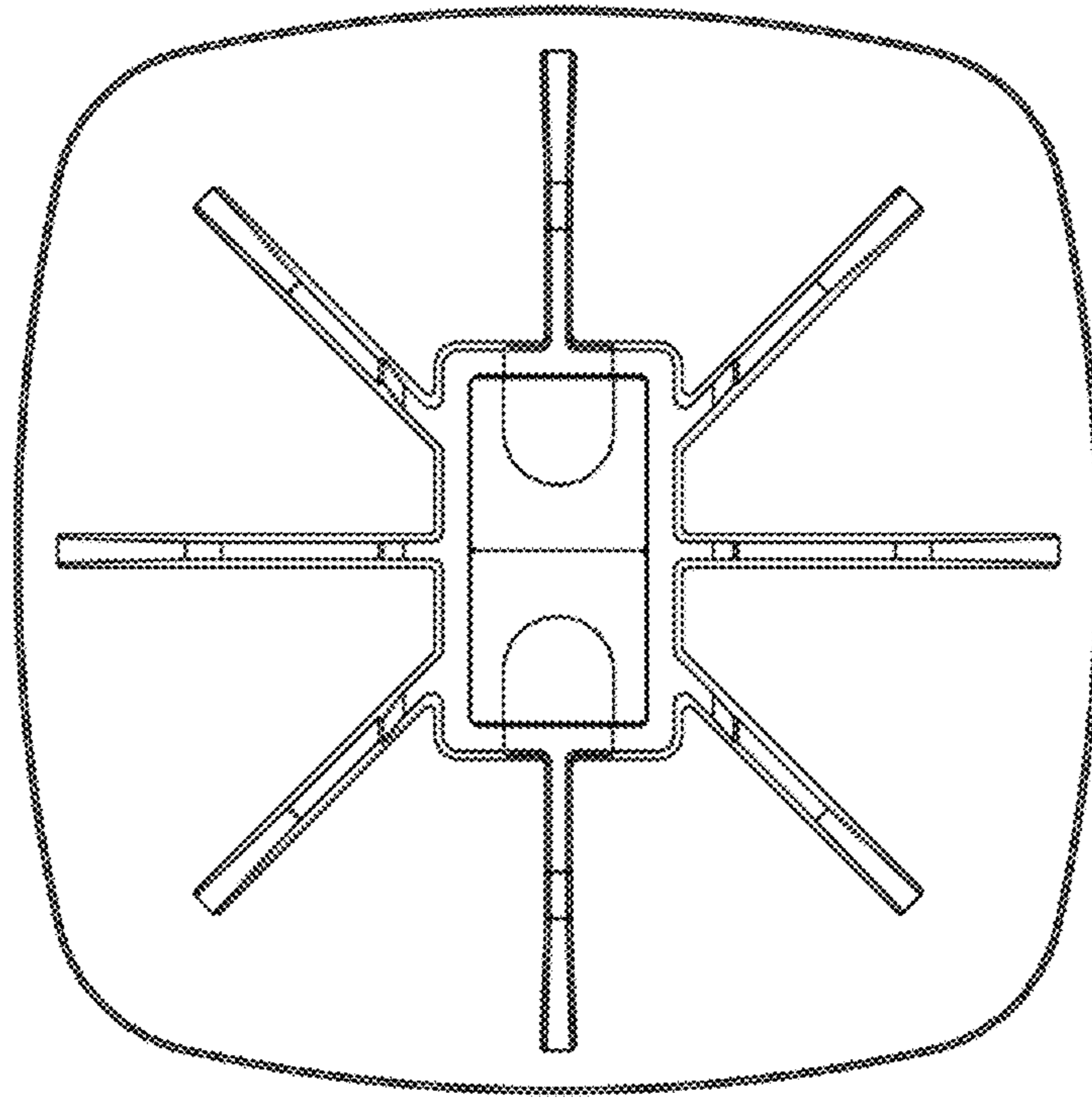


FIG. 2

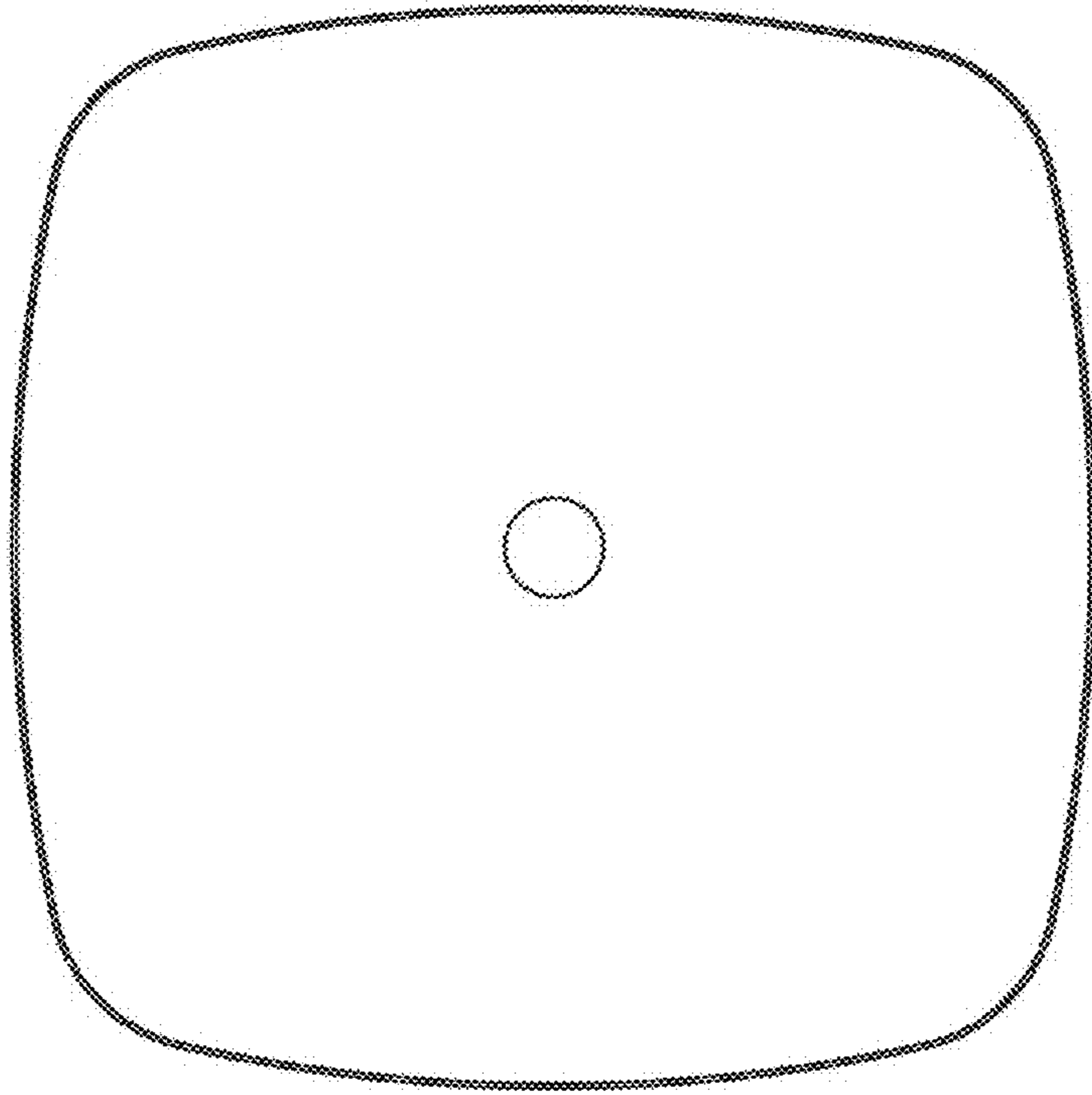


FIG. 3

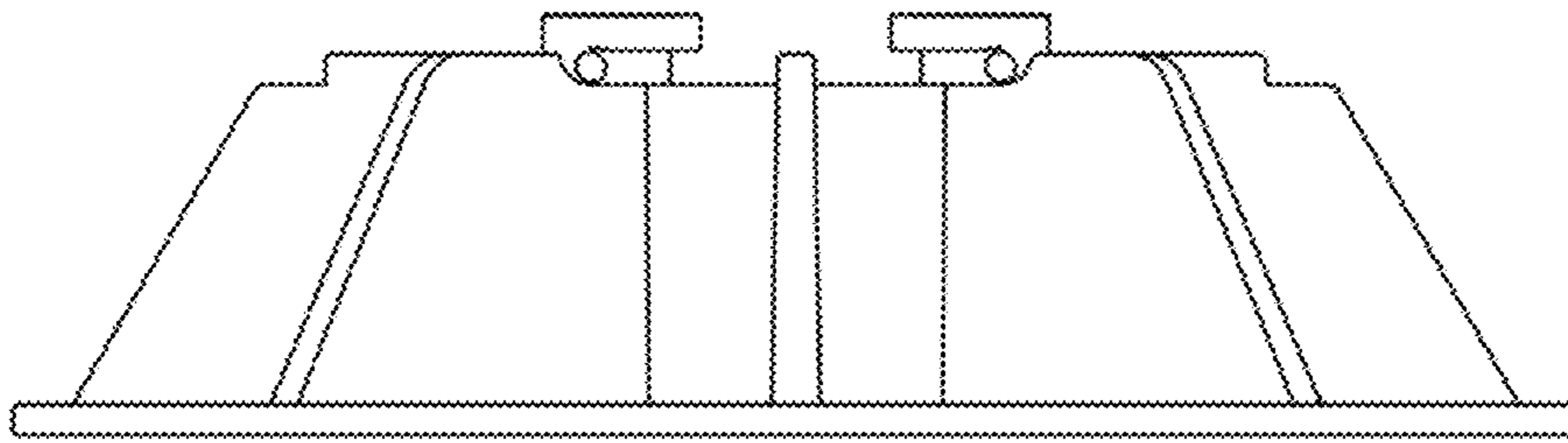


FIG. 4

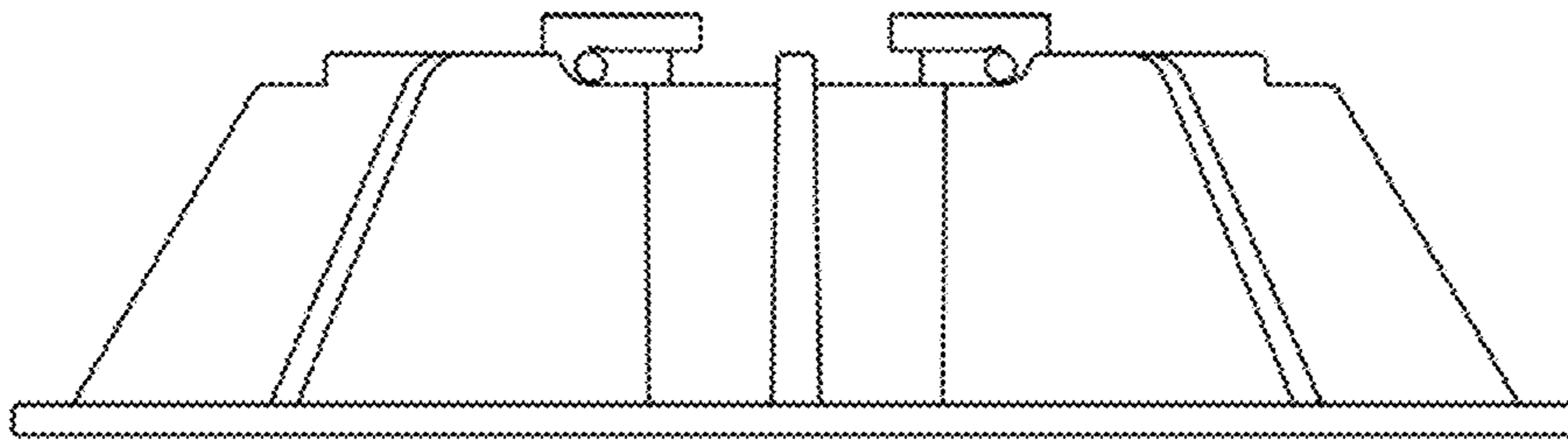


FIG. 5

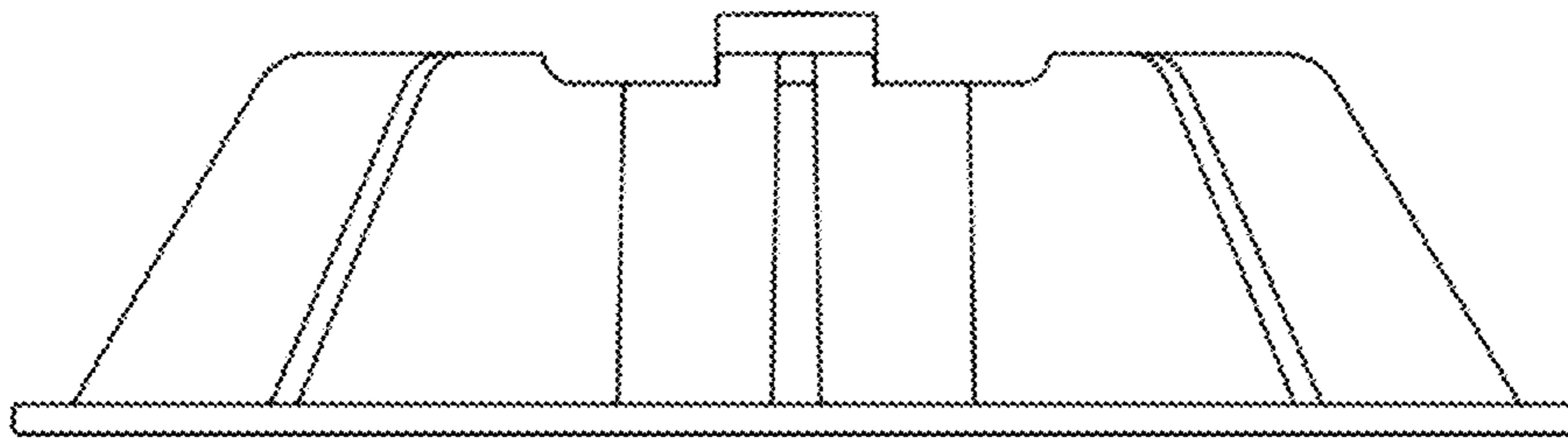


FIG. 6

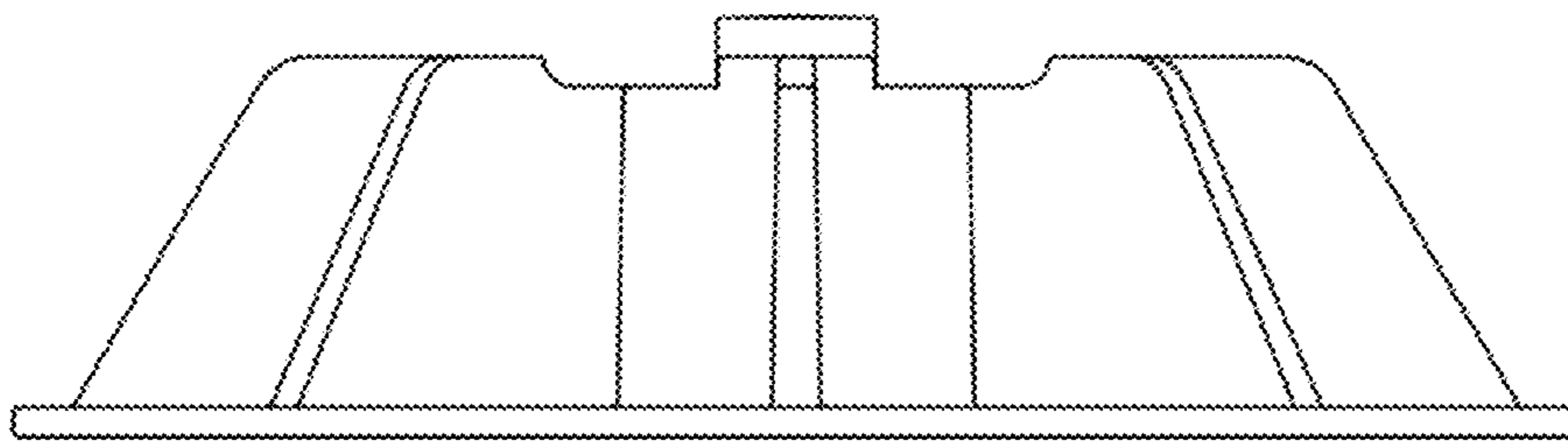


FIG. 7

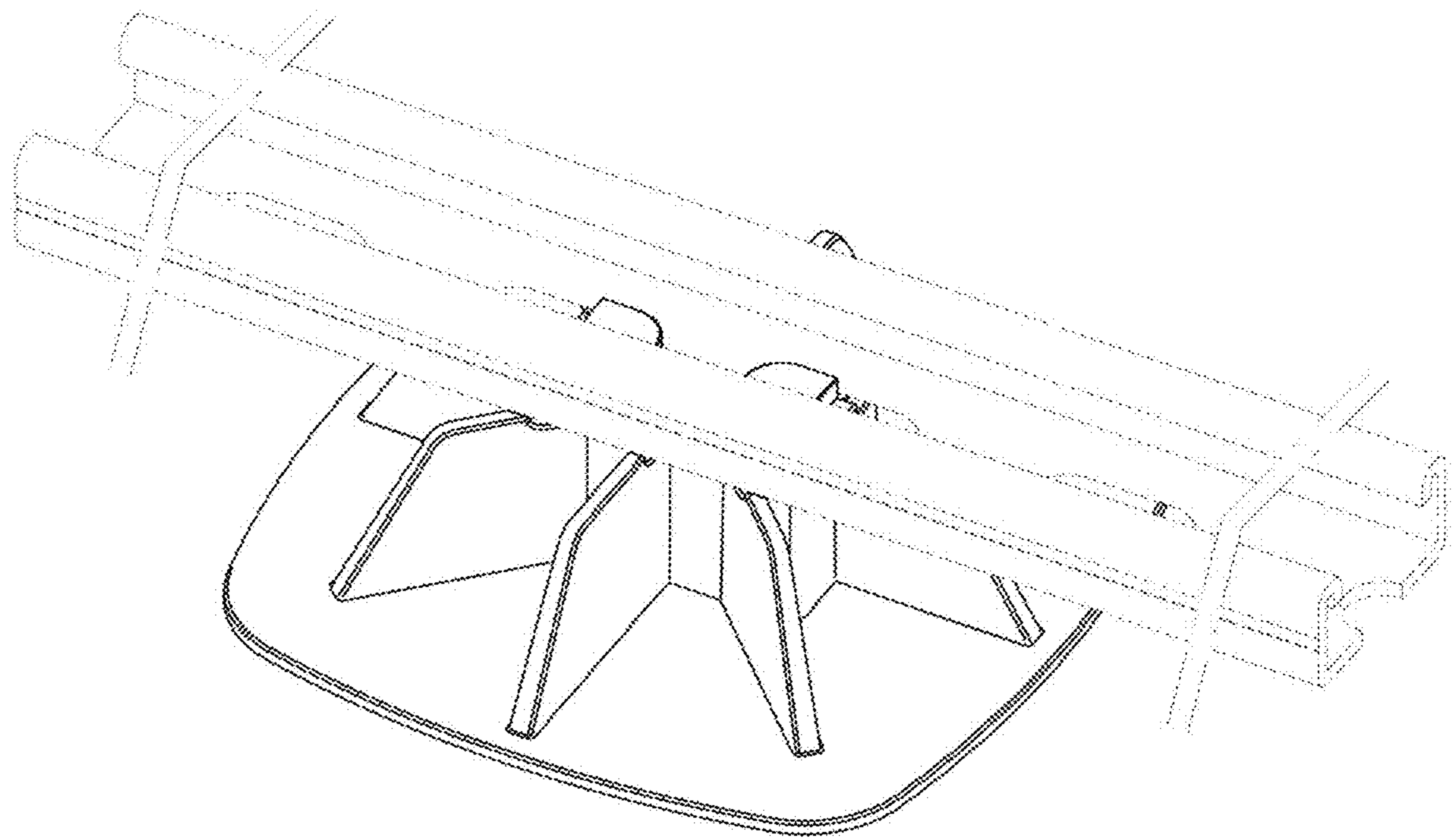


FIG. 8