



US00D923456S

(12) **United States Design Patent** (10) **Patent No.:** **US D923,456 S**  
**Ferreira et al.** (45) **Date of Patent:** **\*\* Jun. 29, 2021**

(54) **CONNECTOR**  
(71) Applicant: **Microsoft Corporation**, Redmond, WA (US)  
(72) Inventors: **Joseph E. Ferreira**, Seattle, WA (US); **Madeline Brooke Timmins**, Bellevue, WA (US); **Christopher J. Allen**, Redmond, WA (US)  
(73) Assignee: **Microsoft Corporation**, Redmond, WA (US)  
(\*\*) Term: **15 Years**  
(21) Appl. No.: **29/707,057**  
(22) Filed: **Sep. 25, 2019**  
(51) **LOC (13) Cl.** ..... **08-08**  
(52) **U.S. Cl.**  
USPC ..... **D8/349**  
(58) **Field of Classification Search**  
USPC ..... D8/349, 354, 382, 350-353, 355, 363, D8/373-377; D14/217, 239; D11/200, D11/212, 218, 219, 231, 234, 87  
CPC ... F16C 11/0695; F16C 11/0604; F16C 11/06; F16C 11/0685; F16M 2200/024; F16B 5/0657; F16B 5/0664; F16B 21/09; F16B 45/00; H04B 1/3877; G06F 1/1632; H04M 1/06  
See application file for complete search history.

D616,732 S \* 6/2010 Brockington ..... D8/373  
D619,498 S \* 7/2010 Paik ..... D11/218  
D631,874 S \* 2/2011 Molter ..... D14/239  
D633,415 S \* 3/2011 Grimm ..... D11/218  
D656,393 S \* 3/2012 Honda ..... D8/382  
D872,066 S \* 1/2020 Bailey ..... D14/239  
D888,027 S \* 6/2020 Pei ..... D14/239  
D889,946 S \* 7/2020 Pham ..... D8/373  
D891,904 S \* 8/2020 Naugler ..... D8/349  
D891,905 S \* 8/2020 Carnevali ..... D8/354  
D891,906 S \* 8/2020 Carnevali ..... D8/354

**OTHER PUBLICATIONS**

“Office Action Issued in Indian Patent Application No. 327575-001”, dated Mar. 17, 2020, 2 Pages.

\* cited by examiner

*Primary Examiner* — Mark A Goodwin  
*Assistant Examiner* — Benjamin M Weeks  
(74) *Attorney, Agent, or Firm* — Banner & Witcoff, Ltd.

(57) **CLAIM**

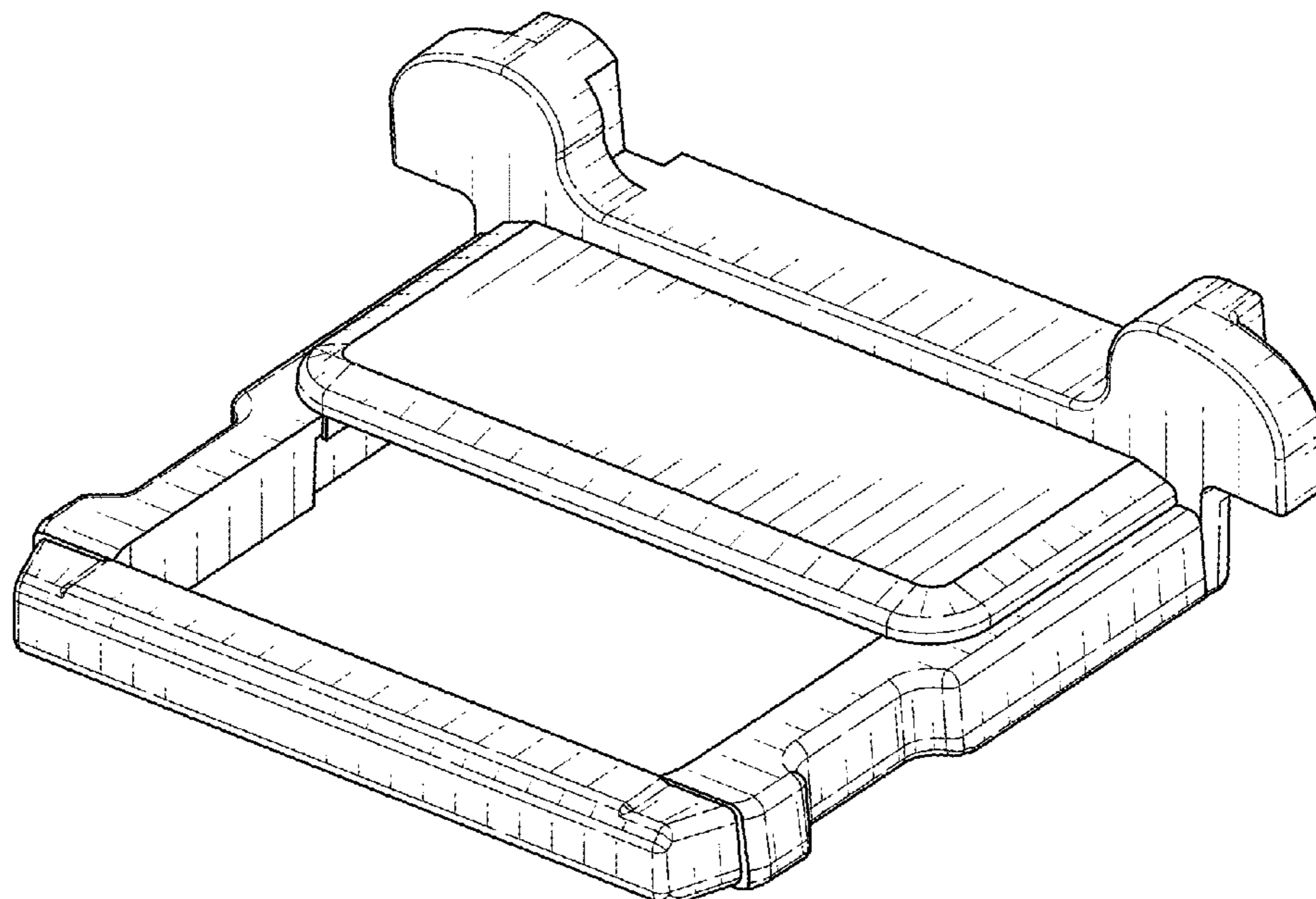
The ornamental design for a connector, as shown and described.

**DESCRIPTION**

FIG. 1 is a top front perspective view of a connector showing our new design;  
FIG. 2 is a bottom rear perspective view thereof;  
FIG. 3 is a front view thereof;  
FIG. 4 is a rear view thereof;  
FIG. 5 is a right side view thereof;  
FIG. 6 is a left side view thereof;  
FIG. 7 is a top view thereof; and,  
FIG. 8 is a bottom view thereof.

**1 Claim, 6 Drawing Sheets**

(56) **References Cited**  
U.S. PATENT DOCUMENTS  
D30,401 S \* 3/1899 Morrison ..... D8/349  
D313,204 S \* 12/1990 Bodt ..... D11/218  
D533,768 S \* 12/2006 Hsiung ..... D8/349  
D576,075 S \* 9/2008 Freeman ..... D11/218



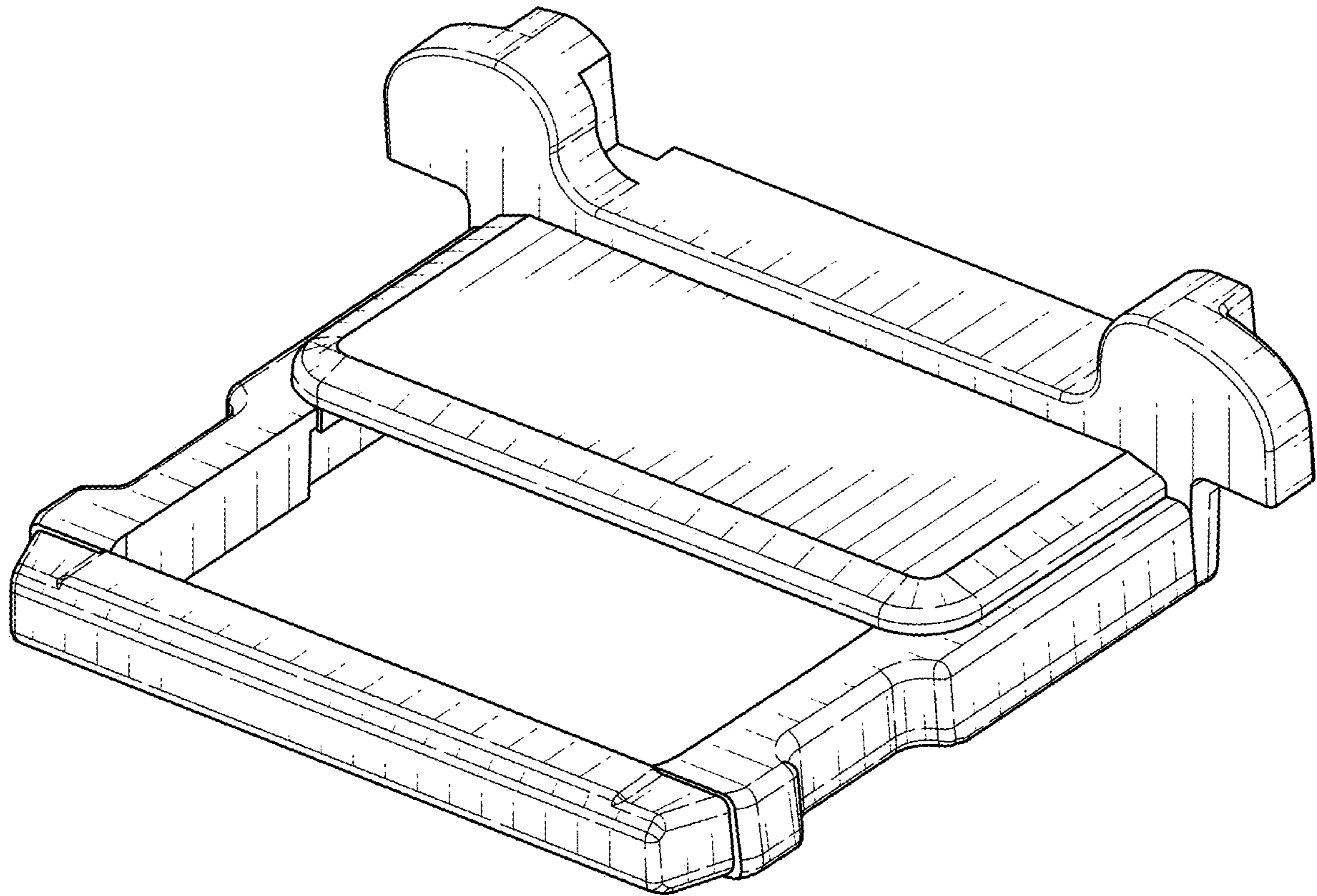


FIG. 1

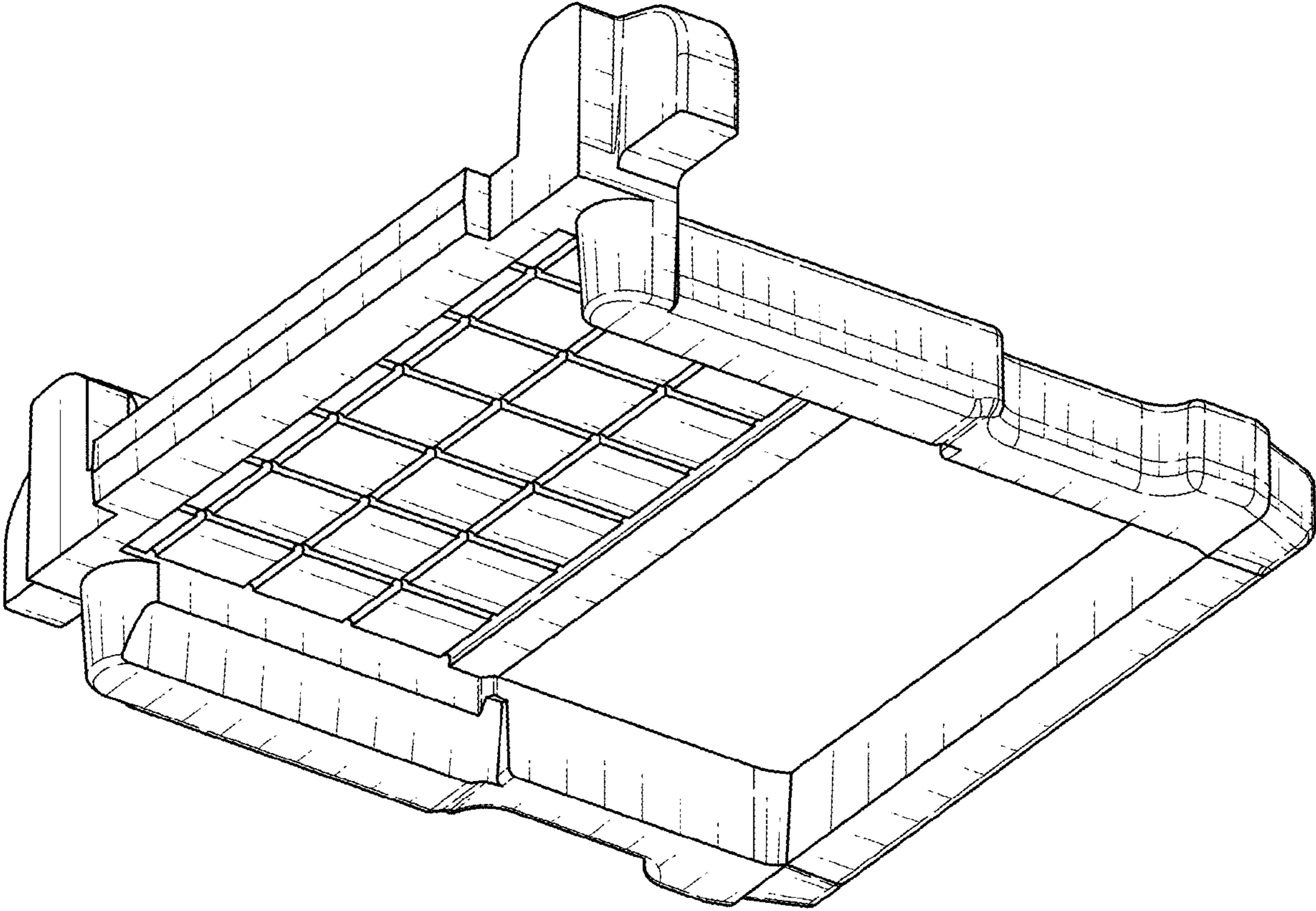


FIG. 2

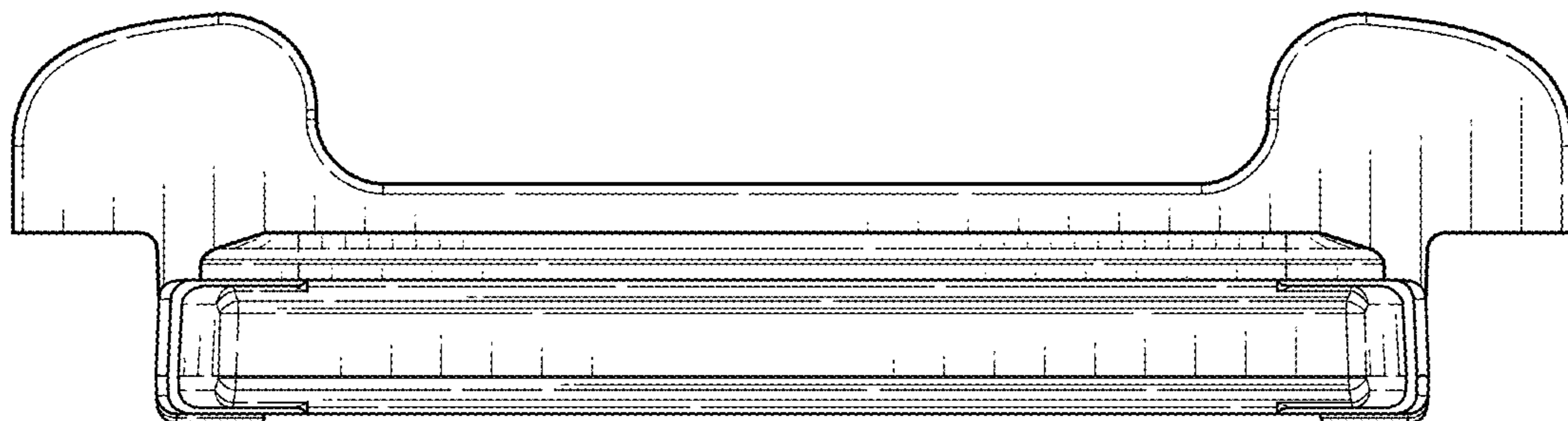


FIG. 3

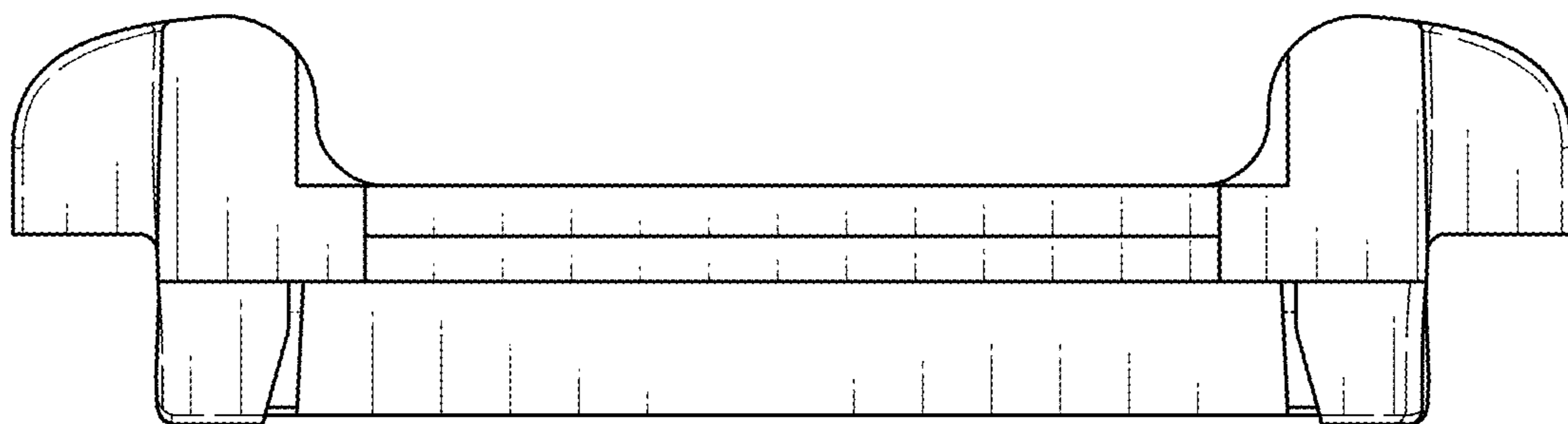


FIG. 4

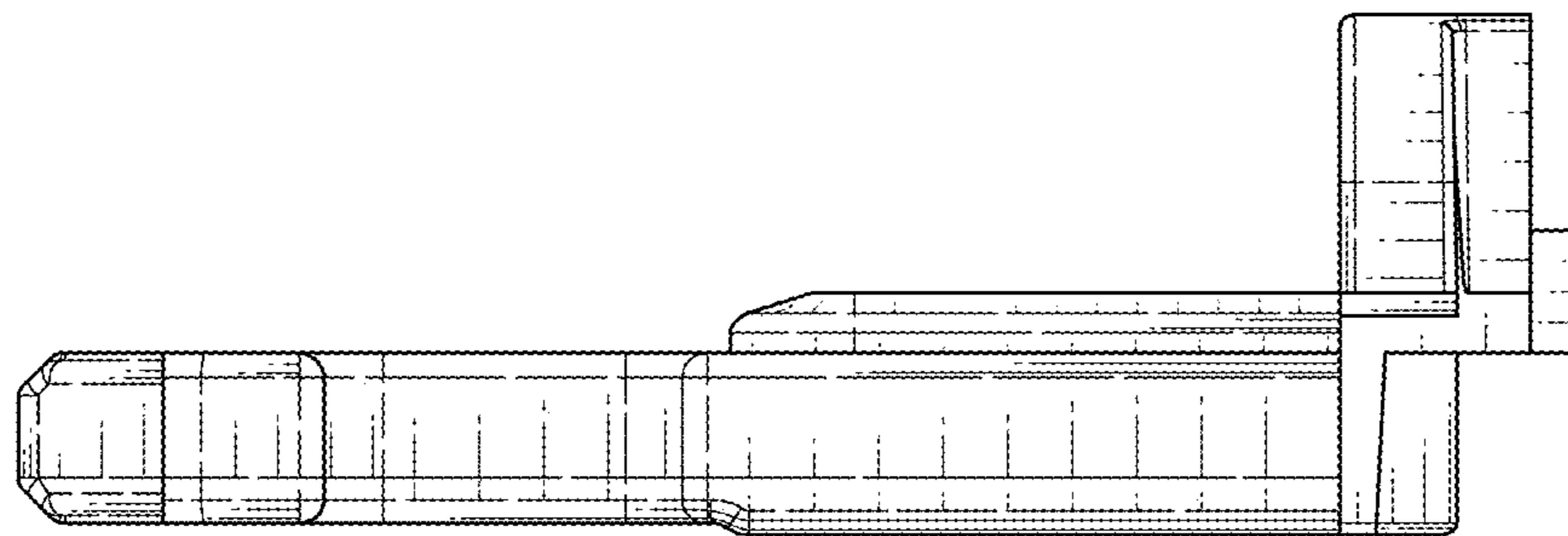


FIG. 5

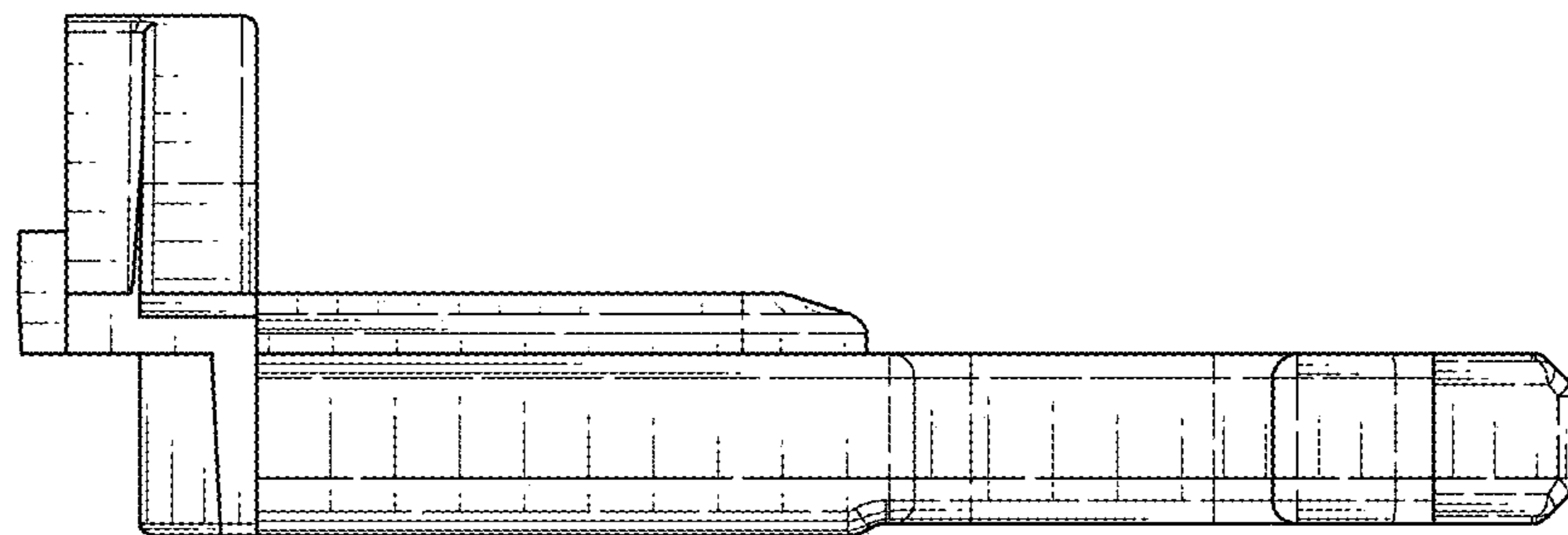


FIG. 6

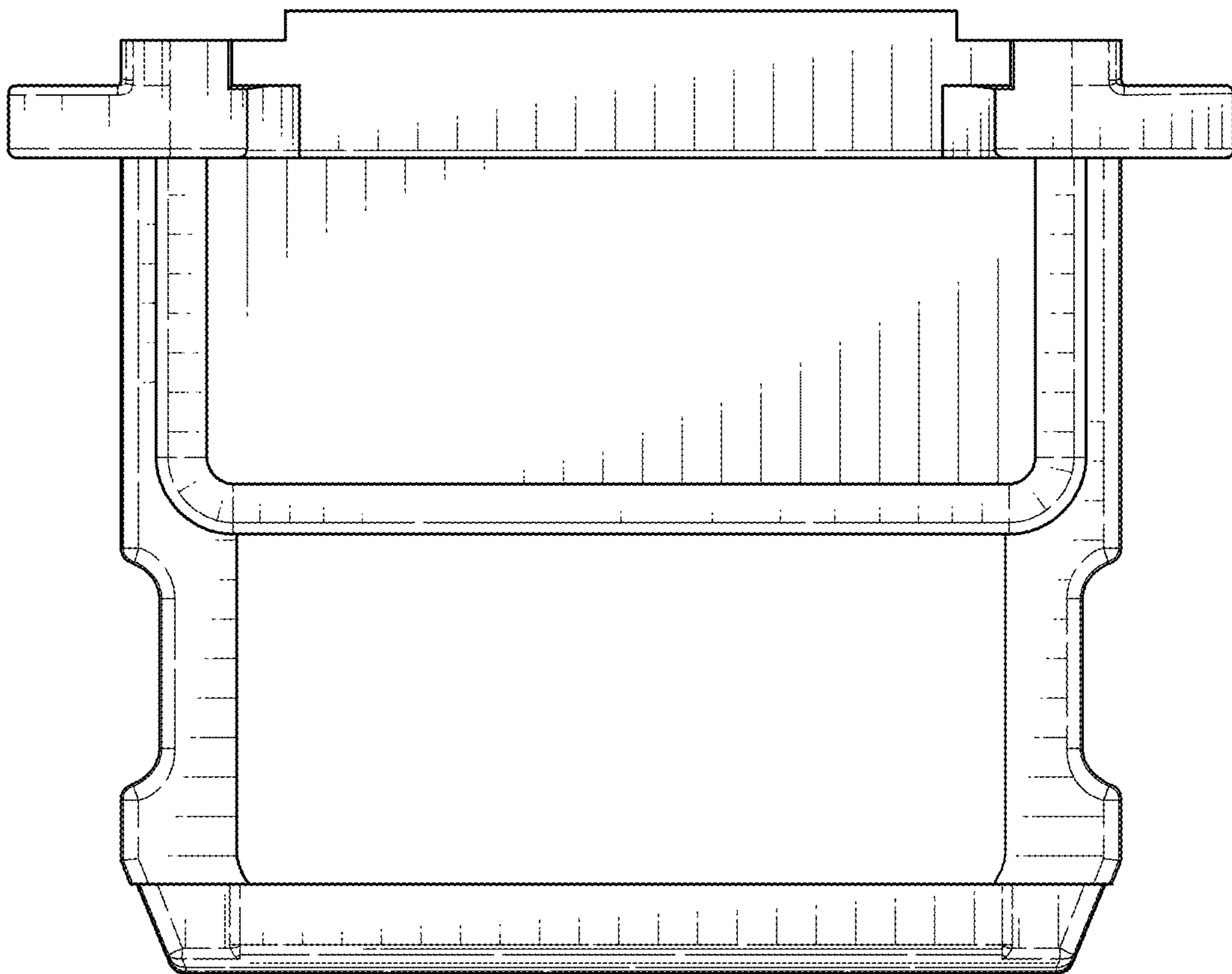


FIG. 7

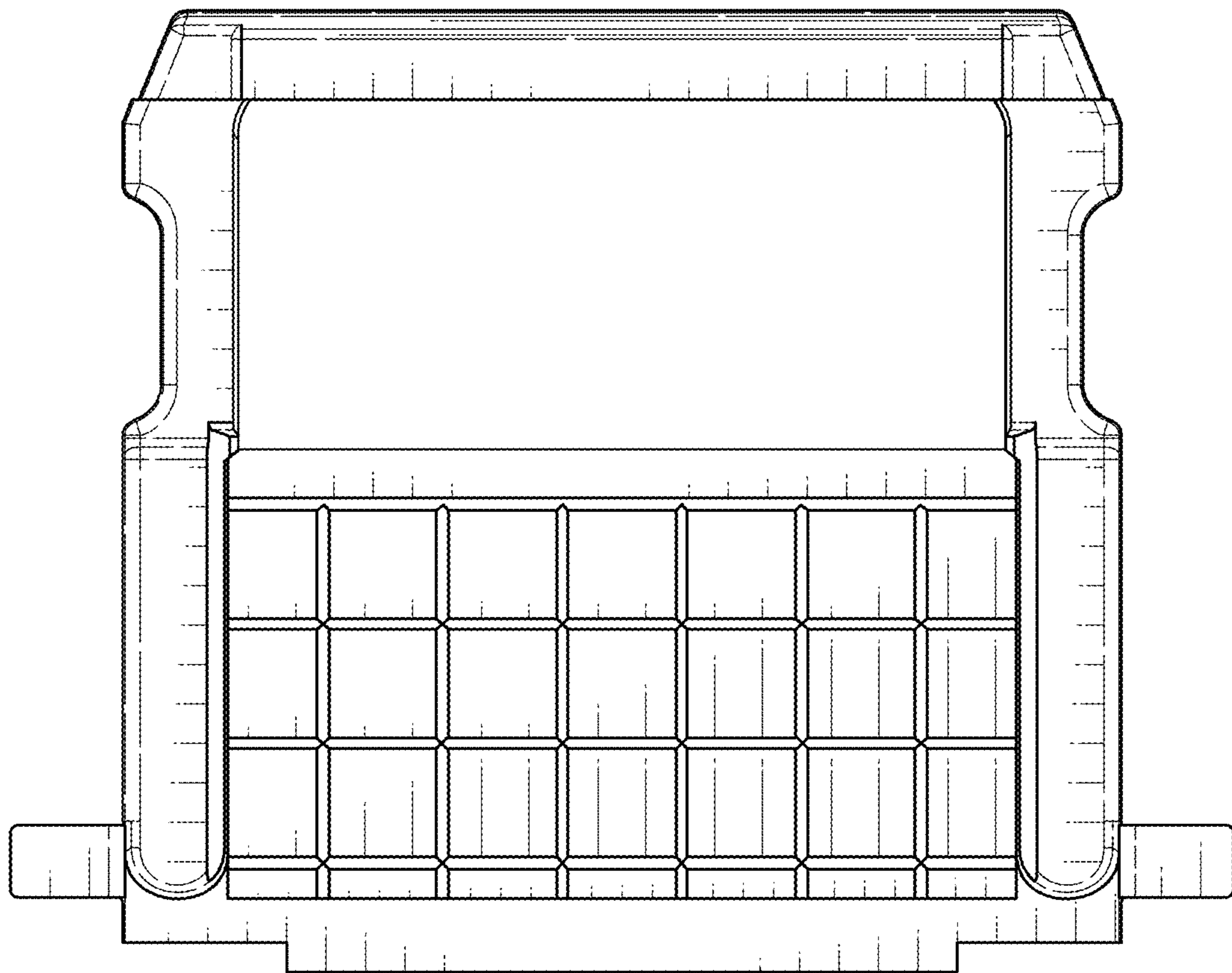


FIG. 8