



US00D923453S

(12) **United States Design Patent**  
**Chen**

(10) **Patent No.:** **US D923,453 S**

(45) **Date of Patent:** **\*\* Jun. 29, 2021**

(54) **DOOR LOCK**

(71) Applicant: **ZHONGSHAN HYDI ARROW LOCK CO., LTD**, Zhongshan (CN)

(72) Inventor: **Qiang Chen**, Tongren (CN)

(73) Assignee: **ZHONGSHAN HYDI ARROW LOCK CO., LTD**, Zhongshan (CN)

(\*\*) Term: **15 Years**

(21) Appl. No.: **29/728,828**

(22) Filed: **Mar. 20, 2020**

(51) **LOC (13) Cl.** ..... **08-07**

(52) **U.S. Cl.**  
USPC ..... **D8/331**

(58) **Field of Classification Search**  
USPC ..... D8/330, 331  
CPC ..... E05B 1/00; E05B 1/0015; E05B 5/006;  
E05B 47/00; E05B 47/0001; E05B  
17/147; E05C 1/002; E05C 1/004; E05C  
1/08; E05C 3/002; E05C 3/004; E05C  
3/006; E05C 3/008; E05C 3/12; G07C  
9/00174; G07C 2009/00253  
See application file for complete search history.

(56) **References Cited**

**U.S. PATENT DOCUMENTS**

8,869,574 B2 \* 10/2014 Schmidt-Lackner .....  
E05B 13/001  
70/129  
8,931,315 B2 \* 1/2015 Frolov ..... E05B 47/0692  
70/279.1

9,487,971 B2 \* 11/2016 Quach ..... E05B 47/0005  
10,049,520 B2 \* 8/2018 Gardiner ..... G07C 9/00571  
10,240,365 B2 \* 3/2019 Almomani ..... E05B 47/0001  
D888,537 S \* 6/2020 Laurans ..... D8/331  
D896,614 S \* 9/2020 Liao ..... D8/331

\* cited by examiner

*Primary Examiner* — Doris Clark

(57) **CLAIM**

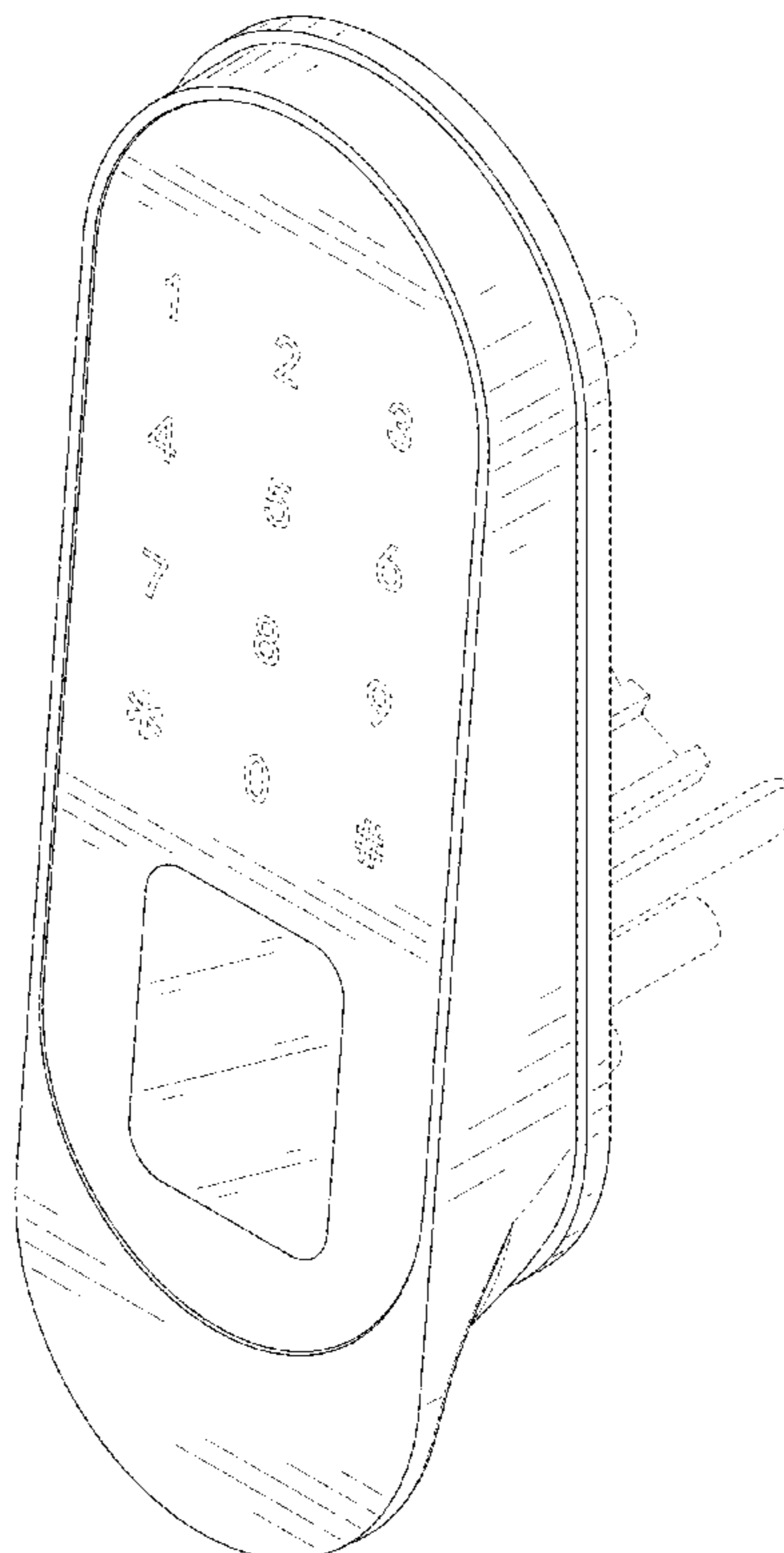
The ornamental design for a door lock, as shown and described.

**DESCRIPTION**

FIG. 1 is a perspective view of a door lock showing my new design;  
FIG. 2 is another perspective view thereof;  
FIG. 3 is a front elevational view thereof;  
FIG. 4 is a rear elevational view thereof;  
FIG. 5 is a left side elevational view thereof;  
FIG. 6 is a right side elevational view thereof;  
FIG. 7 is a top plan view thereof; and,  
FIG. 8 is a bottom plan view thereof.

The broken lines in the drawings depict boundaries of the door lock that form no part of the claimed design.

**1 Claim, 8 Drawing Sheets**



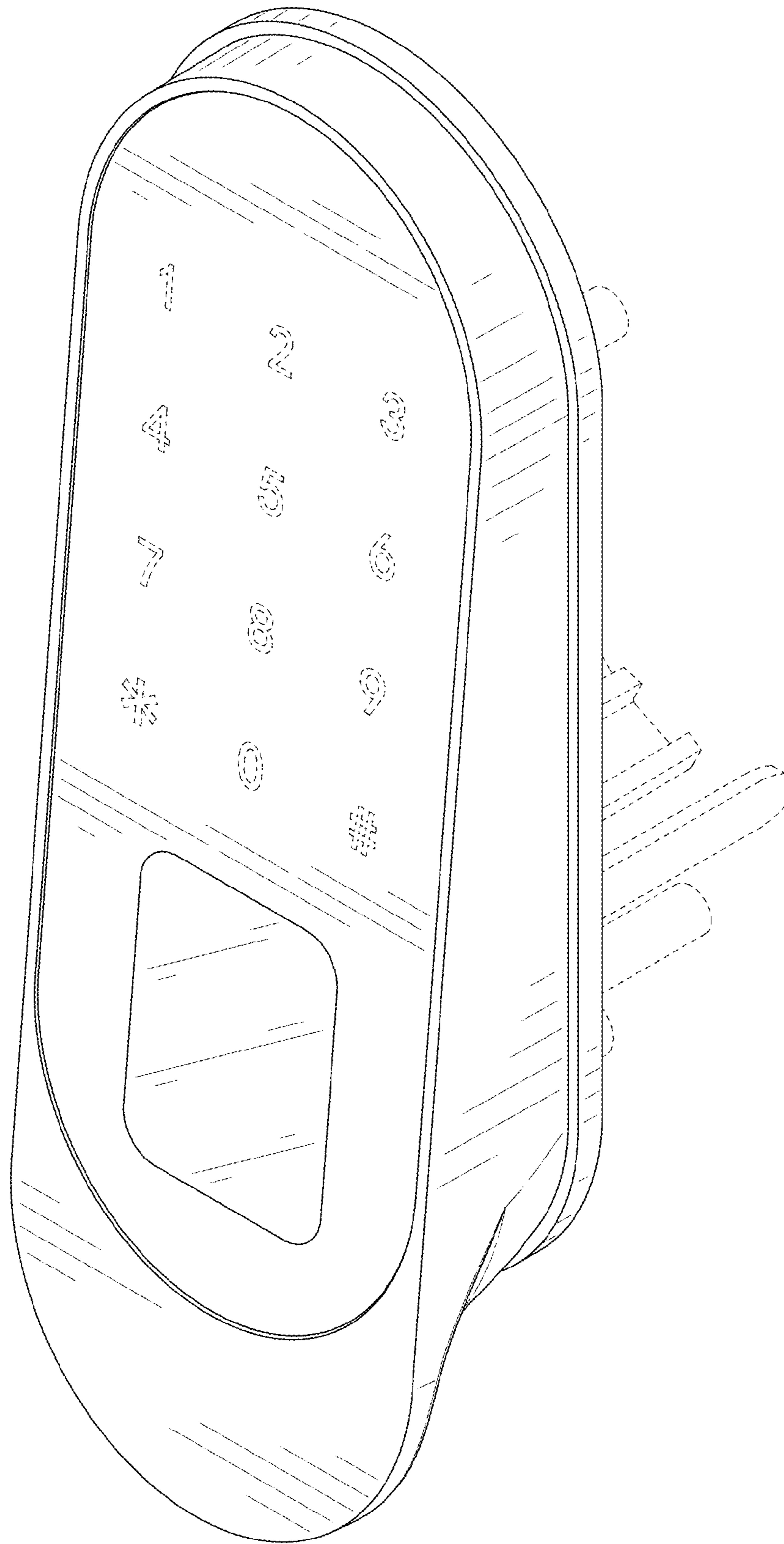


FIG. 1

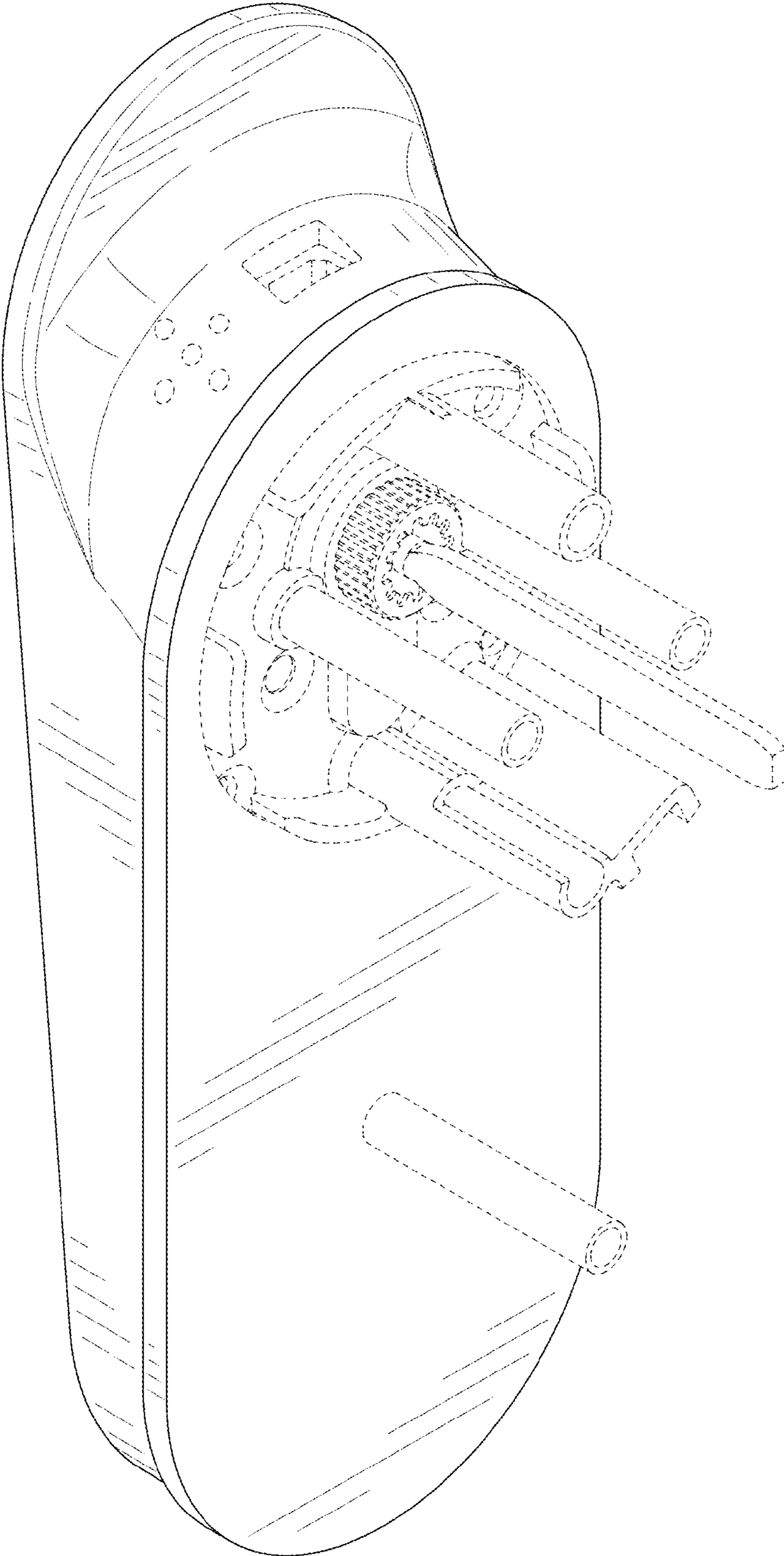


FIG. 2

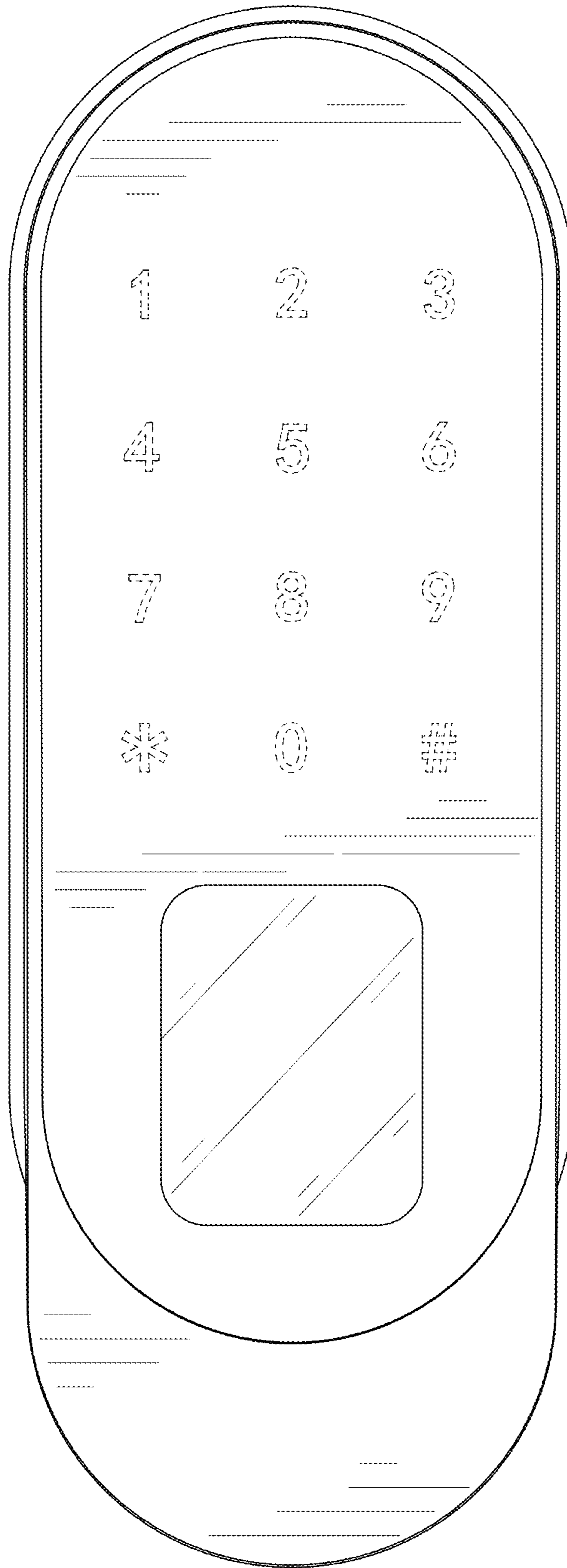


FIG. 3

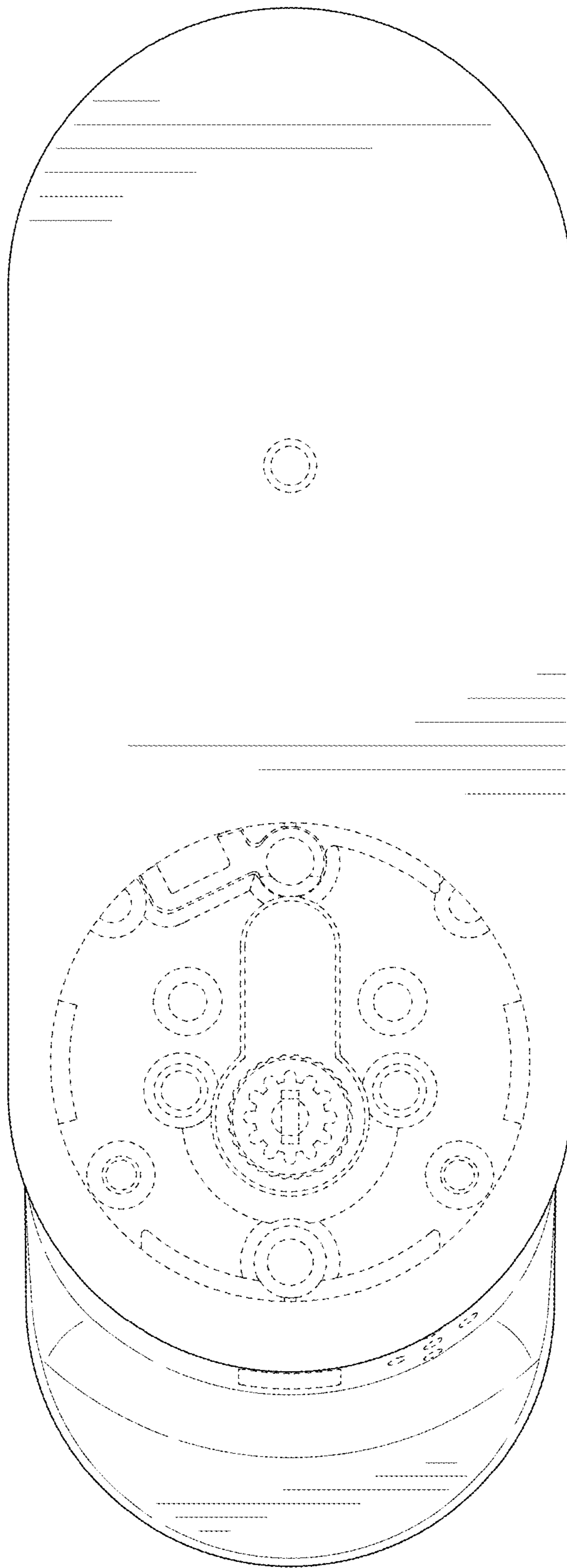


FIG. 4

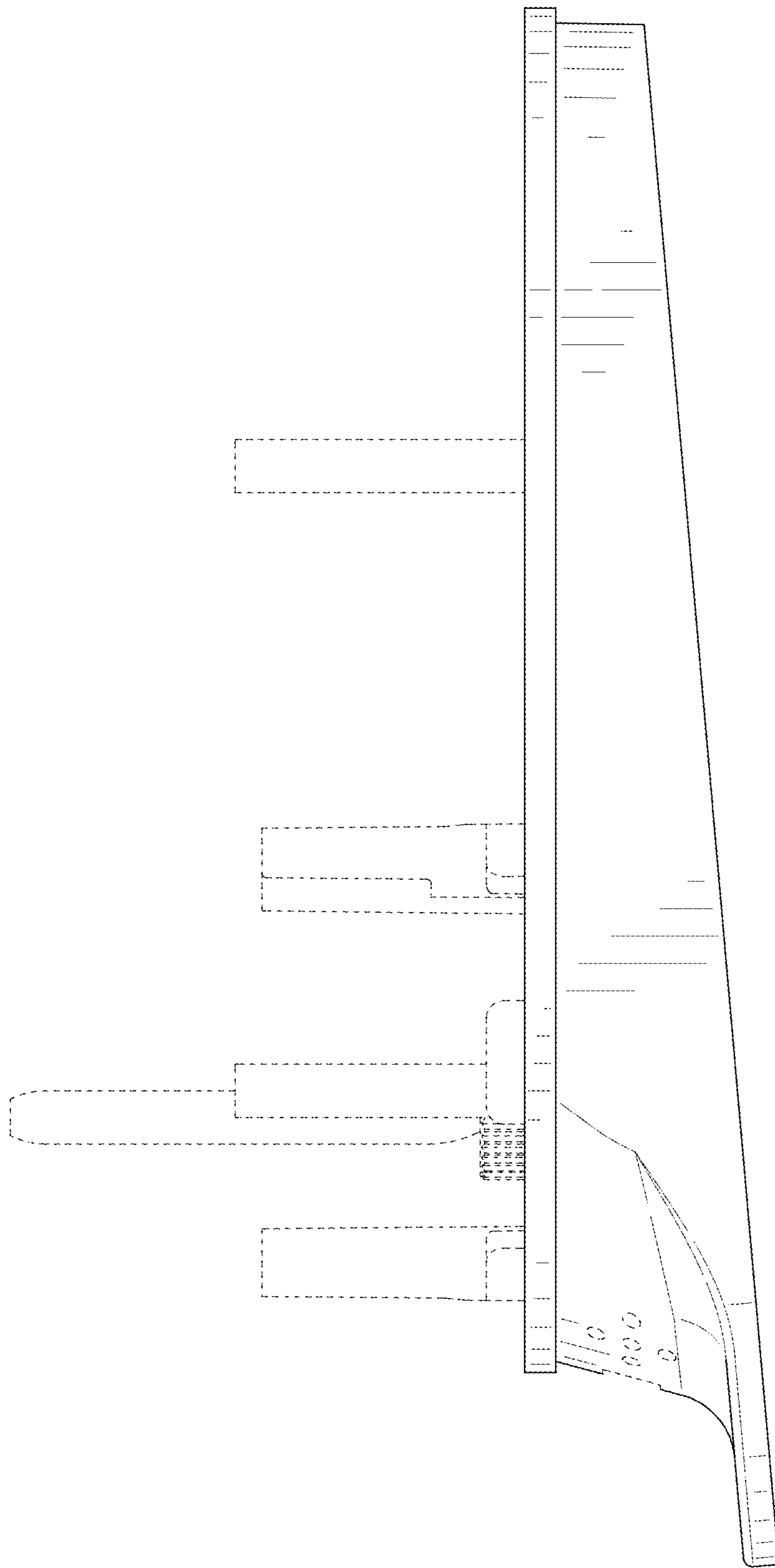


FIG. 5

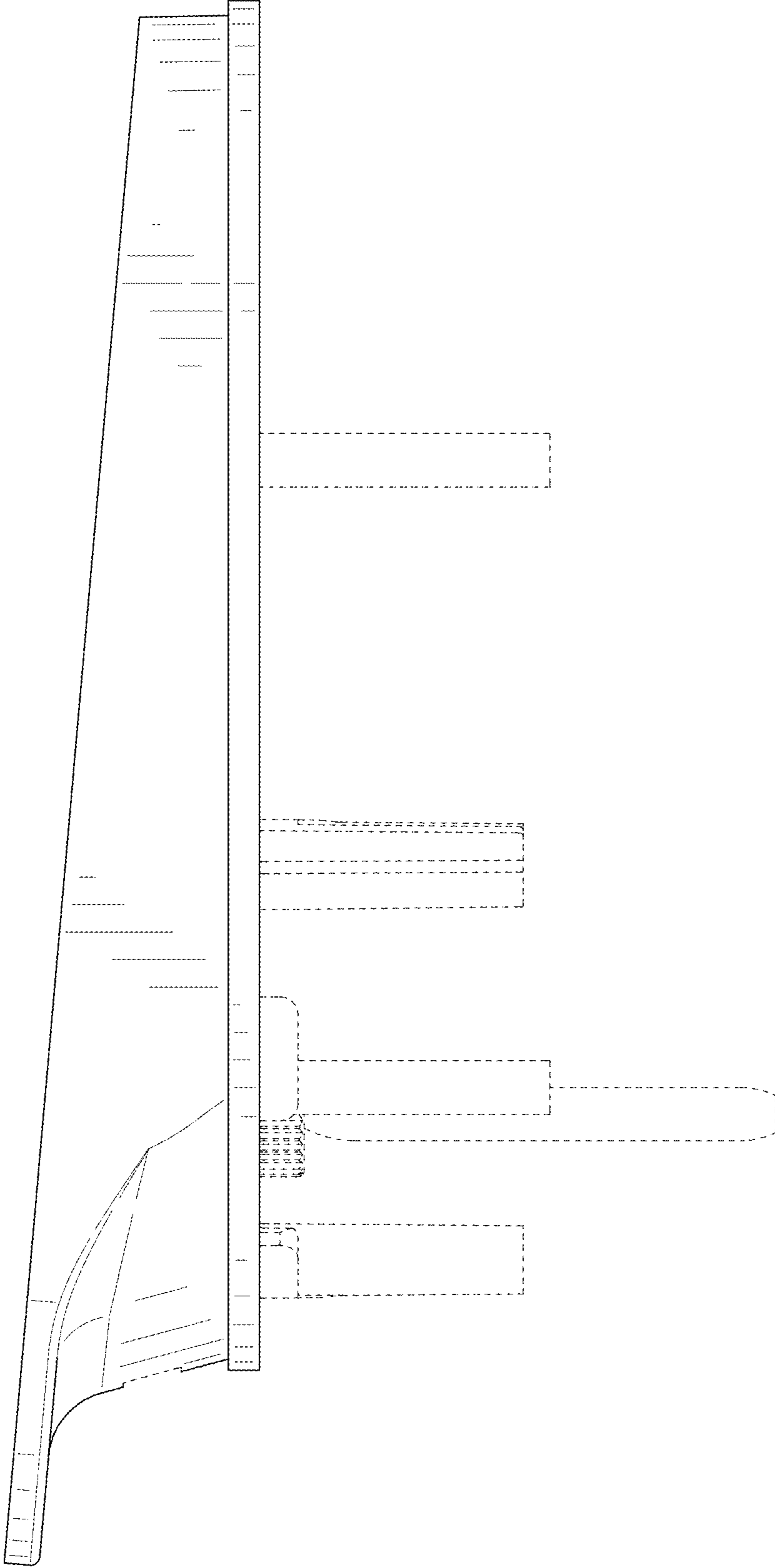


FIG. 6

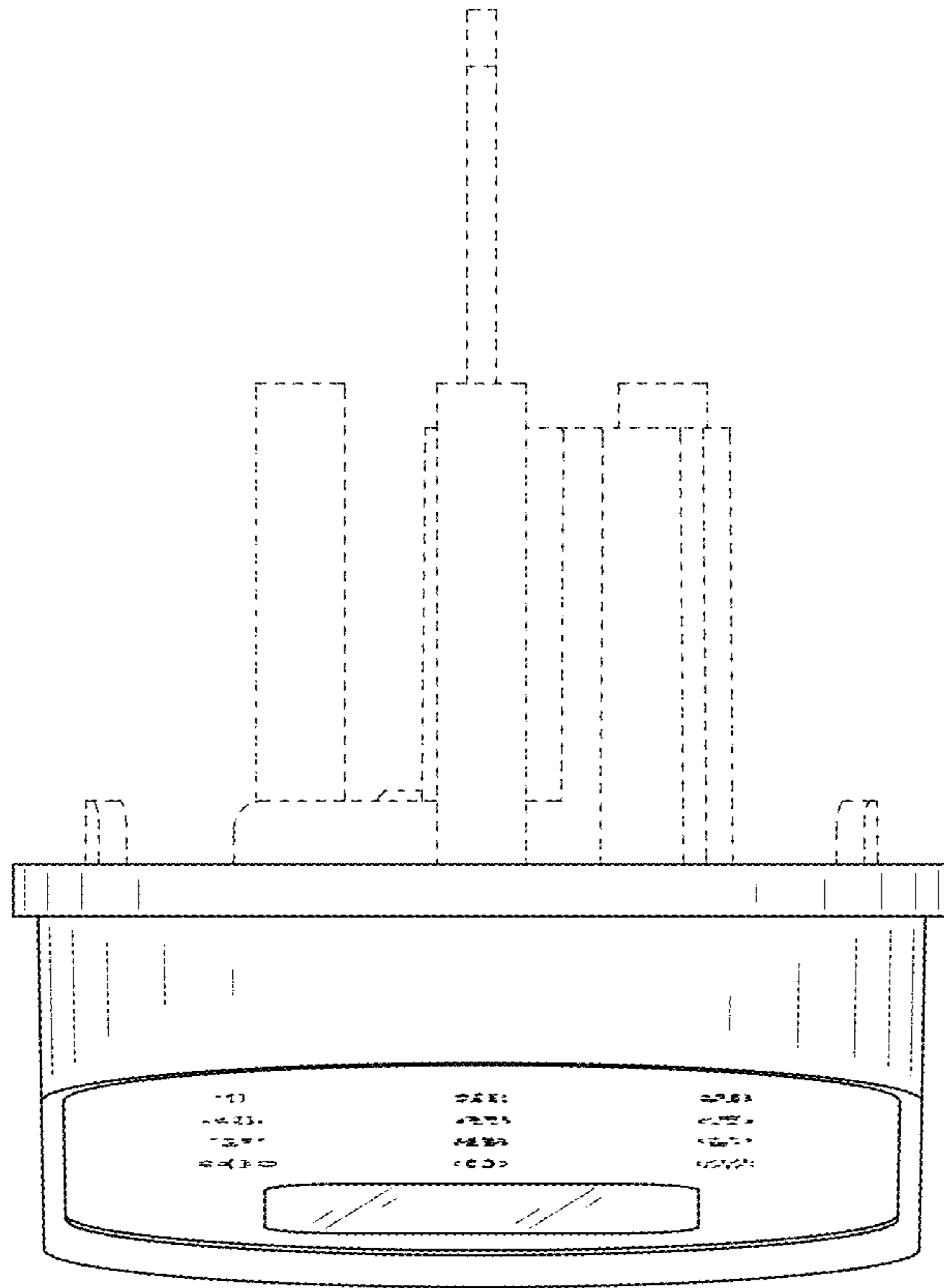


FIG. 7



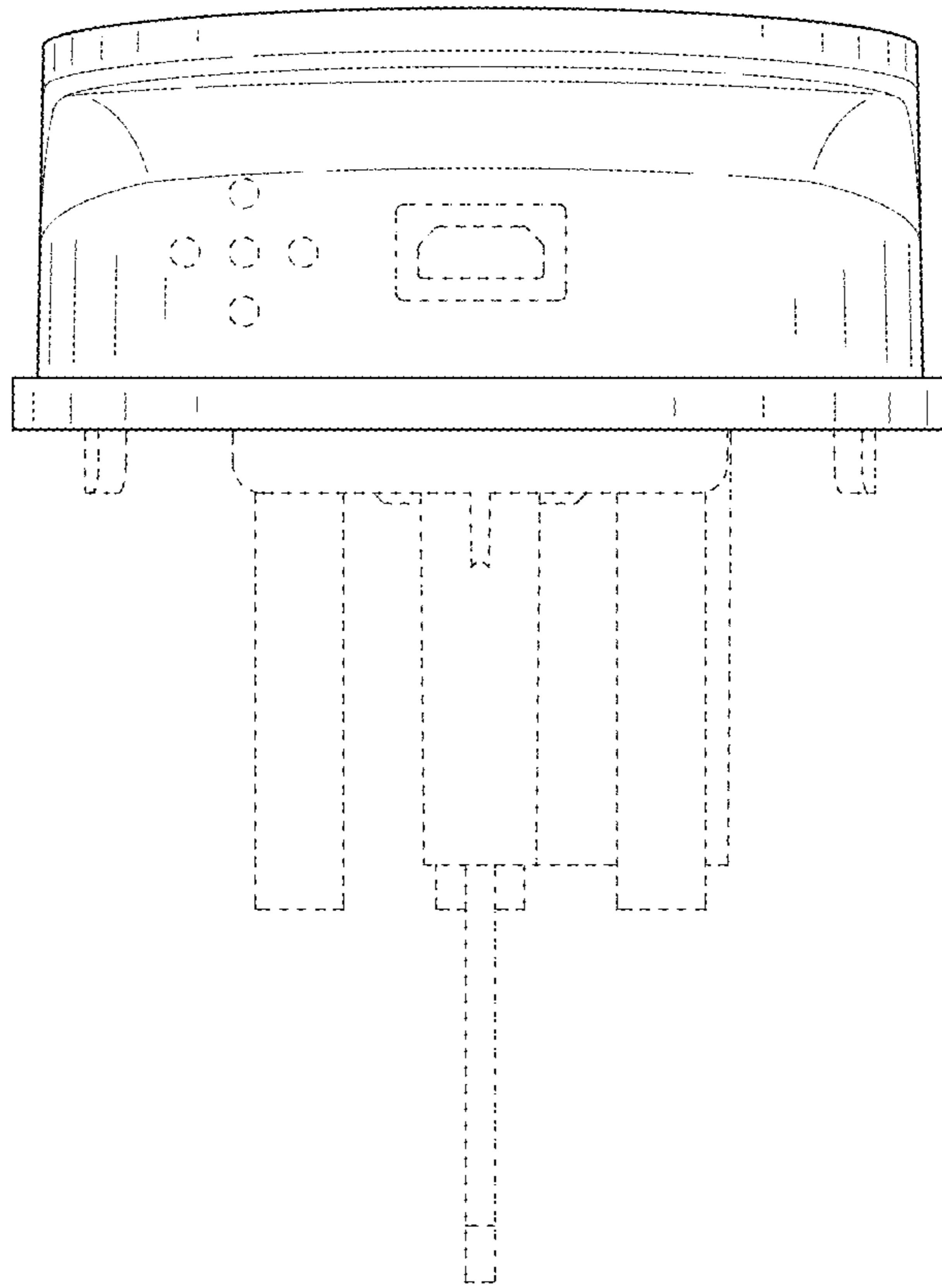


FIG. 8