



US00D923452S

(12) **United States Design Patent**  
**Bae et al.**

(10) **Patent No.:** **US D923,452 S**

(45) **Date of Patent:** **\*\* Jun. 29, 2021**

(54) **DIGITAL DOOR LOCK**

(71) Applicant: **LG ELECTRONICS INC.**, Seoul (KR)

(72) Inventors: **Jinwan Bae**, Seoul (KR); **Hyunchul Kim**, Seoul (KR); **Jonghak Lee**, Seoul (KR); **Sharim Choe**, Seoul (KR); **Joungyoung Jung**, Seoul (KR)

(73) Assignee: **LG ELECTRONICS INC.**, Seoul (KR)

(\*\*) Term: **15 Years**

(21) Appl. No.: **35/508,225**

(22) Filed: **Feb. 26, 2019**

(80) **Hague Agreement Data**

Int. Filing Date: **Feb. 26, 2019**

Int. Reg. No.: **DM/204937**

Int. Reg. Date: **Feb. 26, 2019**

Int. Reg. Pub. Date: **Dec. 27, 2019**

(30) **Foreign Application Priority Data**

Aug. 31, 2018 (KR) ..... 30-2018-0040848

(51) **LOC (13) Cl.** ..... **08-07**

(52) **U.S. Cl.**  
USPC ..... **D8/330; D8/331**

(58) **Field of Classification Search**  
USPC ..... D8/330, 331, 336, 337, 338, 339, 341, D8/342, 343, 350, 352, 353

(Continued)

(56) **References Cited**

**U.S. PATENT DOCUMENTS**

D696,095 S \* 12/2013 Kim ..... D8/331

D733,522 S \* 7/2015 Kim ..... D8/331

(Continued)

*Primary Examiner* — Darlington Ly

(74) *Attorney, Agent, or Firm* — Birch, Stewart, Kolasch & Birch LLP

(57) **CLAIM**

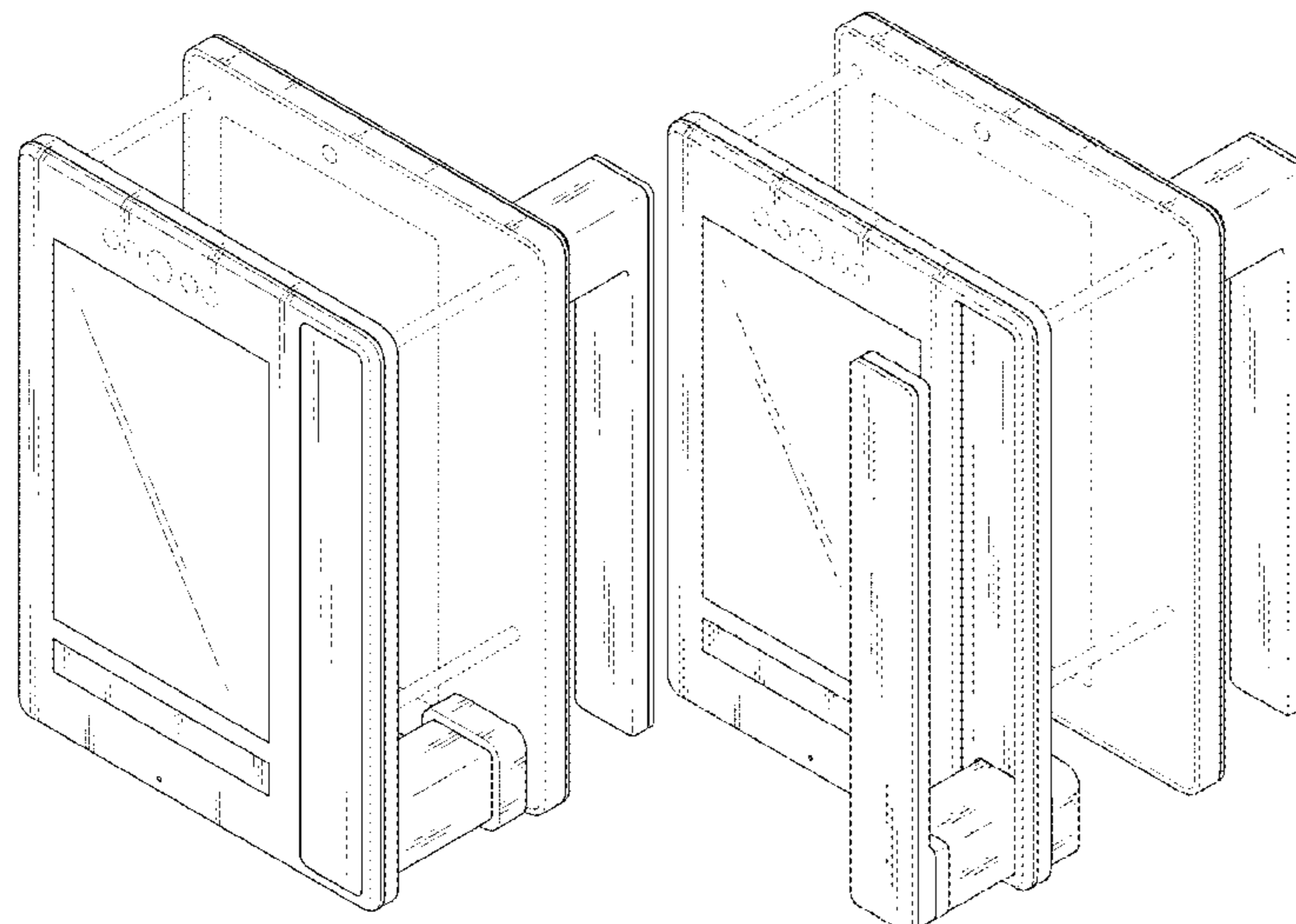
The ornamental design for a digital door lock, as shown and described.

**DESCRIPTION**

- 1. Digital door lock
- 1.1 is a front perspective view of a digital door lock embodying our new design;
- 1.2 is a front elevation view thereof;
- 1.3 is a rear elevation view thereof;
- 1.4 is a left side elevation view thereof;
- 1.5 is a right side elevation view thereof;
- 1.6 is a top plan view thereof;
- 1.7 is a bottom plan view thereof;
- 1.8 is a front perspective view thereof, in which the exterior handle has been pulled out;
- 1.9 is a front elevation view thereof, in which the exterior handle has been pulled out;
- 1.10 is a rear elevation view thereof, in which the exterior handle has been pulled out;
- 1.11 is a left side elevation view thereof, in which the exterior handle has been pulled out;
- 1.12 is a right side elevation view thereof, in which the exterior handle has been pulled out;
- 1.13 is a top plan view thereof, in which the exterior handle has been pulled out; and
- 1.14 is a bottom plan view thereof, in which the exterior handle has been pulled out.

The subject design is a digital door lock which will be installed on the inside and outside of the door, the outside handle will be opened via facial recognition and/or fingerprint recognition; the reproductions 1.1 to 1.7 show the state prior to the change and the reproductions 1.8 to 1.14 show the state after change with the opened outside handle; the broken lines indicate portions of the article that form no part of the claimed design.

**1 Claim, 14 Drawing Sheets**



(58) **Field of Classification Search**

CPC ... E05B 9/00; E05B 9/08; E05B 9/002; E05B 47/00; E05B 63/00; E05B 63/0004; E05B 63/06; E05B 51/00; E05B 55/00; E05B 1/0007; E05B 47/068; E05B 2047/0017; E05B 2047/002; E05B 49/00; E05B 47/0657; E05B 45/06; E05B 2047/0068; E05B 47/02; E05B 47/06; E05B 63/04; E05B 55/005; E05B 47/0043; E05B 3/00; E05B 47/0012; E05B 47/0603

See application file for complete search history.

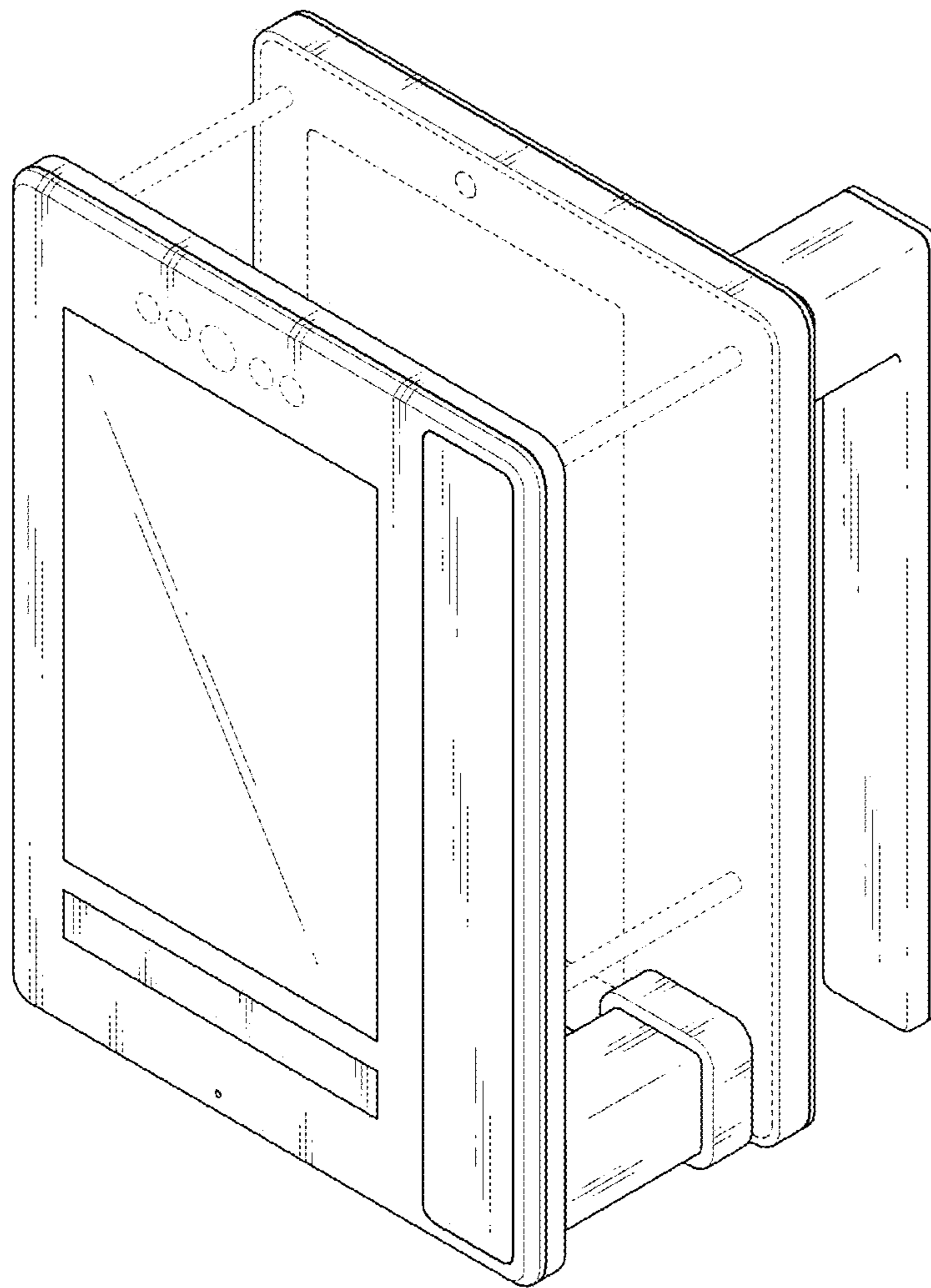
(56) **References Cited**

U.S. PATENT DOCUMENTS

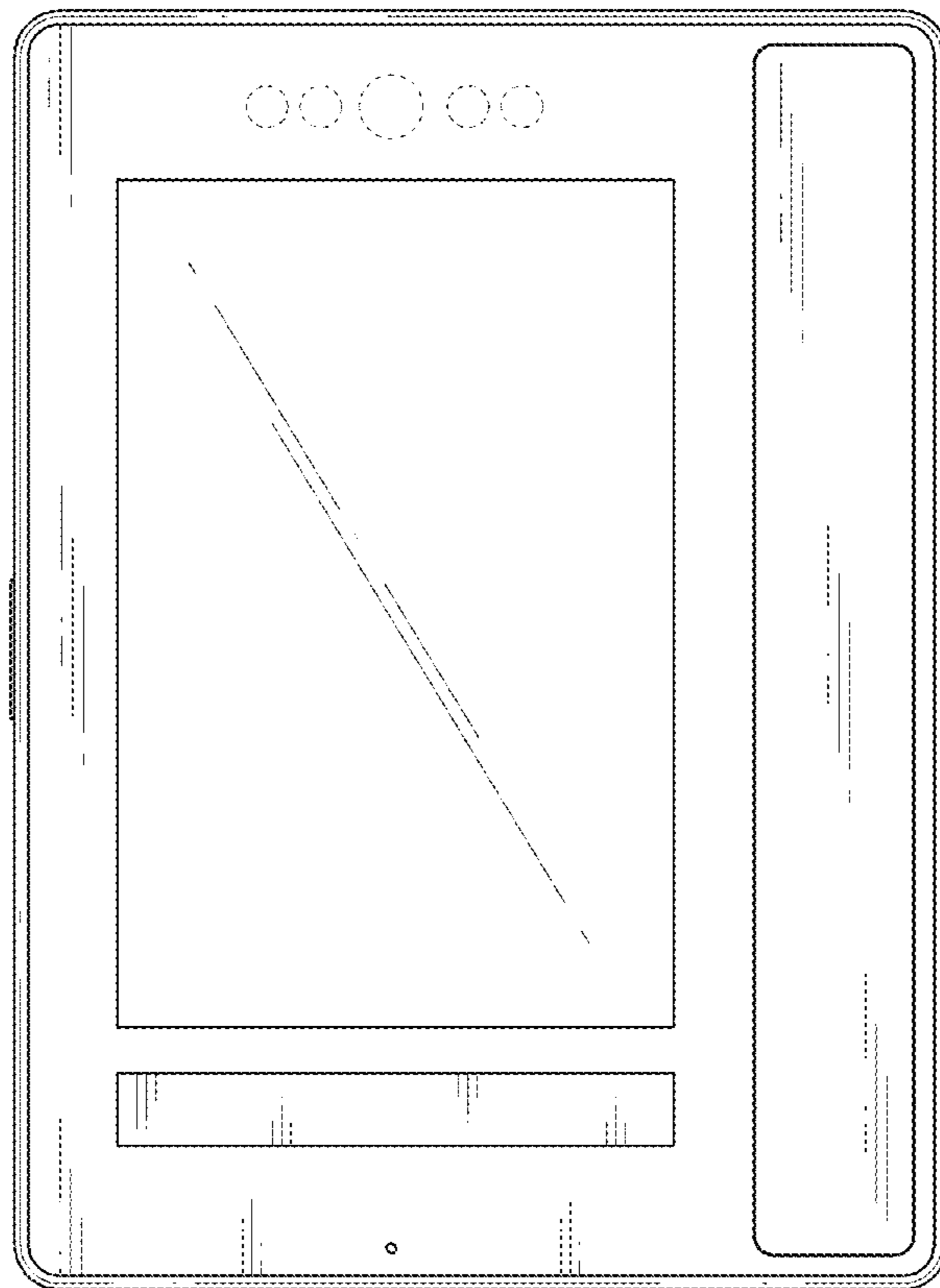
D735,016	S	*	7/2015	Kim	.....	D8/331
D794,414	S	*	8/2017	Chou	.....	D8/331
D800,533	S	*	10/2017	Hill	.....	D8/330
D811,852	S	*	3/2018	Xin	.....	D8/331
D814,265	S	*	4/2018	Kasper	.....	D8/330
D817,148	S	*	5/2018	Carpintero	.....	D8/331
D818,795	S	*	5/2018	Morstatt	.....	D8/331
D832,081	S	*	10/2018	Gokcebay	.....	D8/331
D837,033	S	*	1/2019	Han	.....	D8/331
D837,631	S	*	1/2019	Han	.....	D8/331
D840,785	S	*	2/2019	Kasper	.....	D8/330
D855,436	S	*	8/2019	Yu	.....	D8/330
10,443,264	B1	*	10/2019	Son	.....	E05B 47/00
D869,261	S	*	12/2019	Watson	.....	D8/330
D876,200	S	*	2/2020	Wong	.....	D8/330
D888,534	S	*	6/2020	Kim	.....	D8/331
D895,396	S	*	9/2020	Sweeney	.....	D8/330

\* cited by examiner

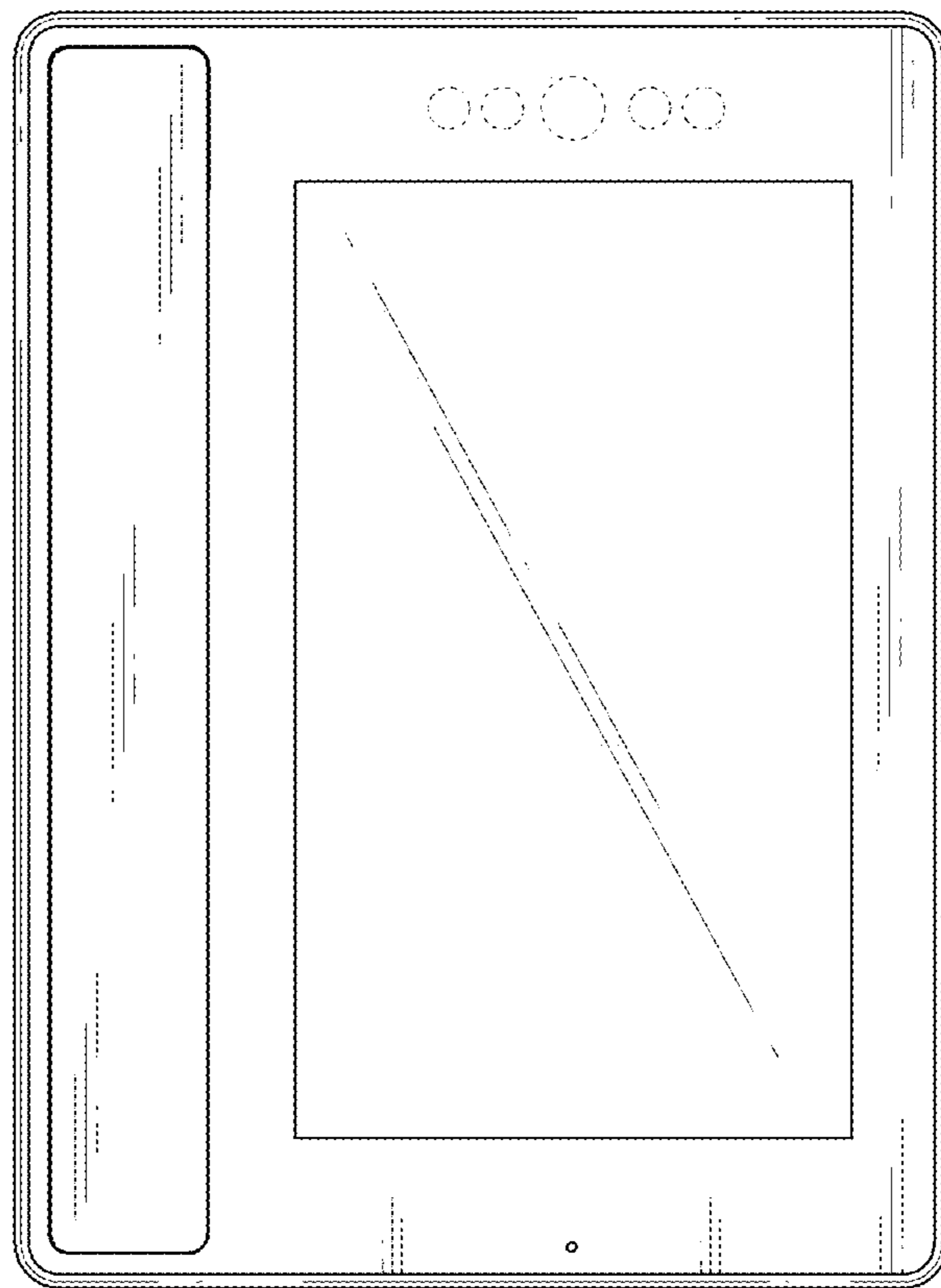
1.1



1.2

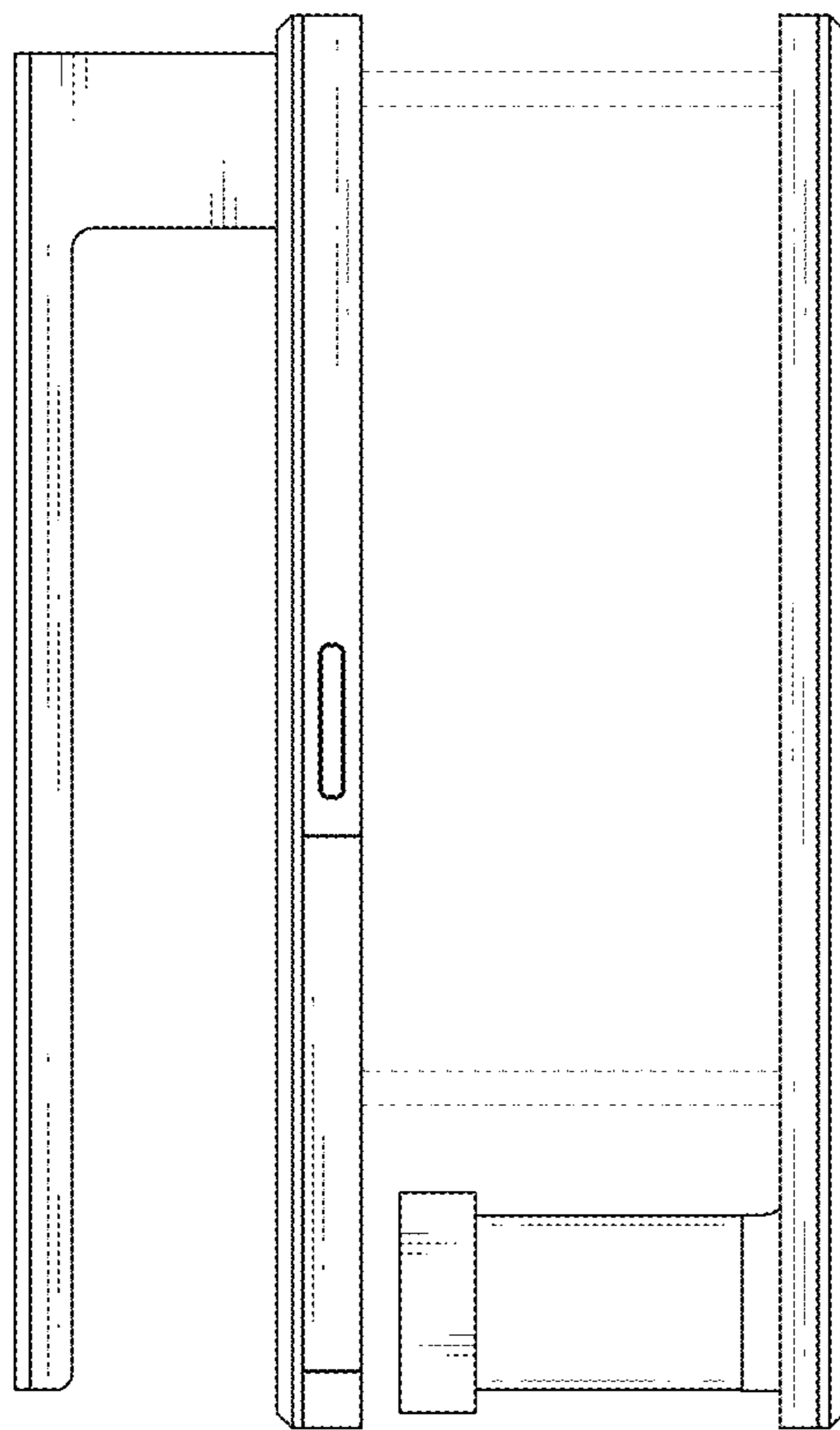


1.3

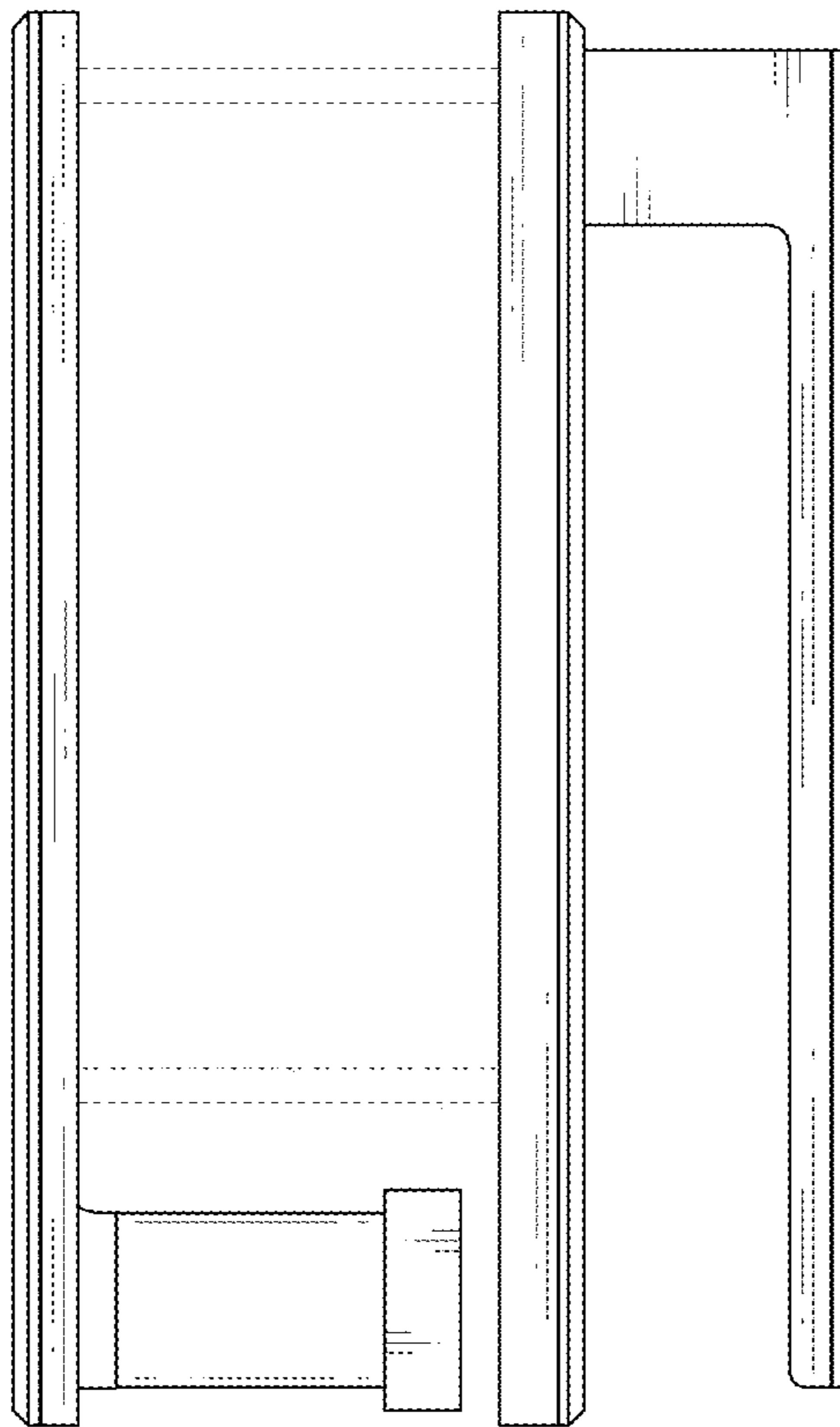




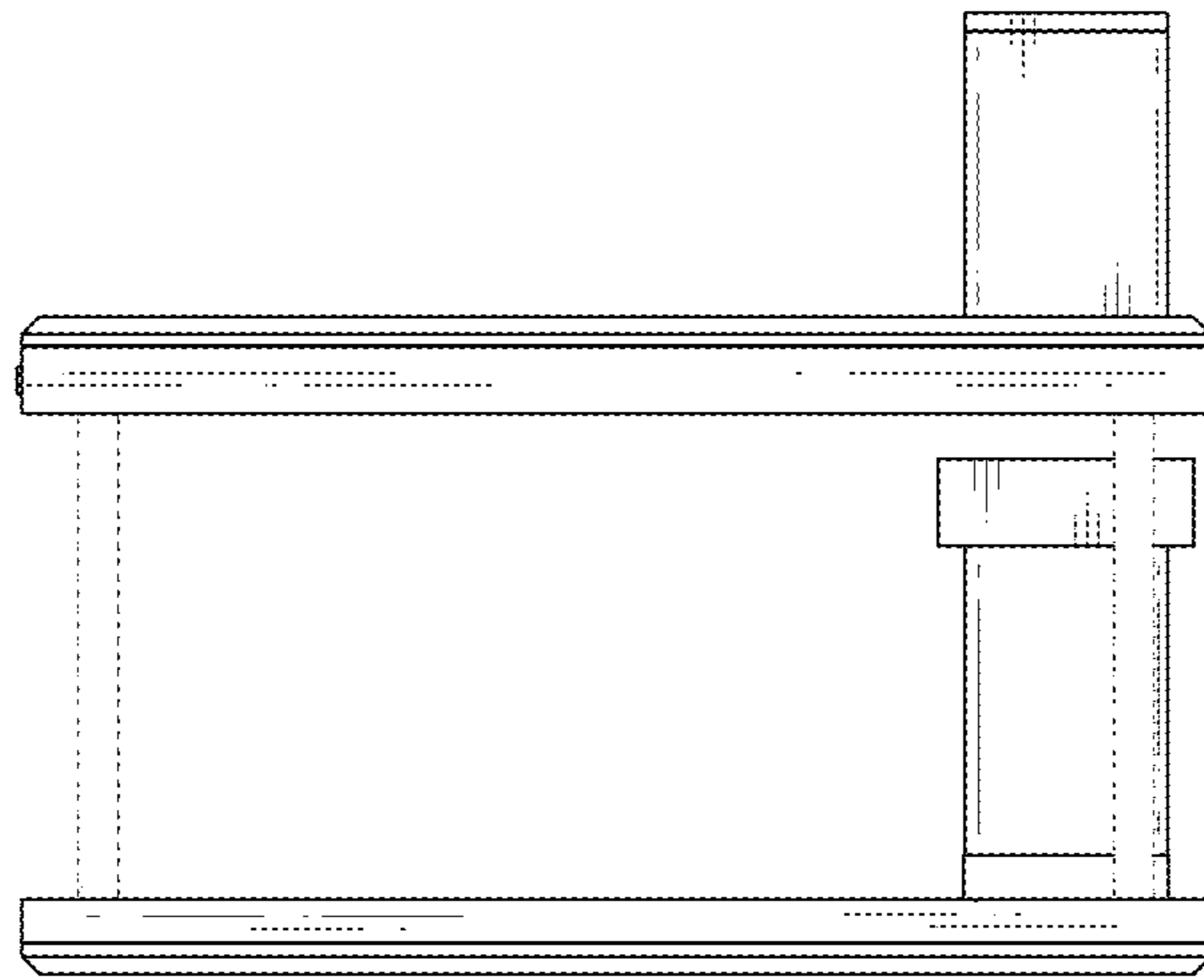
1.4



1.5

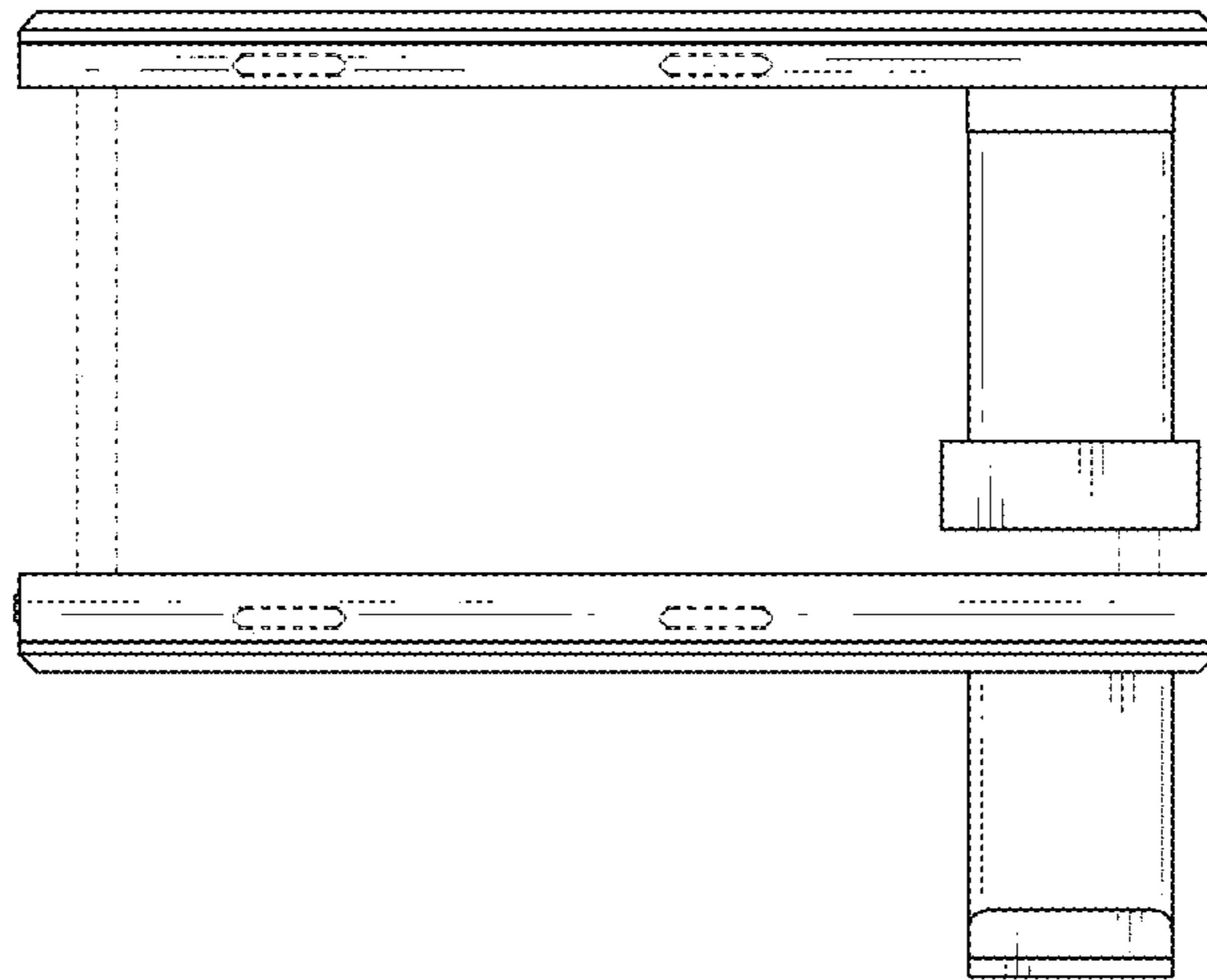


1.6

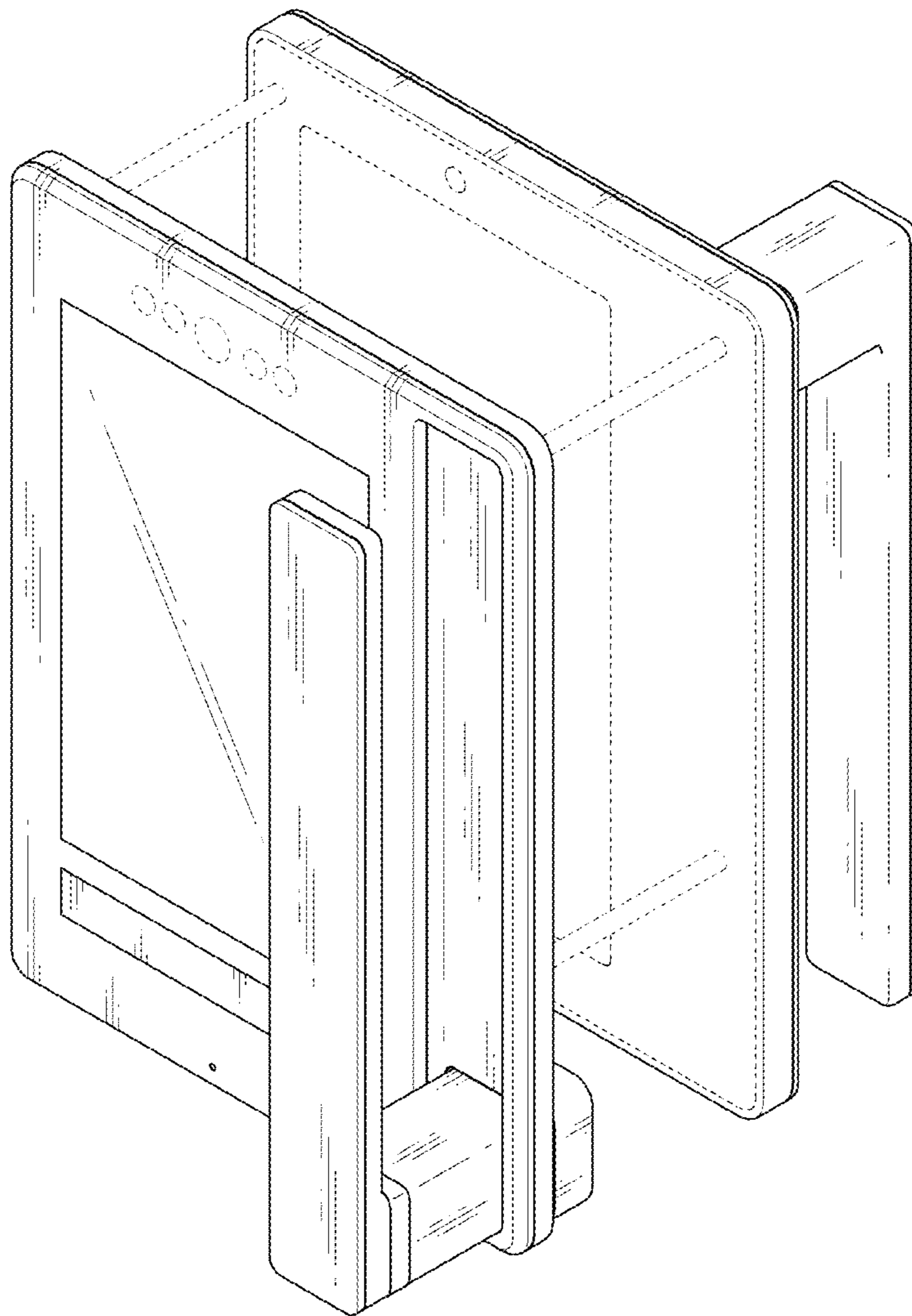




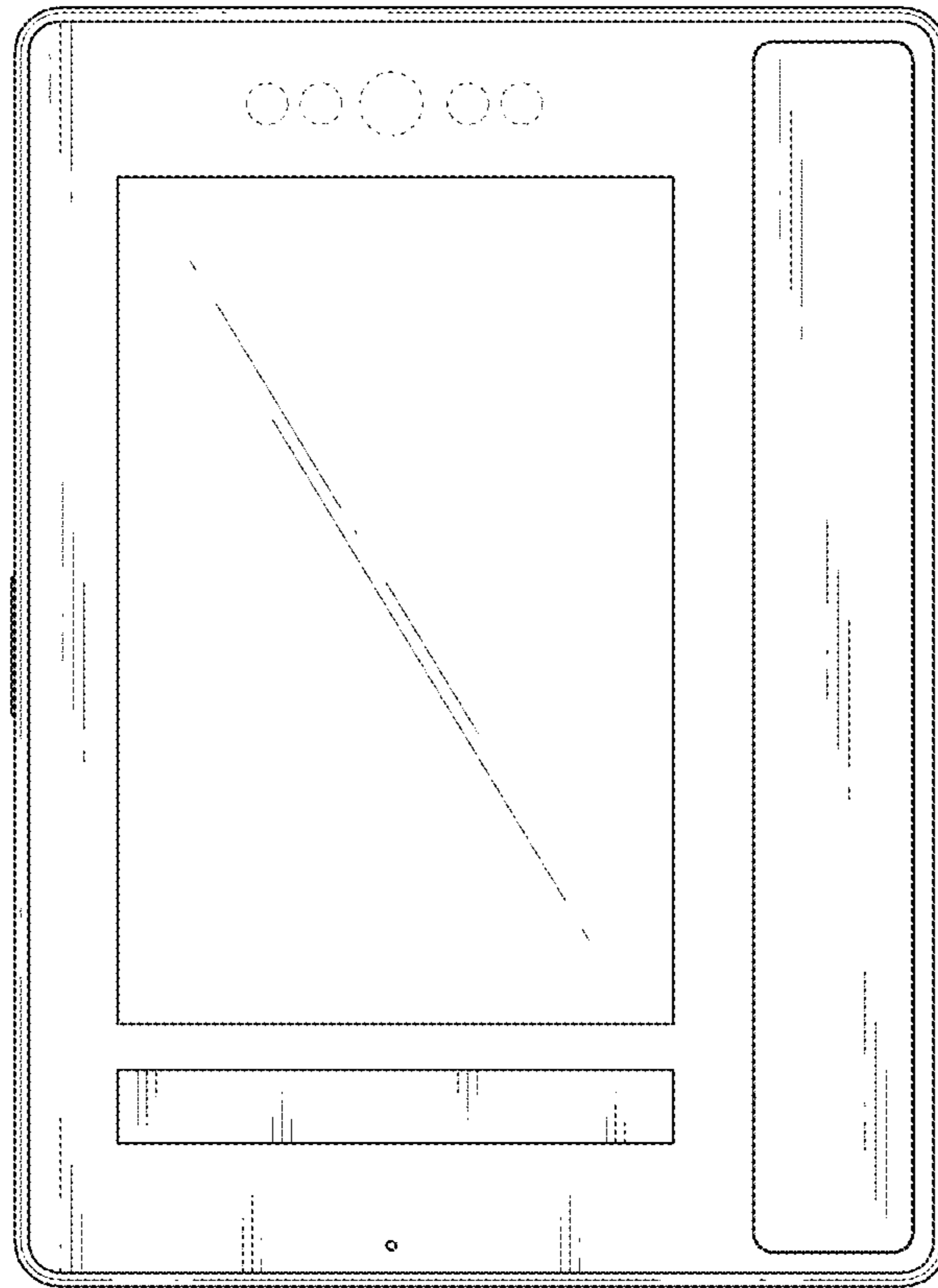
1.7



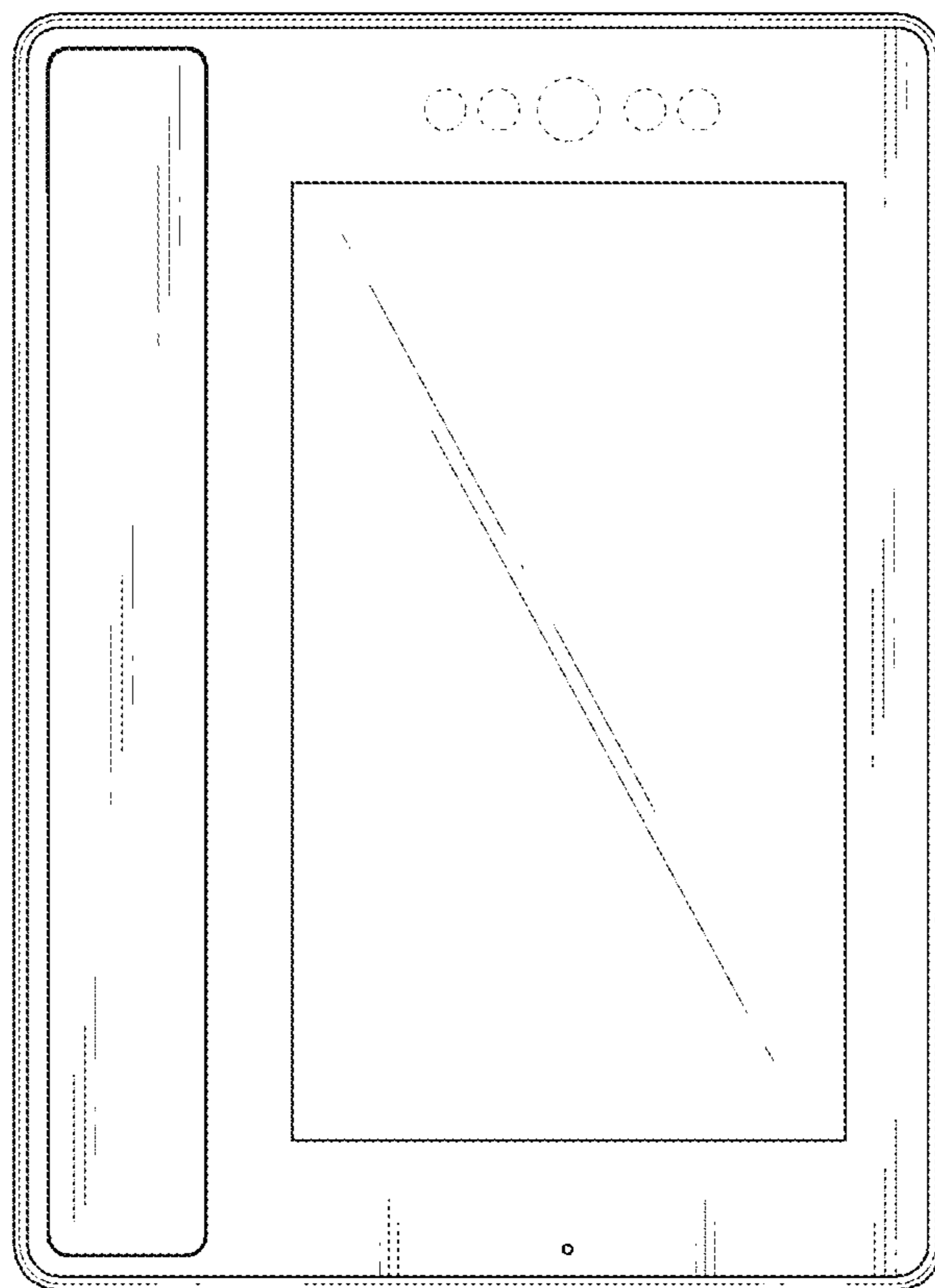
1.8



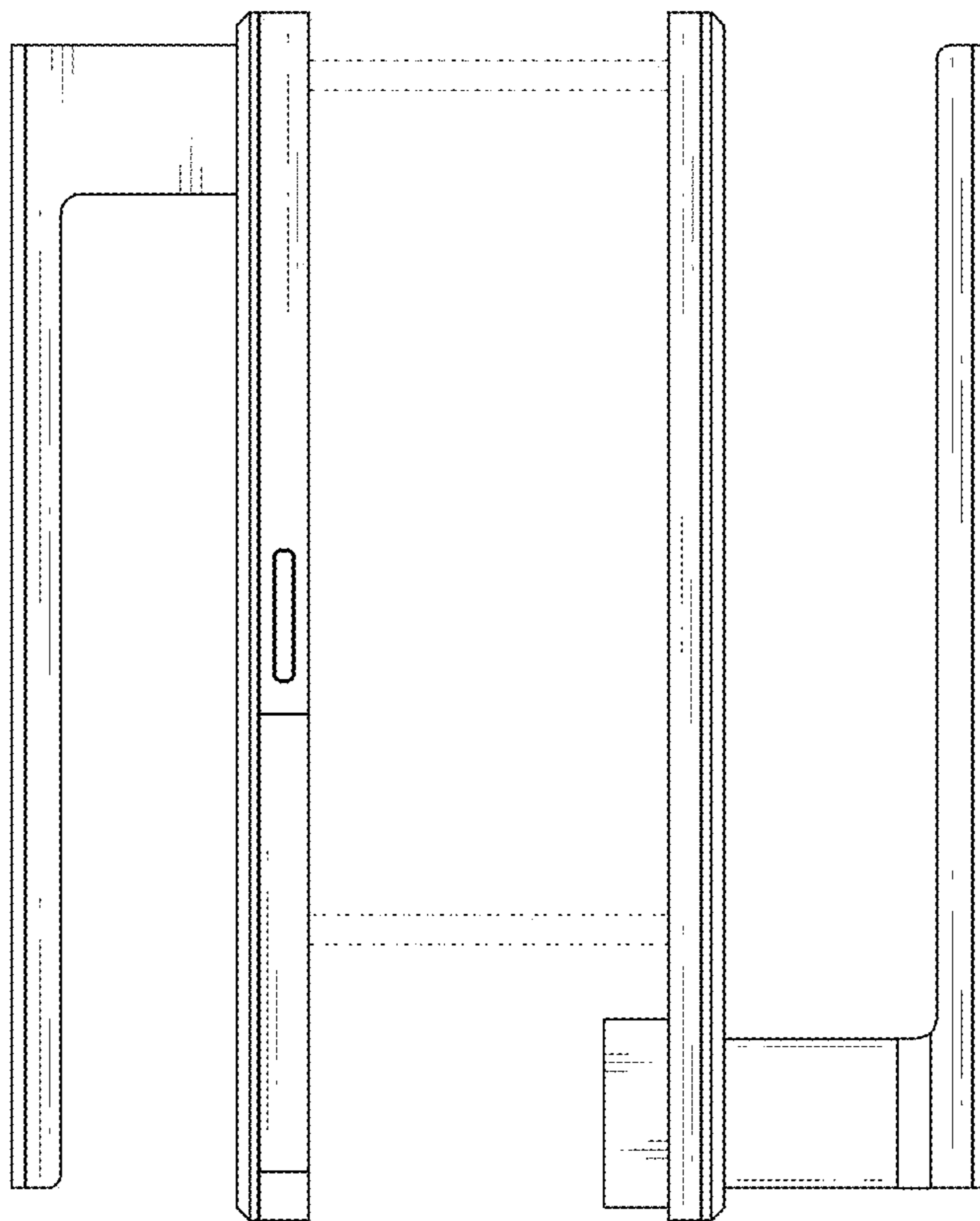
1.9



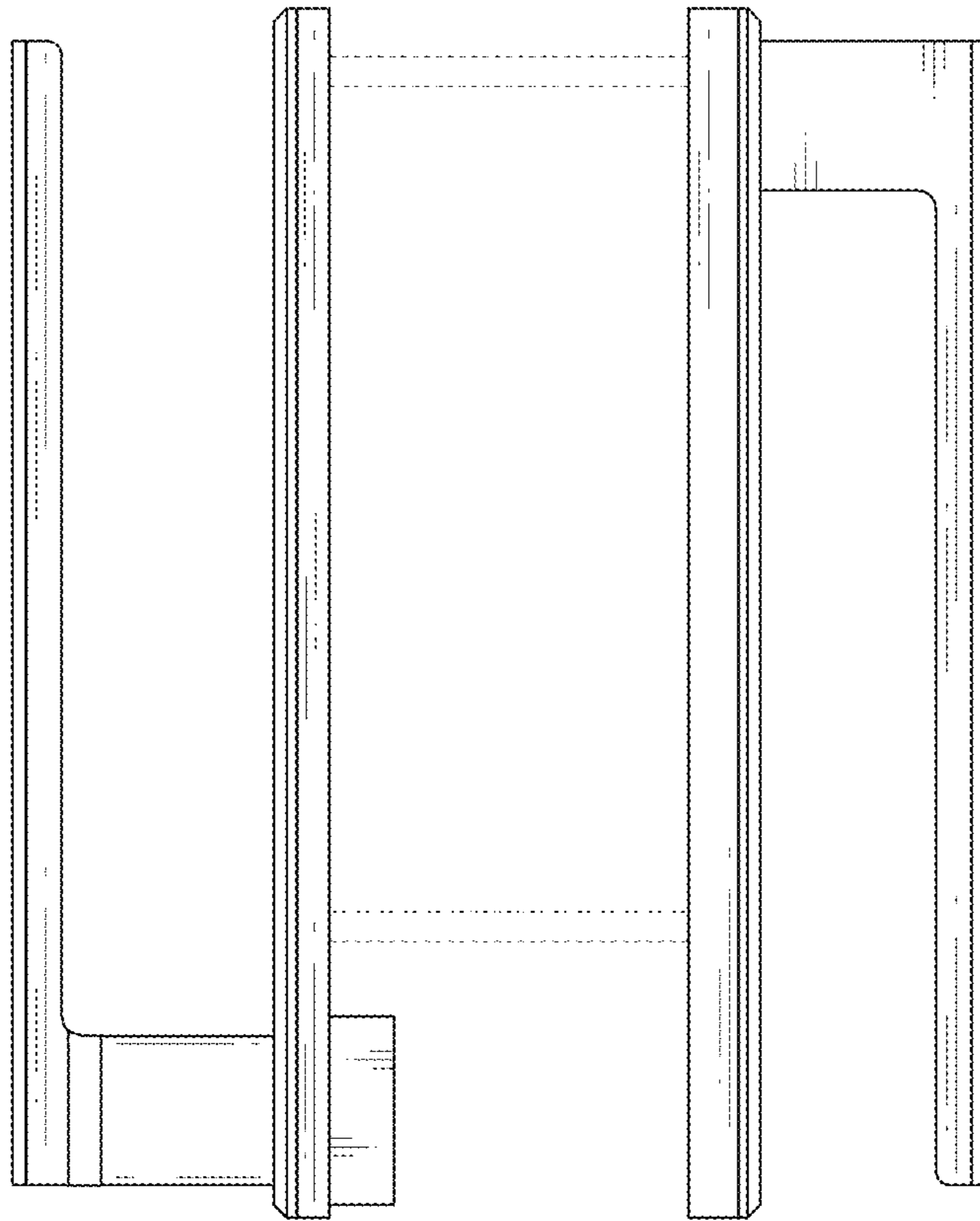
1.10



1.11

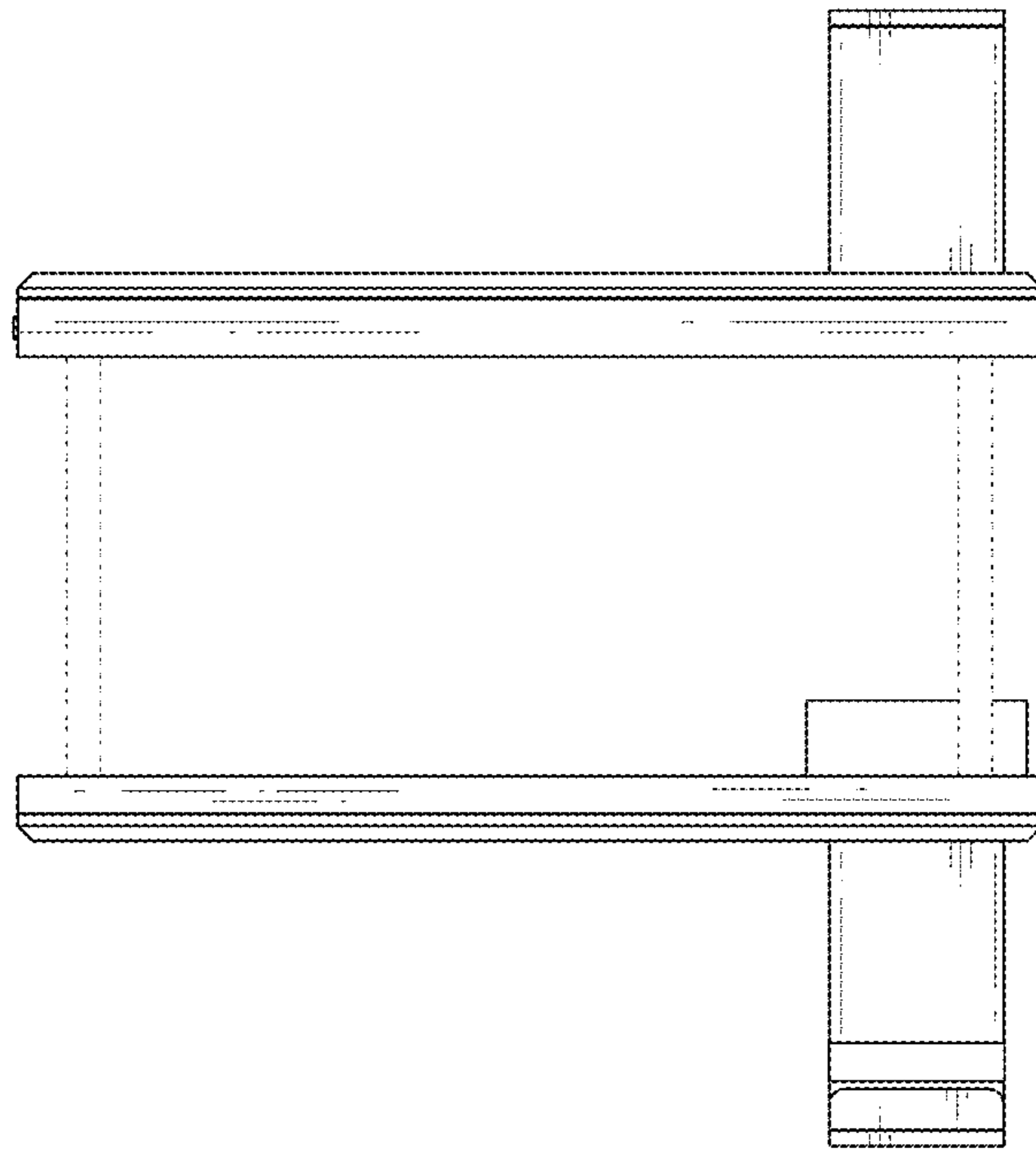


1.12





1.13



1.14

