



US00D923451S

(12) **United States Design Patent**  
**Kelsch et al.**

(10) **Patent No.:** **US D923,451 S**  
(45) **Date of Patent:** **\*\* Jun. 29, 2021**

(54) **MERCHANDISE ANTI-THEFT BRACKET**

(71) Applicants: **Christopher A. Kelsch**, Palm Harbor, FL (US); **Vanguard Products Group, Inc.**, Oldsmar, FL (US)

(72) Inventors: **Christopher A. Kelsch**, Palm Harbor, FL (US); **Wade Zhu**, Tampa, FL (US); **Lee Eckert**, Sarasota, FL (US)

(73) Assignee: **Vanguard Products Group, Inc.**, Oldsmar, FL (US)

(\*\*) Term: **15 Years**

(21) Appl. No.: **29/768,269**

(22) Filed: **Jan. 28, 2021**

(51) **LOC (13) Cl.** ..... **08-07**

(52) **U.S. Cl.**  
USPC ..... **D8/330**

(58) **Field of Classification Search**  
USPC ..... D8/330  
CPC ..... E05B 73/0017; E05B 73/0023; E05B 73/0082; A47F 7/0246; A47F 7/14  
See application file for complete search history.

(56) **References Cited**

**U.S. PATENT DOCUMENTS**

D552,449 S *	10/2007	Kotze .....	D8/330
D609,075 S *	2/2010	Remark .....	D8/330
9,169,670 B2 *	10/2015	Shute .....	G08B 13/1472
D750,612 S	3/2016	Chen	
D759,005 S	6/2016	Murakami	
D772,217 S	11/2016	Alesi et al.	
D772,218 S	11/2016	Alesi et al.	
D773,449 S	12/2016	Mellano et al.	
D777,167 S	1/2017	Wengreen	

D780,168 S	2/2017	Du	
D798,305 S	9/2017	Wengreen	
D798,306 S	9/2017	Wengreen	
9,797,543 B2 *	10/2017	Lin .....	E05B 73/0082
D831,660 S	10/2018	Yao et al.	
10,118,565 B2	11/2018	Kim	
D839,867 S	2/2019	Zhao	
D840,994 S	2/2019	Balmer	
D840,995 S	2/2019	Balmer	
10,323,440 B1 *	6/2019	Kelsch .....	E05B 73/0064
D854,537 S	7/2019	Ackeret et al.	
D860,915 S	9/2019	Tang	
10,750,885 B2 *	8/2020	Hyma .....	E05B 73/0082
2015/0201723 A1	7/2015	Rayner et al.	

\* cited by examiner

*Primary Examiner* — Doris Clark

(74) *Attorney, Agent, or Firm* — Andriy Lytvyn; Anton J. Hopen; Smith & Hopen, P.A.

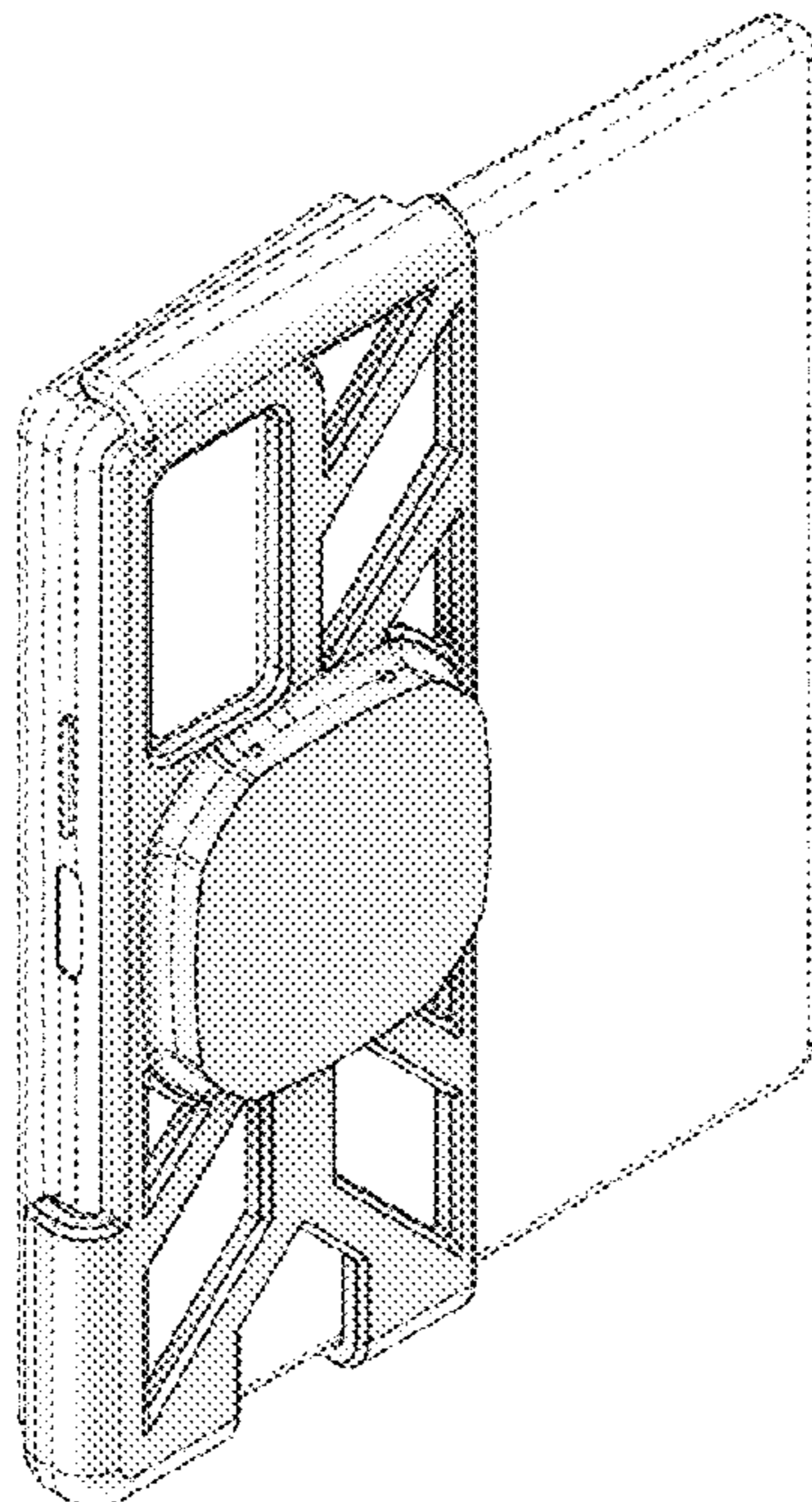
(57) **CLAIM**

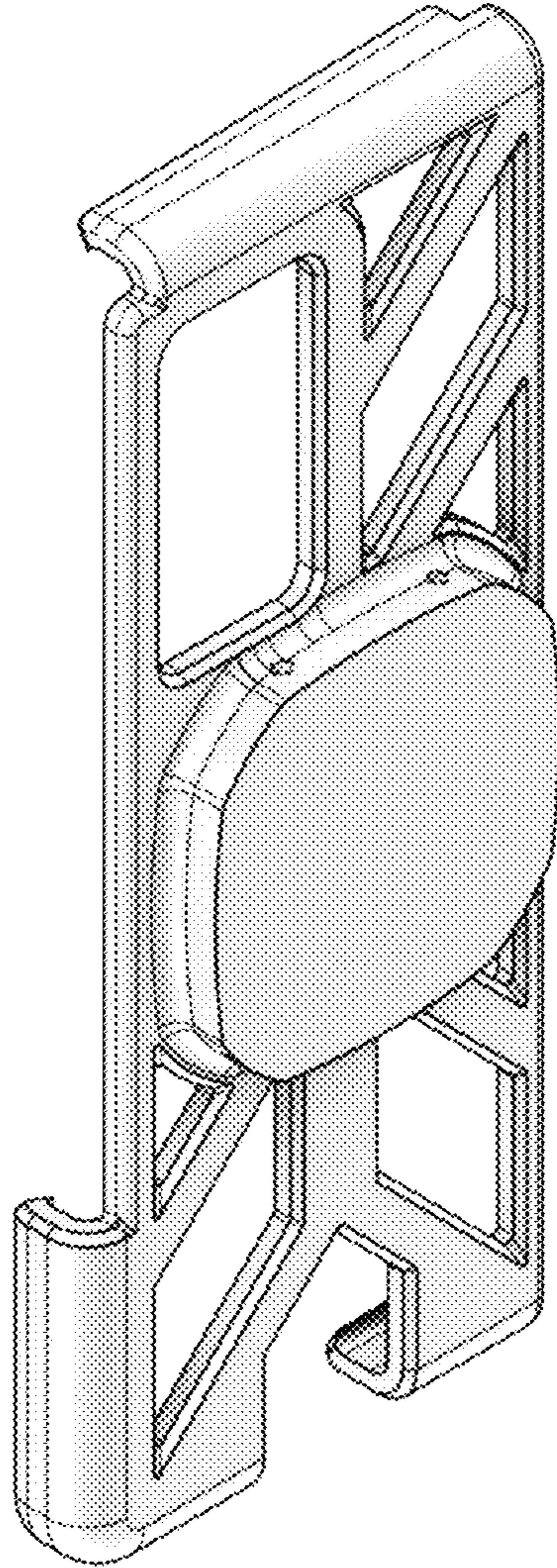
The ornamental design for a merchandise anti-theft bracket, as shown and described.

**DESCRIPTION**

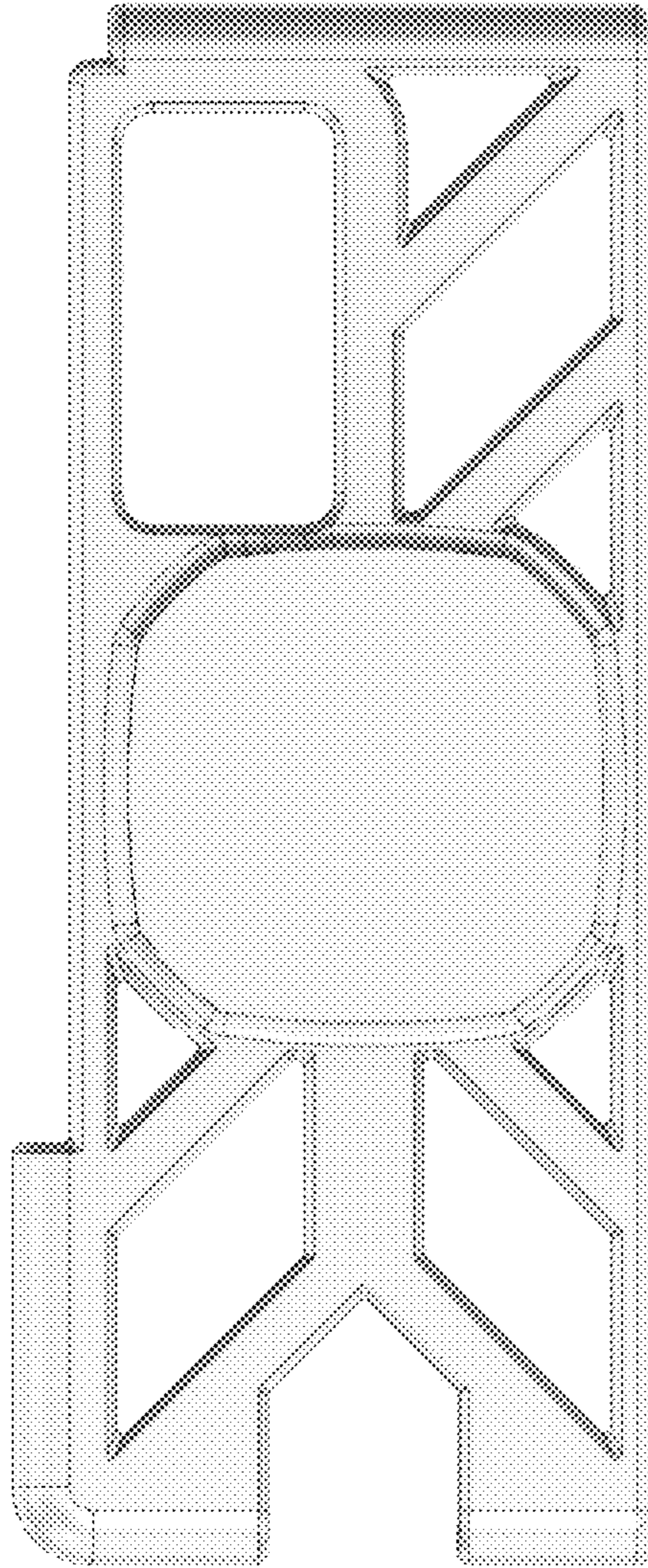
FIG. 1 is a perspective back view of a merchandise anti-theft bracket showing the claimed design;  
FIG. 2 is a back view thereof;  
FIG. 3 is a perspective front view thereof;  
FIG. 4 is a perspective back view thereof with merchandise secured therein;  
FIG. 5 is a back view thereof with merchandise secured therein; and,  
FIG. 6 is a perspective front view thereof with merchandise secured therein.  
The grey color depicted in the drawings is used to represent shading.

**1 Claim, 6 Drawing Sheets**

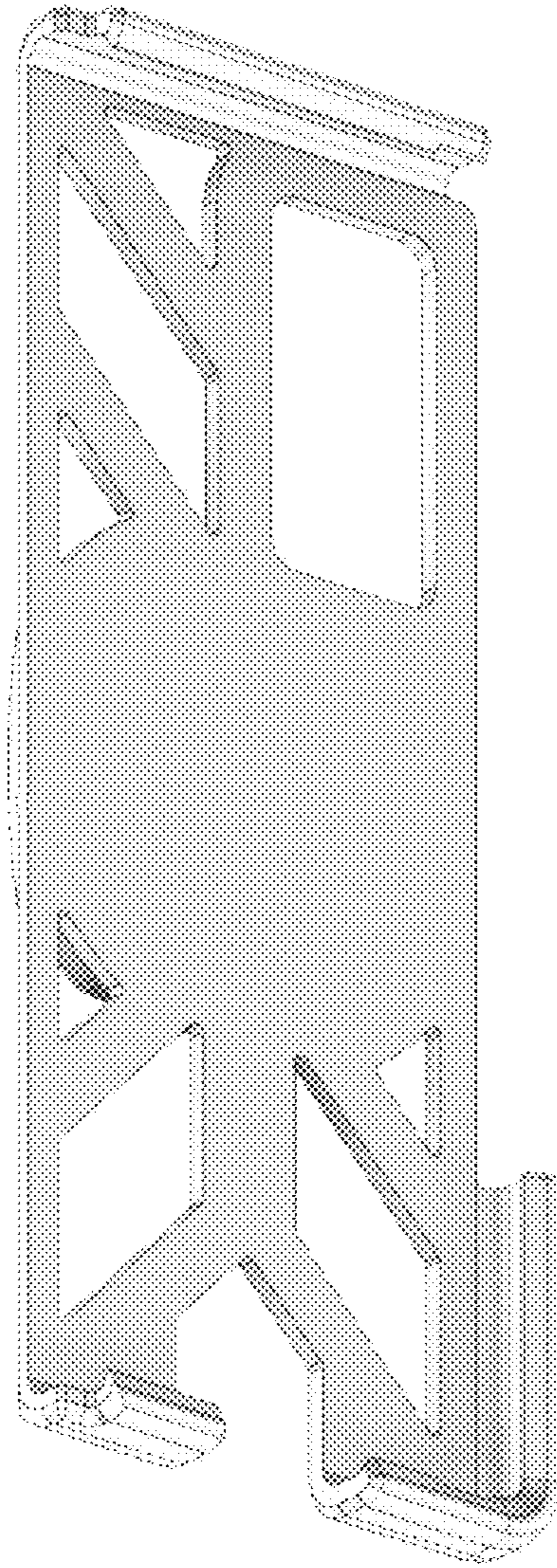




*FIG. 1*



*FIG. 2*



*FIG. 3*

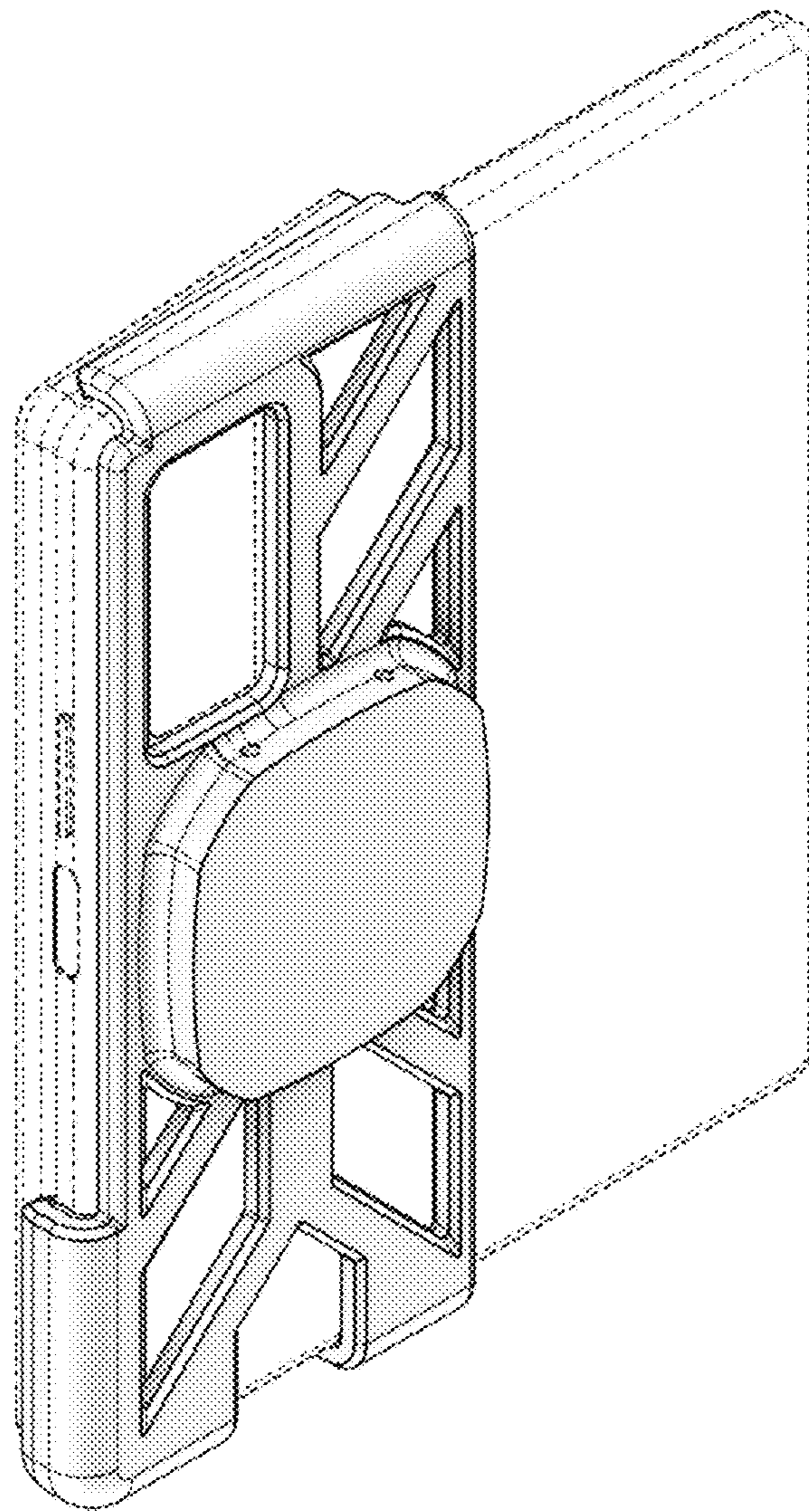
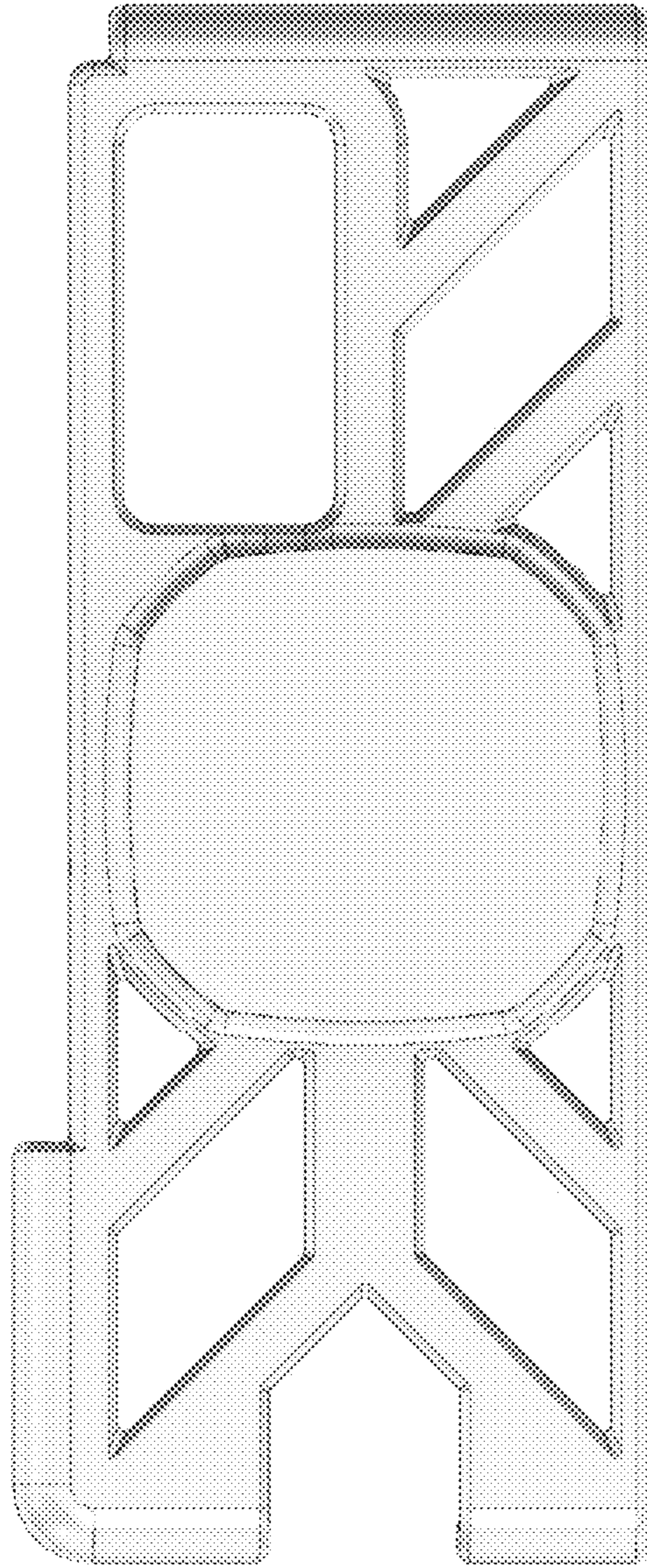


FIG.4



*FIG. 5*

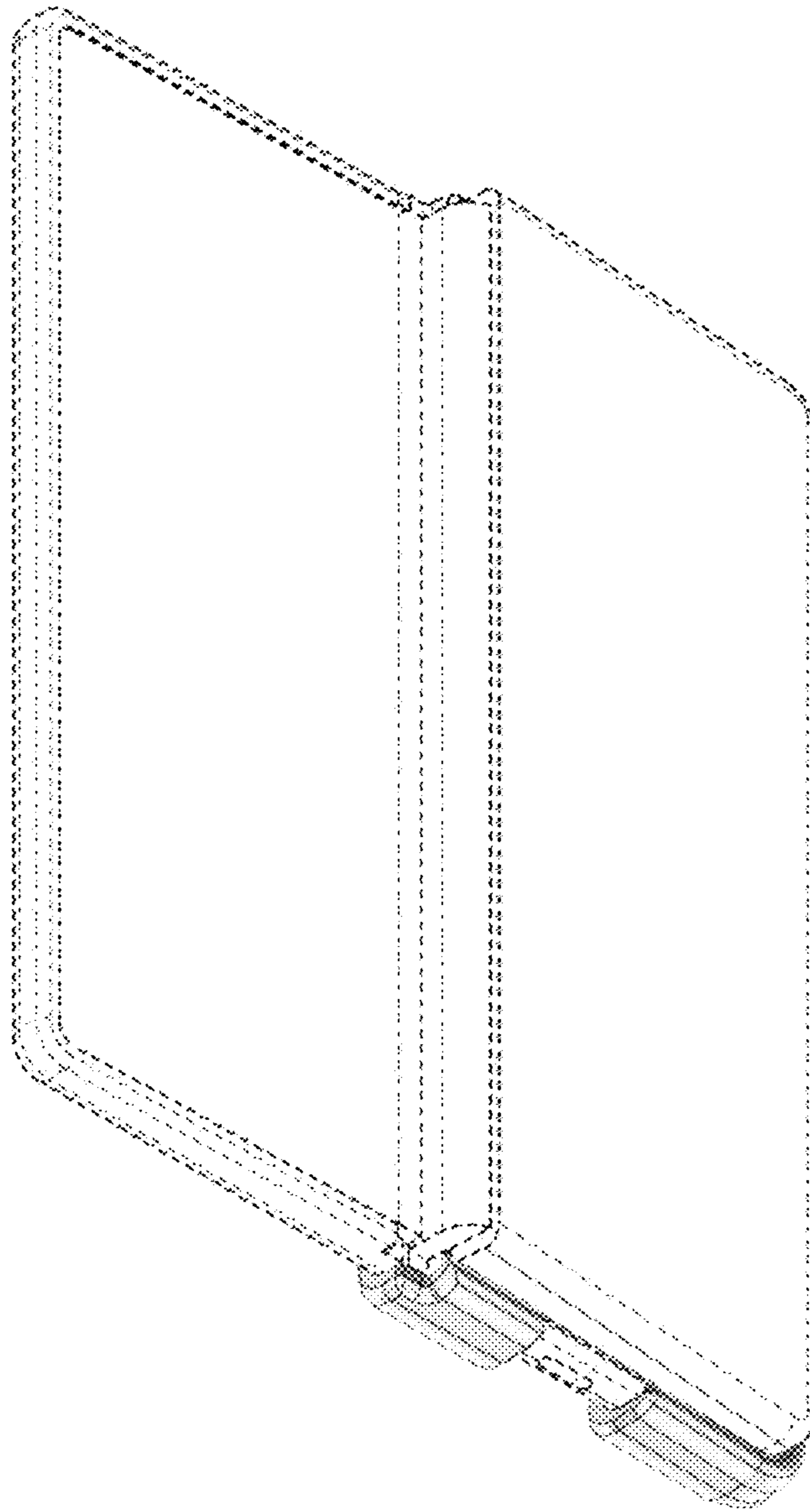


FIG. 6