



US00D923450S

(12) **United States Design Patent**
Chen et al.

(10) **Patent No.:** **US D923,450 S**
(45) **Date of Patent:** **** Jun. 29, 2021**

(54) **HANDLE**

77/06; E05B 79/06; E05B 85/18; E05B
85/12; E05B 85/10; E05B 7/00; E05B
1/0053; E05B 77/265

(71) Applicant: **Shenzhen Leqi Network Technology
Co., LTD**, Shenzhen (CN)

See application file for complete search history.

(72) Inventors: **Paihan Chen**, Guangdong (CN);
Xingxing Yuan, Guangdong (CN)

(56) **References Cited**

(73) Assignee: **SHENZHEN LEQI NETWORK
TECHNOLOGY CO., LTD.**, Shenzhen
(CN)

U.S. PATENT DOCUMENTS

(**) Term: **15 Years**

D315,847 S *	4/1991	Sebillotte	D7/358
D319,380 S *	8/1991	Politzer	D8/306
5,634,357 A *	6/1997	Nutter	E05B 13/106 70/203
D385,768 S *	11/1997	Nutter	D8/308
D488,983 S *	4/2004	Linares	D8/301
D521,846 S *	5/2006	Toikka	D8/308
7,819,443 B2 *	10/2010	Ryan	E05C 3/043 292/336.3

(21) Appl. No.: **29/727,765**

(22) Filed: **Mar. 13, 2020**

(Continued)

(30) **Foreign Application Priority Data**

Primary Examiner — Lauren R Calve

Sep. 30, 2019 (CN) 201930543165.7

(74) *Attorney, Agent, or Firm* — Andrew C. Cheng

(51) **LOC (13) Cl.** **08-06**

(52) **U.S. Cl.**
USPC **D8/308**

(57) **CLAIM**

We claim the ornamental design for a handle, as shown and described.

(58) **Field of Classification Search**

DESCRIPTION

USPC D8/300–302, 307–309; D23/250, 252
CPC Y10T 16/44; Y10T 74/20612; Y10T
74/20732; Y10T 16/458; Y10T 16/498;
Y10T 16/469; Y10T 16/476; Y10T
74/20744; Y10T 74/20864; Y10T
16/4628; Y10T 74/20642; Y10T 16/473;
Y10T 74/20762; Y10T 74/2042; Y10T
74/20828; Y10T 16/459; Y10T 16/4713;
Y10T 74/2014; Y10T 16/50; Y10T
74/20438; Y10T 74/20582; Y10T
74/20738; Y10T 16/48; Y10T 74/20618;
Y10T 74/20684; Y10T 74/20624; Y10T
74/20468; Y10T 16/61; Y10T 16/4719;
Y10T 16/86; Y10S 16/30; Y10S 292/31;
Y10S 292/53; Y10S 16/12; Y10S 292/23;
Y10S 292/27; Y10S 292/30; Y10S
292/63; E05B 5/16; E05B 1/0015; E05B

FIG. 1 is a top perspective view of a handle according to our design.

FIG. 2 is a bottom perspective view of the handle of FIG. 1.

FIG. 3 is a second top perspective view of the handle of FIG. 1.

FIG. 4 is a front view of the handle of FIG. 1.

FIG. 5 is a rear view of the handle of FIG. 1.

FIG. 6 is a left side view of the handle of FIG. 1.

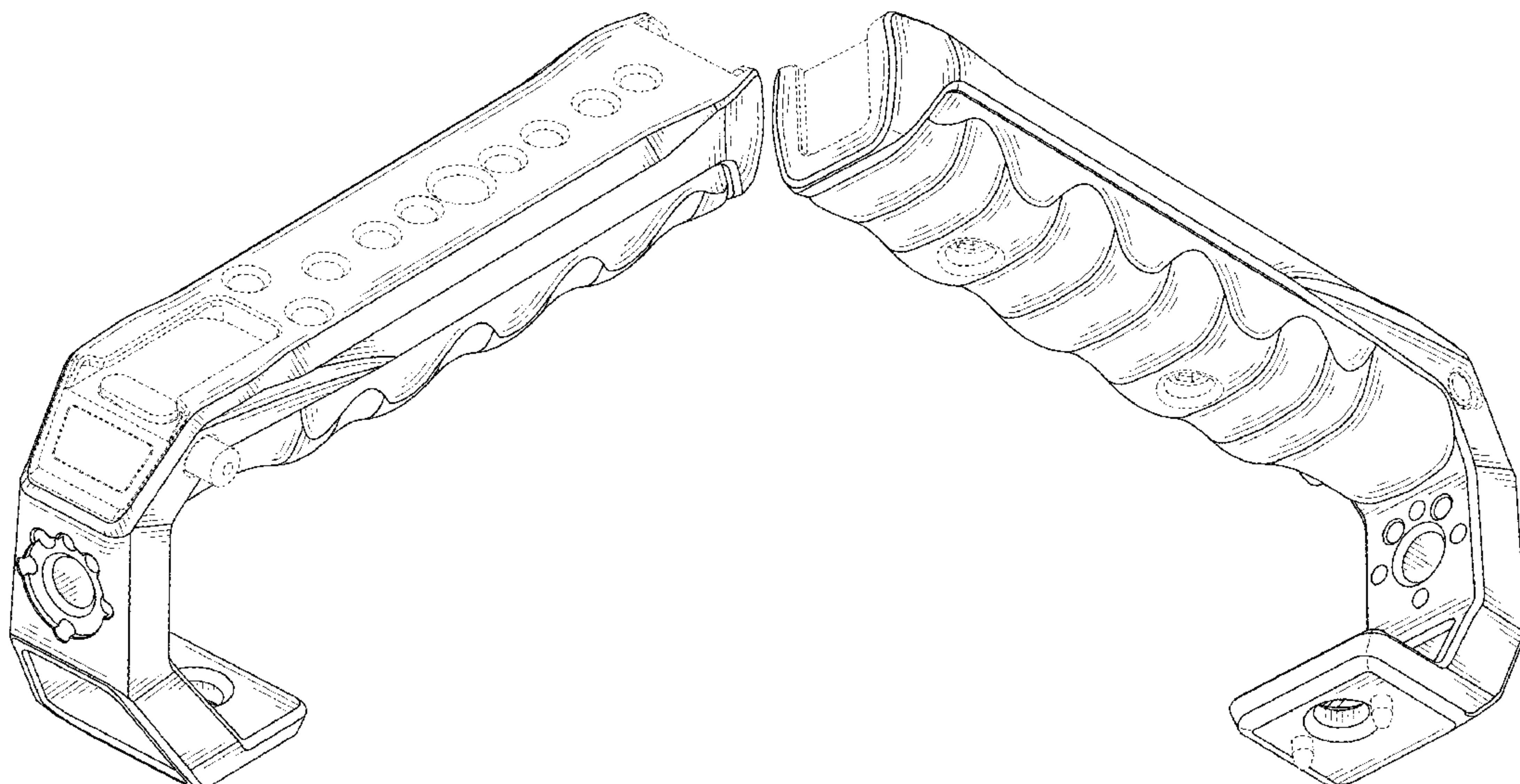
FIG. 7 is a right side view of the handle of FIG. 1.

FIG. 8 is a top view of the handle of FIG. 1; and,

FIG. 9 is a bottom view of the handle of FIG. 1.

The broken line showing of the environment is for illustrative purposes only and forms no part of the claimed design.

1 Claim, 6 Drawing Sheets



(56)

References Cited

U.S. PATENT DOCUMENTS

8,702,184 B2 * 4/2014 Lakoduk H02B 1/46
312/222
9,080,347 B2 * 7/2015 Le E05B 35/008

* cited by examiner

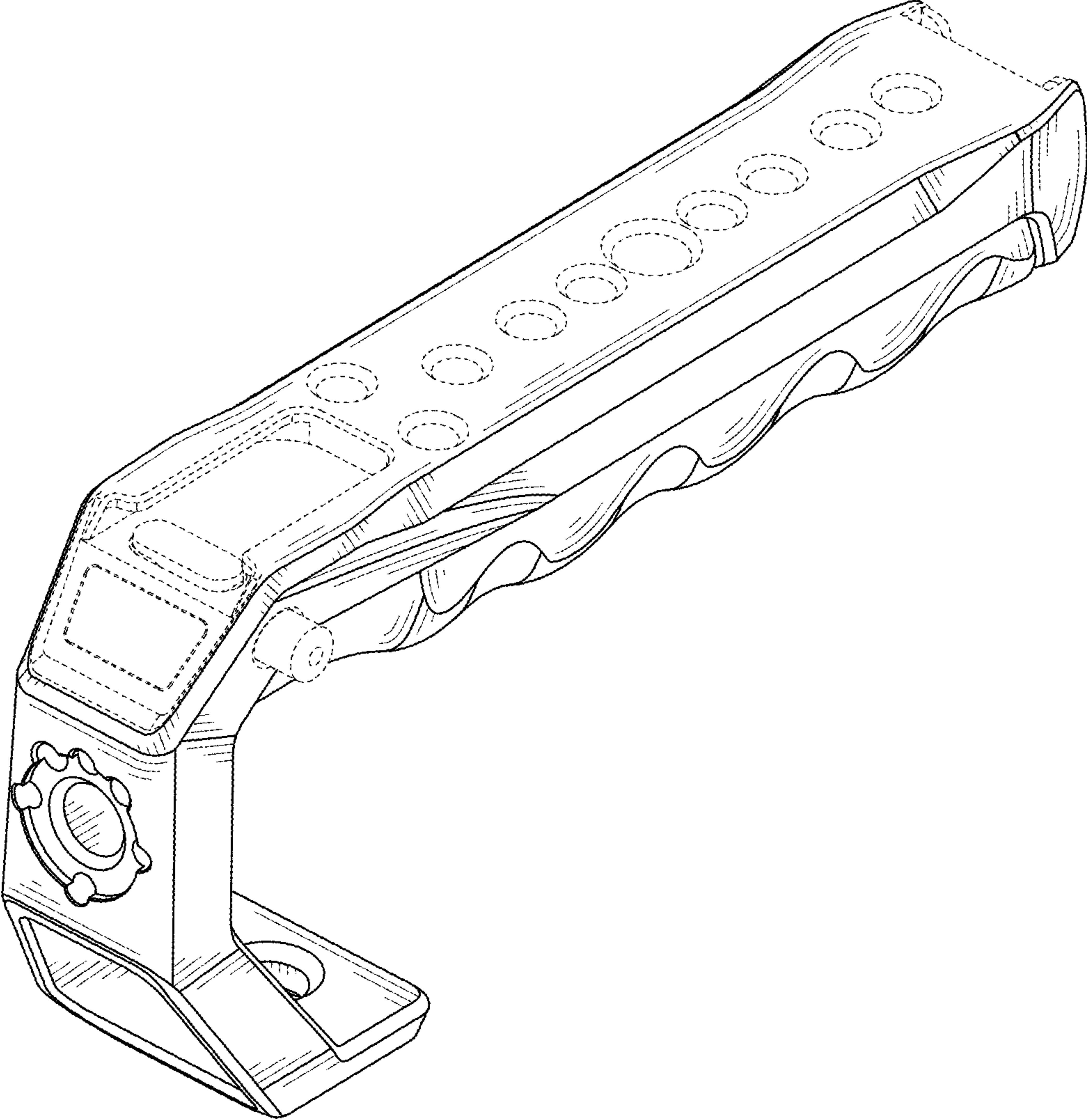


FIG. 1

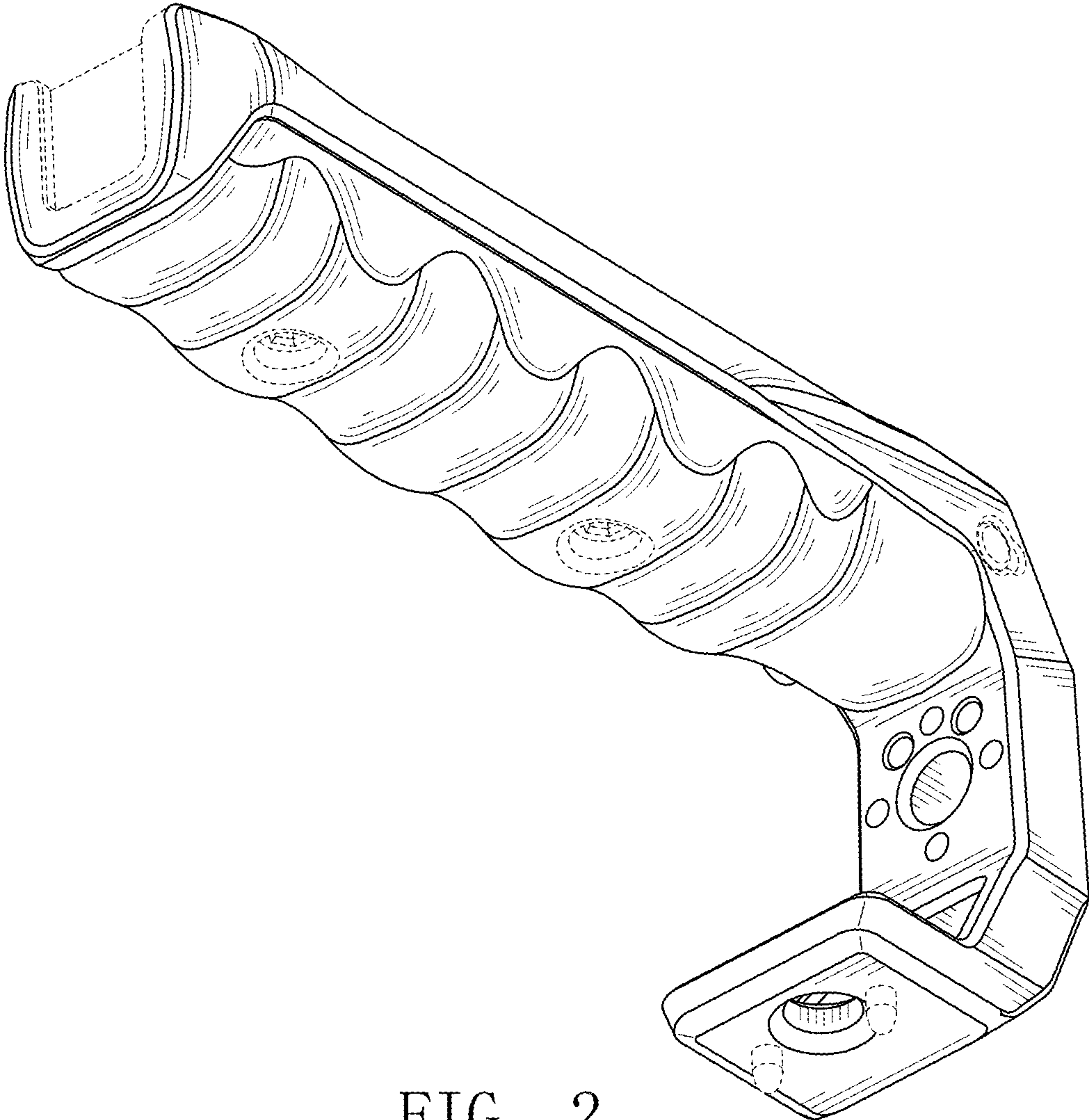


FIG. 2

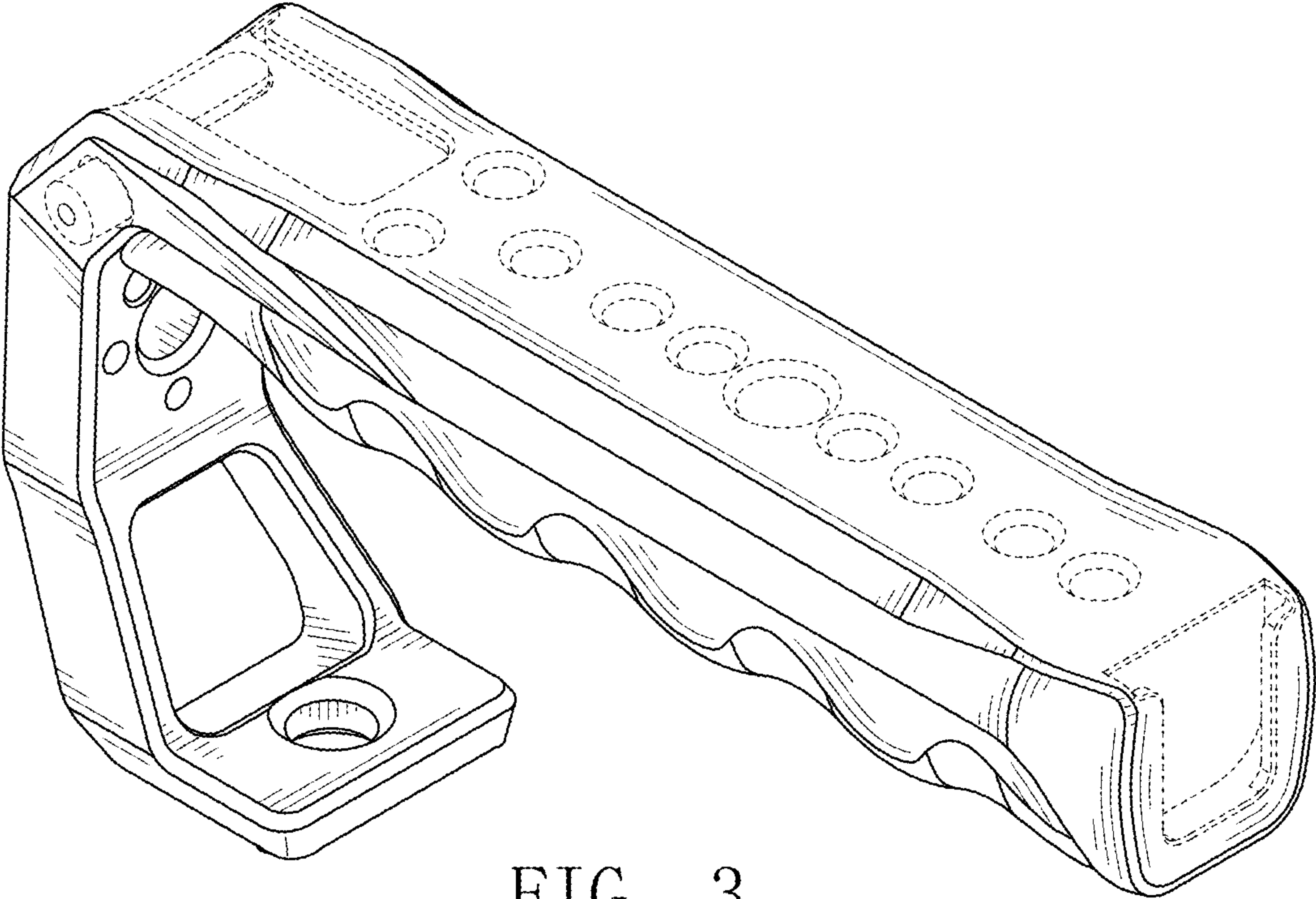


FIG. 3

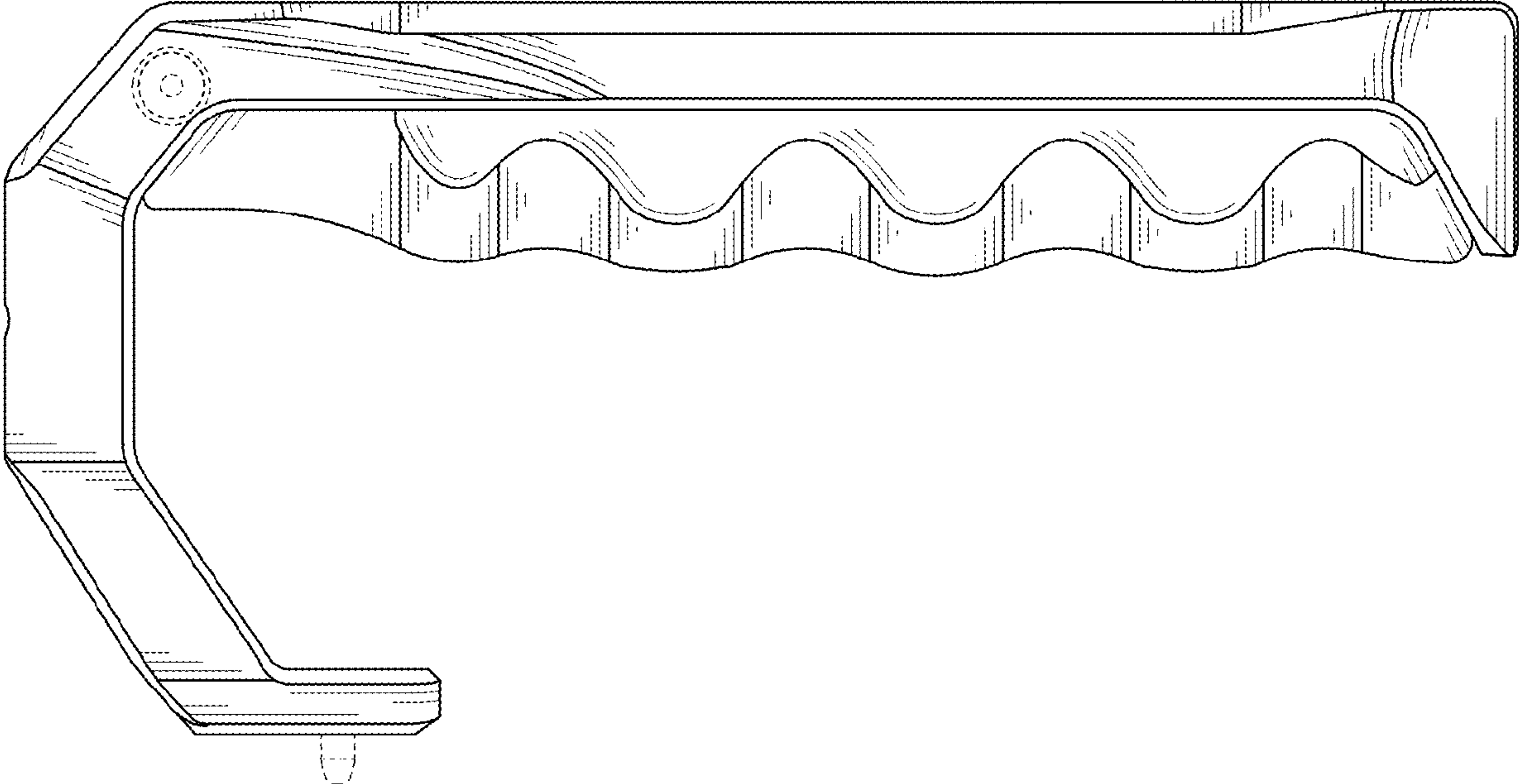


FIG. 4

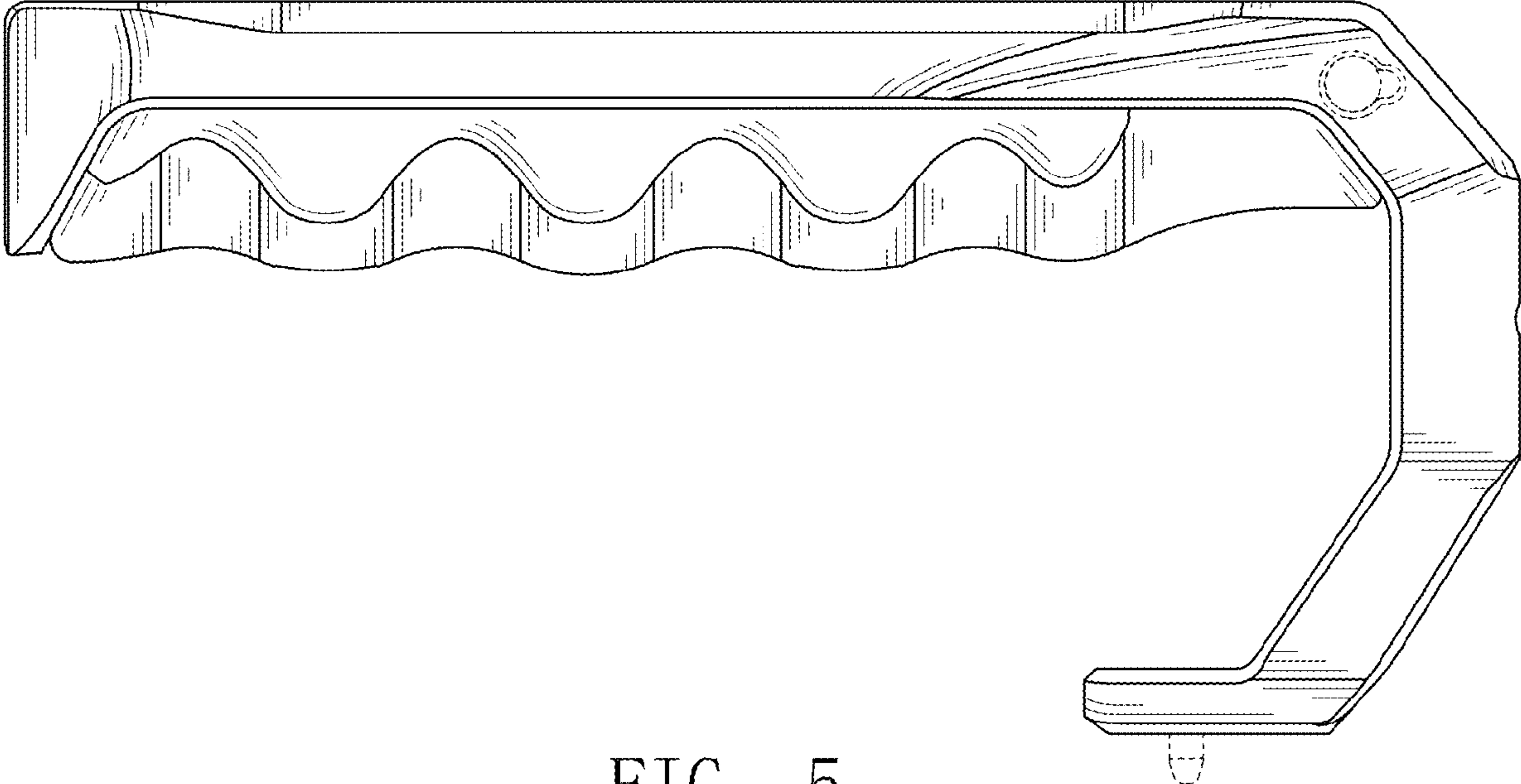


FIG. 5

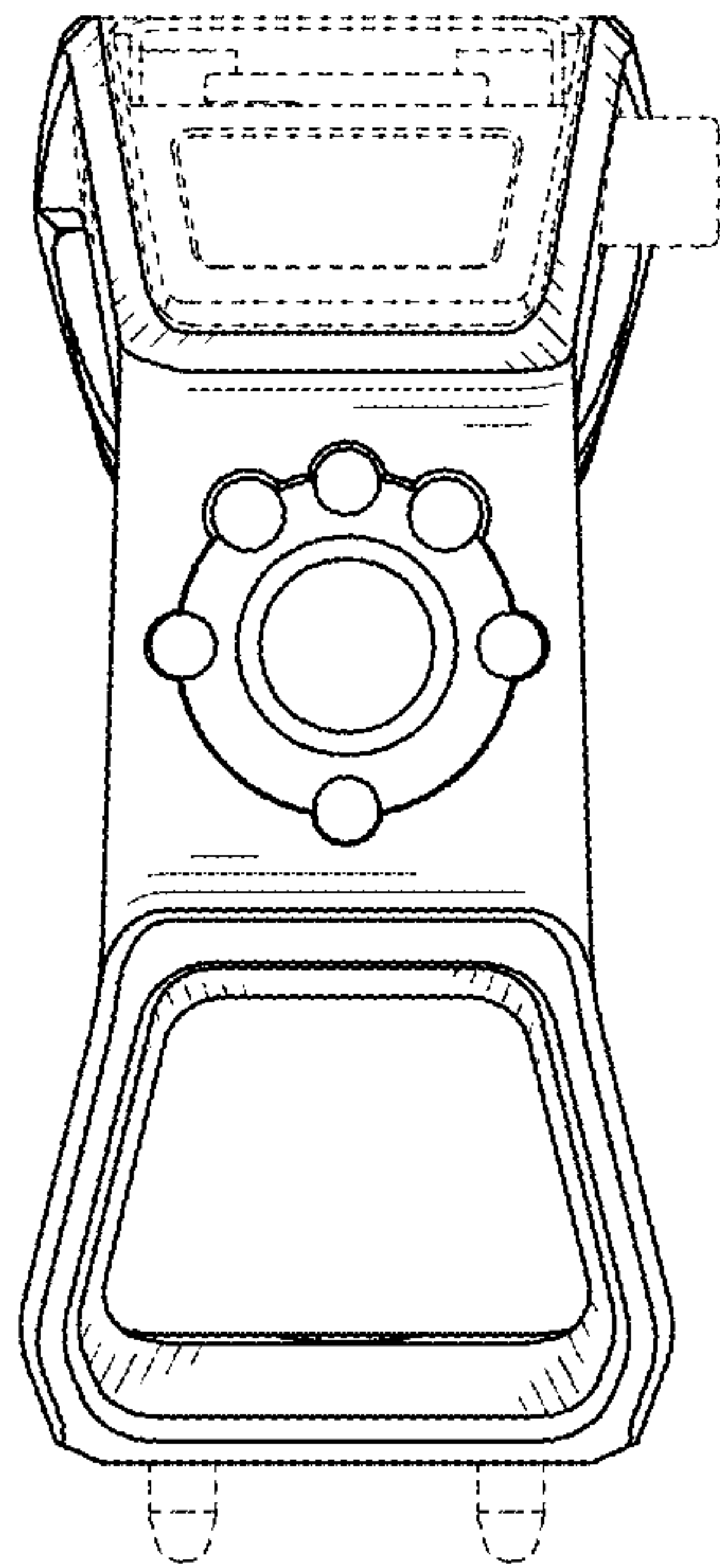


FIG. 6

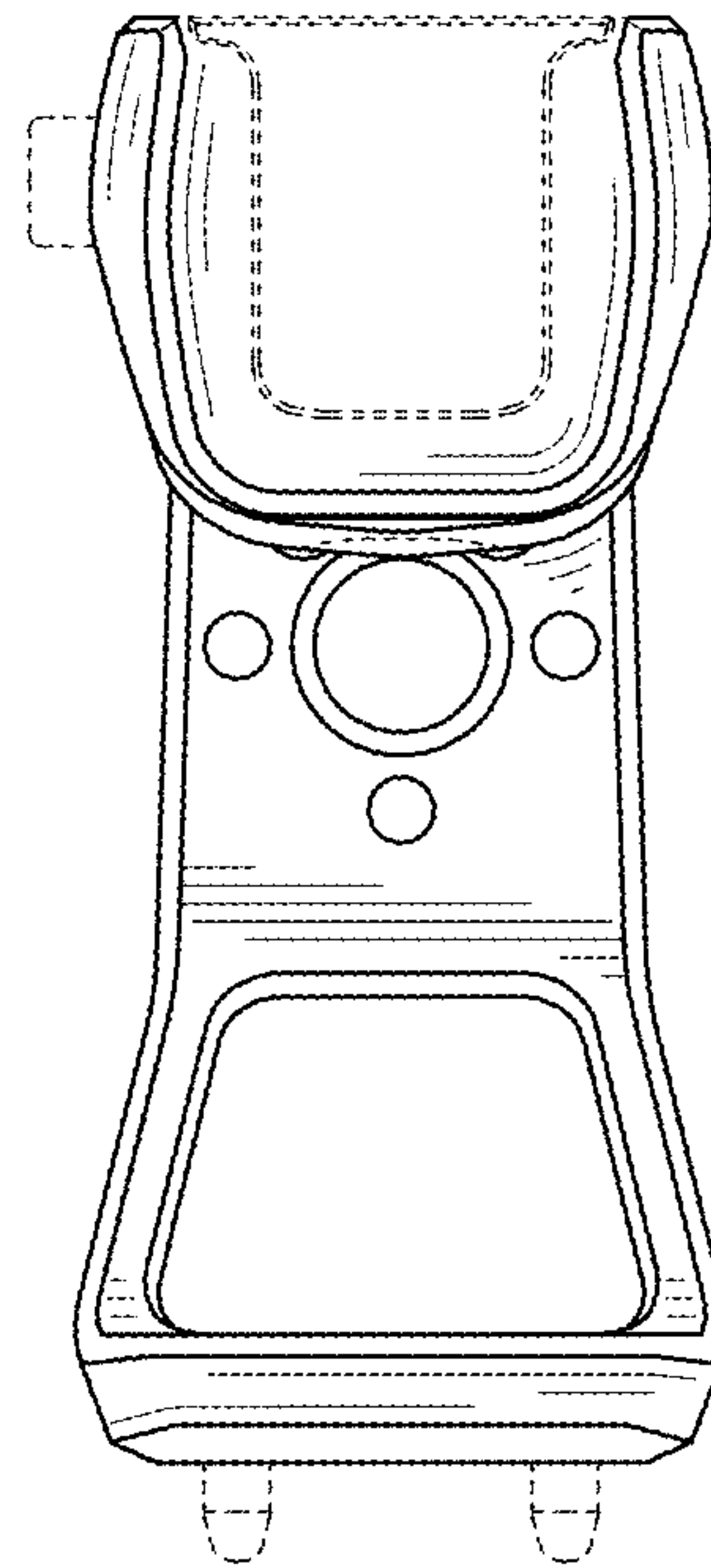


FIG. 7

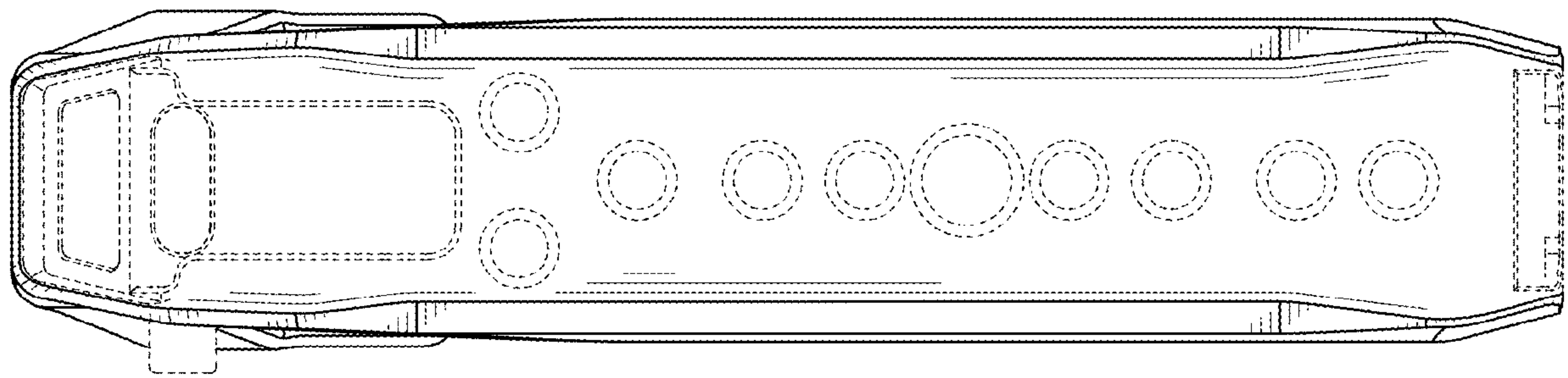


FIG. 8

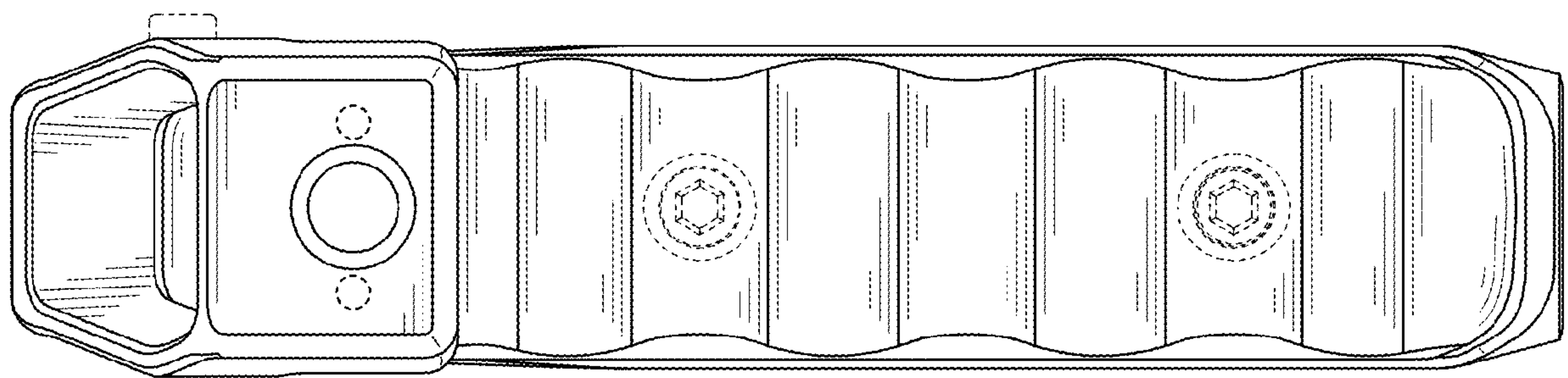


FIG. 9