



US00D923447S

(12) **United States Design Patent** (10) **Patent No.:** **US D923,447 S**
Hyma et al. (45) **Date of Patent:** **** Jun. 29, 2021**

(54) **CHISEL**

FOREIGN PATENT DOCUMENTS

(71) Applicant: **MILWAUKEE ELECTRIC TOOL CORPORATION**, Brookfield, WI (US)

CN 201922428 U 8/2011
CN 302040858 S 8/2012

(Continued)

(72) Inventors: **Steven W. Hyma**, Milwaukee, WI (US); **Anthony R. Erickson**, Milwaukee, WI (US); **Max R. Sawa**, Palatine, IL (US); **Tobias Berg**, Pfullendorf (DE); **Nicolai Rumpel**, Bingen (DE)

OTHER PUBLICATIONS

Javier. "New Milwaukee Masonry, Concrete, and Tile Drilling Accessories." Tool Craze., Jul. 2, 2020 [online], [retrieved on Jan. 31, 2021], Retrieved from the Internet <URL: <https://toolcraze.net/new-milwaukee-masonry-concrete-and-tile-drilling-accessories/>>.*

(73) Assignees: **MILWAUKEE ELECTRIC TOOL CORPORATION**, Brookfield, WI (US); **DREBO WERKZEUGFABRIK GMBH**, Altshausen (DE)

Primary Examiner — Darlington Ly

(74) *Attorney, Agent, or Firm* — Michael Best & Friedrich LLP

(**) Term: **15 Years**

(57) **CLAIM**

We claim the ornamental design for a chisel, as shown and described.

(21) Appl. No.: **29/690,098**

(22) Filed: **May 6, 2019**

DESCRIPTION

(51) **LOC (13) Cl.** **08-05**

(52) **U.S. Cl.**
USPC **D8/70; D8/47**

(58) **Field of Classification Search**
USPC D8/14, 20, 47, 70; D15/21, 28, 29, 139; D24/146; D32/46
CPC B25D 3/00; B25D 11/102; B25D 17/005
See application file for complete search history.

FIG. 1 is a front perspective view of a chisel showing our new design in accordance to a first embodiment; FIG. 2 is a front elevation view thereof; FIG. 3 is a rear elevation view thereof; FIG. 4 is a bottom plan view thereof; FIG. 5 is a top plan view thereof; FIG. 6 is a right side elevation view thereof; and FIG. 7 is a left side elevation view thereof. FIG. 8 is a front perspective view of a chisel showing our new design in accordance to a second embodiment; FIG. 9 is a front elevation view thereof; FIG. 10 is a rear elevation view thereof; FIG. 11 is a bottom plan view thereof; FIG. 12 is a top plan view thereof; FIG. 13 is a right side elevation view thereof; and, FIG. 14 is a left side elevation view thereof.

The broken lines in the drawings illustrate portions of the chisel that form no part of the claimed design. The dash-

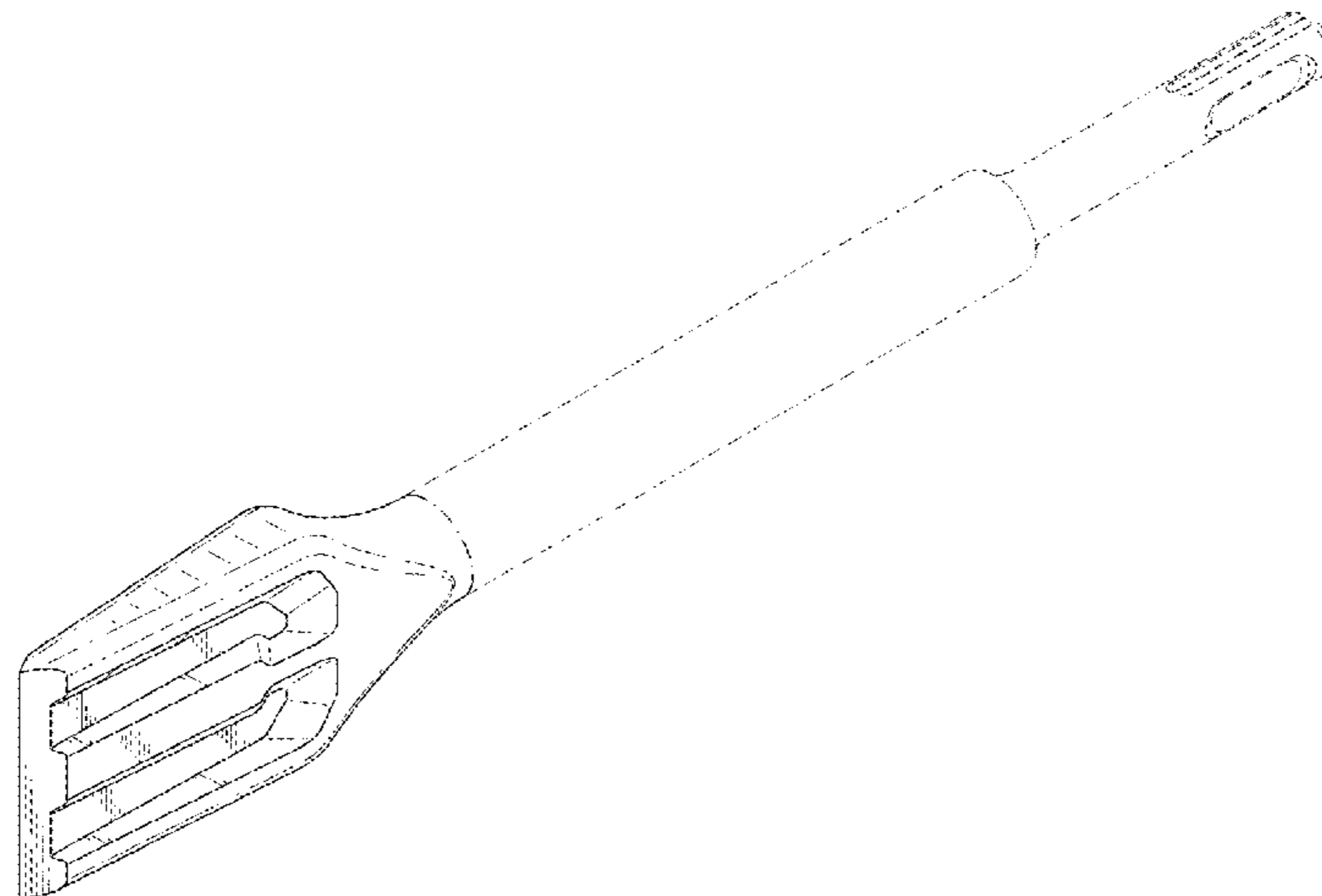
(Continued)

(56) **References Cited**

U.S. PATENT DOCUMENTS

1,350,241 A 8/1920 Routh
1,570,650 A 1/1926 Thomson
2,028,993 A 1/1936 Pollard
D137,744 S * 4/1944 Gunderson D8/47
2,629,588 A 2/1953 Neamand
2,900,178 A 8/1959 Harrison et al.

(Continued)



dot-dash broken lines are provided for the purpose of illustrating a boundary of the claimed design.

1 Claim, 8 Drawing Sheets

(56)

References Cited

U.S. PATENT DOCUMENTS

3,027,953	A	4/1962	Coski	
3,043,002	A	7/1962	Brown	
3,044,169	A	7/1962	Brown	
3,258,295	A *	6/1966	Ives	E01C 23/124 299/100
3,636,955	A *	1/1972	Kurtz	A61B 17/3211 606/223
3,655,244	A	4/1972	Swisher	
4,030,553	A *	6/1977	Rockwell	B25D 17/02 173/1
4,089,562	A *	5/1978	Baumeister	B25D 17/02 125/36
4,111,060	A *	9/1978	Nerini	B23Q 5/027 144/35.2
4,144,868	A	3/1979	Heitbrink	
4,280,572	A	7/1981	Schmid et al.	
5,145,237	A	9/1992	Schulz et al.	
D346,103	S *	4/1994	Warner	D8/47
5,735,648	A	4/1998	Kleine	
6,076,431	A	6/2000	Vasudeva	
D482,252	S *	11/2003	Hyde	D8/47
D495,567	S *	9/2004	Gontar	B25D 3/00 D8/1
6,981,496	B2	1/2006	Szendrovvari et al.	
7,178,878	B2 *	2/2007	Rompel	B25D 17/02 299/100
7,363,922	B2 *	4/2008	Lang	B25D 17/02 125/36
D637,629	S *	5/2011	Clark	D15/29
D648,356	S *	11/2011	Clark	D15/29
8,141,255	B2	3/2012	Su	
D689,755	S *	9/2013	Quinn	D8/70
D699,089	S *	2/2014	Quinn	D8/70
8,769,827	B2 *	7/2014	Powers	B25D 3/00 30/167
9,085,074	B2	7/2015	Quinn et al.	
9,221,164	B2	12/2015	Schneider et al.	
D752,937	S	4/2016	Schneider et al.	
9,333,635	B2	5/2016	Quinn et al.	
D779,904	S	2/2017	Schneider et al.	
2003/0221685	A1	12/2003	Lang et al.	
2004/0050568	A1 *	3/2004	Orozco, Jr.	B25D 11/102 173/100
2007/0062046	A1	3/2007	Hsu	
2011/0280678	A1 *	11/2011	Bohn	B21K 21/16 408/204
2012/0301238	A1 *	11/2012	Quinn	C22C 38/18 408/199
2013/0205603	A1 *	8/2013	Schneider	B25D 3/00 30/346

FOREIGN PATENT DOCUMENTS

CN	302105469	S	10/2012
CN	302105513	S	10/2012
CN	302229164	S	12/2012
CN	203081302	U	7/2013
CN	302740075	S	2/2014
CN	302787018	S	4/2014
CN	302828792	S	5/2014
CN	302828793	S	5/2014
CN	302828794	S	5/2014
CN	302828795	S	5/2014
CN	302828796	S	5/2014
CN	302828800	S	5/2014
CN	302828802	S	5/2014
CN	303187760	S	4/2015
CN	303223379	S	5/2015
CN	303488500	S	12/2015
CN	303488502	S	12/2015
DE	118286	C	11/1898
DE	466471	C	9/1928
DE	733686	C	4/1943
DE	808001	C	7/1951
DE	812373	C	8/1951
DE	828385	C	1/1952
DE	1846211	U	2/1962
DE	1266249	B	4/1968
DE	2818685	A1	11/1978
DE	3127740	A1	2/1982
DE	8320045	U1	11/1983
DE	29516413	U1	4/1996
DE	19914522	C2	10/2000
DE	10133948	A1	2/2003
DE	202004012846	U1	10/2004
DE	202013003876	U1	6/2013
DE	102012224434	A1	7/2014
EM	001768185-0001		10/2010
EM	001768185-0002		10/2010
EM	001768185-0004		10/2010
EM	001768185-0005		10/2010
EM	001318919-0001		3/2012
EM	001318919-0002		3/2012
EM	001318943-0001		3/2012
EM	001318943-0002		3/2012
EM	001860214-0001		5/2013
EP	0156789	A1	10/1985
EP	0497307	A2	8/1992
EP	0551549	A1	7/1993
EP	1391272	A1	2/2004
EP	1468790	A1	10/2004
WO	9740965	A	11/1997
WO	0136163	A1	5/2001
WO	09043617	A1	4/2009
WO	081175-2		6/2013
WO	081175-1		7/2013
WO	16153364	A2	9/2016
WO	17162623	A1	9/2017
WO	2018024666	A1	2/2018
WO	2018029022	A1	2/2018

* cited by examiner

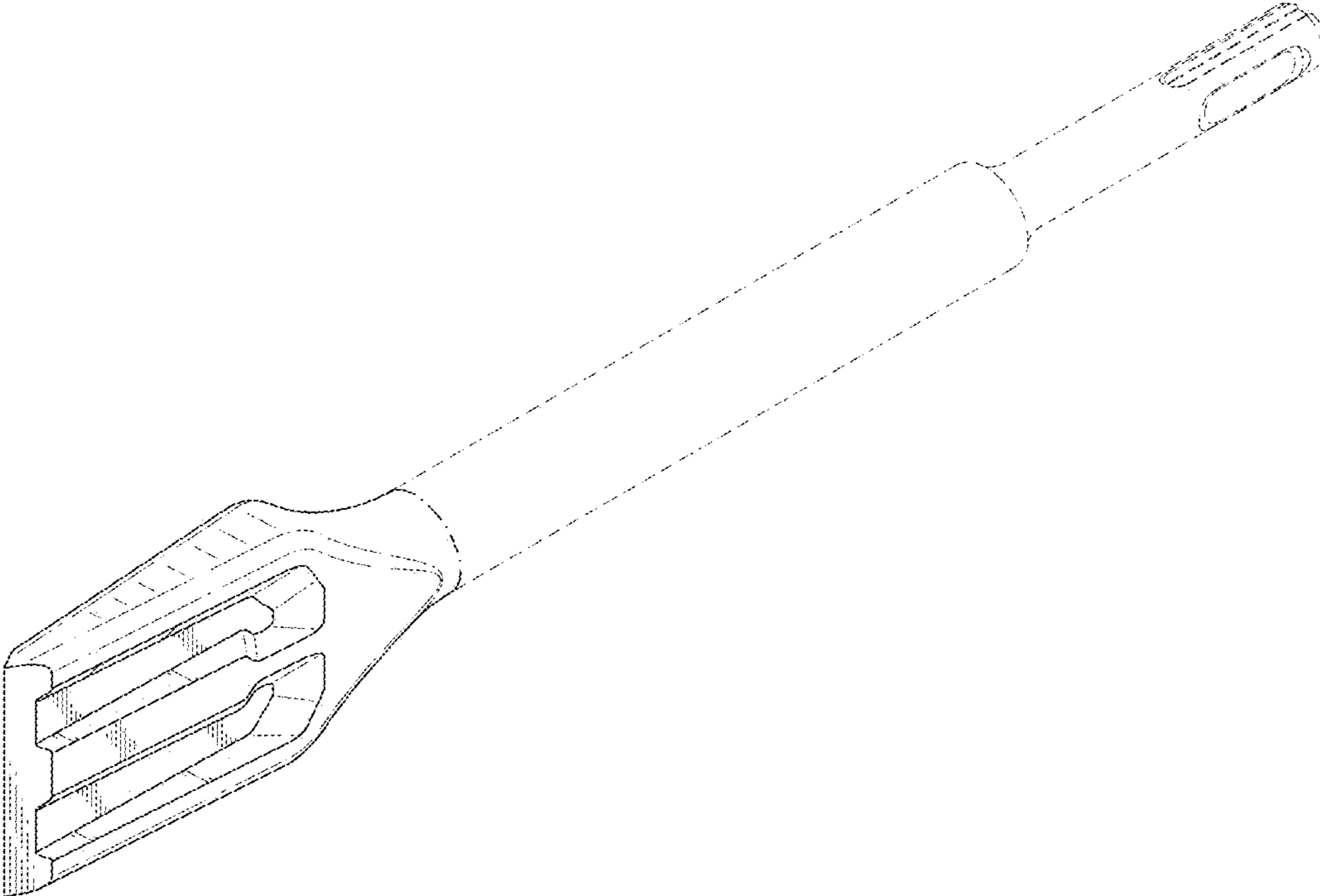


FIG. 1

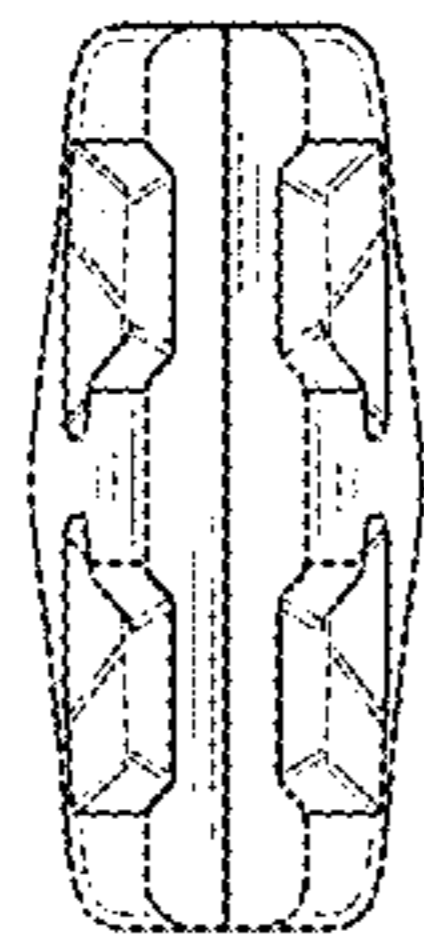


FIG. 2



FIG. 3

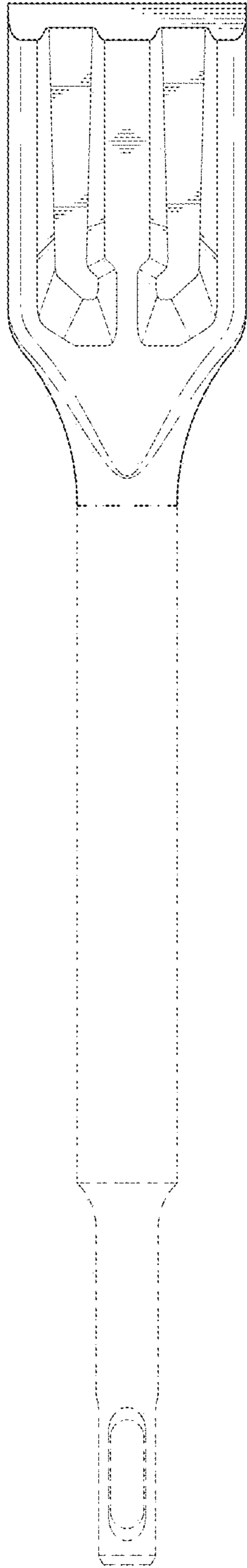


FIG. 4

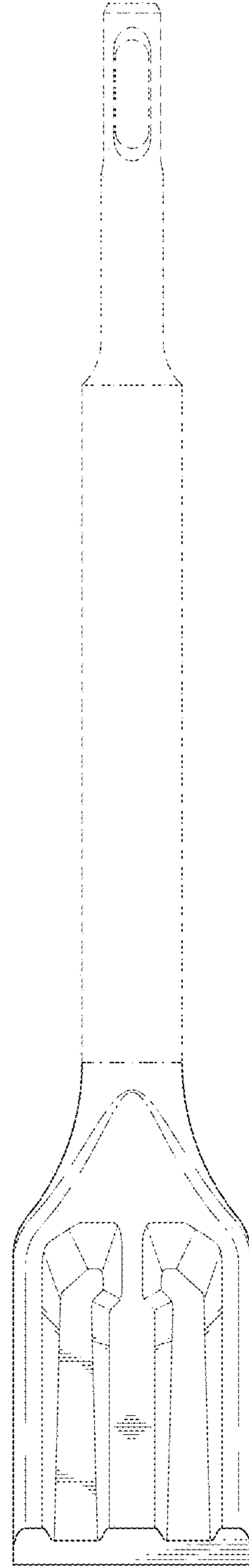


FIG. 5



FIG. 6

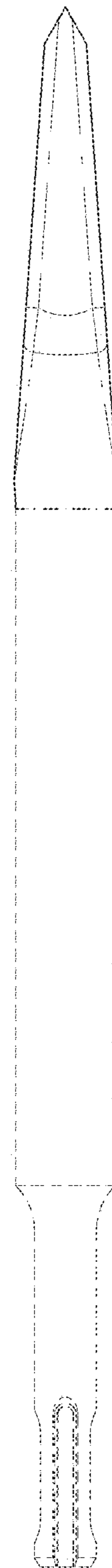


FIG. 7

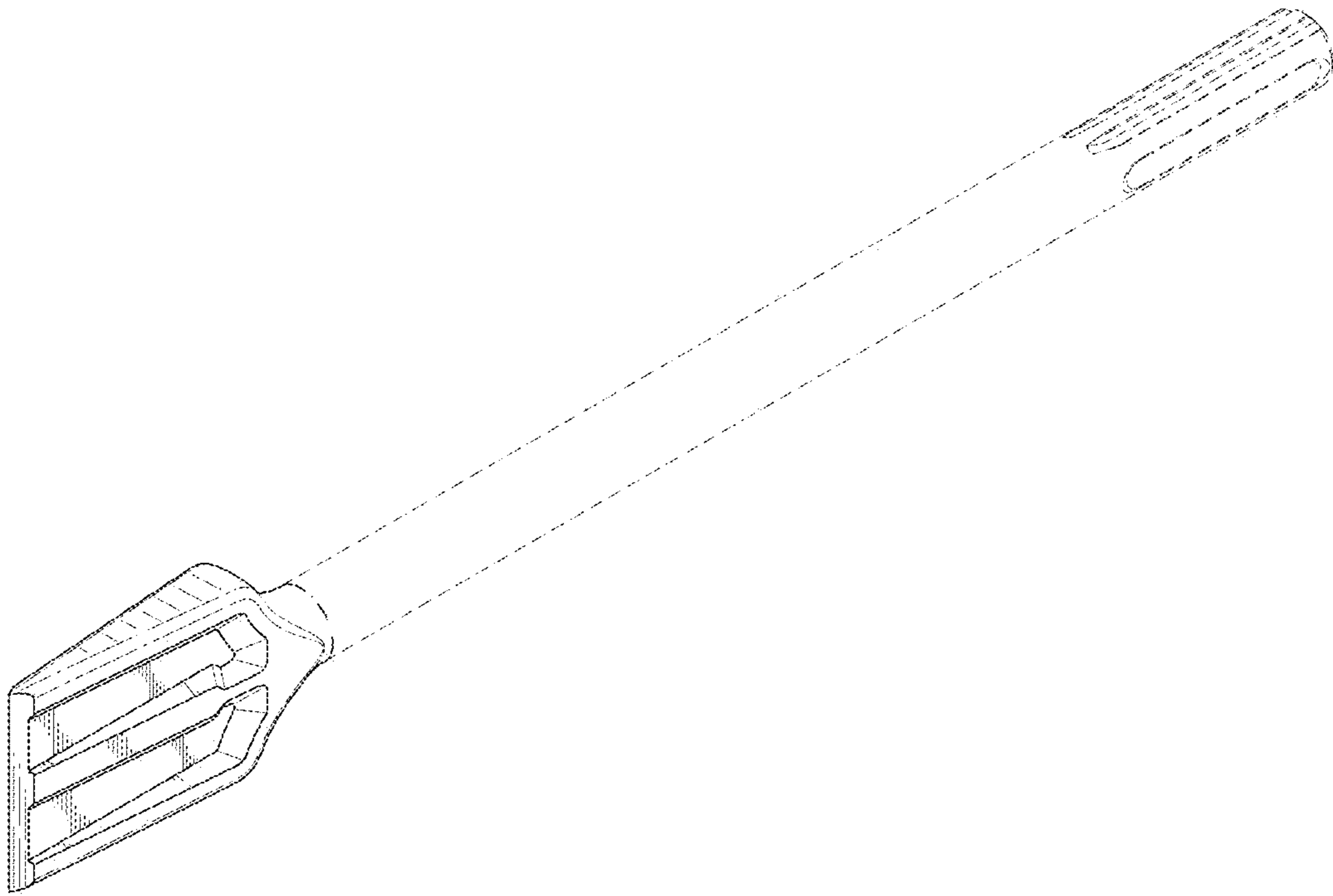


FIG. 8

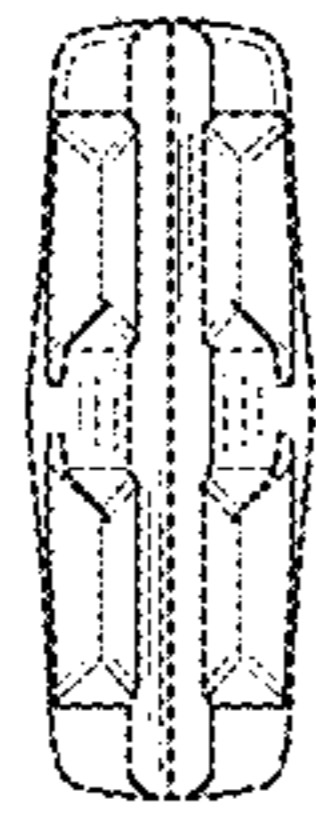


FIG. 9



FIG. 10

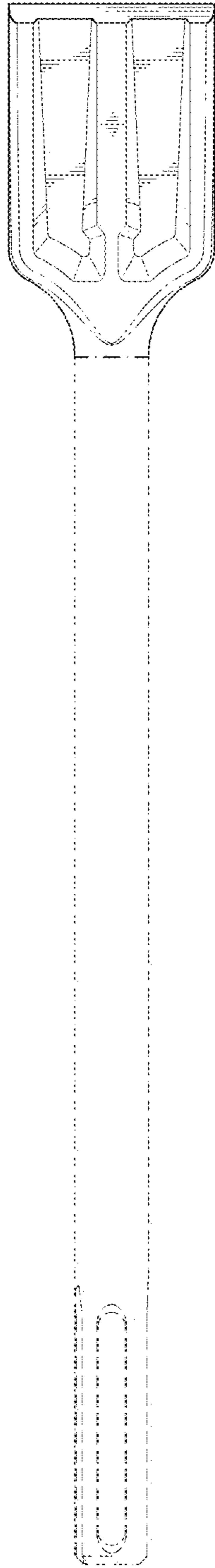


FIG. 11

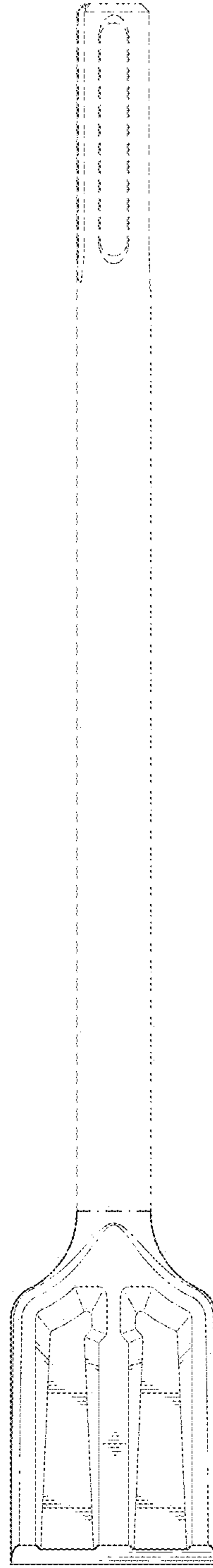


FIG. 12

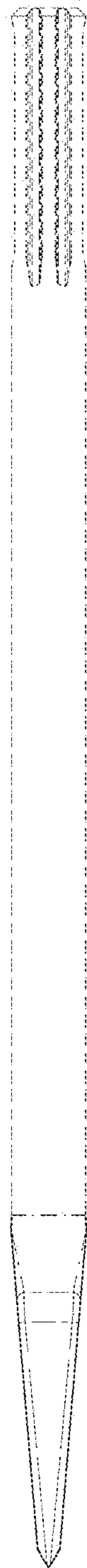


FIG. 13

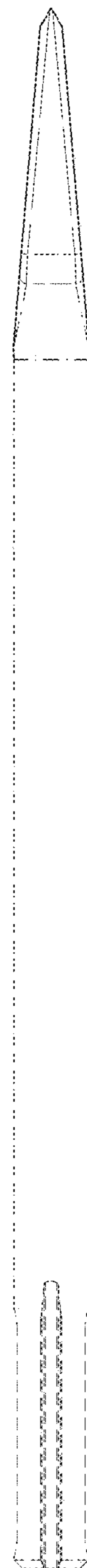


FIG. 14