



US00D923446S

(12) **United States Design Patent** (10) **Patent No.:** **US D923,446 S**
Uschold et al. (45) **Date of Patent:** **** Jun. 29, 2021**

- (54) **CAP FOR A NOSE OF A FASTENING APPARATUS**
- (71) Applicant: **Avery Dennison Corporation**, Glendale, CA (US)
- (72) Inventors: **Robert Charles Uschold**, Leominster, MA (US); **Soniya Soniya**, Dubai (AE); **David Gregory Honan**, Concord, MA (US)
- (73) Assignee: **Avery Dennison Corporation**, Glendale, CA (US)
- (**) Term: **15 Years**
- (21) Appl. No.: **29/687,357**
- (22) Filed: **Apr. 12, 2019**
- (51) **LOC (13) Cl.** **08-05**
- (52) **U.S. Cl.**
USPC **D8/51**
- (58) **Field of Classification Search**
USPC D8/14, 51, 60, 68, 70; D13/133
CPC B65C 7/005; B65C 7/006; B65C 7/008
See application file for complete search history.

Primary Examiner — Philip S Hyder

(57) **CLAIM**

The ornamental design for a cap for a nose of a fastening apparatus, as shown and described.

DESCRIPTION

FIG. 1 is a front, top, right perspective view of a first embodiment of a cap, showing my new design;
 FIG. 2 is a front view of the cap of FIG. 1;
 FIG. 3 is a rear view of the cap of FIG. 1;
 FIG. 4 is a right side view of the cap of FIG. 1, wherein the left side view of the cap would appear as a mirror image of FIG. 4;
 FIG. 5 is a top view of the cap of FIG. 1;
 FIG. 6 is a bottom view of the cap of FIG. 1; and,
 FIG. 7 is a front, top, right perspective view of a second embodiment of a cap that appears identical to FIG. 1 but showing the aperture in broken lines without shading, wherein the front view, rear view, right side view, top view and bottom view of the second embodiment of the cap would appear identical FIGS. 2-6, respectively, and the left side view of the second embodiment of the cap would appear as a mirror image of FIG. 4, but also showing the aperture in FIG. 2 in broken lines and without shading and the aperture in FIG. 3 in broken lines.

The unshaded regions demarcated by one or more broken lines or a combination of one or more broken and solid lines in FIGS. 1-7 represent unclaimed portions that form no part of the claimed design. The shaded regions of FIGS. 1-7 represent surface shape only and do not represent any particular material or color. Unless otherwise described above, the broken lines in all the figures are provided for environmental purposes only and form no part of the claimed design.

(56) **References Cited**

U.S. PATENT DOCUMENTS

2,257,954 A	10/1941	Henkels
2,947,047 A	8/1960	Guzell
D200,198 S	2/1965	Vilcins
3,282,657 A	11/1966	Bright

(Continued)

FOREIGN PATENT DOCUMENTS

CA	33943	5/1971
CN	301364410	10/2010

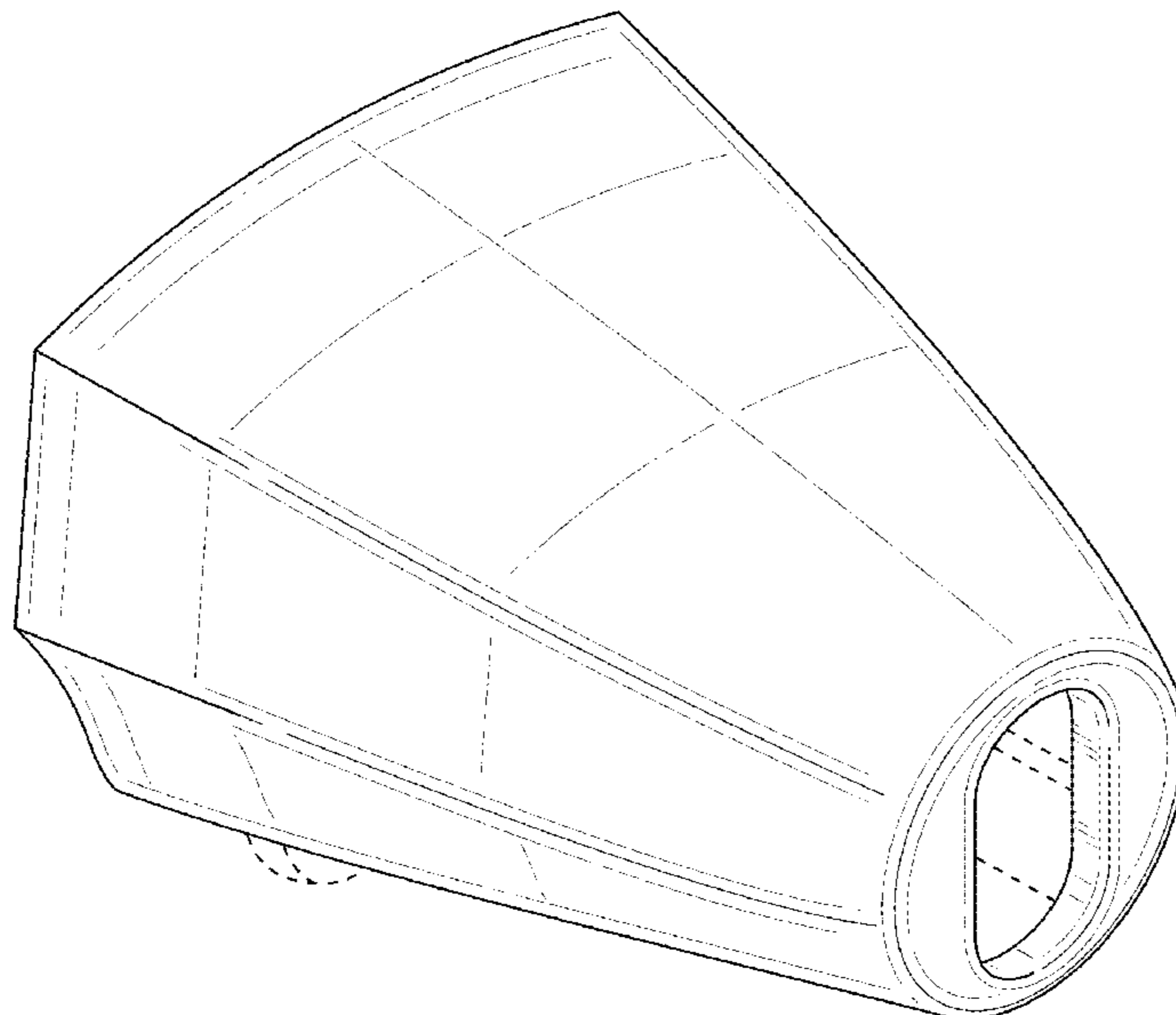
(Continued)

OTHER PUBLICATIONS

International Search Report issued in IA No. PCT/US10/00680 dated May 3, 2010.

(Continued)

1 Claim, 7 Drawing Sheets



(56)

References Cited

U.S. PATENT DOCUMENTS

3,338,689 A 8/1967 Hetzei et al.
 3,399,432 A 9/1968 Merser
 3,470,834 A 10/1969 Bone
 3,494,004 A 2/1970 Bone
 3,547,122 A 12/1970 Rinser
 D223,138 S 3/1972 Mulholland
 3,750,605 A 8/1973 Warburton et al.
 D230,115 S 1/1974 Beams
 3,815,798 A 6/1974 Lavitch et al.
 3,875,648 A 4/1975 Bone
 3,893,612 A 7/1975 Bone
 3,895,753 A 7/1975 Bone
 3,900,925 A 8/1975 LaTorraca
 3,990,619 A 11/1976 Russell
 D243,365 S 2/1977 Cross
 D251,771 S 5/1979 Tritton
 4,187,970 A * 2/1980 Furutu B65C 7/005
 227/67
 4,296,698 A 10/1981 Davidson et al.
 4,333,596 A 6/1982 Kunreuther
 4,417,682 A 11/1983 Furutsu
 4,423,837 A 1/1984 Clements
 D273,171 S 3/1984 Bone
 4,455,858 A 6/1984 Hettich
 4,456,162 A 6/1984 Furutsu
 4,482,088 A 11/1984 Hyun
 4,492,330 A * 1/1985 Furutsu B65C 7/005
 226/196.1
 4,664,306 A * 5/1987 Levy A41H 37/008
 221/74
 4,693,248 A 9/1987 Failla
 4,838,469 A 6/1989 Strausburg
 4,923,106 A 5/1990 Furutsu
 5,020,713 A 6/1991 Kunreuther
 5,074,452 A * 12/1991 Bone B65C 7/005
 226/67
 D327,398 S * 6/1992 Meyers D8/51
 D333,415 S * 2/1993 Furutsu D8/51
 5,188,912 A 2/1993 Katoh
 5,205,458 A 4/1993 Kunreuther
 D340,850 S 11/1993 Tang
 5,305,939 A 4/1994 Deschenes et al.
 5,307,975 A 5/1994 Deschenes et al.
 5,383,260 A 1/1995 Deschenes et al.
 RE34,857 E 2/1995 Kunreuther
 D362,606 S 9/1995 Deschenes et al.
 5,447,263 A * 9/1995 Tropper B65C 7/006
 227/136
 D364,337 S 11/1995 Deschenes et al.
 D365,003 S * 12/1995 Davignon D8/51
 D366,608 S 1/1996 Deschenes et al.
 5,495,974 A 3/1996 Deschenes et al.
 5,518,162 A 5/1996 Deschenes et al.
 5,622,257 A 4/1997 Deschenes et al.
 5,671,507 A 9/1997 Deschenes et al.
 5,678,747 A 10/1997 Kunreuther et al.
 5,715,984 A 2/1998 Deschenes
 5,810,238 A 9/1998 Kunreuther
 5,813,589 A 9/1998 Kim
 5,826,775 A * 10/1998 Mooney B65C 7/005
 227/67
 D402,540 S 12/1998 Stridh
 5,938,024 A 8/1999 Deschenes et al.
 5,954,242 A 9/1999 Deschenes et al.
 D415,953 S 11/1999 Huang
 5,975,398 A 11/1999 Evans
 6,055,716 A 5/2000 Ayres et al.
 6,126,056 A 10/2000 Ueno et al.
 D434,630 S * 12/2000 Oliver D8/70
 6,267,285 B1 7/2001 Raymond et al.
 6,267,286 B1 7/2001 Deschenes et al.

6,418,597 B1 7/2002 Deschenes et al.
 6,427,895 B1 8/2002 Deschenes
 6,638,297 B1 10/2003 Huiterna
 6,685,077 B1 2/2004 Davignon et al.
 D522,330 S * 6/2006 Arnold D8/51
 D590,685 S * 4/2009 Sterling D15/140
 D596,007 S * 7/2009 Price D8/70
 8,316,529 B2 11/2012 Davis et al.
 8,381,958 B2 2/2013 Lussier et al.
 D696,576 S 12/2013 Ng
 9,271,726 B2 3/2016 Euterieuer
 D808,253 S 1/2018 Daniels
 D895,113 S 9/2020 Blair et al.
 D914,491 S 3/2021 Daniels
 2005/0125958 A1 6/2005 Deschenes et al.
 2013/0167356 A1 7/2013 Hagie et al.
 2016/0135808 A1 5/2016 Anderson

FOREIGN PATENT DOCUMENTS

CN 301719092 11/2011
 CN 203158329 8/2013
 DE 3625481 2/1988
 GB 1006092 2/2008
 GB 6014567 6/2017
 JP 06171632 6/1994
 JP D1380076 1/2010
 JP D1455928 10/2012
 WO 98/21990 5/1998

OTHER PUBLICATIONS

Written Opinion issued in corresponding IA No. PCT/US10/00680 dated May 3, 2010.
 International Search Report and Written Opinion dated Aug. 3, 2020 issued in corresponding IA No. PCT/US2020/027185 filed Apr. 8, 2020.
 Keadic, 30Pcs M32 Two Hole Strap U Bracket Tube Strap Tension Clips Stainless Steel Heavy Duty Rigid Type Pipe Strap Clamp, Date first available Sep. 2, 2018, [online] retrieved Dec. 28, 2020, available from Internet, [https://www.amazon.com/Keadic-Bracket-Stainiess-Surfaces-Structures/dp/B07H25JPZN/ref=s\(year:2018\).](https://www.amazon.com/Keadic-Bracket-Stainiess-Surfaces-Structures/dp/B07H25JPZN/ref=s(year:2018).)
 SeeRapee, 304 Stainless Steel U Bolt Set Marine Boat Deck Hardware M8x100, Date first available May 23, 2018, [online] retrieved Dec. 28, 2020, available from Internet, [https://www.amazon.com/Stainless-Steel-Marine-Hardware-M8x100/dp1B07D7TYRGX/ref+sr_1_20_sspa?dchild=1&keywords=u+shaped+fasteners&qid\(Year:2018\).](https://www.amazon.com/Stainless-Steel-Marine-Hardware-M8x100/dp1B07D7TYRGX/ref+sr_1_20_sspa?dchild=1&keywords=u+shaped+fasteners&qid(Year:2018).)
 UNISTRUT, Genuine Unistrut Brand P1047-EG 5 Hole“U” Shaped Connector Bracket, Date first available Feb. 7, 2014, [online] retrieved Dec. 28, 2020, available from internet, [https://www.amazon.com/Genuine-Unistrut-P1047-EG-Connector-Bracket/dp/B00IASG7BA/ref=sr_1_45?dchild=a&keywords=u+shaped+fasteners&\(Year:2014\).](https://www.amazon.com/Genuine-Unistrut-P1047-EG-Connector-Bracket/dp/B00IASG7BA/ref=sr_1_45?dchild=a&keywords=u+shaped+fasteners&(Year:2014).)
 Prime-Line Store, MP7018 Wire Shelf Loop Clip, Date first available Nov. 9, 2017, [online]retrieved Dec. 28, 2020, available from internet, [https://www.amazon.com/Prime-Line-MP7018-Wire-Shelf-Piece/dp/B07793L26V/ref=sr_1_175?dchild=1&keywords=u+shaped+fasteners&qid=1609280165&sr=8-175\(Year2017\).](https://www.amazon.com/Prime-Line-MP7018-Wire-Shelf-Piece/dp/B07793L26V/ref=sr_1_175?dchild=1&keywords=u+shaped+fasteners&qid=1609280165&sr=8-175(Year2017).)
 Bulk Hardware, BH03720 Galvanised Netting Staple, Date first available: Jan. 20, 2017, [online] retrieved Apr. 9, 2021, available from [https://www.amazon.com/Bulk-hardware-BH03720-Galvanized-Netting/dp/B01BHQKPKA/ref=sr_1_45?dchild=1&keywords=u+shaped+fasteners&qid=1617974810&sr=8-45\(Year:2017\).](https://www.amazon.com/Bulk-hardware-BH03720-Galvanized-Netting/dp/B01BHQKPKA/ref=sr_1_45?dchild=1&keywords=u+shaped+fasteners&qid=1617974810&sr=8-45(Year:2017).)
 Harris Hardware, TP1756 2 Ear Wall Bracket, Date first available Oct. 18, 2019, [online] retrieved Apr. 9, 2021, available from [https://www.amazon.com/Harris-Hardware-TP1758-Bracket-Chromeldp/B07MFW7ZZZ?ref=pf_rd_p=2419a049-62bf-452e-b0d0-ca5b7e35a7b4&pf_rd_r=3ESC62KVVG8PNKFFVNMr&\(Year:2019\).](https://www.amazon.com/Harris-Hardware-TP1758-Bracket-Chromeldp/B07MFW7ZZZ?ref=pf_rd_p=2419a049-62bf-452e-b0d0-ca5b7e35a7b4&pf_rd_r=3ESC62KVVG8PNKFFVNMr&(Year:2019).)

* cited by examiner

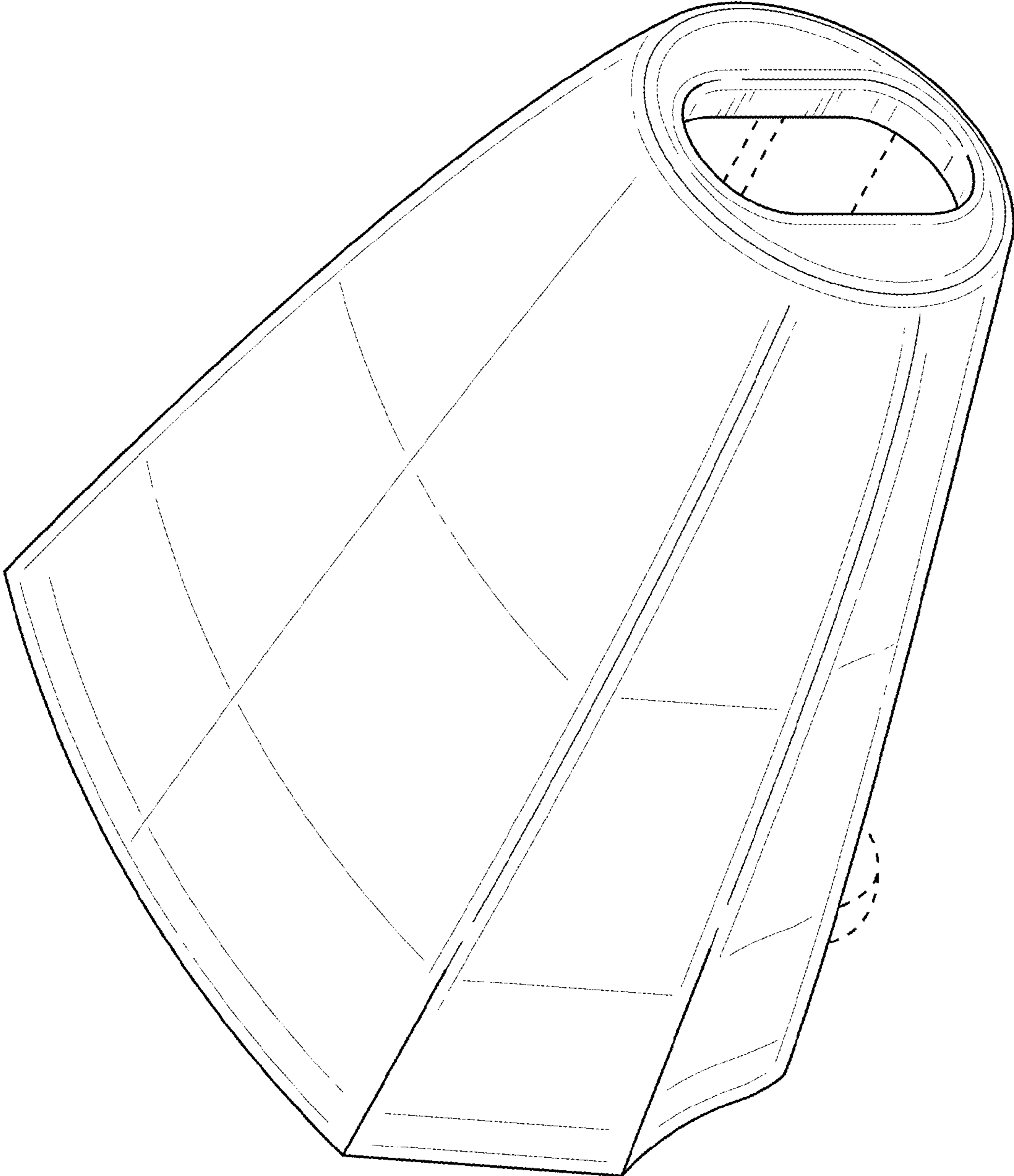


FIG. 1

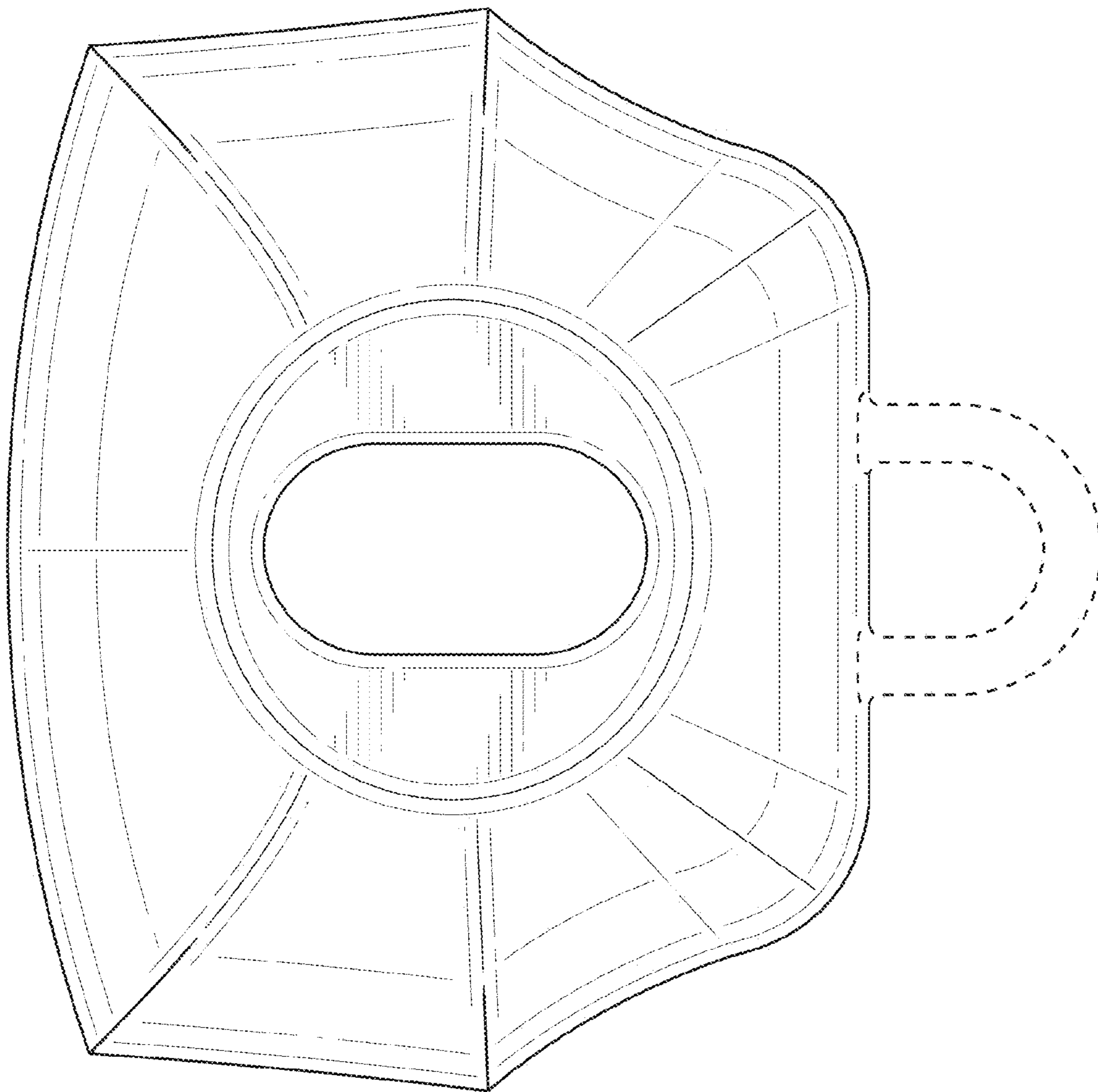


FIG. 2

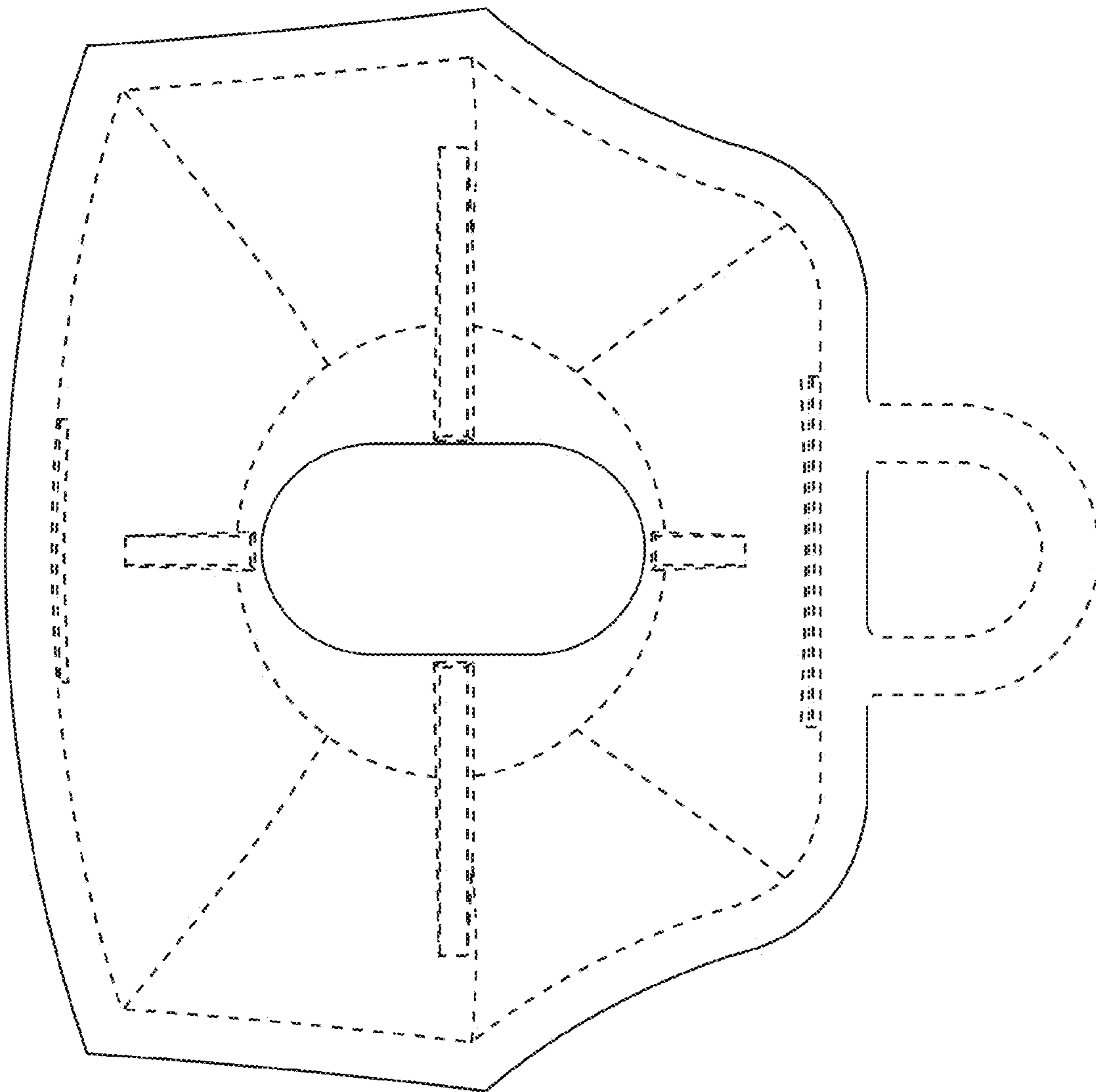


FIG. 3

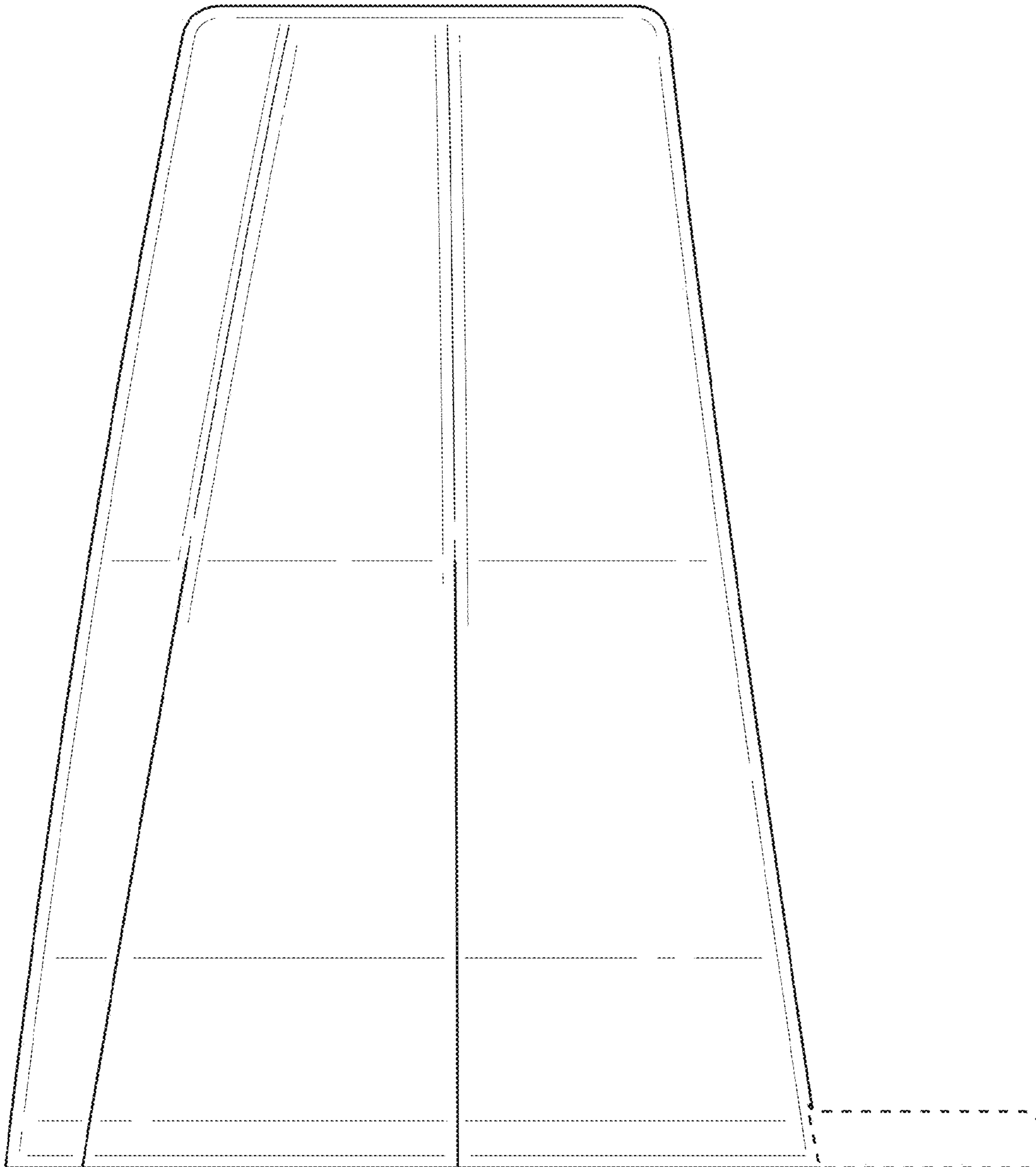


FIG. 4

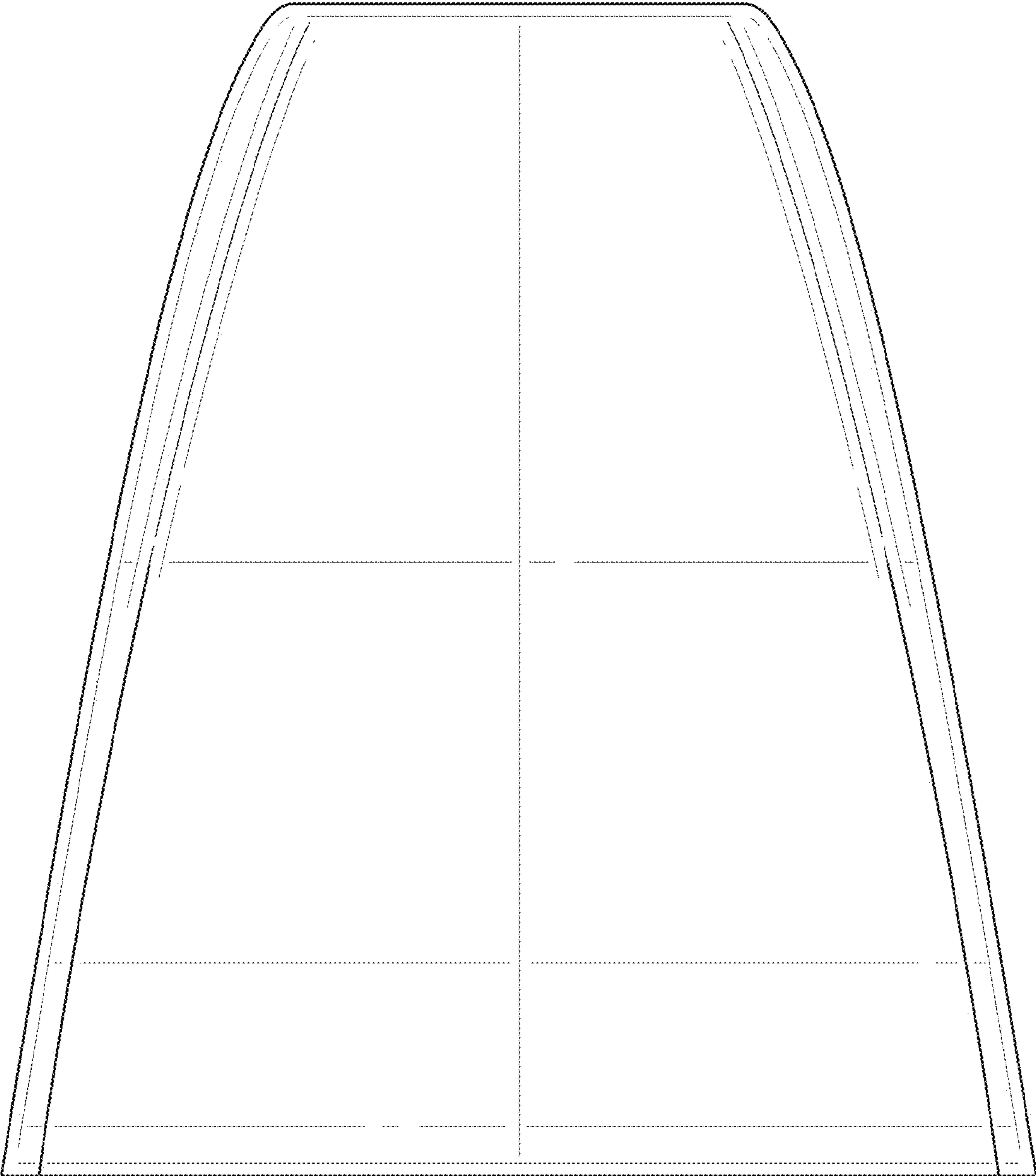


FIG. 5

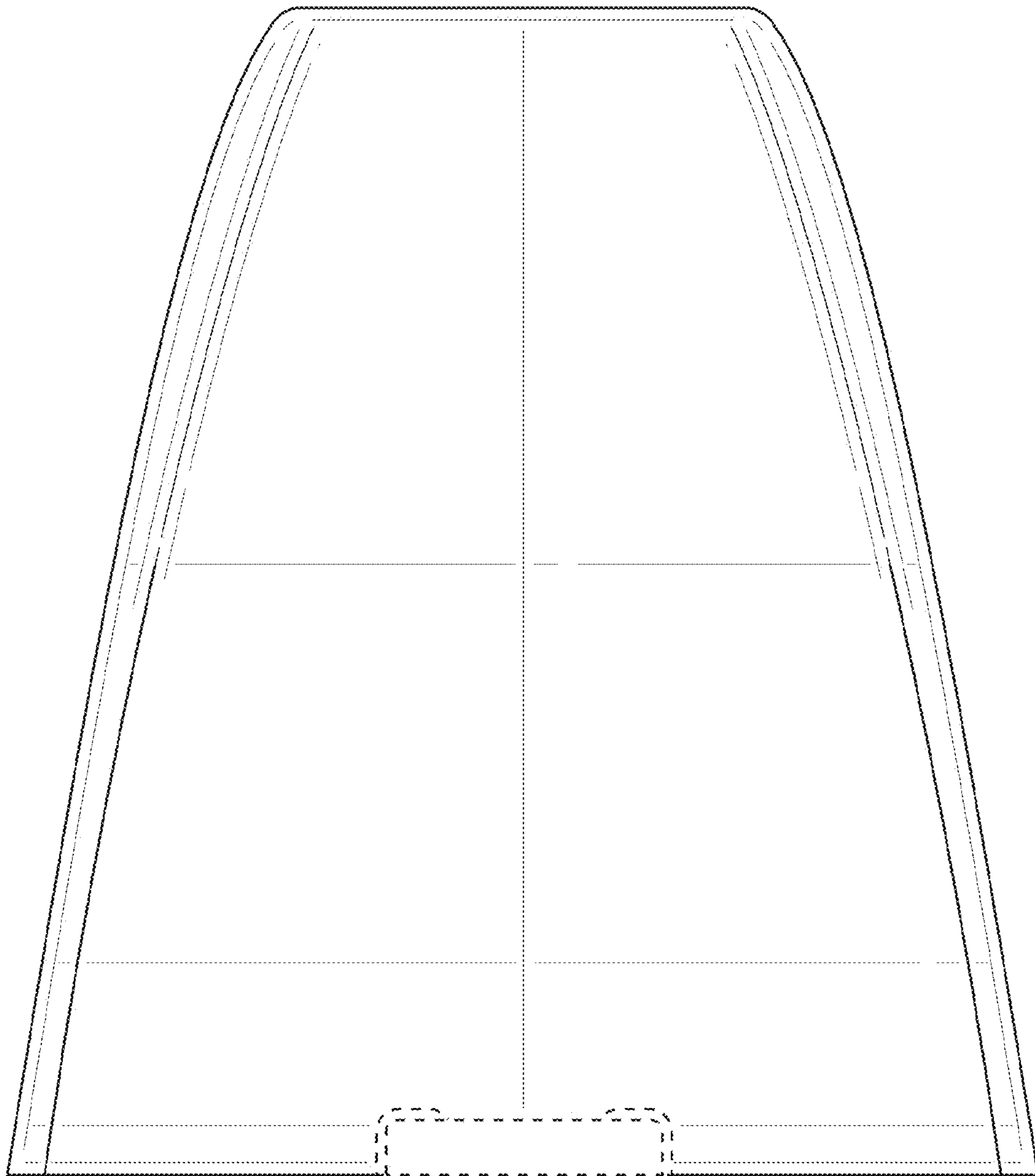


FIG. 6

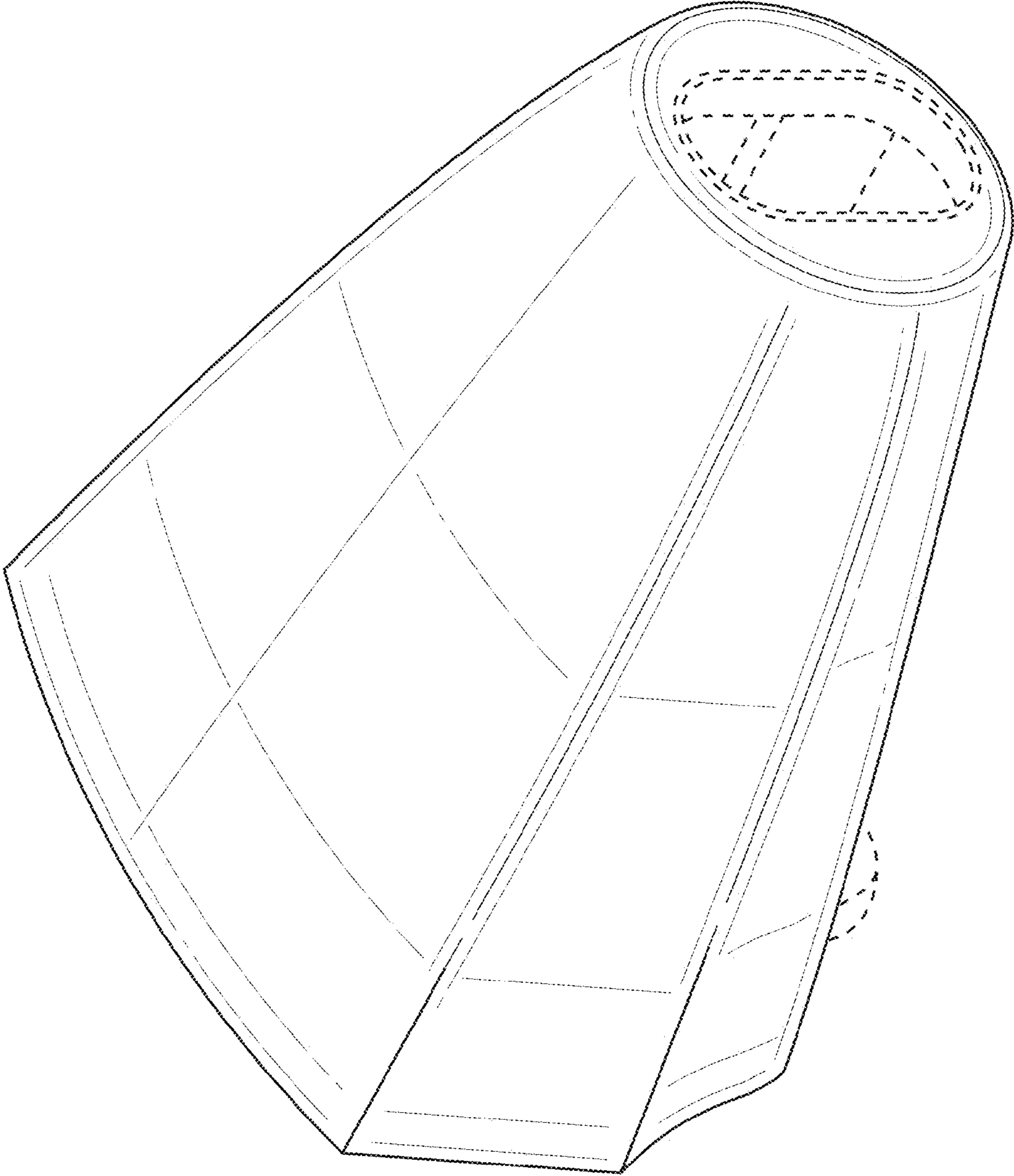


FIG. 7