



US00D923442S

(12) **United States Design Patent**
Hsieh

(10) **Patent No.:** **US D923,442 S**
(45) **Date of Patent:** **** Jun. 29, 2021**

(54) **SOCKET**

(71) Applicant: **KABO TOOL COMPANY**, Taichung (TW)

(72) Inventor: **Chih-Ching Hsieh**, Taichung (TW)

(73) Assignee: **KABO TOOL COMPANY**, Taichung (TW)

(**) Term: **15 Years**

(21) Appl. No.: **29/720,450**

(22) Filed: **Jan. 13, 2020**

(30) **Foreign Application Priority Data**

Oct. 17, 2019 (TW) 108306449

(51) **LOC (13) Cl.** **08-05**

(52) **U.S. Cl.**
USPC **D8/29**

(58) **Field of Classification Search**
USPC D8/14-40, 51-56; 81/125.1, 177.1, 119, 81/124.7, 124.3, 186, 431, 176.15, 461.1, 81/99, 98, 100, 147, 185.1; 30/193, 252, 30/254

CPC B25B 13/14; B25B 13/06; B25B 13/04; B25B 13/46; B25B 13/00; B25B 7/02; B25B 13/48; B25B 13/16; B25B 13/505; B25B 13/5058; B25B 23/0007; B25B 23/0035; B25B 13/08; B25B 13/02; B25B 13/50; B25B 7/10; B25B 7/14; B25B 5/147;

(Continued)

(56) **References Cited**

U.S. PATENT DOCUMENTS

D558,010 S * 12/2007 Uglum D8/40
D766,055 S * 9/2016 Ford D8/21

(Continued)

FOREIGN PATENT DOCUMENTS

CN 301298740 * 2/2010
CN 305954507 * 12/2019

(Continued)

OTHER PUBLICATIONS

ARES Store, 70173-3/4-Inch F to 1-Inch M Impact Socket Adapter-Chrome Molybdenum Steel Construction, Date first available Jan. 23, 2019, [online]retrieved Dec. 10, 2020, available from internet, https://www.amazon.com/ARES-Adapter-Chrome-Molybdenum-Construction-Standards/dp/B01N94YR71/ref=sr_1_50_ssp (Year: 2019).*

(Continued)

Primary Examiner — Keli L Hill

Assistant Examiner — Sara S Sahneh

(74) *Attorney, Agent, or Firm* — Guice Patents PLLC

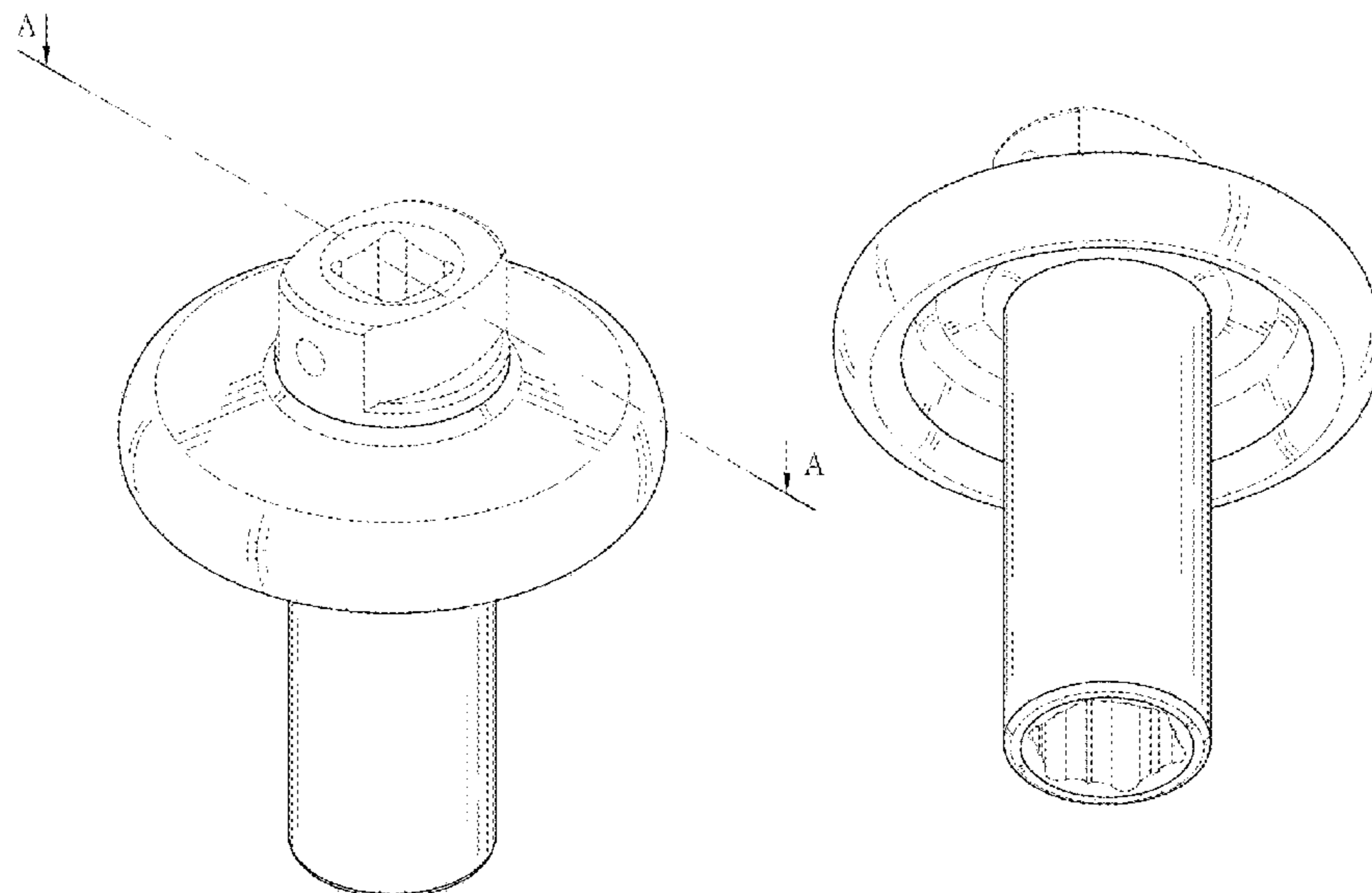
(57) **CLAIM**

The ornamental design for a socket, as shown and described.

DESCRIPTION

FIG. 1 is a top perspective view of a socket;
FIG. 2 is a front view of FIG. 1;
FIG. 3 is a rear view of FIG. 1;
FIG. 4 is a left side view of FIG. 1;
FIG. 5 is a right side view of FIG. 1;
FIG. 6 is a top view of FIG. 1;
FIG. 7 is a bottom view of FIG. 1;
FIG. 8 is a bottom perspective view of the socket of FIG. 1; and,
FIG. 9 is a sectional view taken along line A-A of FIG. 1. The broken lines shown on the drawings are included for the purpose of illustrating unclaimed features of the wrench and form no part of the claimed design. The dot-dash-dot line shown in FIG. 9 represents the bounds of the claimed design.

1 Claim, 6 Drawing Sheets



(58) **Field of Classification Search**

CPC B25B 5/085; B25B 27/00; B25B 23/142;
 B25B 23/16; B25B 13/28; B25B 13/462;
 B67B 7/00; B67B 7/18; B21K 5/16
 See application file for complete search history.

FOREIGN PATENT DOCUMENTS

CN	306172875	* 7/2020
GB	6014382	* 6/2017
KR	3009840650003	* 12/2018

(56) **References Cited**

U.S. PATENT DOCUMENTS

D784,099	S *	4/2017	Mitchell	D8/21
D817,732	S *	5/2018	Rettler	D8/25
D859,942	S *	9/2019	Lopez	D8/25
2012/0255403	A1 *	10/2012	Ehlers	B25B 13/06 81/467
2015/0217431	A1 *	8/2015	Seith	B25B 21/02 81/121.1
2015/0217433	A1 *	8/2015	Seith	B25B 13/06 81/124.6
2018/0326564	A1 *	11/2018	Rettler	B25B 23/0035
2019/0105761	A1 *	4/2019	Hsieh	B25B 23/0035
2019/0126447	A1 *	5/2019	Chu	B25B 21/023
2020/0232497	A1 *	7/2020	Hsieh	F16B 21/082
2020/0240397	A1 *	7/2020	Hsieh	F03G 3/08

OTHER PUBLICATIONS

Grey Pneumatic, (1138RA) 3/8" Female x 1/2" Male Reducing Sleeve Socket Adapter, Date first available Apr. 12, 2012, [online] retrieved Dec. 10, 2020, available from internet, https://www.amazon.com/Grey-Pneumatic-1138RA-Reducing-Adapter/dp/B007TKFY8C/ref=pd_di_sccai_7?_encoding=UTF8&pd_rd_i=B007TKFY8C (Year: 2012).*

IVY Classic, 44850 3/8" Square to 1/4" Hex Mega-Magnetic Impact Driver Adapter, 1/Card, Date first available May 4, 2011, [online] retrieved Dec. 9, 2020, available from internet, May 4, 2011 (Year: 2011).*

* cited by examiner

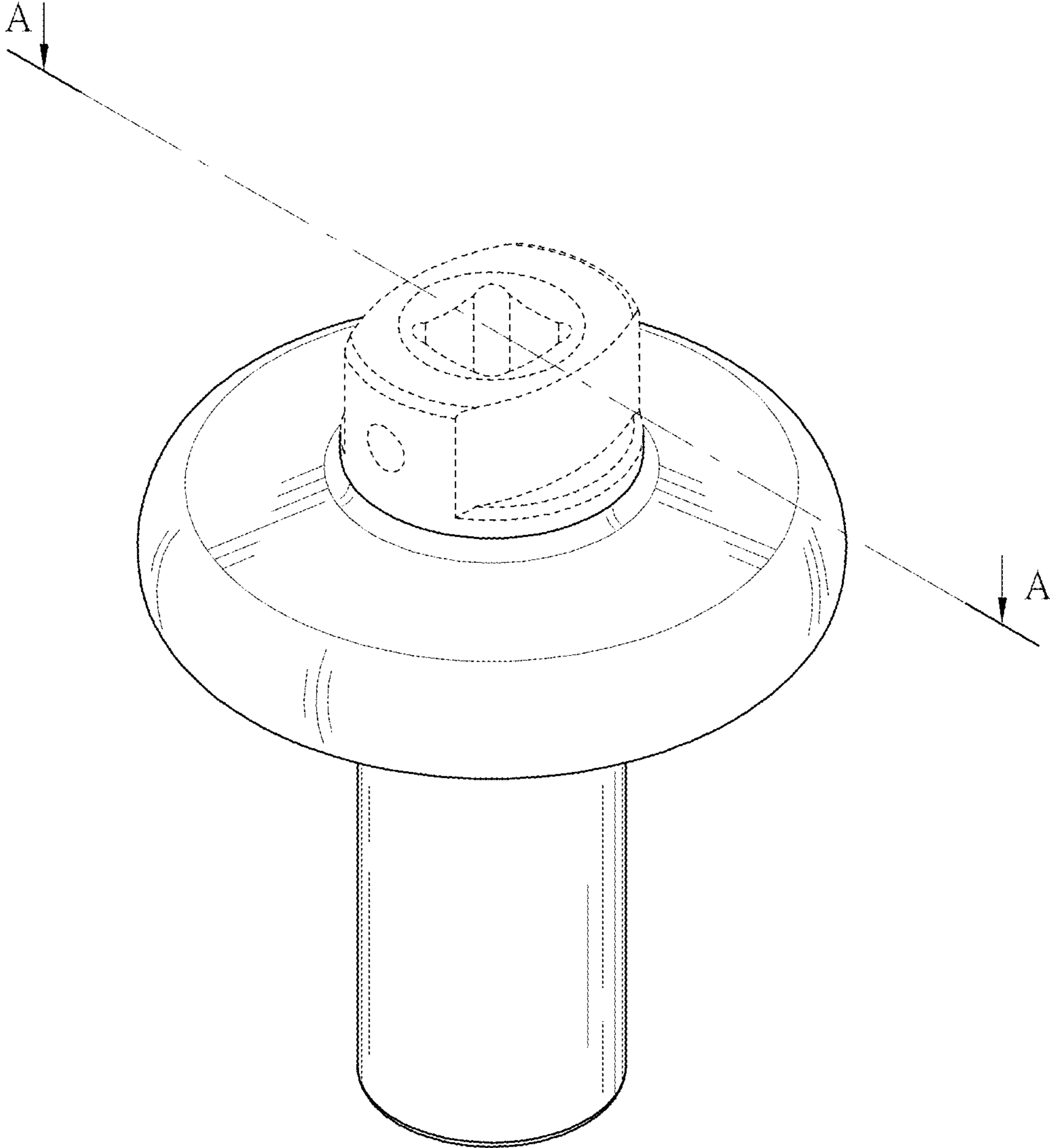


Fig. 1

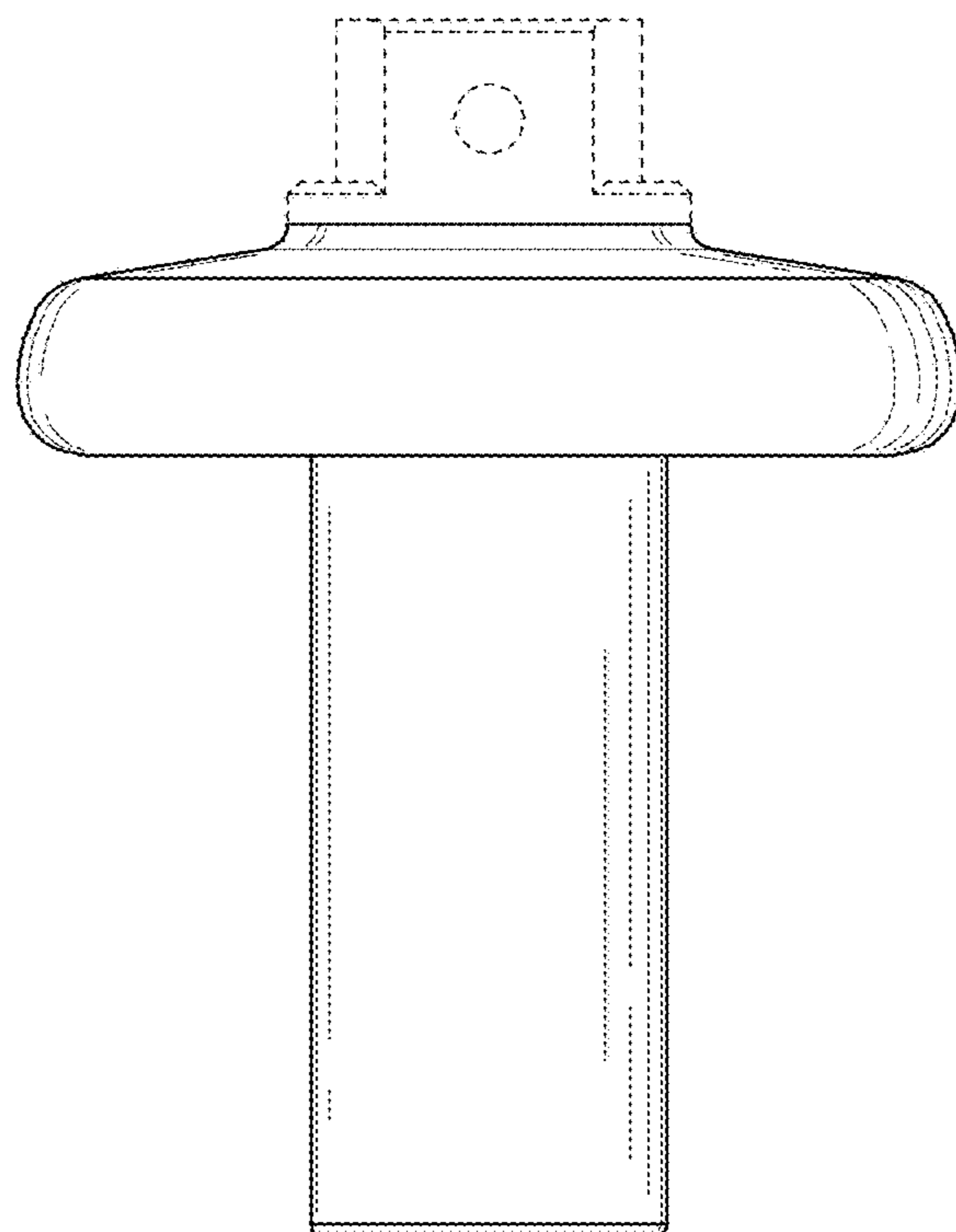


Fig. 2

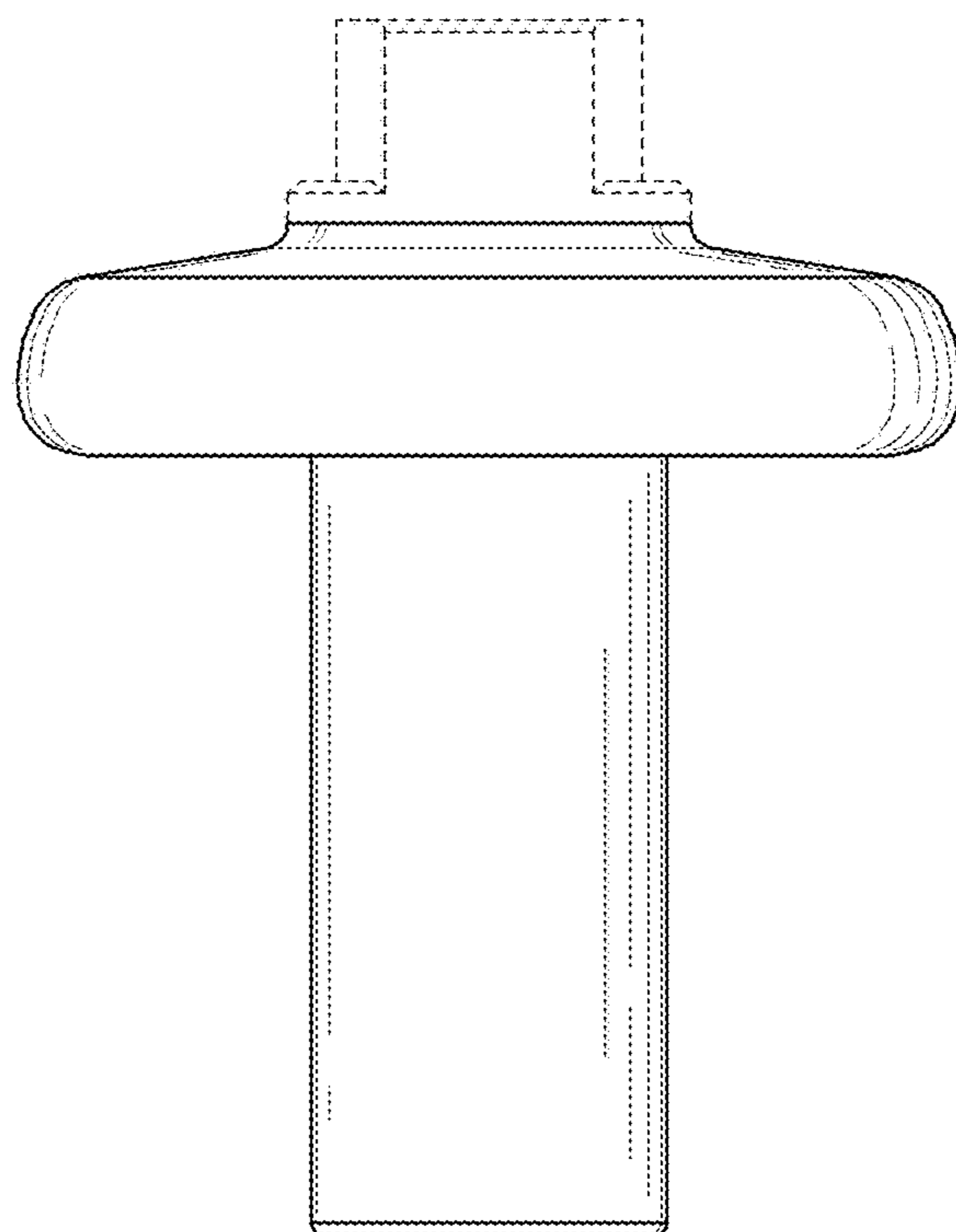


Fig. 3

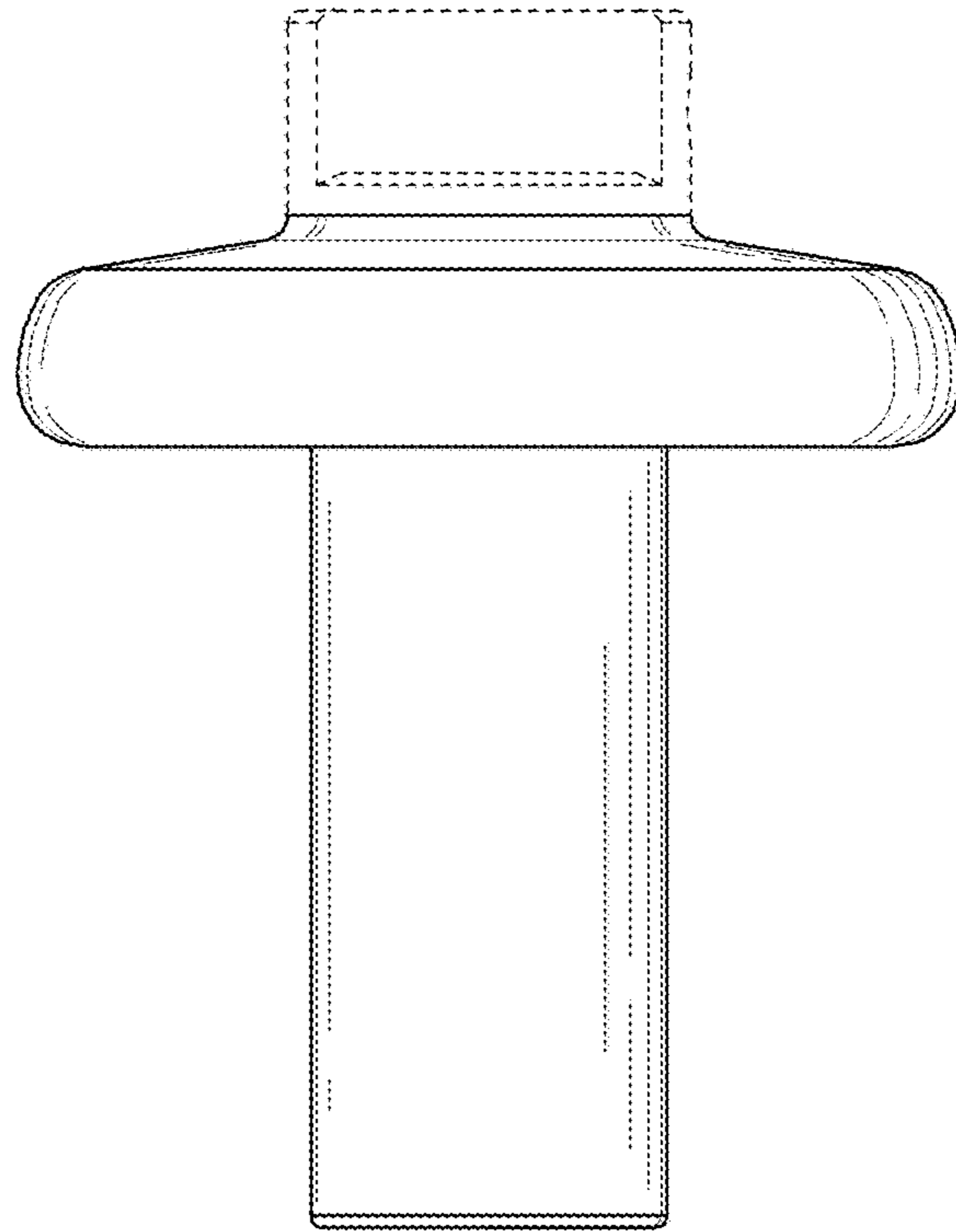


Fig. 4

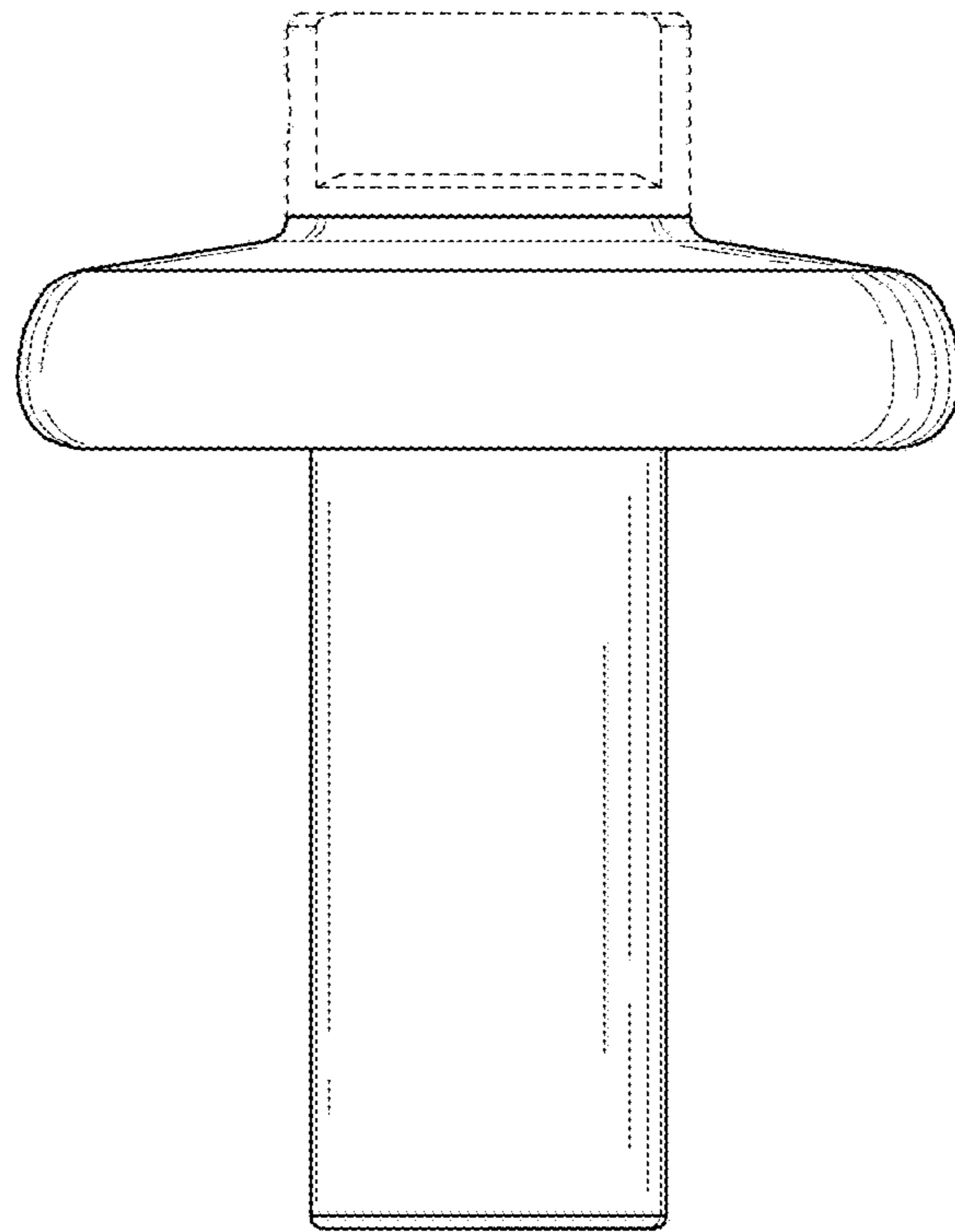


Fig. 5

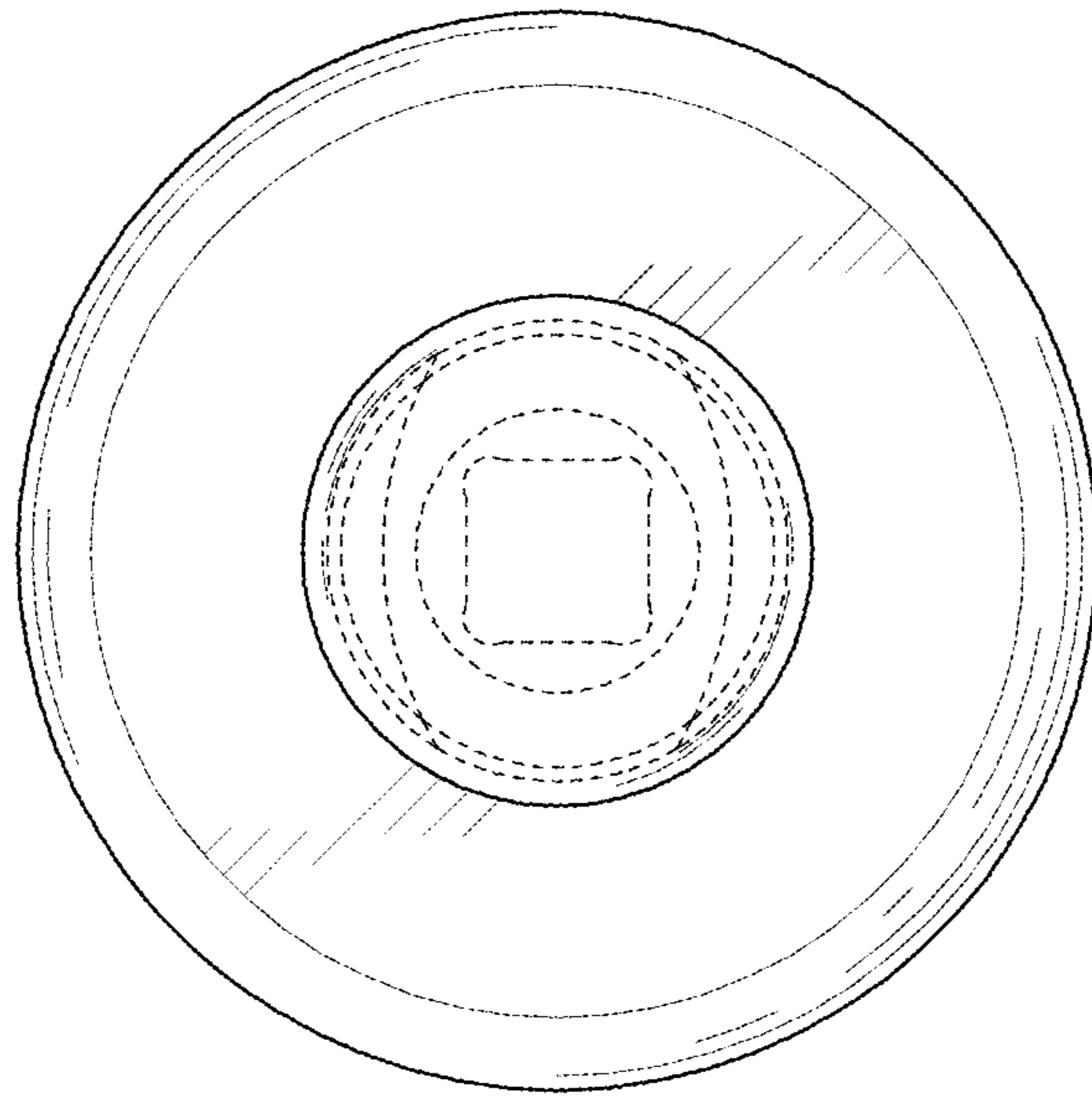


Fig. 6

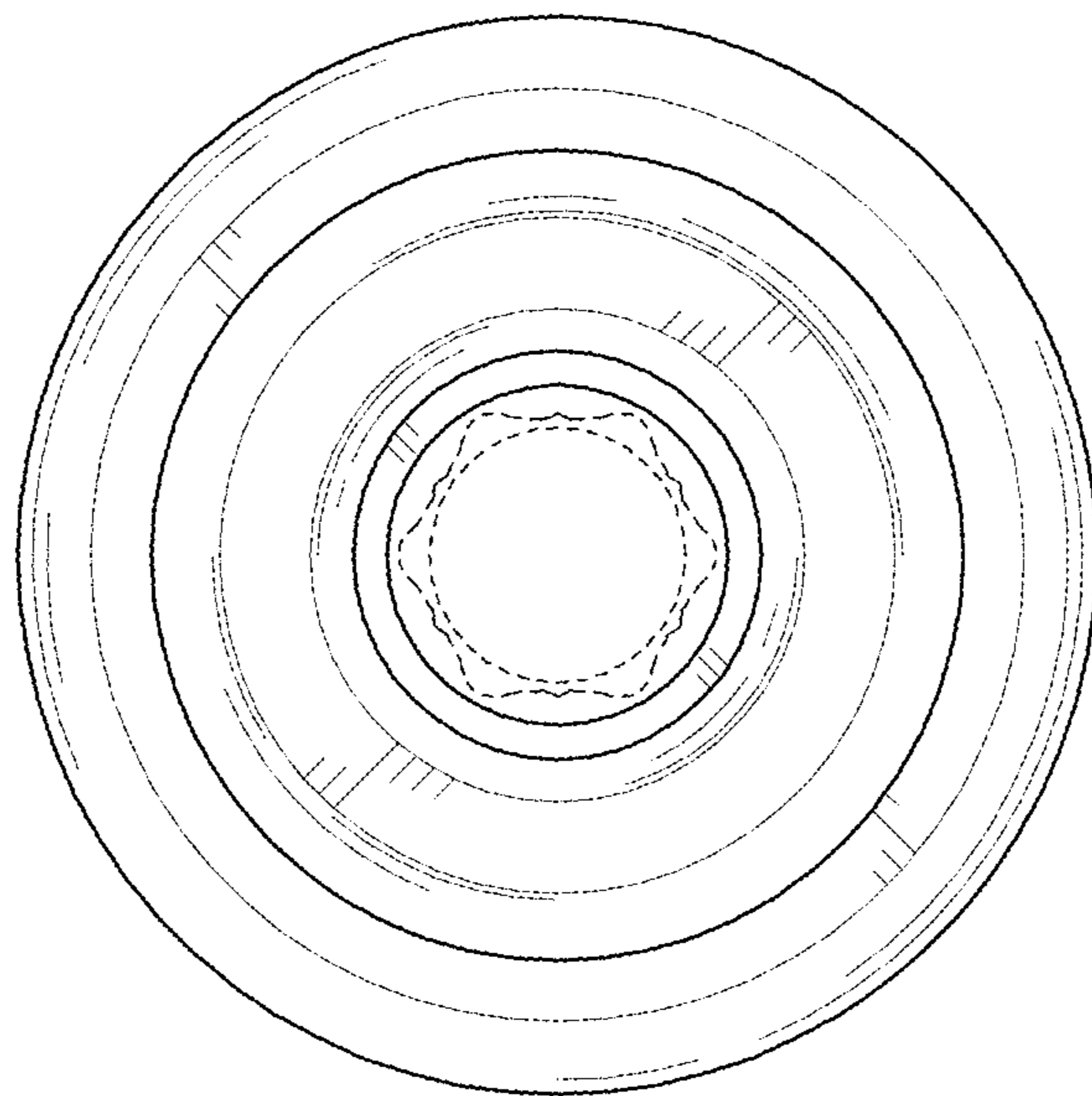


Fig. 7

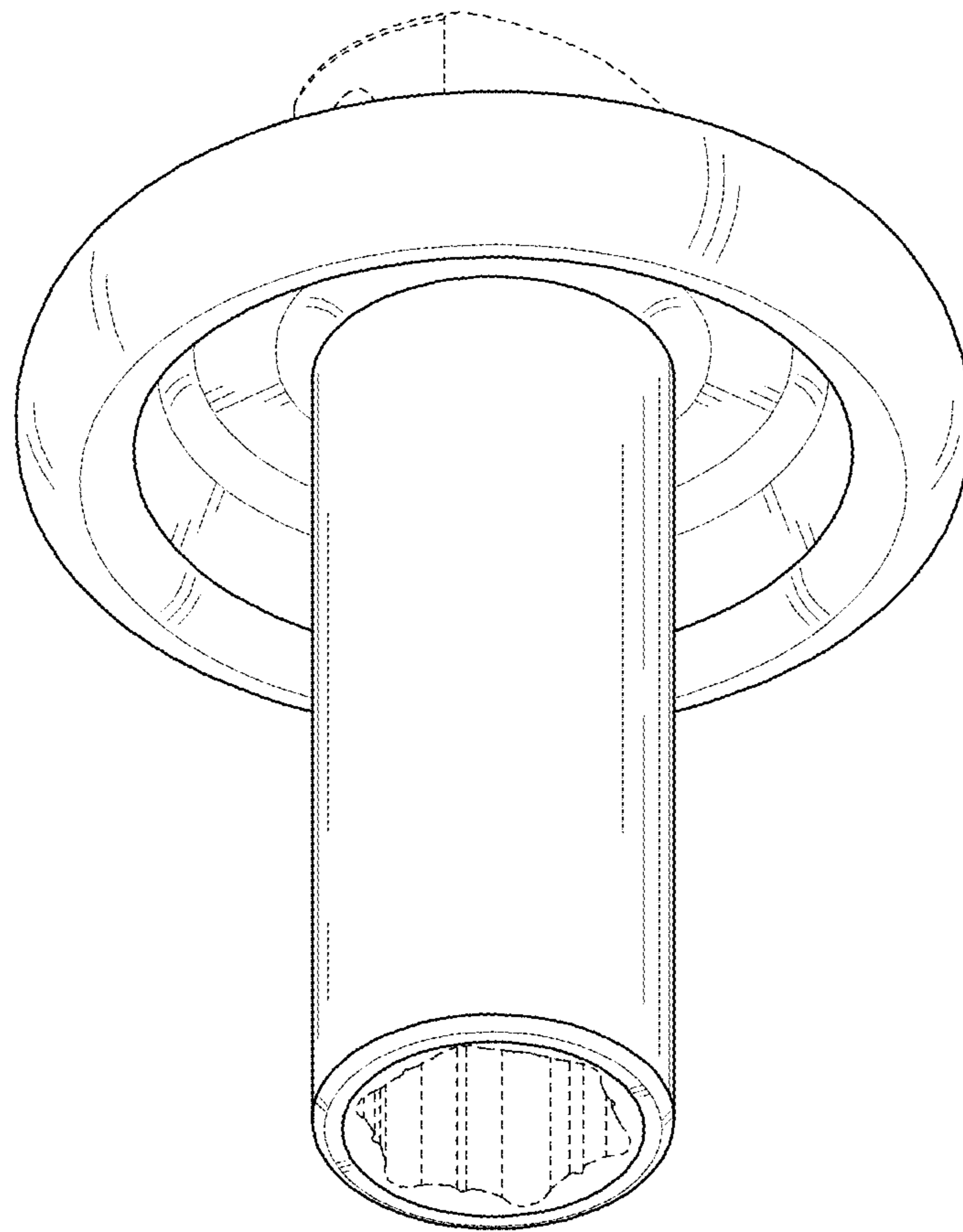


Fig. 8

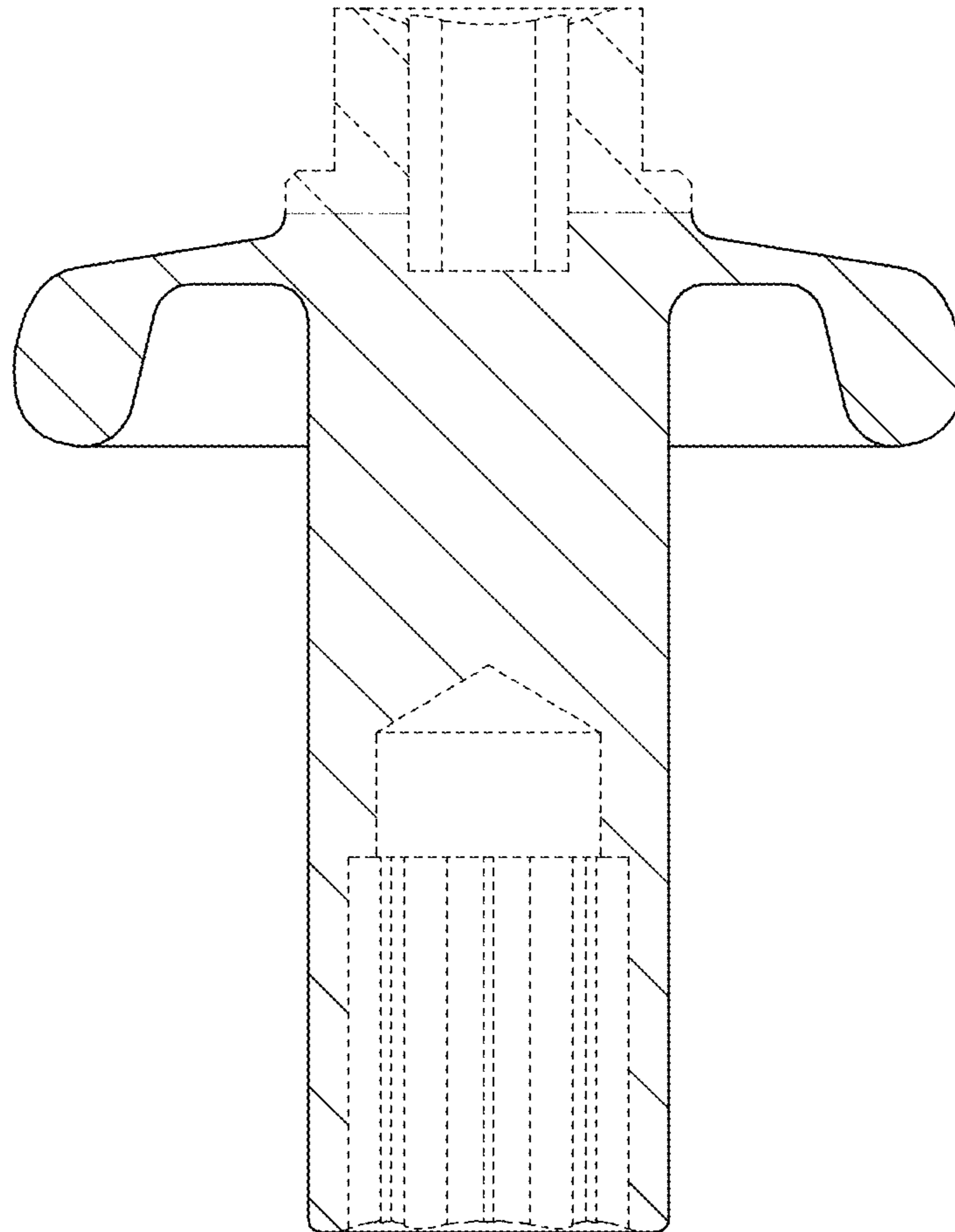


Fig. 9