



US00D923440S

(12) **United States Design Patent** (10) **Patent No.:** **US D923,440 S**
Gutierrez (45) **Date of Patent:** **** Jun. 29, 2021**

- (54) **HOE BLADE**
- (71) Applicant: **Victorio Gutierrez**, Bakersfield, CA (US)
- (72) Inventor: **Victorio Gutierrez**, Bakersfield, CA (US)
- (**) Term: **15 Years**
- (21) Appl. No.: **29/730,476**
- (22) Filed: **Apr. 4, 2020**
- (51) **LOC (13) Cl.** **08-01**
- (52) **U.S. Cl.**
USPC **D8/11**
- (58) **Field of Classification Search**
USPC D8/11, 9, 76, 81, 89, 78; D29/124
CPC A01B 1/06; A01B 1/08; A01B 1/10; A01B 1/12; A01B 1/16; A01B 1/20; A01B 1/22; A01B 1/222; A01B 1/227
See application file for complete search history.

- 5,964,299 A * 10/1999 Padgett A01G 3/06 172/13
- D429,126 S * 8/2000 Murdukhayev D8/1
- D431,762 S * 10/2000 Sorensen D8/11
- 6,339,975 B1 * 1/2002 Harpell E04D 15/003 254/131.5
- D457,792 S * 5/2002 Hung D8/11
- D476,201 S * 6/2003 Atnip D8/11
- D486,362 S * 2/2004 Atnip D8/11
- D562,092 S * 2/2008 Roberson D8/11
- D600,081 S * 9/2009 Mullen D8/13
- D661,958 S * 6/2012 Pizzeta D8/11
- D690,182 S * 9/2013 Cridlebaugh D8/81
- D718,583 S * 12/2014 Macey D8/11
- D775,502 S * 1/2017 Klingman D8/9
- D825,294 S * 8/2018 Raven D8/9

(Continued)

Primary Examiner — Sandra Snapp
Assistant Examiner — Ieisha N Price
(74) *Attorney, Agent, or Firm* — Ralph D Chabot

(57) **CLAIM**

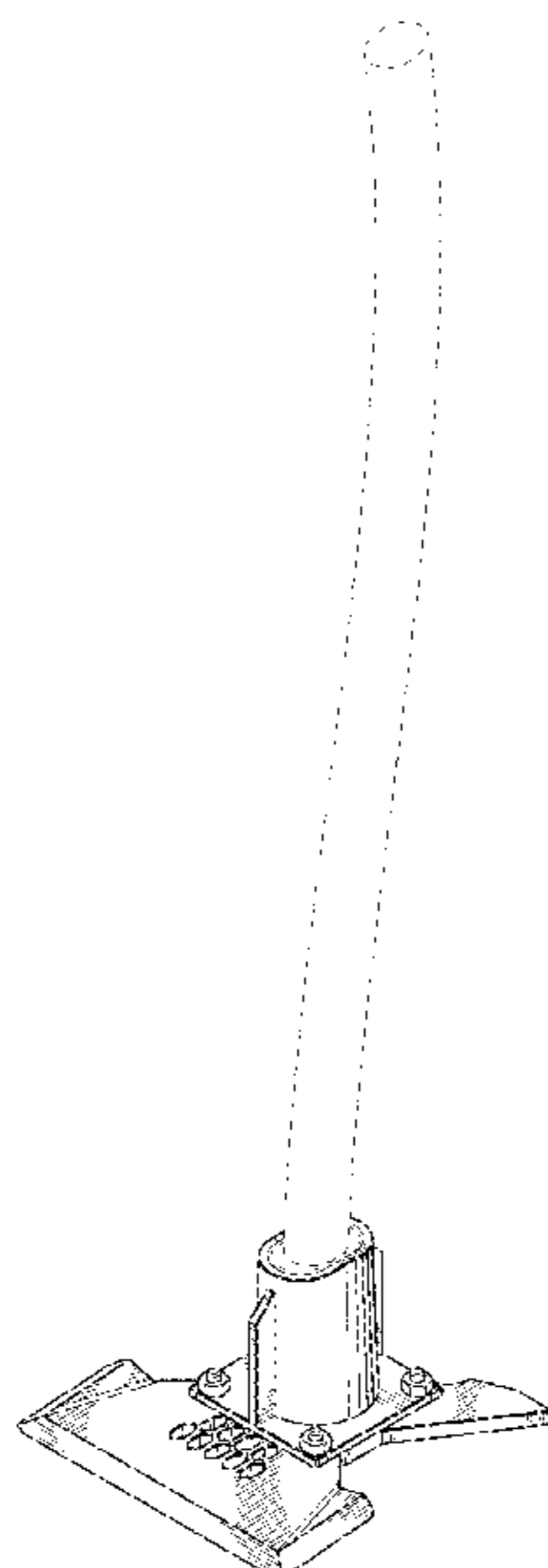
The ornamental design for a hoe blade, as shown and described.

DESCRIPTION

FIG. 1 is a top, front, right side perspective view showing the design;
FIG. 2 is a bottom left side perspective view thereof;
FIG. 3 is a front elevation view thereof;
FIG. 4 is a rear elevation view thereof;
FIG. 5 is a left side elevation view thereof, the right elevation view being a mirror image;
FIG. 6 is a top plan view thereof;
FIG. 7 is a bottom plan view thereof; and,
FIG. 8 is a perspective view of the hoe shown in an environment of use.
The broken line showing of the handle in FIG. 8 illustrates the environment of the claimed design and forms no part thereof.

1 Claim, 4 Drawing Sheets

- (56) **References Cited**
U.S. PATENT DOCUMENTS
456,142 A * 7/1891 Garner F16B 9/052 403/199
D29,389 S * 9/1898 Vinson D8/11
D33,378 S * 10/1900 Toups D8/11
790,228 A * 5/1905 Rohrer A01F 11/06 30/121.5
1,749,103 A * 3/1930 Kortick F16B 9/054 403/247
2,194,716 A * 3/1940 Neuhausen B25G 3/02 403/4
D123,051 S * 10/1940 Farmer D8/11
D279,348 S * 6/1985 Clivio D8/11
4,890,679 A * 1/1990 Jacobs A01B 1/20 172/371
D341,070 S * 11/1993 Warren D8/11
D376,966 S * 12/1996 Bartlett D8/11



(56)

References Cited

U.S. PATENT DOCUMENTS

D832,066 S * 10/2018 Takemura D8/13
D836,413 S * 12/2018 Fragale D8/13

* cited by examiner

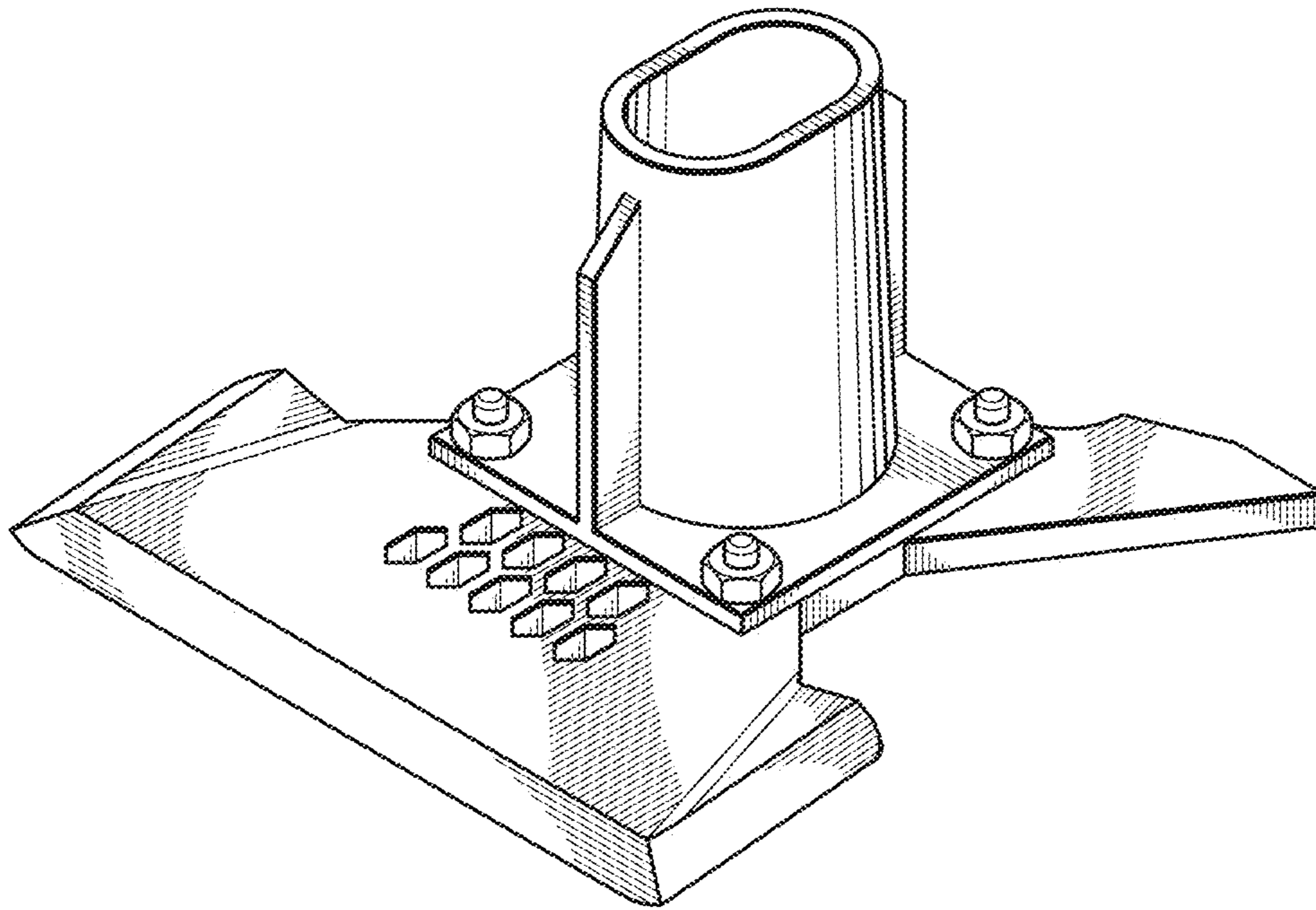


FIG. 1

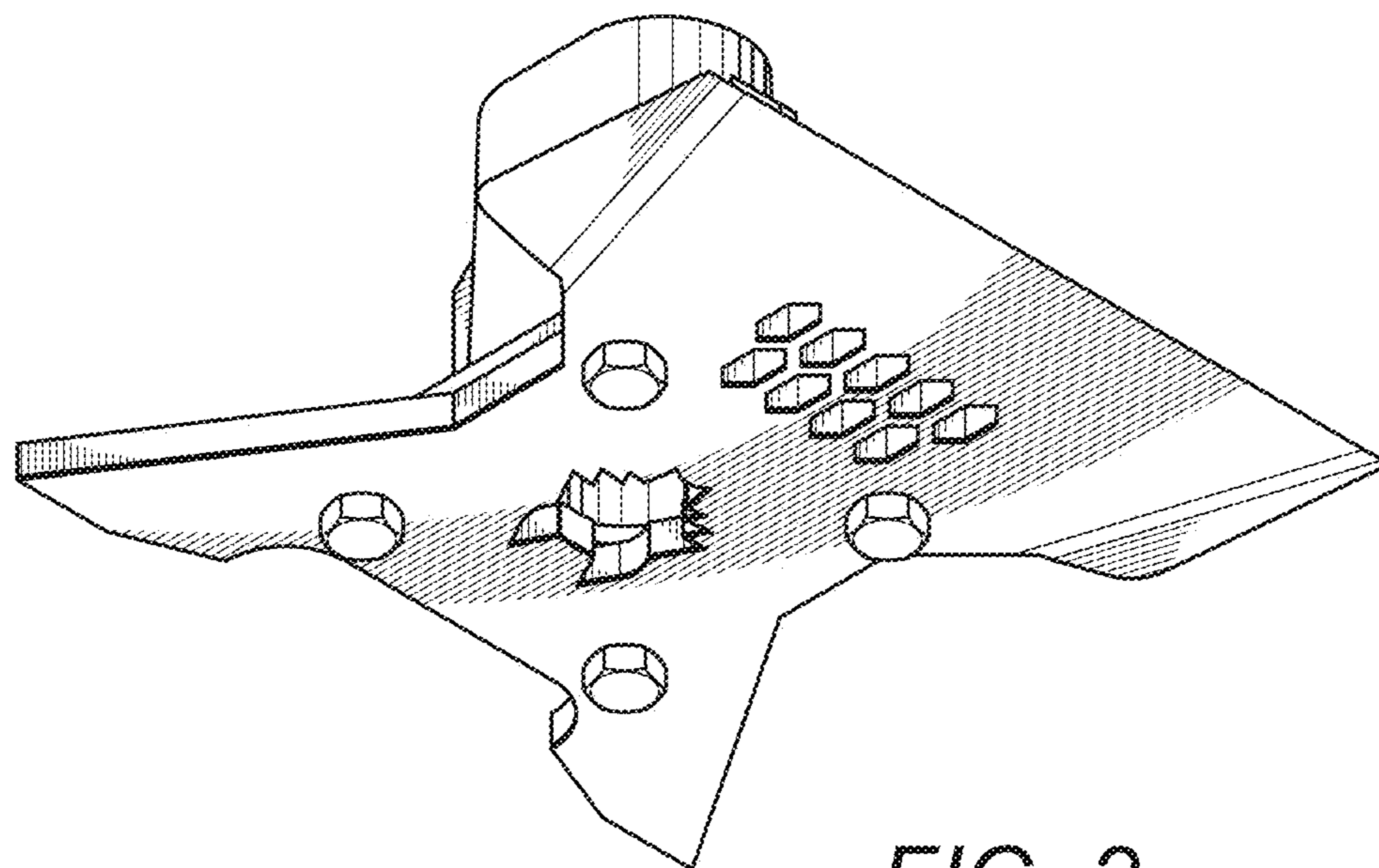


FIG. 2

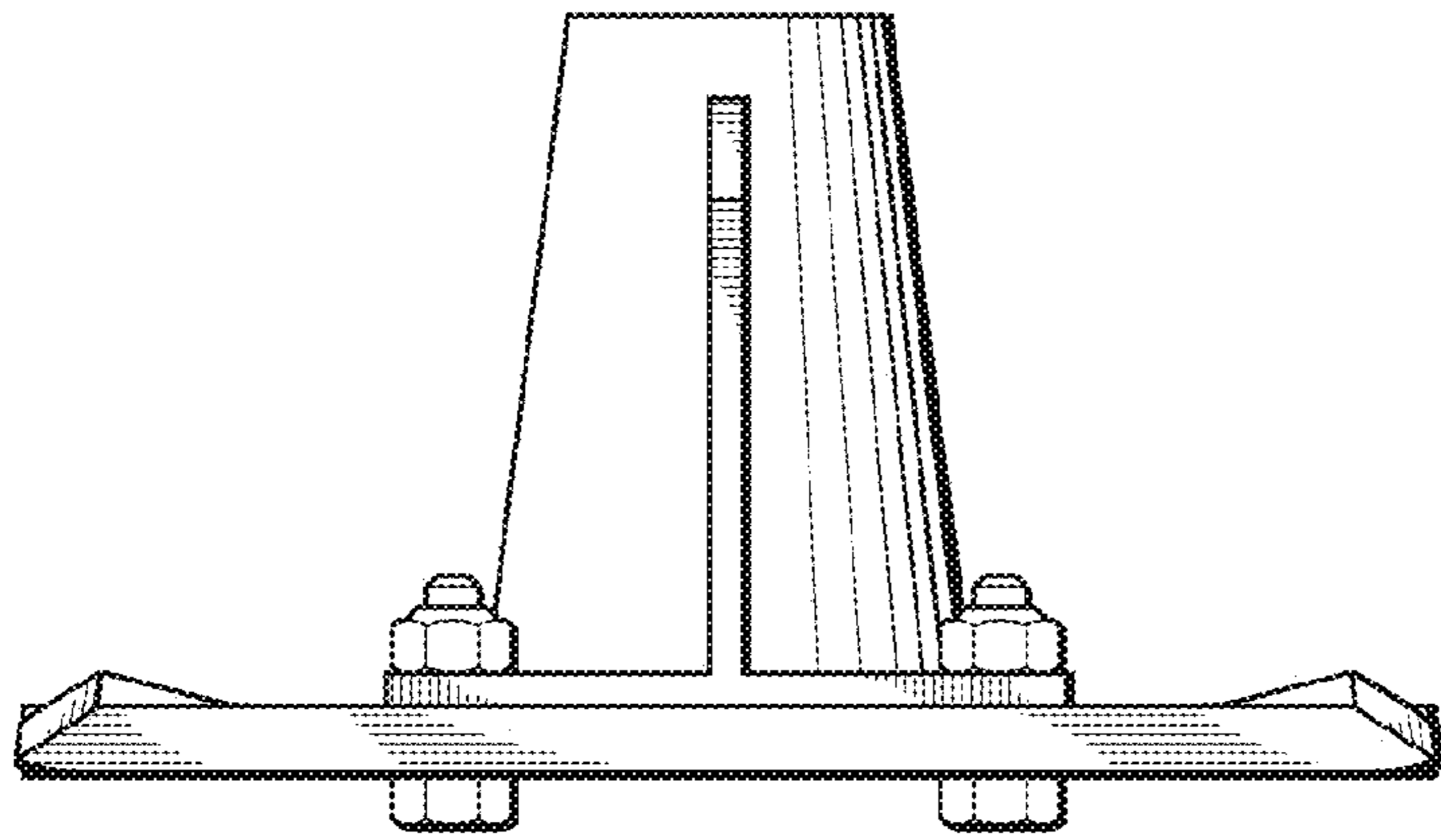


FIG. 3

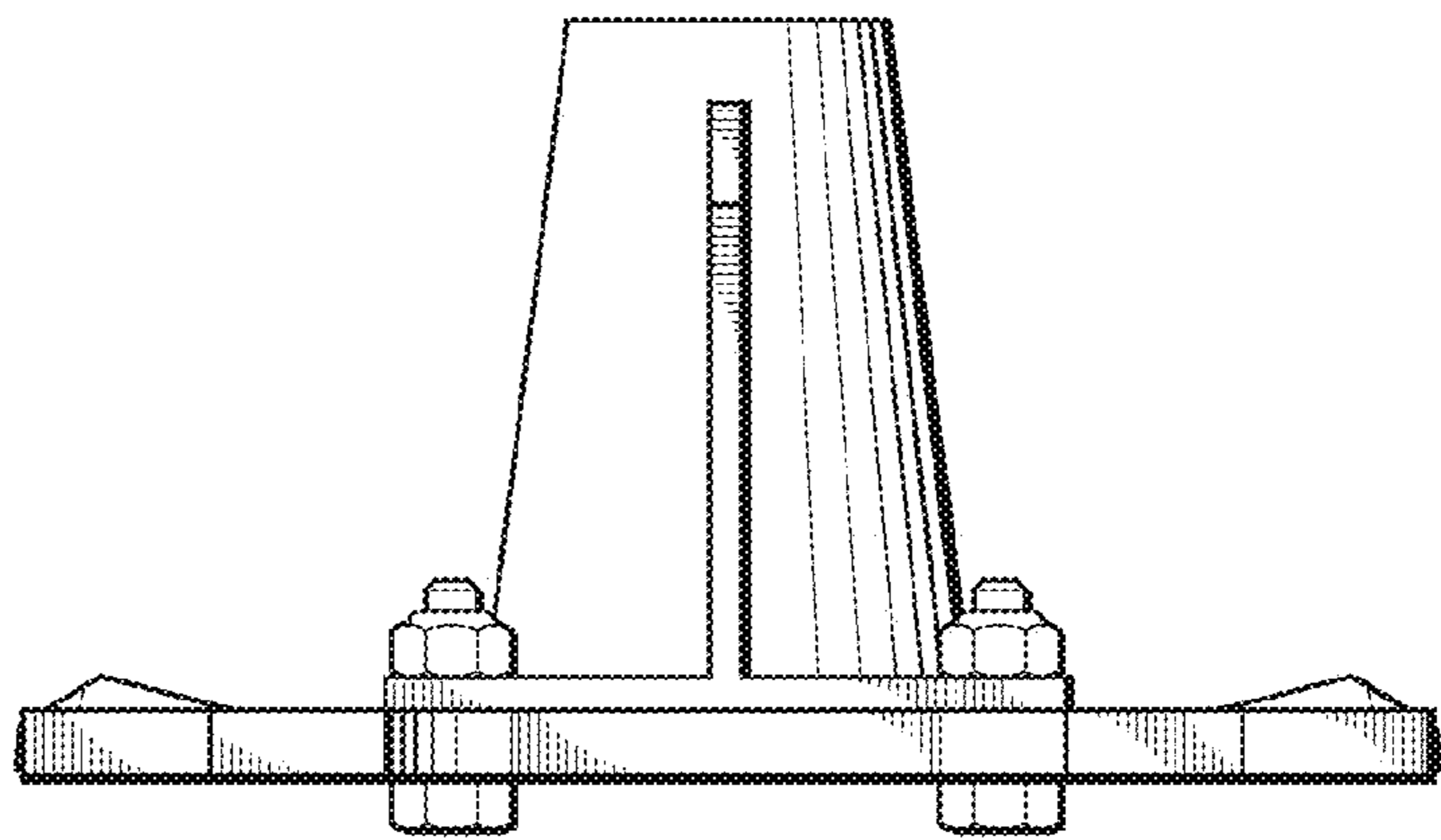


FIG. 4

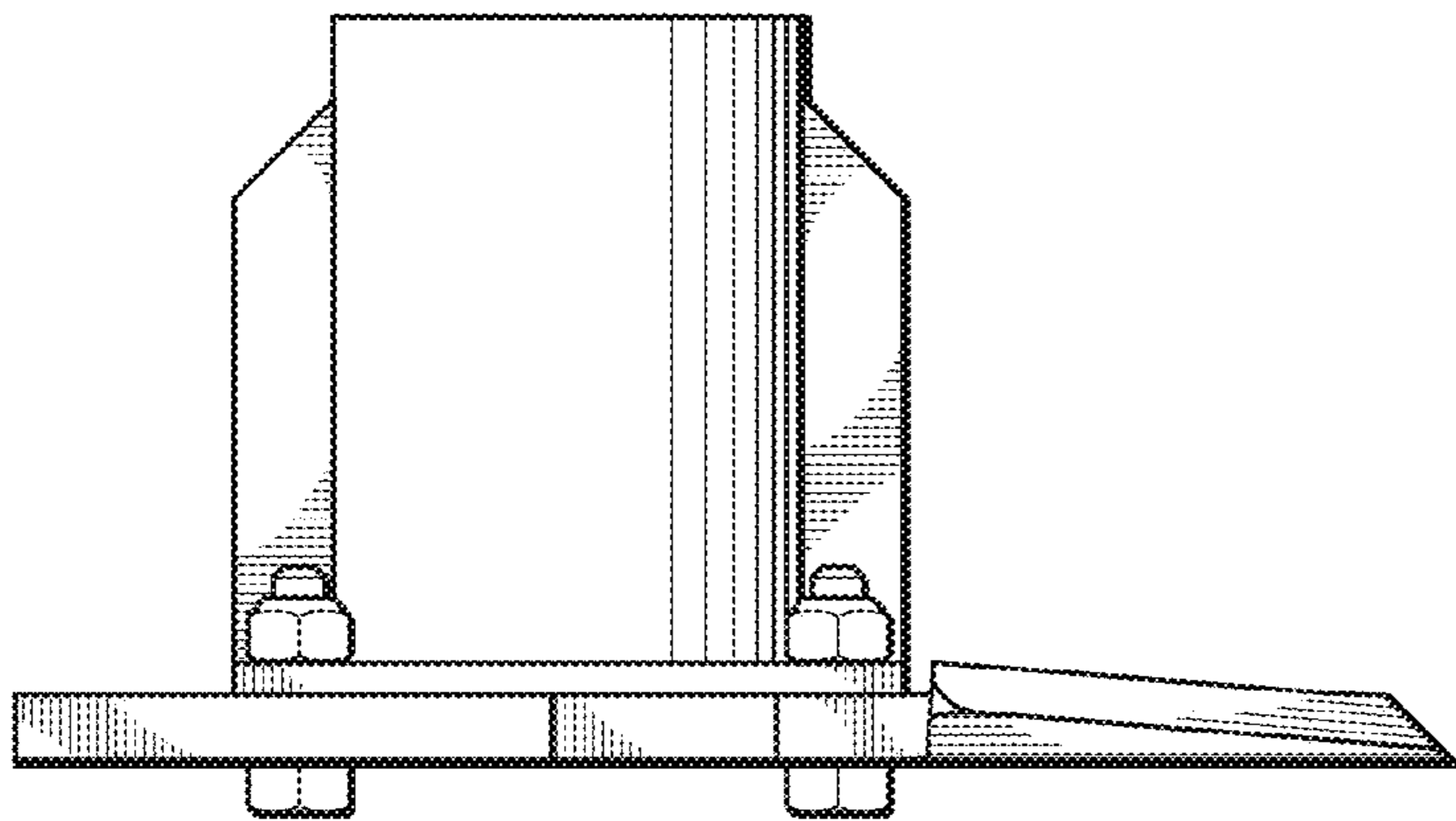


FIG. 5

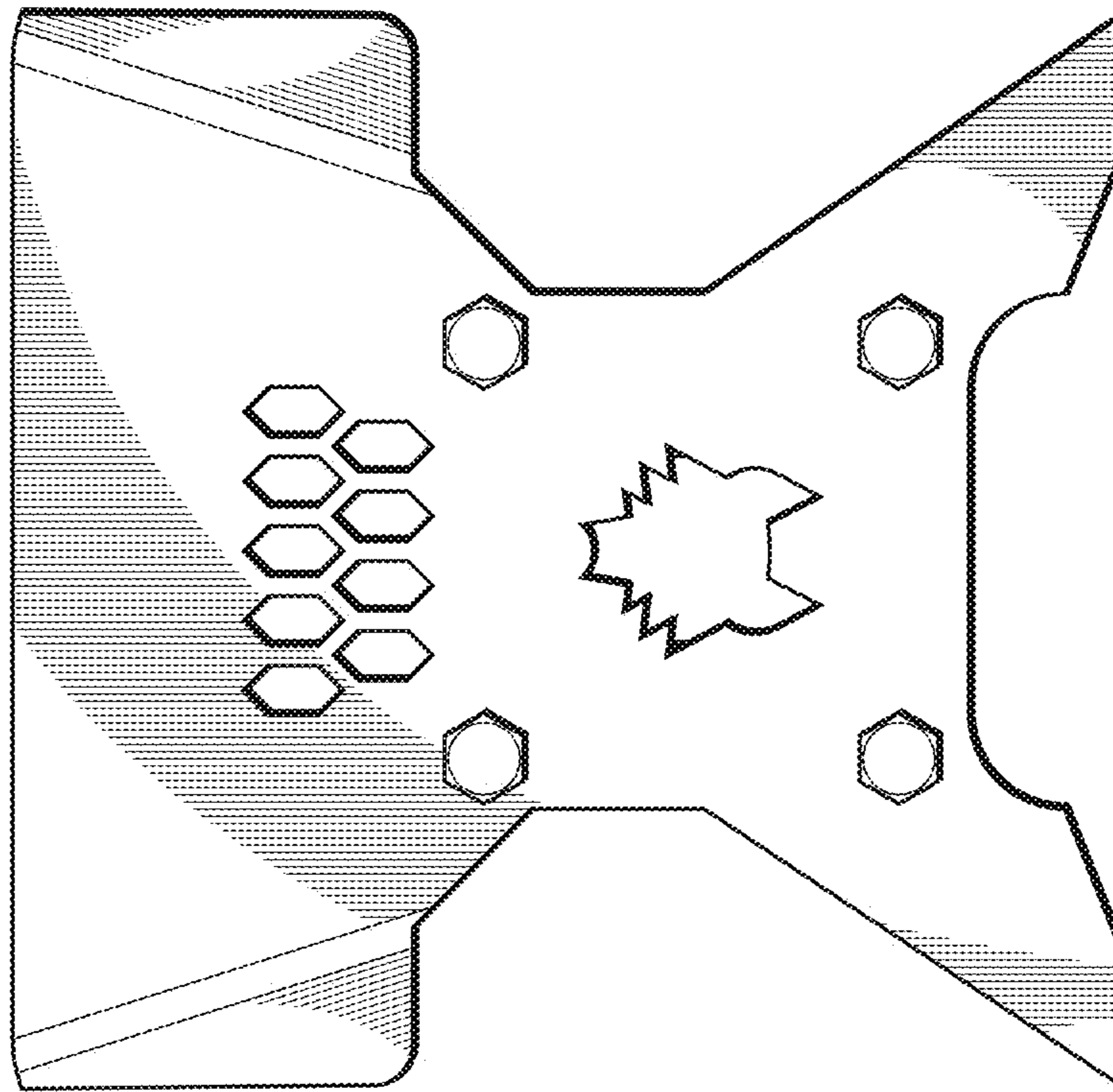


FIG. 7

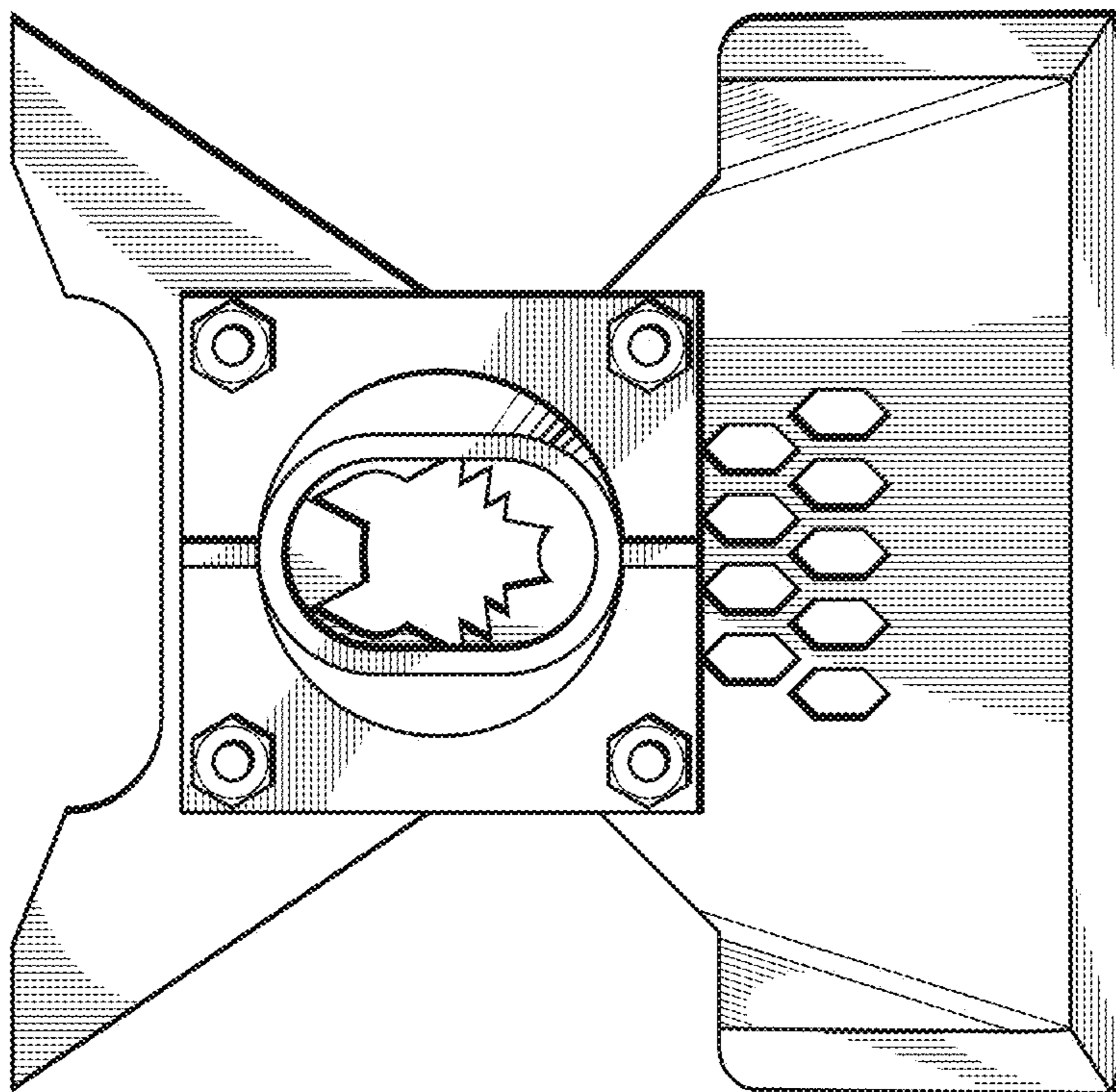


FIG. 6

FIG. 8

