



US00D923439S

(12) **United States Design Patent**
Gutierrez

(10) **Patent No.:** **US D923,439 S**
(45) **Date of Patent:** **** Jun. 29, 2021**

- (54) **HOE**
- (71) Applicant: **Victorio Gutierrez**, Bakersfield, CA
(US)
- (72) Inventor: **Victorio Gutierrez**, Bakersfield, CA
(US)
- (**) Term: **15 Years**
- (21) Appl. No.: **29/709,486**
- (22) Filed: **Oct. 15, 2019**
- (51) **LOC (13) Cl.** **08-01**
- (52) **U.S. Cl.**
USPC **D8/11**
- (58) **Field of Classification Search**
USPC D8/11, 9, 76, 81, 89, 78; D29/124
CPC A01B 1/06; A01B 1/08; A01B 1/10; A01B
1/12; A01B 1/16; A01B 1/20; A01B 1/22;
A01B 1/222; A01B 1/227
See application file for complete search history.

5,964,299	A *	10/1999	Padgett	A01G 3/06
					172/13
D429,126	S *	8/2000	Murdukhayev	D8/1
D431,762	S *	10/2000	Sorensen	D8/11
6,339,975	B1 *	1/2002	Harpell	E04D 15/003
					254/131.5
D457,792	S *	5/2002	Hung	D8/11
D476,201	S *	6/2003	Atnip	D8/11
D486,362	S *	2/2004	Atnip	D8/11
D562,092	S *	2/2008	Roberson	D8/11
D600,081	S *	9/2009	Mullen	D8/13
D661,958	S *	6/2012	Pizzeta	D8/11
D690,182	S *	9/2013	Cridlebaugh	D8/81
D718,583	S *	12/2014	Macey	D8/11
D775,502	S *	1/2017	Klingman	D8/9
D825,294	S *	8/2018	Raven	D8/9

(Continued)

Primary Examiner — Sandra Snapp
Assistant Examiner — Ieisha N Price
(74) *Attorney, Agent, or Firm* — Ralph D Chabot

(57) **CLAIM**

The ornamental design for a hoe, as shown and described.

DESCRIPTION

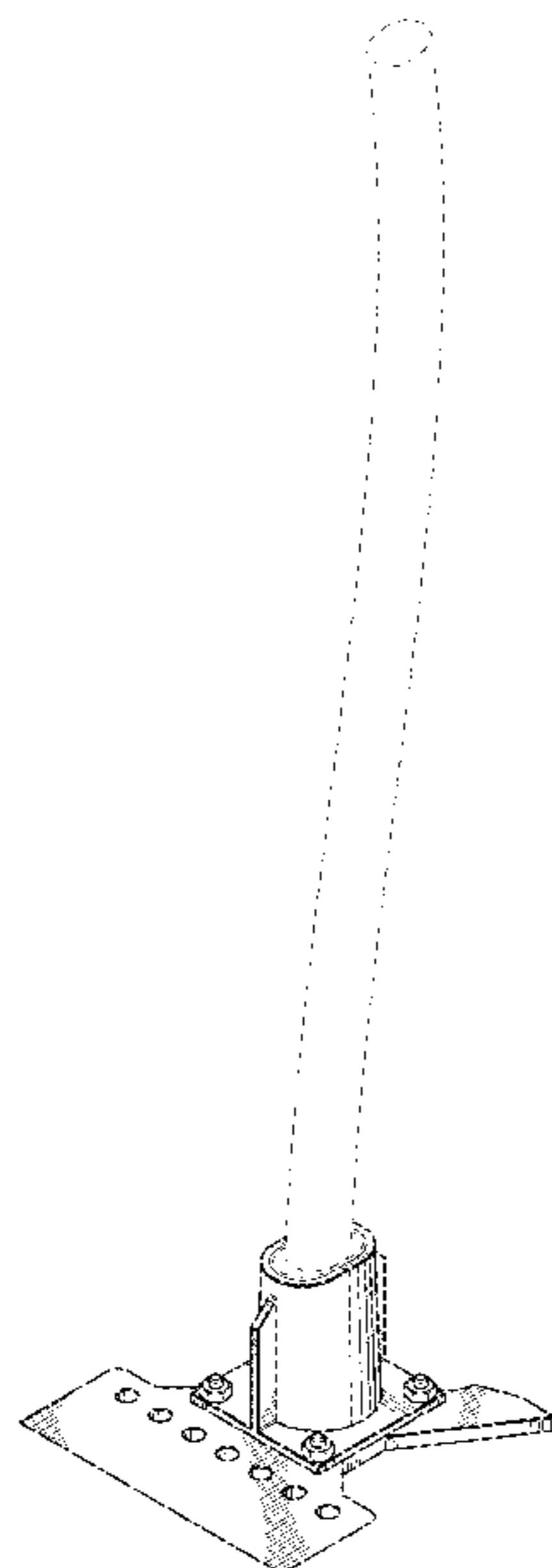
FIG. 1 is a top, front, right side perspective view showing the design;
FIG. 2 is a bottom left side perspective view thereof;
FIG. 3 is a front elevation view thereof;
FIG. 4 is a rear elevation view thereof;
FIG. 5 is a left side elevation view thereof, the right elevation view being a mirror image;
FIG. 6 is a top plan view thereof;
FIG. 7 is a bottom plan view thereof; and,
FIG. 8 is a perspective view of the hoe shown in an environment of use.
The broken line showing of the handle in FIG. 8 illustrates the environment of the claimed design and forms no part thereof.

1 Claim, 4 Drawing Sheets

(56) **References Cited**

U.S. PATENT DOCUMENTS

456,142	A *	7/1891	Garner	F16B 9/052
					403/199
D29,389	S *	9/1898	Vinson	D8/11
D33,378	S *	10/1900	Toups	D8/11
790,228	A *	5/1905	Rohrer	A01F 11/06
					30/121.5
1,749,103	A *	3/1930	Kortick	F16B 9/054
					403/247
2,194,716	A *	3/1940	Neuhausen	B25G 3/02
					403/4
D123,051	S *	10/1940	Farmer	D8/11
D279,348	S *	6/1985	Clivio	D8/11
4,890,679	A *	1/1990	Jacobs	A01B 1/20
					172/371
D341,070	S *	11/1993	Warren	D8/11
D376,966	S *	12/1996	Bartlett	D8/11



(56)

References Cited

U.S. PATENT DOCUMENTS

D832,066 S * 10/2018 Takemura D8/13
D836,413 S * 12/2018 Fragale D8/13

* cited by examiner

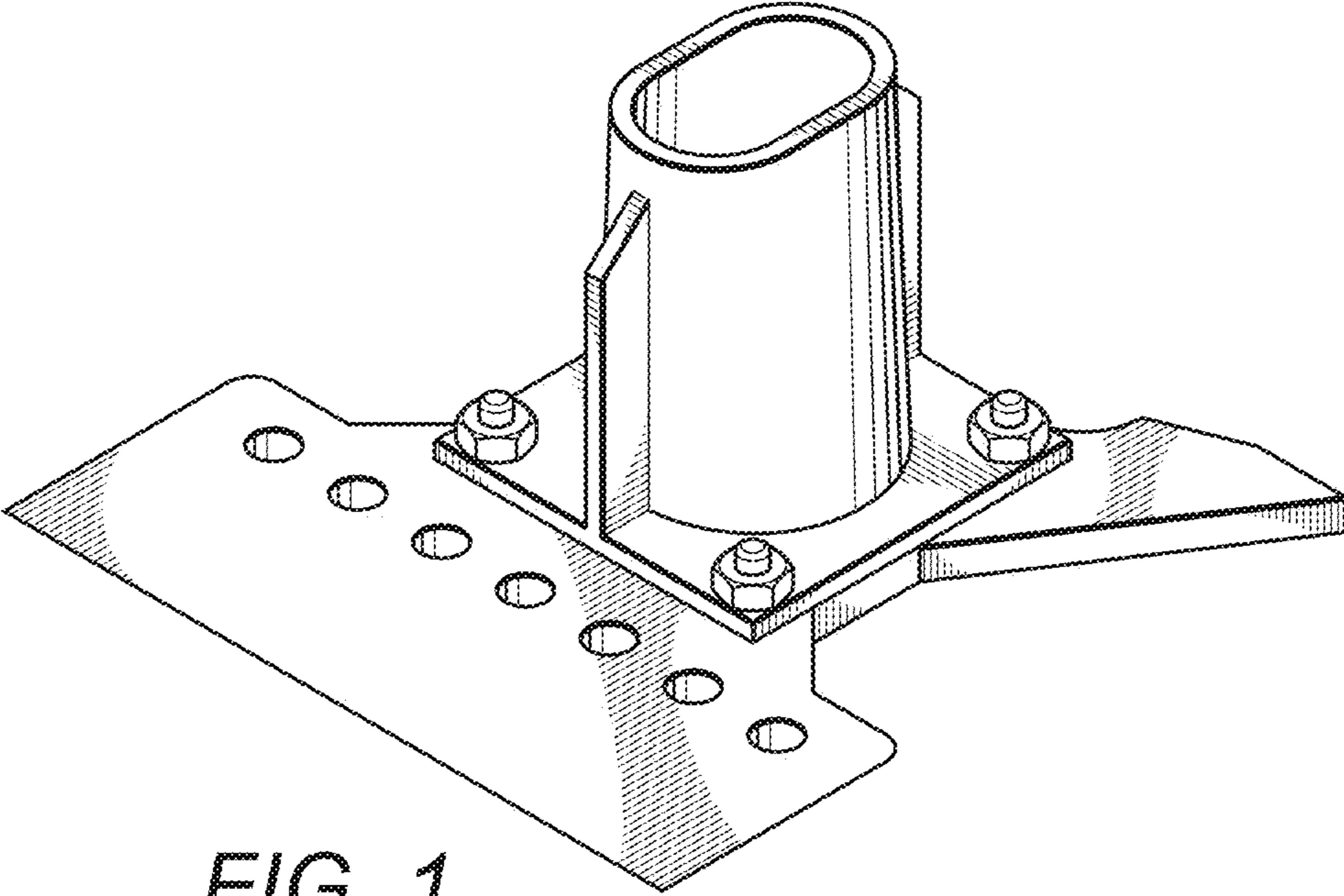


FIG. 1

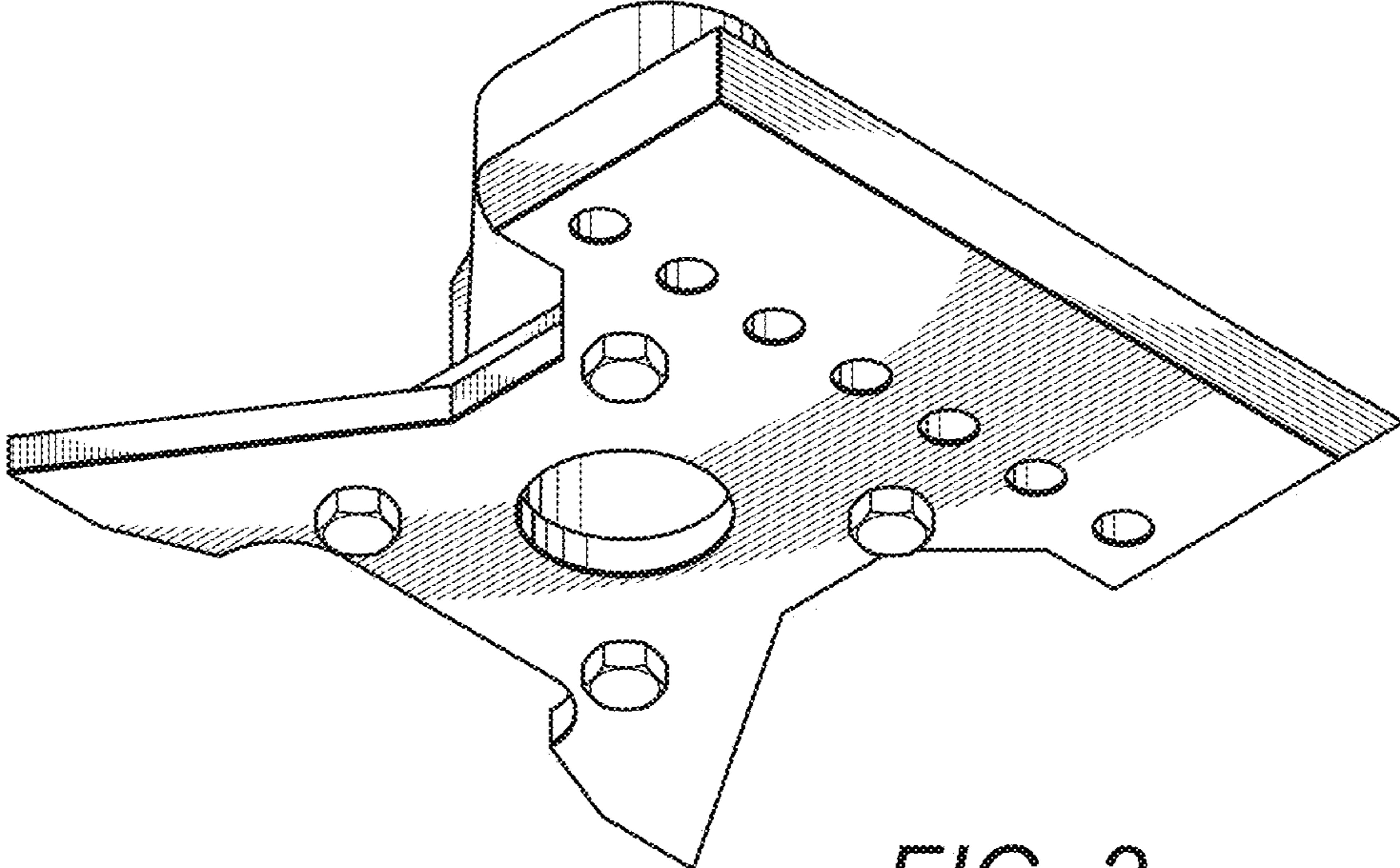


FIG. 2

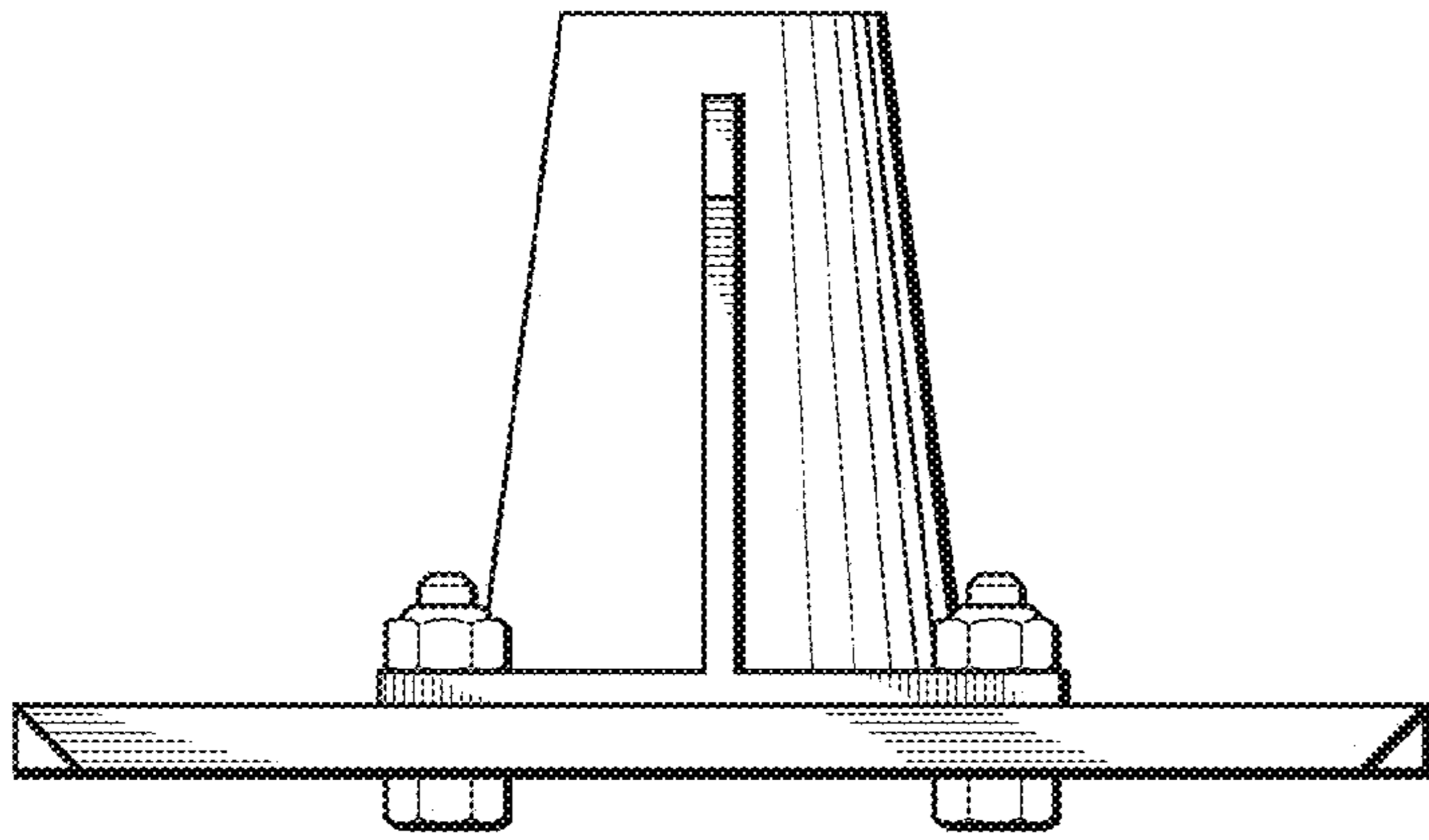


FIG. 3

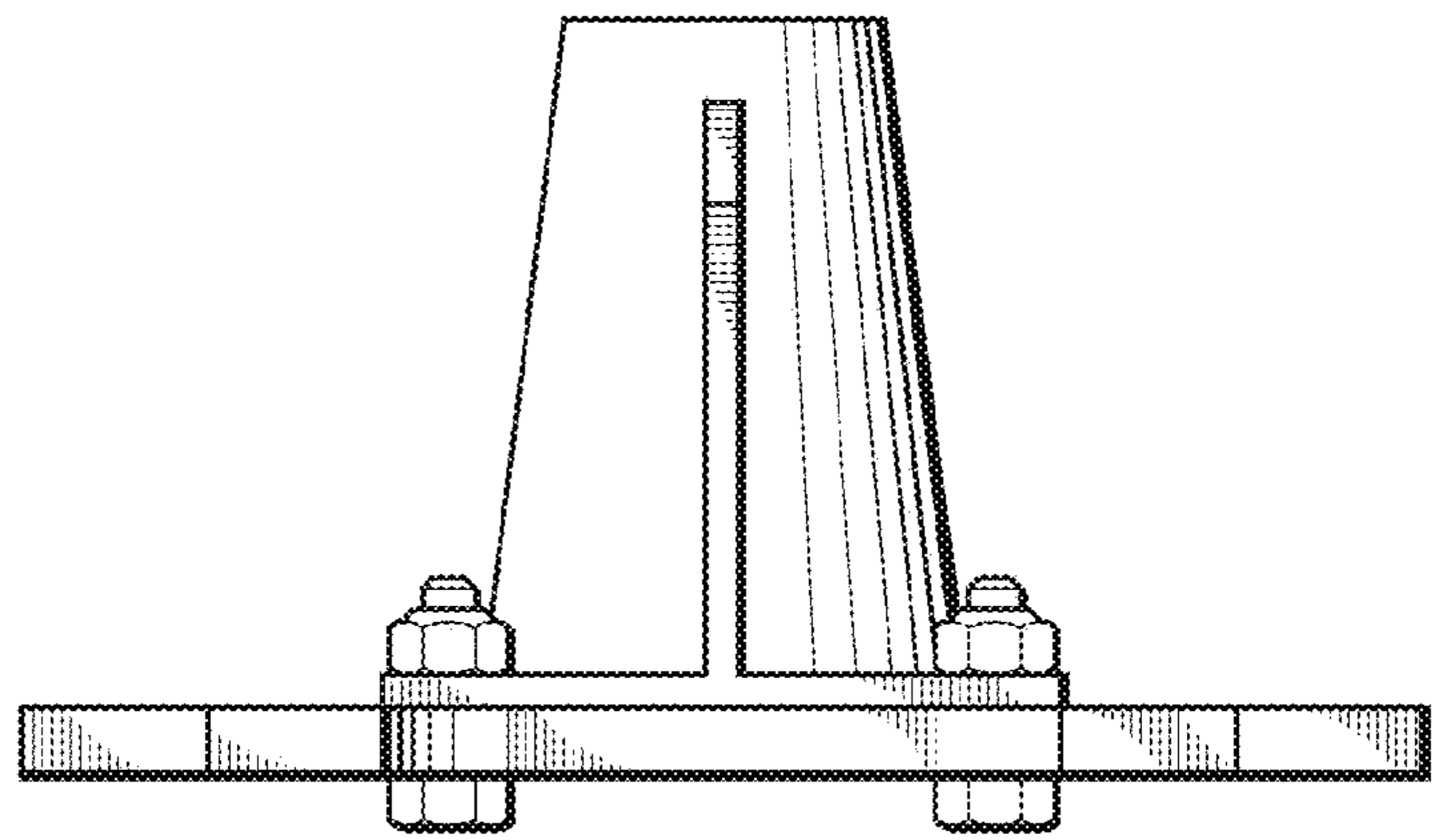


FIG. 4

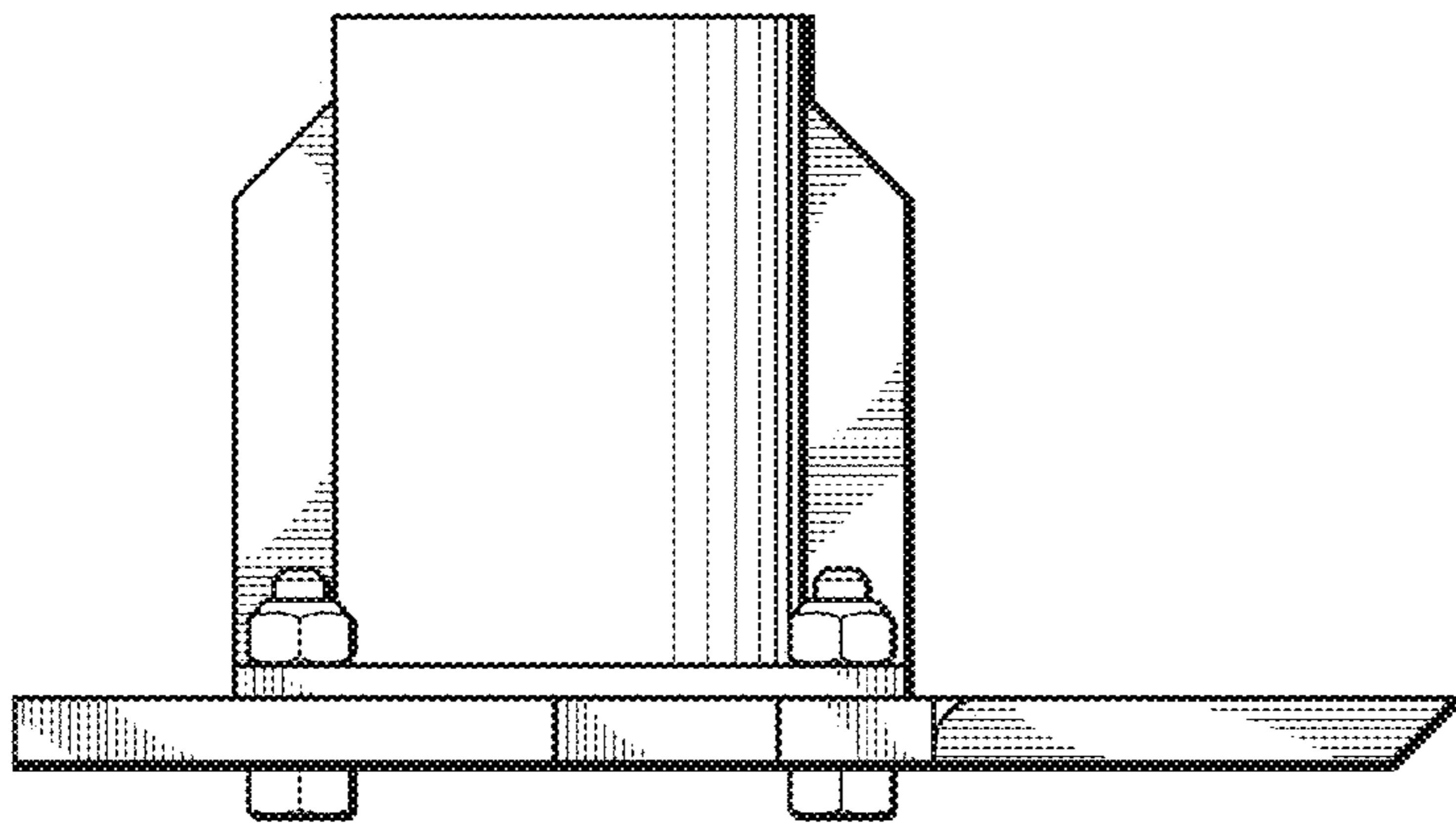


FIG. 5

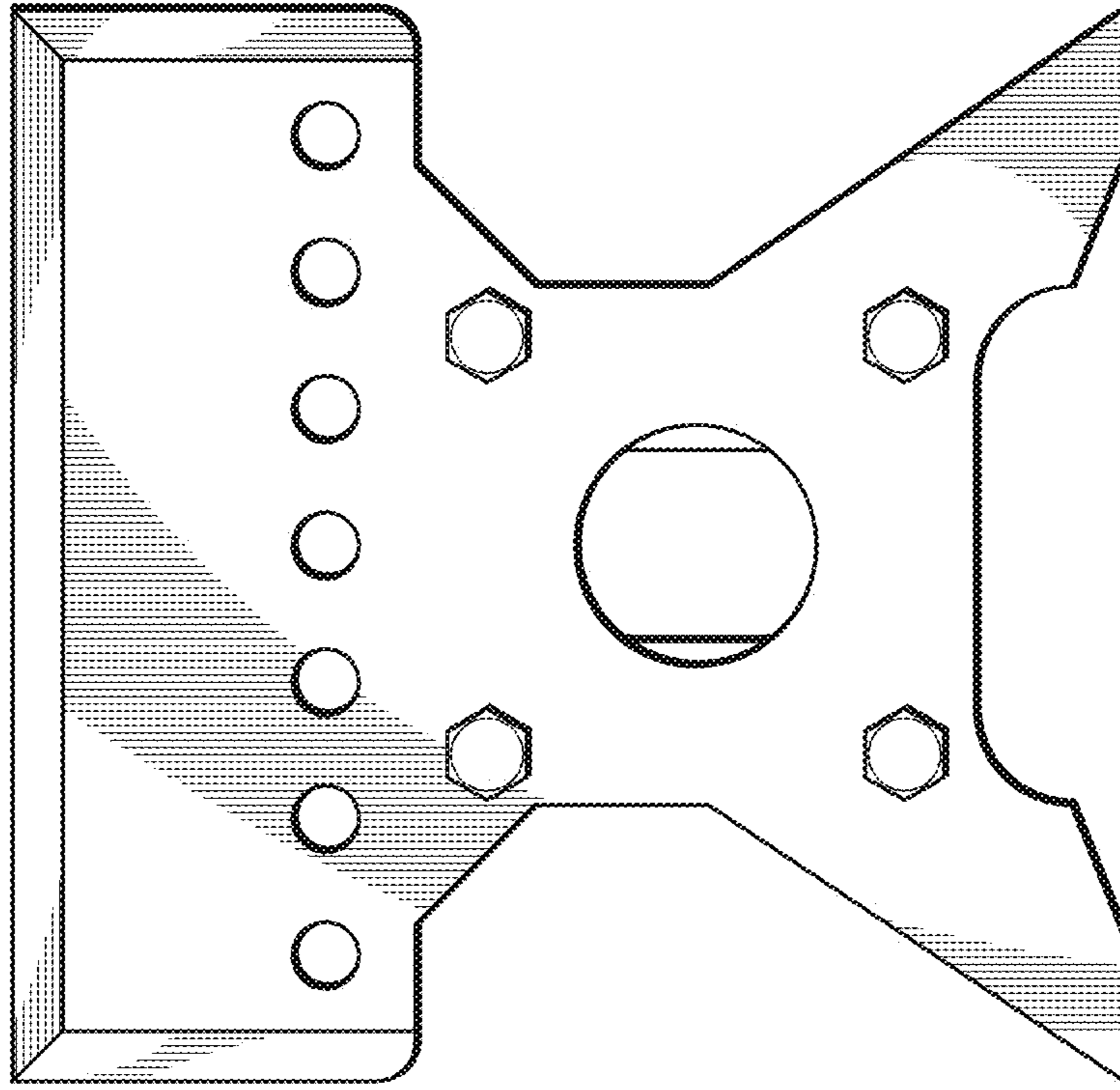


FIG. 7

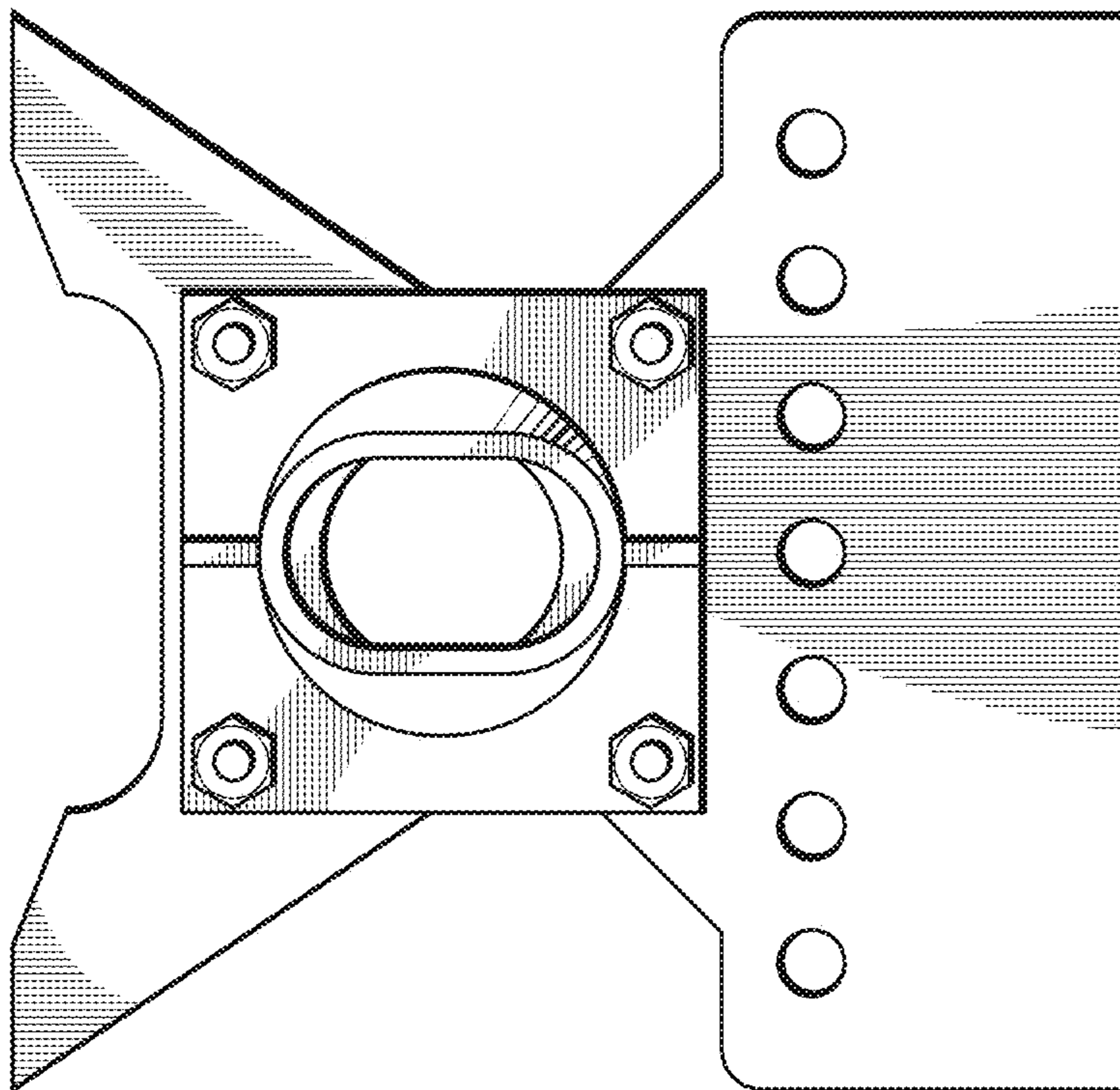


FIG. 6

FIG. 8

