



US00D923438S

(12) **United States Design Patent**
Vallo et al.

(10) **Patent No.:** **US D923,438 S**
(45) **Date of Patent:** **** Jun. 29, 2021**

- (54) **HORI HORI KNIFE**
- (71) Applicant: **Fiskars Finland Oy Ab**, Helsinki (FI)
- (72) Inventors: **Nicholas Vallo**, Helsinki (FI); **Stephen Dechant**, Helsinki (FI); **Brian Rojas-Edge**, Helsinki (FI)
- (73) Assignee: **FISKARS FINLAND OY AB**, Helsinki (FI)
- (**) Term: **15 Years**
- (21) Appl. No.: **29/711,681**
- (22) Filed: **Nov. 1, 2019**
- (51) **LOC (13) Cl.** **08-03**
- (52) **U.S. Cl.**
USPC **D8/9; D7/650**
- (58) **Field of Classification Search**
USPC D8/7, 9, 10; D22/118; D7/649, 650
CPC A01B 1/16; A01B 1/08; A01B 1/12; A01B 1/14; A01G 20/30; B26B 3/00; B26B 3/02; B26B 3/03; B26B 3/06; B26B 9/00; B26B 9/02
See application file for complete search history.

- (56) **References Cited**
U.S. PATENT DOCUMENTS
- D162,777 S * 4/1951 Berger D7/650
- 4,970,785 A * 11/1990 Collins B26B 5/00
30/123
- D318,212 S * 7/1991 Collins D8/98
- D354,206 S * 1/1995 Kunzle D8/9
- 5,581,889 A * 12/1996 Reuter A01B 1/08
172/378
- 6,293,020 B1 * 9/2001 Julien B21K 11/02
30/346.53
- D456,236 S * 4/2002 Norton D8/14
- D468,973 S * 1/2003 Sun D7/650
- D473,617 S * 4/2003 Rae D22/118

- D486,046 S * 2/2004 Norton D32/48
- D490,290 S * 5/2004 Norton D32/46
- D579,287 S * 10/2008 Hyp D8/9
- D584,582 S * 1/2009 Wong D8/10
- D600,518 S * 9/2009 Liu D8/9
- D682,055 S * 5/2013 Hyp D8/9
- 8,495,777 B1 * 7/2013 Dixon B25D 1/02
7/144
- D720,583 S * 1/2015 Hyp D8/9
- D785,746 S * 5/2017 Burton D22/118
- D799,288 S * 10/2017 Baker D8/11
- D810,528 S * 2/2018 Baker D8/11
- D846,957 S * 4/2019 Nagrani D7/650
- D875,484 S * 2/2020 Workman D8/10
- D899,552 S * 10/2020 Berenji D22/118
- D901,263 S * 11/2020 Citron D8/10
- 2011/0080014 A1 * 4/2011 Baker A01B 1/02
294/51

(Continued)

Primary Examiner — Sandra Snapp
Assistant Examiner — Ieisha N Price
(74) *Attorney, Agent, or Firm* — Leason Ellis LLP

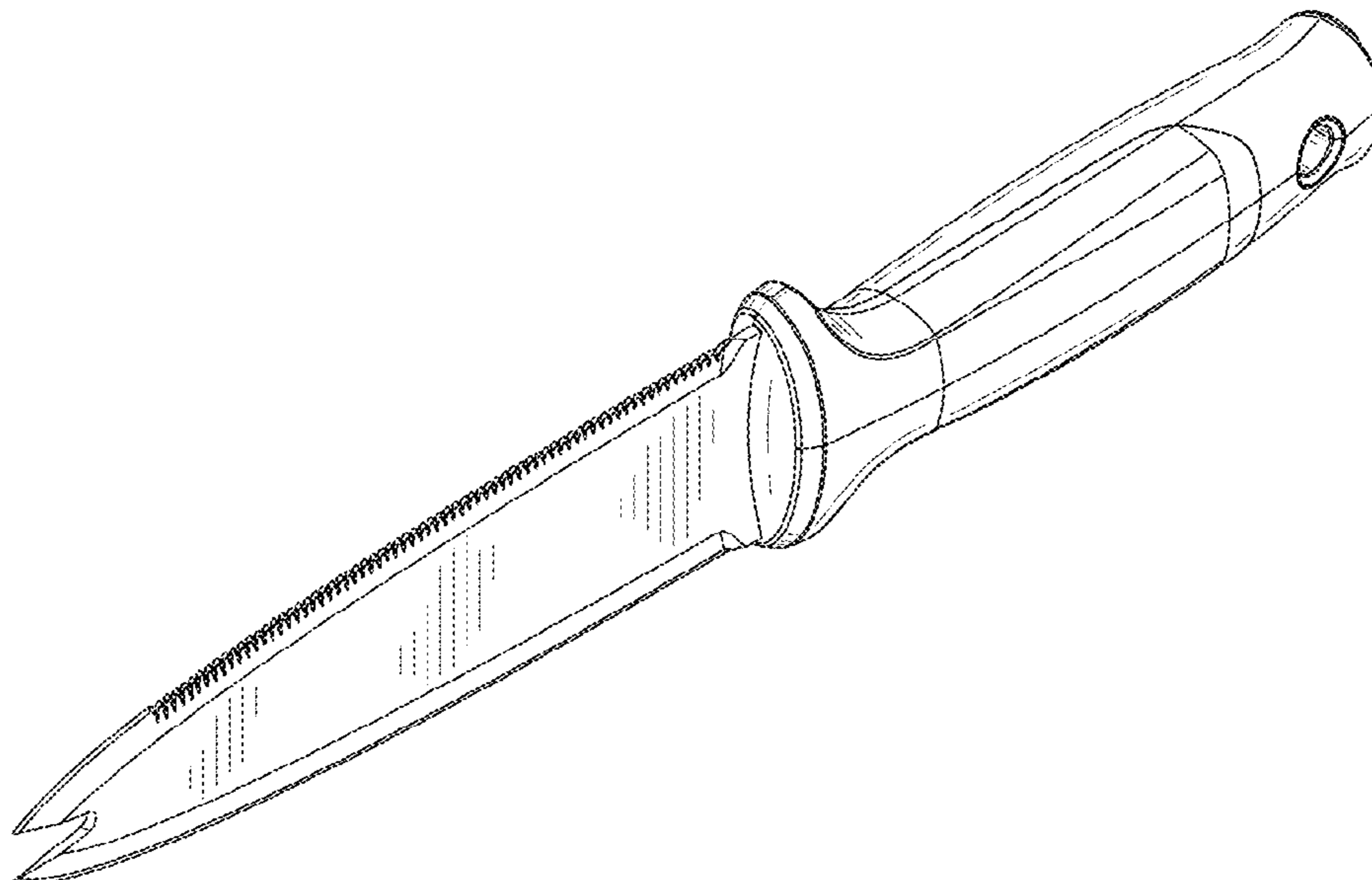
(57) **CLAIM**

The ornamental design for a hori hori knife, as shown and described.

DESCRIPTION

FIG. 1 is a perspective view of a hori hori knife according to our new design;
FIG. 2 is a front view thereof;
FIG. 3 is a rear view thereof;
FIG. 4 is a right, side view thereof;
FIG. 5 is a left, side view thereof;
FIG. 6 is a top plan view thereof; and,
FIG. 7 is a bottom plan view thereof.
The conventional shading illustrated in the drawings are for purposes of highlighting the contours of the claimed design and forms no part thereof.

1 Claim, 7 Drawing Sheets



(56)

References Cited

U.S. PATENT DOCUMENTS

2014/0173832 A1* 6/2014 Kim B26B 9/02
7/156

* cited by examiner

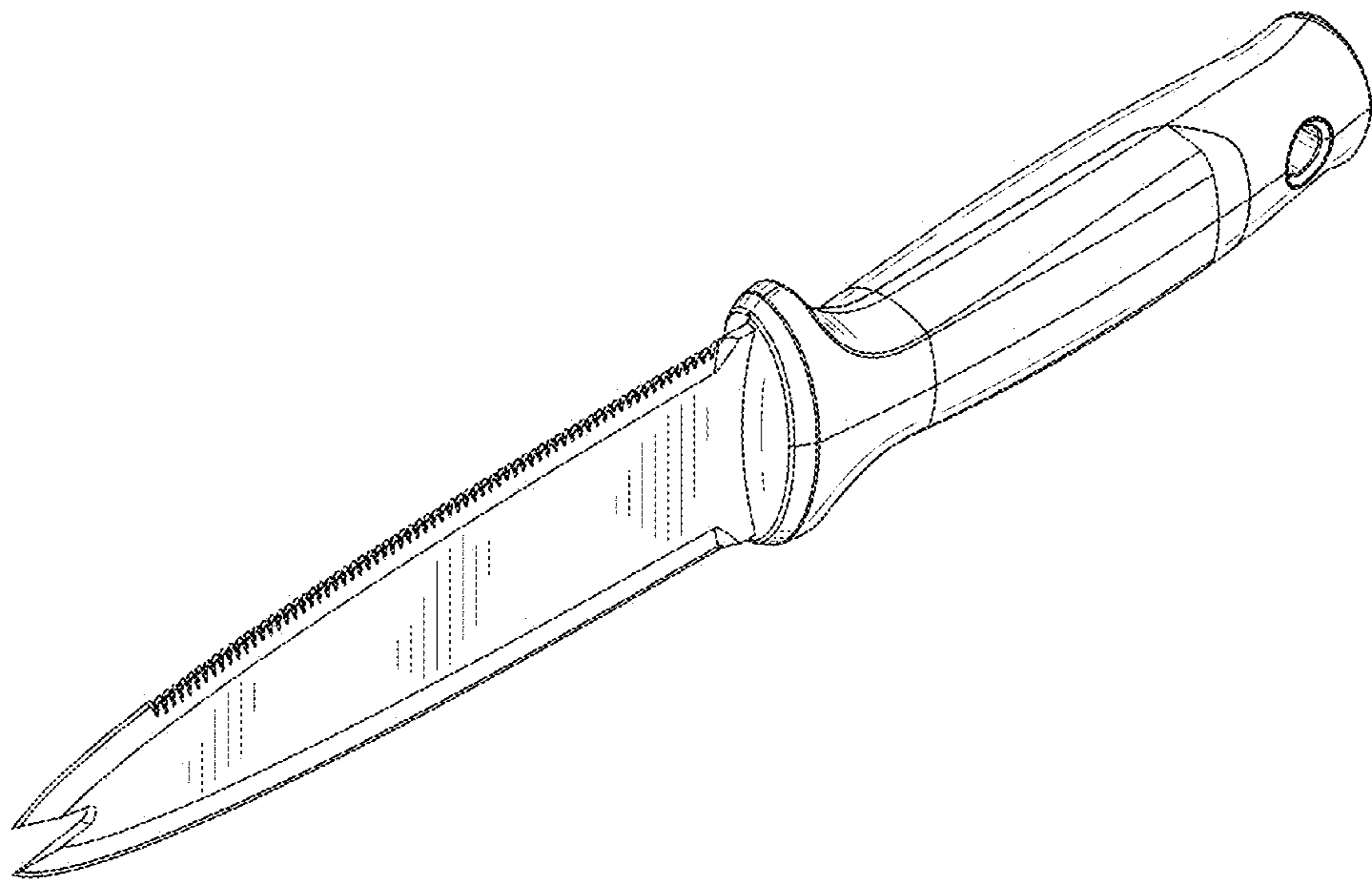


FIG. 1

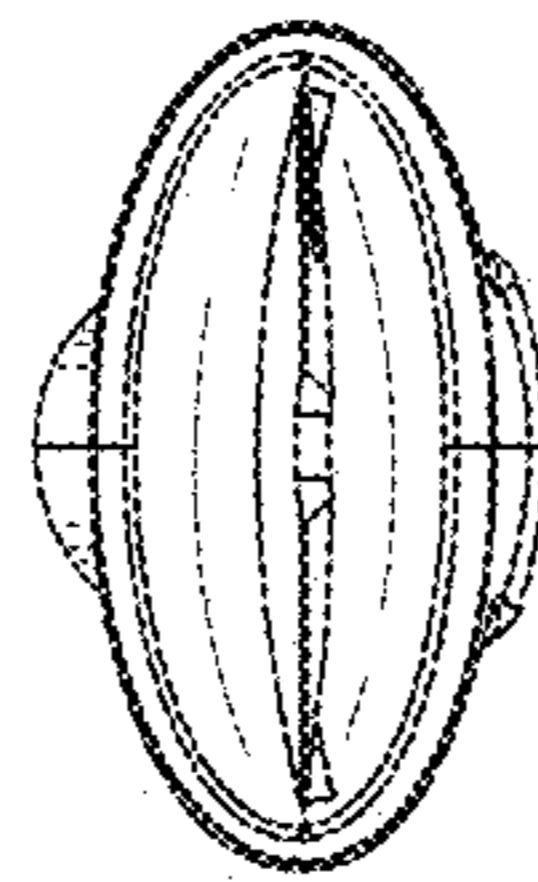


FIG. 2

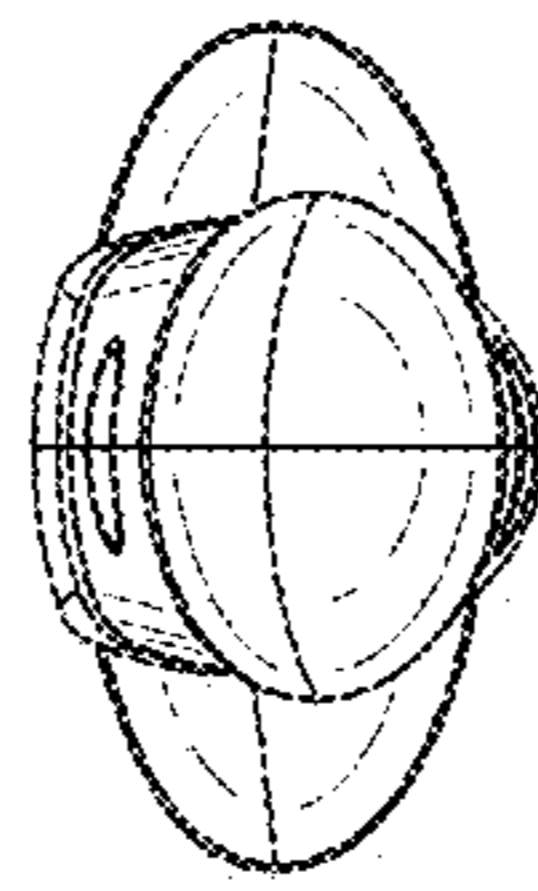


FIG. 3

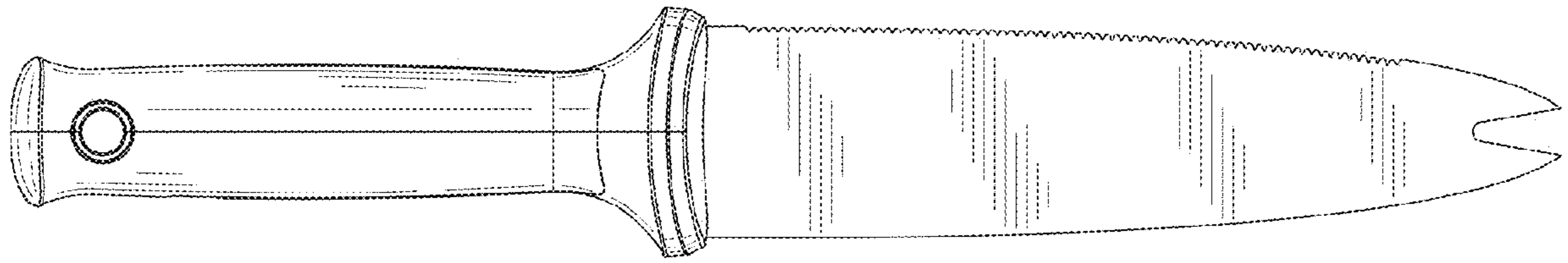


FIG. 4

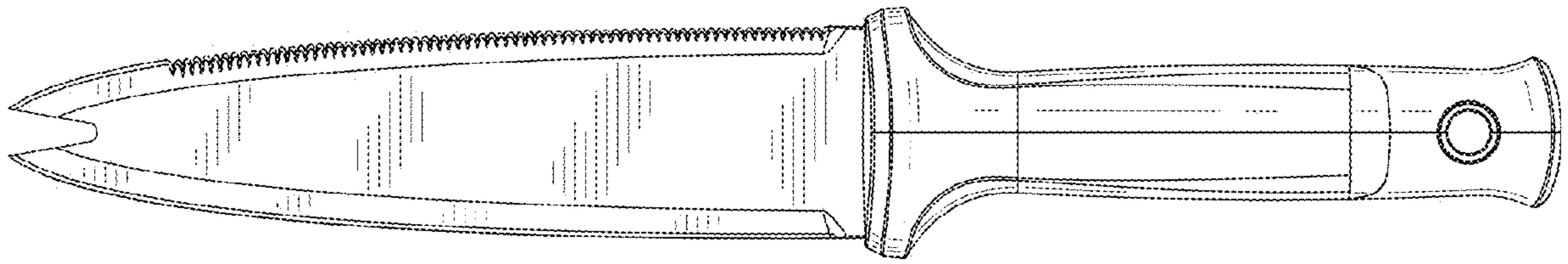


FIG. 5

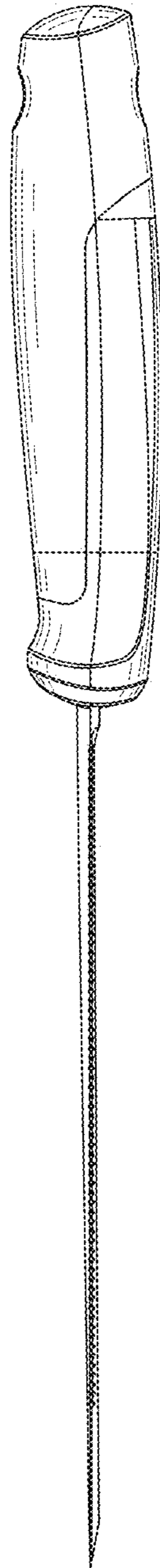


FIG. 6

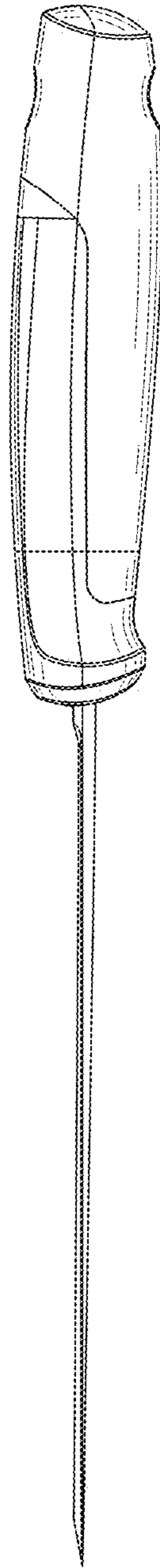


FIG. 7

UNITED STATES PATENT AND TRADEMARK OFFICE
CERTIFICATE OF CORRECTION

PATENT NO. : D923,438 S
APPLICATION NO. : 29/711681
DATED : June 29, 2021
INVENTOR(S) : Nicholas Vallo, Stephen Dechant and Brian Rojas-Edge

Page 1 of 1

It is certified that error appears in the above-identified patent and that said Letters Patent is hereby corrected as shown below:

On the Title Page

Item [72]:

“Nicholas Vallo, Helsinki (FI)” should read “Nicholas Vallo, Madison, WI (US)”

“Stephen Dechant, Helsinki (FI)” should read “Stephen Dechant, Waunakee, WI (US)”

“Brian Rojas-Edge, Helsinki (FI)” should read “Brian Rojas-Edge, Madison, WI (US)”

Signed and Sealed this
First Day of February, 2022



Drew Hirshfeld
*Performing the Functions and Duties of the
Under Secretary of Commerce for Intellectual Property and
Director of the United States Patent and Trademark Office*