



US00D923437S

(12) **United States Design Patent** (10) **Patent No.:** **US D923,437 S**  
**Cabrera et al.** (45) **Date of Patent:** **\*\* Jun. 29, 2021**

(54) **BEVERAGE CUP CARRIER**

(71) Applicants: **Rodolfo R. Cabrera**, Lake Havasu City, AZ (US); **Mario A. Cabrera**, Banning, CA (US)

(72) Inventors: **Rodolfo R. Cabrera**, Lake Havasu City, AZ (US); **Mario A. Cabrera**, Banning, CA (US)

(\*\*) Term: **15 Years**

(21) Appl. No.: **29/720,159**

(22) Filed: **Jan. 10, 2020**

(51) **LOC (13) Cl.** ..... **07-06**

(52) **U.S. Cl.**  
USPC ..... **D7/706**

(58) **Field of Classification Search**

USPC ..... D7/601, 602, 701, 703, 705, 706, 707, D7/708, 708.1, 619.1, 622; D3/201, 273, D3/295, 7, 309; D6/672, 675, 675.1, D6/675.2, 675.3, 675.5, 678, 678.1, D6/678.2, 682, 682.1, 682.3, 682.4, 683, D6/683.1, 702, 705; D9/414, 423, 424, D9/455, 751, 757, 761, 434, 452, 752  
CPC ..... A47B 73/00; A47B 73/006; A47B 88/00; A47B 88/40; A47B 2210/06; A47B 2210/07; A47B 2210/08; A45C 11/20; A47G 19/2255; A47G 19/2261; A47G 19/32; A47G 21/001; A47G 23/02; A47G 23/0208; A47G 23/0216; A47G 23/0225; A47G 23/0258; A47G 23/0266; A47G 23/0316; A47G 23/06; A47G 23/0641; A47G 2023/0283; A47G 29/093; A47G 23/0616; A47J 47/14; A47J 47/16

See application file for complete search history.

(56) **References Cited**

U.S. PATENT DOCUMENTS

1,884,970 A \* 10/1932 Davis ..... A47G 23/065  
294/143  
2,533,997 A \* 12/1950 Cochrane ..... A47G 23/0616  
294/159  
D230,531 S \* 2/1974 Thomas ..... D3/9

(Continued)

OTHER PUBLICATIONS

Reusable Drink Carrier For Delivery with Handle, iscordunesa, [online], [site visited Apr. 2, 2021], Available from internet URL: [https://www.iscordunesa.com/index.php?main\\_page=product\\_info&products\\_id=423285](https://www.iscordunesa.com/index.php?main_page=product_info&products_id=423285) (Year: 2021).\*

*Primary Examiner* — Mary Ann Calabrese

*Assistant Examiner* — Natalya M Rapundalo

(74) *Attorney, Agent, or Firm* — Richard D. Clarke

(57) **CLAIM**

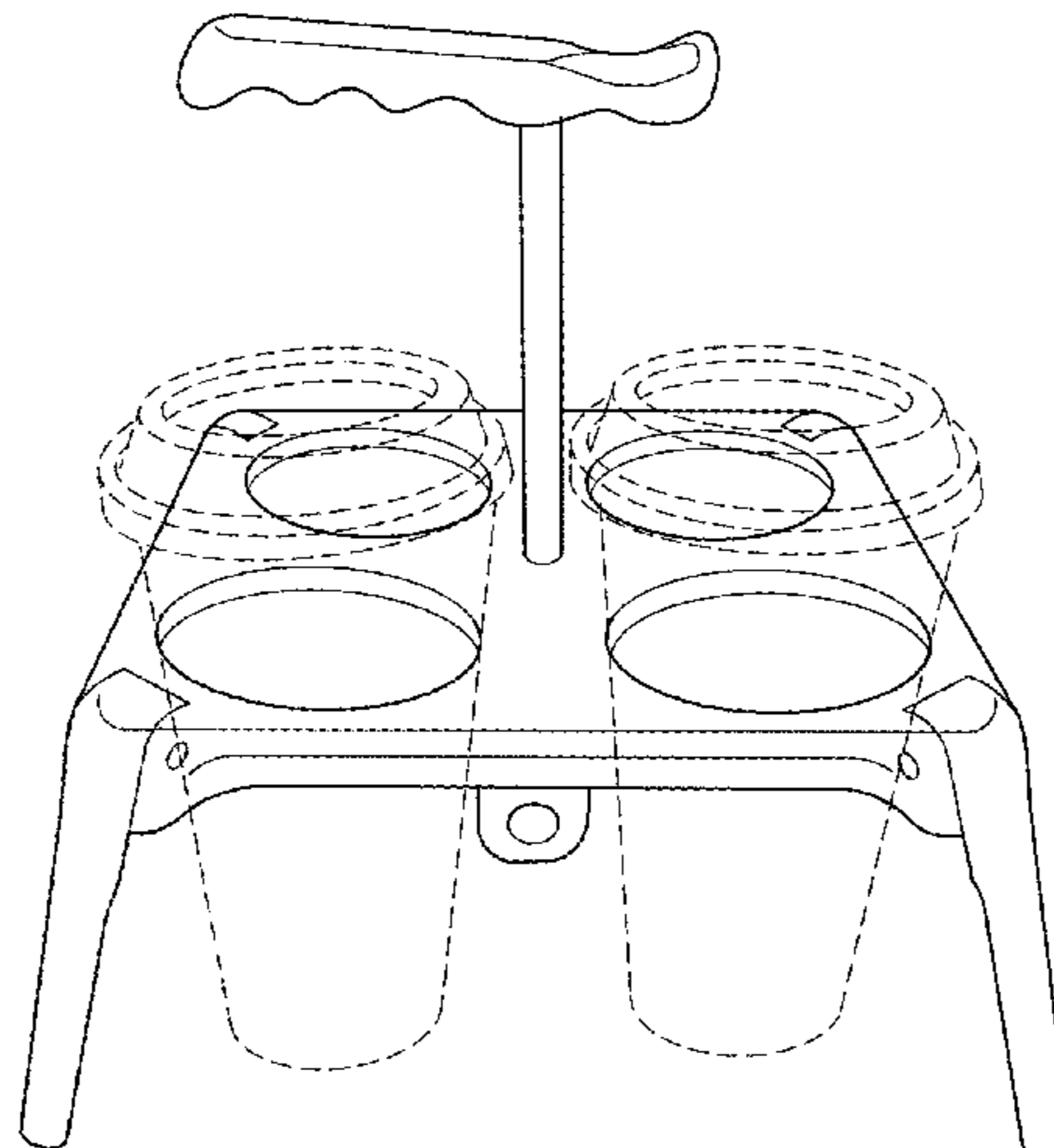
We claim the ornamental design for a beverage cup carrier, as shown and described.

**DESCRIPTION**

FIG. 1 is a top perspective view of the unfolded beverage cup carrier with the handle in position for carrying;  
FIG. 2 is a bottom view of the unfolded beverage cup carrier with the handle in the storage position;  
FIG. 3 is a top plan view of the folded beverage cup carrier with the handle in the storage position;  
FIG. 4 is a top plan view of the unfolded beverage cup carrier with the handle in the storage position;  
FIG. 5 is a bottom view of the folded beverage cup carrier with the handle in the storage position;  
FIG. 6 is a side elevation view of the unfolded beverage cup carrier with the handle in position for carrying;  
FIG. 7 is a side elevation view of the folded beverage cup carrier with the handle in the storage position; and,  
FIG. 8 is a side elevation view of the unfolded beverage cup carrier with the handle in position for carrying.

The broken lines in FIG. 1 of the drawings depict environment only and form no part of the claimed design.

**1 Claim, 4 Drawing Sheets**



(56)

**References Cited**

## U.S. PATENT DOCUMENTS

D280,773 S \* 9/1985 Addy, Jr. .... A47G 23/065  
D3/309  
D437,187 S \* 2/2001 Cheng ..... A47G 23/065  
D7/622  
D462,879 S \* 9/2002 Martens ..... D7/622  
D493,675 S \* 8/2004 Panico ..... D7/622  
D502,406 S \* 3/2005 Eddings ..... D7/706  
D742,111 S \* 11/2015 Diamond ..... D3/7  
D776,548 S \* 1/2017 Bell ..... D9/753  
D781,158 S \* 3/2017 Bosworth ..... A01K 5/0107  
D9/752  
D854,383 S \* 7/2019 Felkins, Sr. .... D7/622  
D867,831 S \* 11/2019 Bauer ..... A01K 5/0107  
D7/706  
D890,577 S \* 7/2020 Cotter ..... A47G 23/0616  
D7/637  
D918,527 S \* 5/2021 Garcia Cendejas ..... D1/106  
2010/0116704 A1 \* 5/2010 Longley ..... A47G 23/0616  
206/427  
2014/0014552 A1 \* 1/2014 Pokora ..... A47G 23/0208  
206/558  
2021/0022316 A1 \* 1/2021 Gabaldon ..... A01K 5/0107

\* cited by examiner

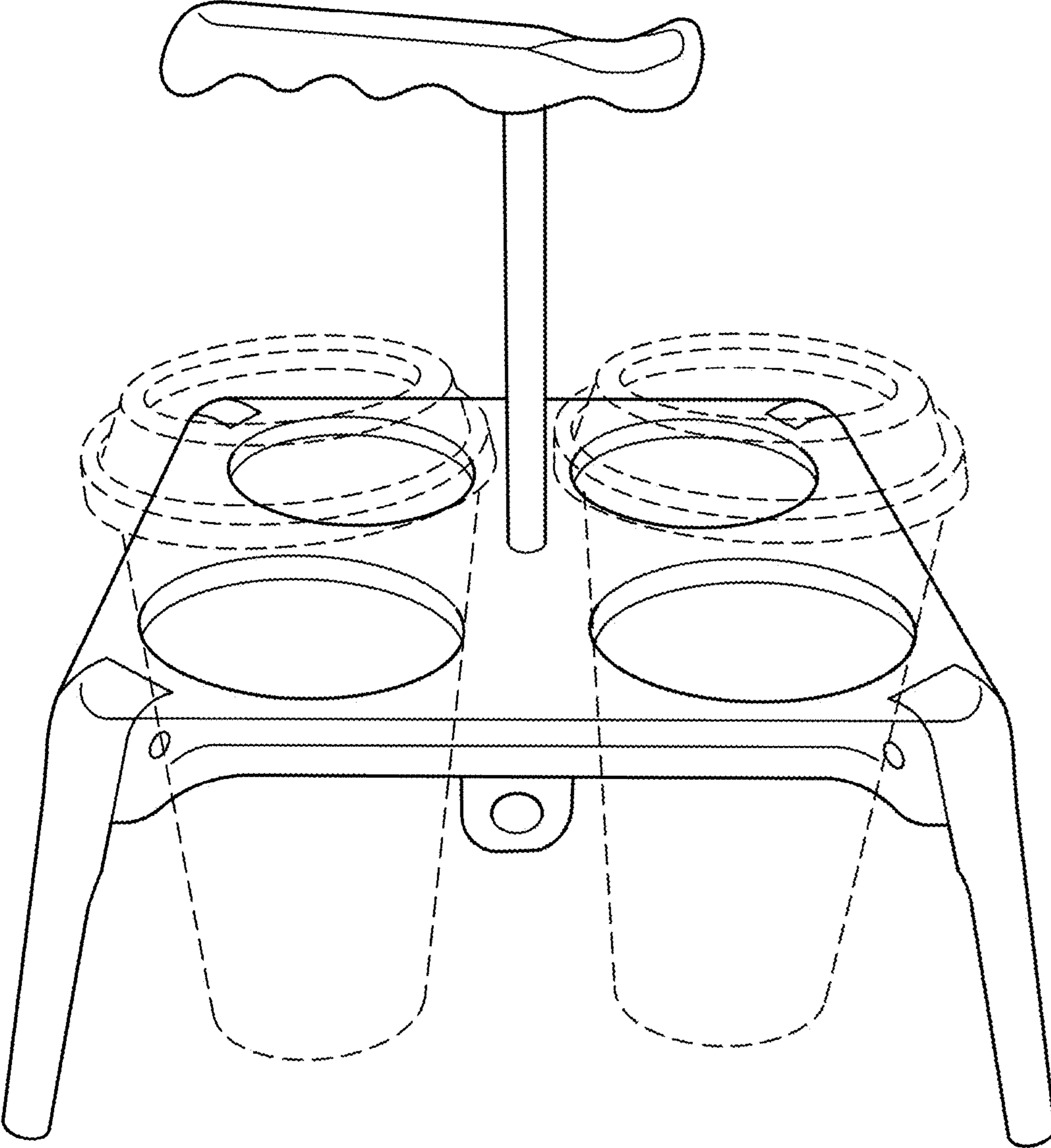


FIG. 1

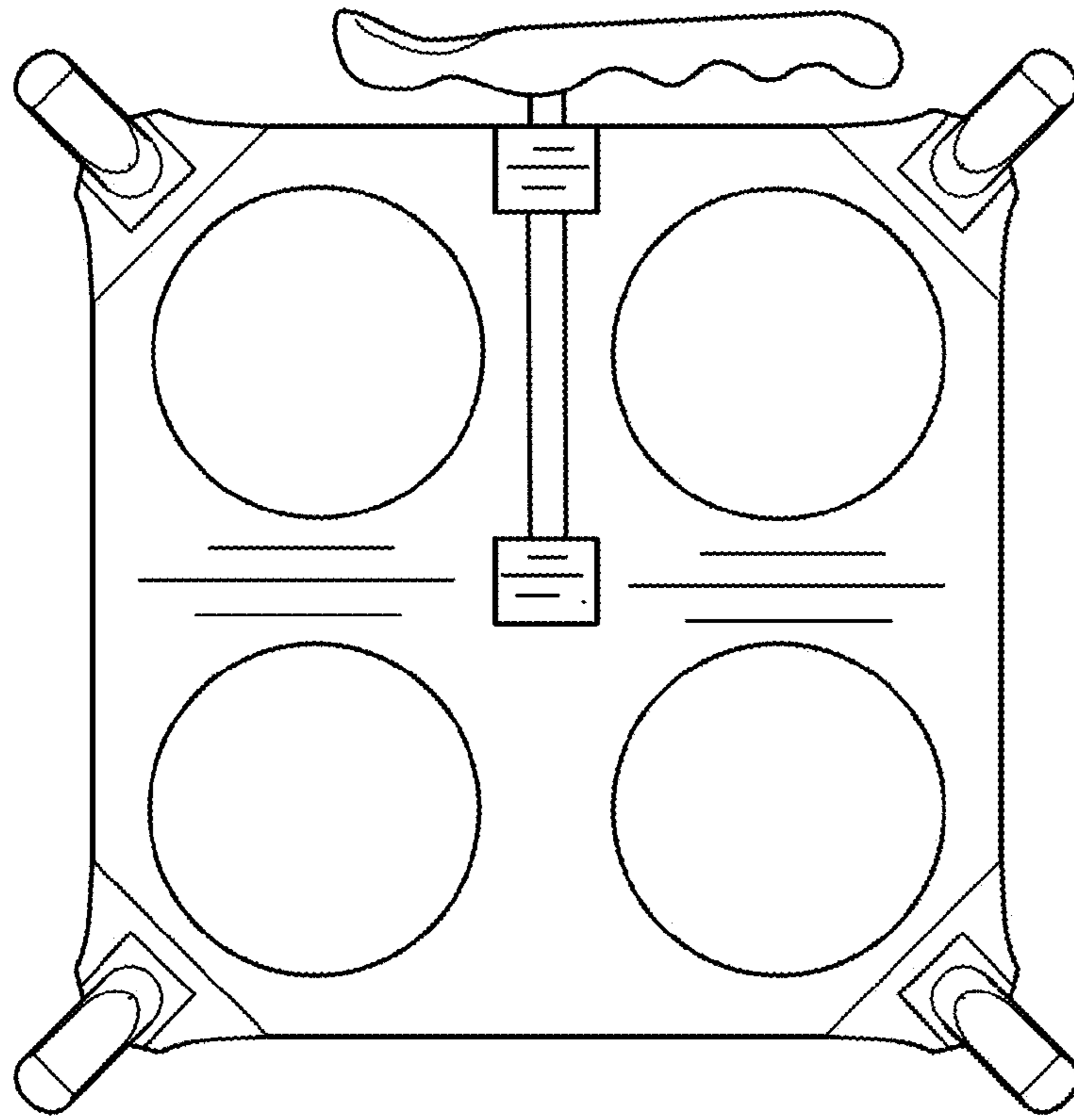


FIG. 2

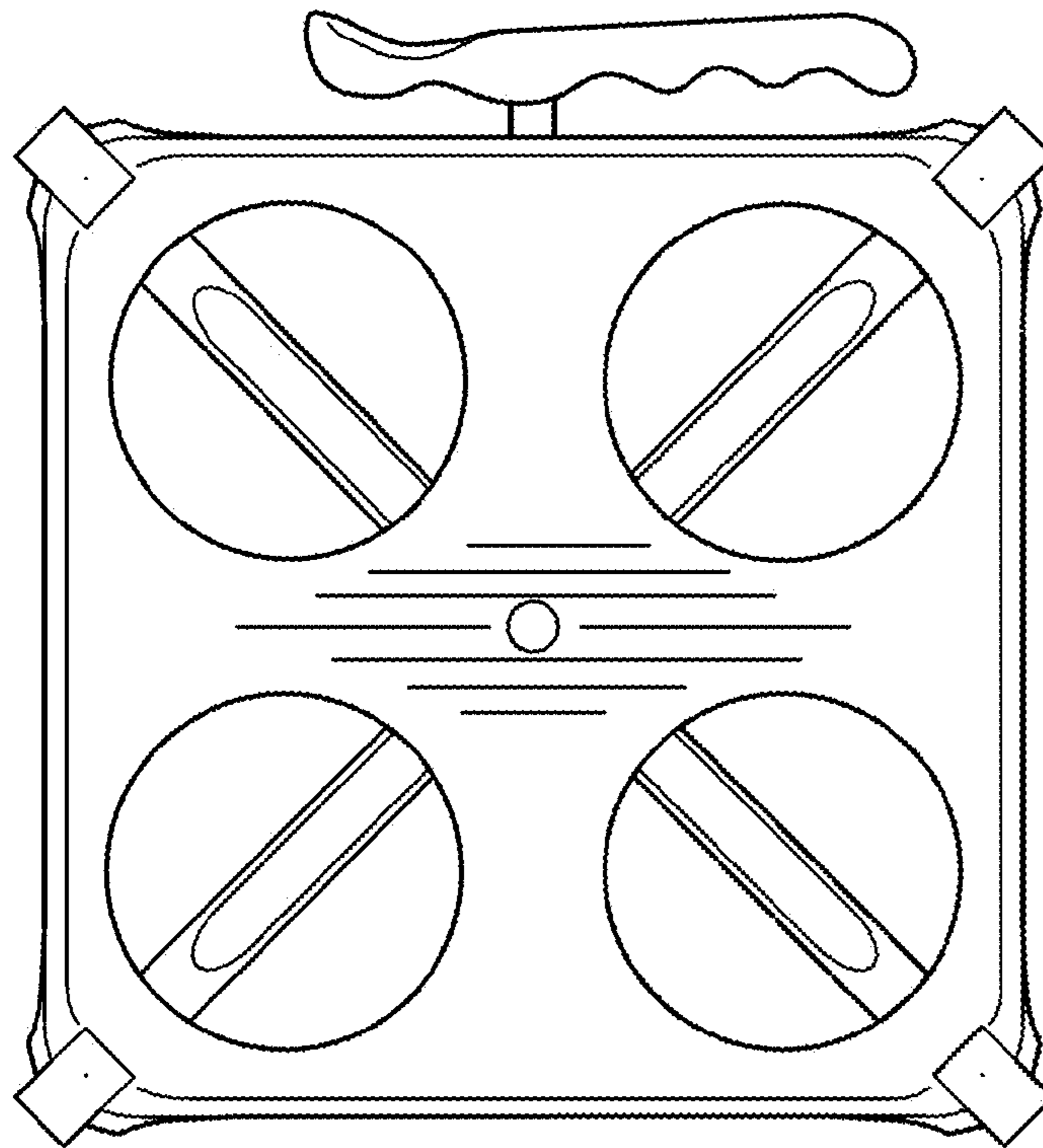


FIG. 3

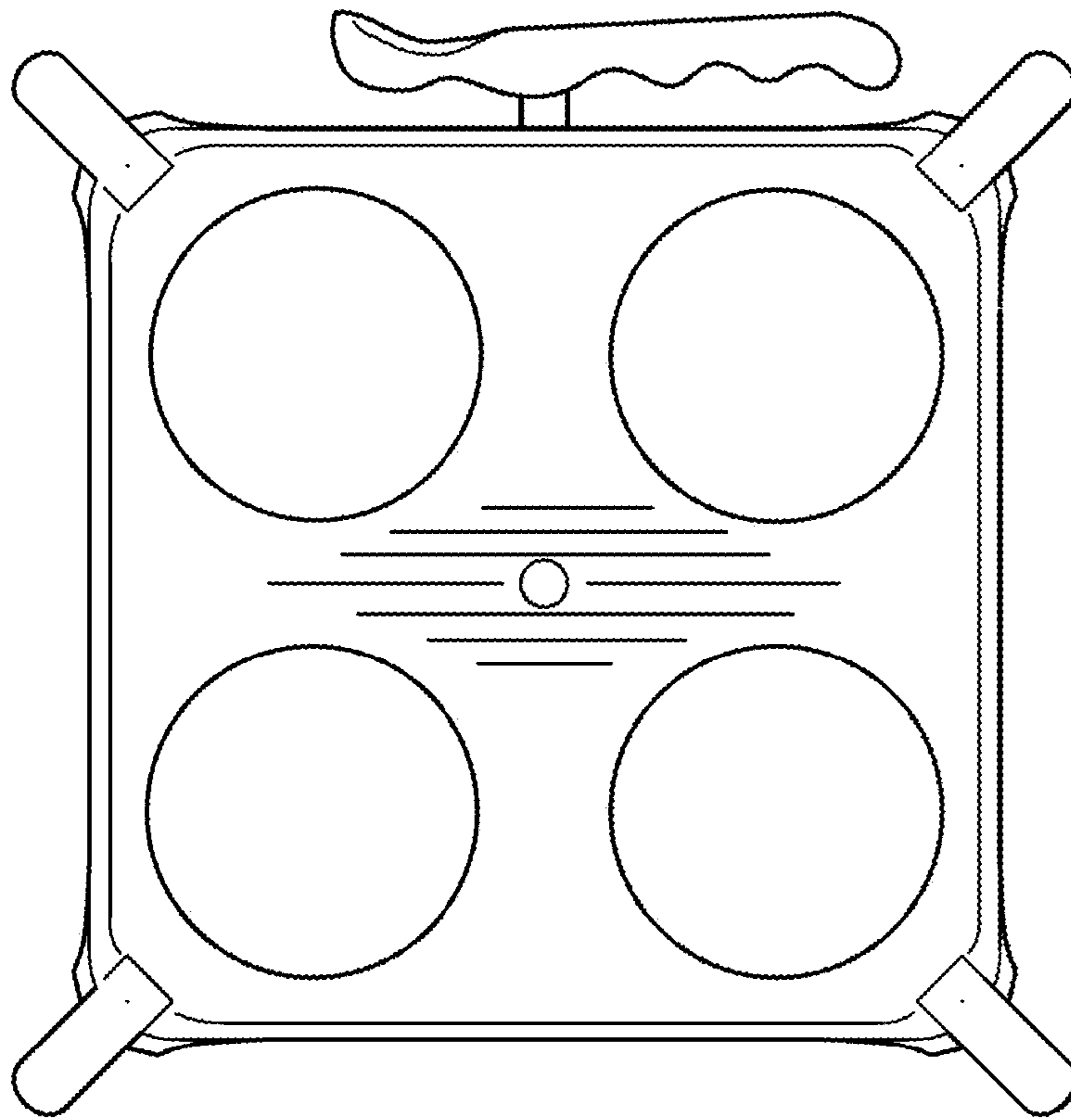


FIG. 4

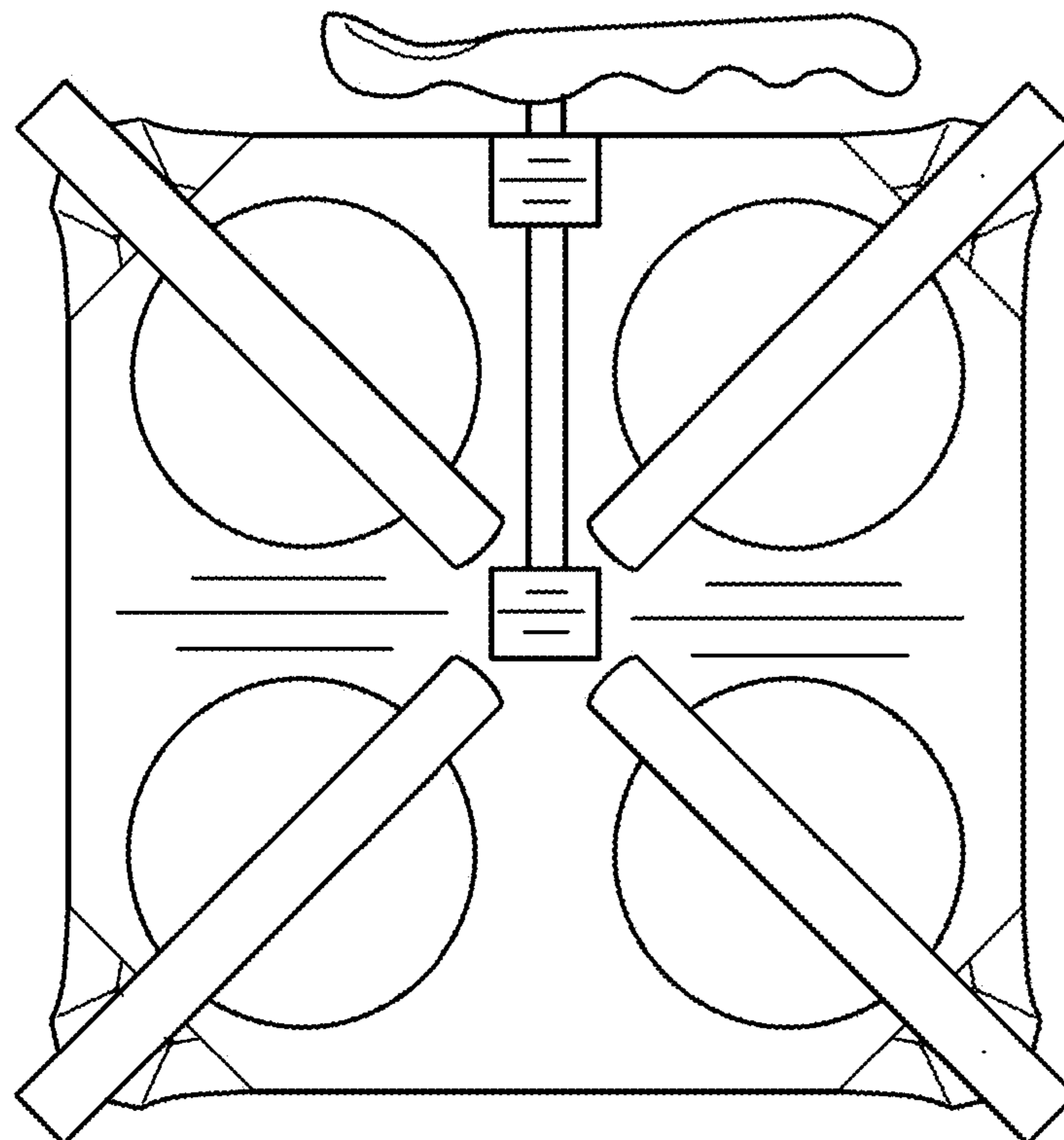


FIG. 5

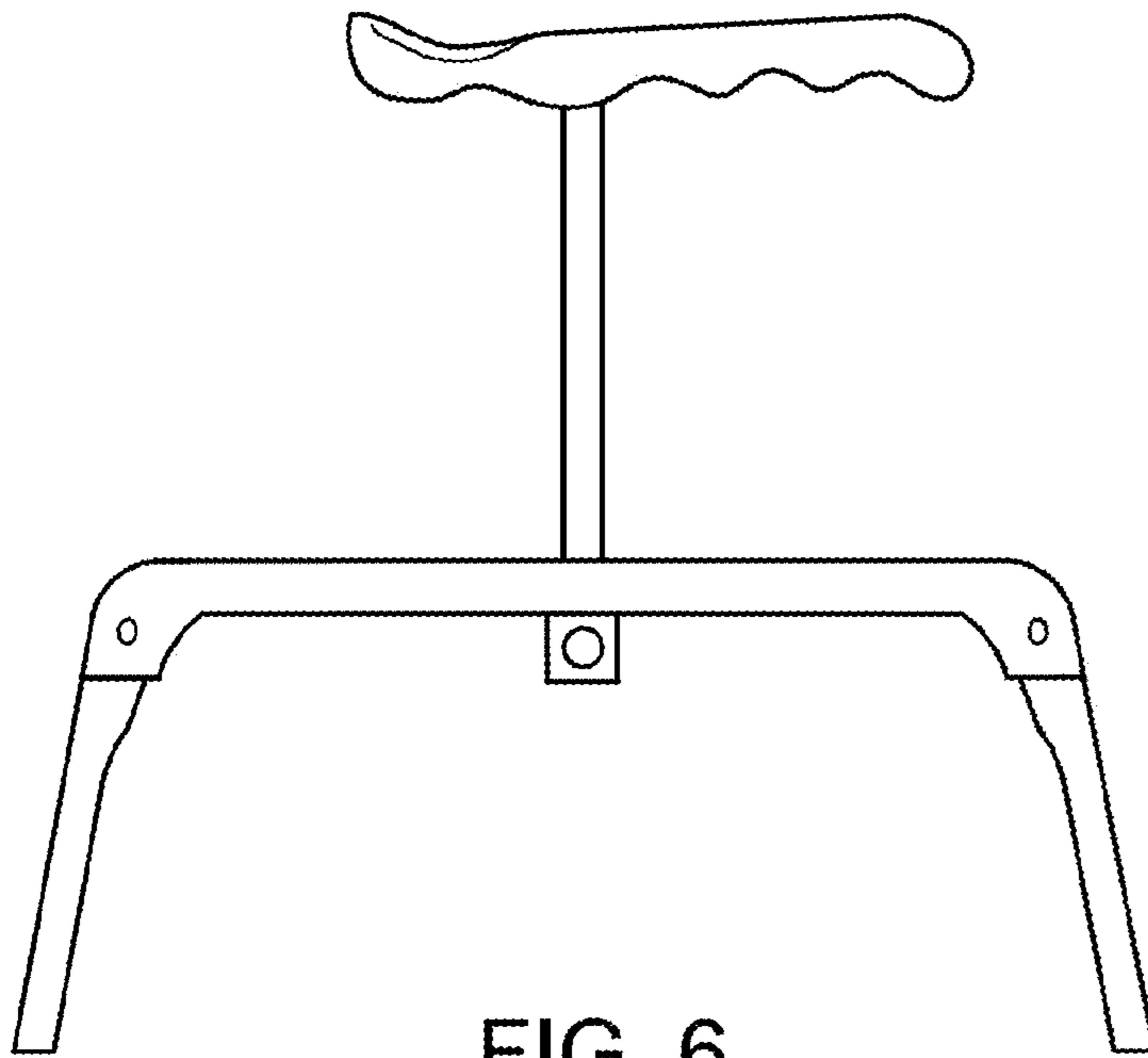


FIG. 6

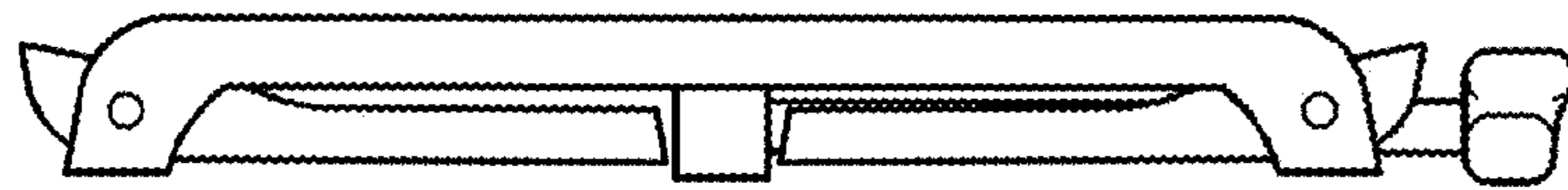


FIG. 7

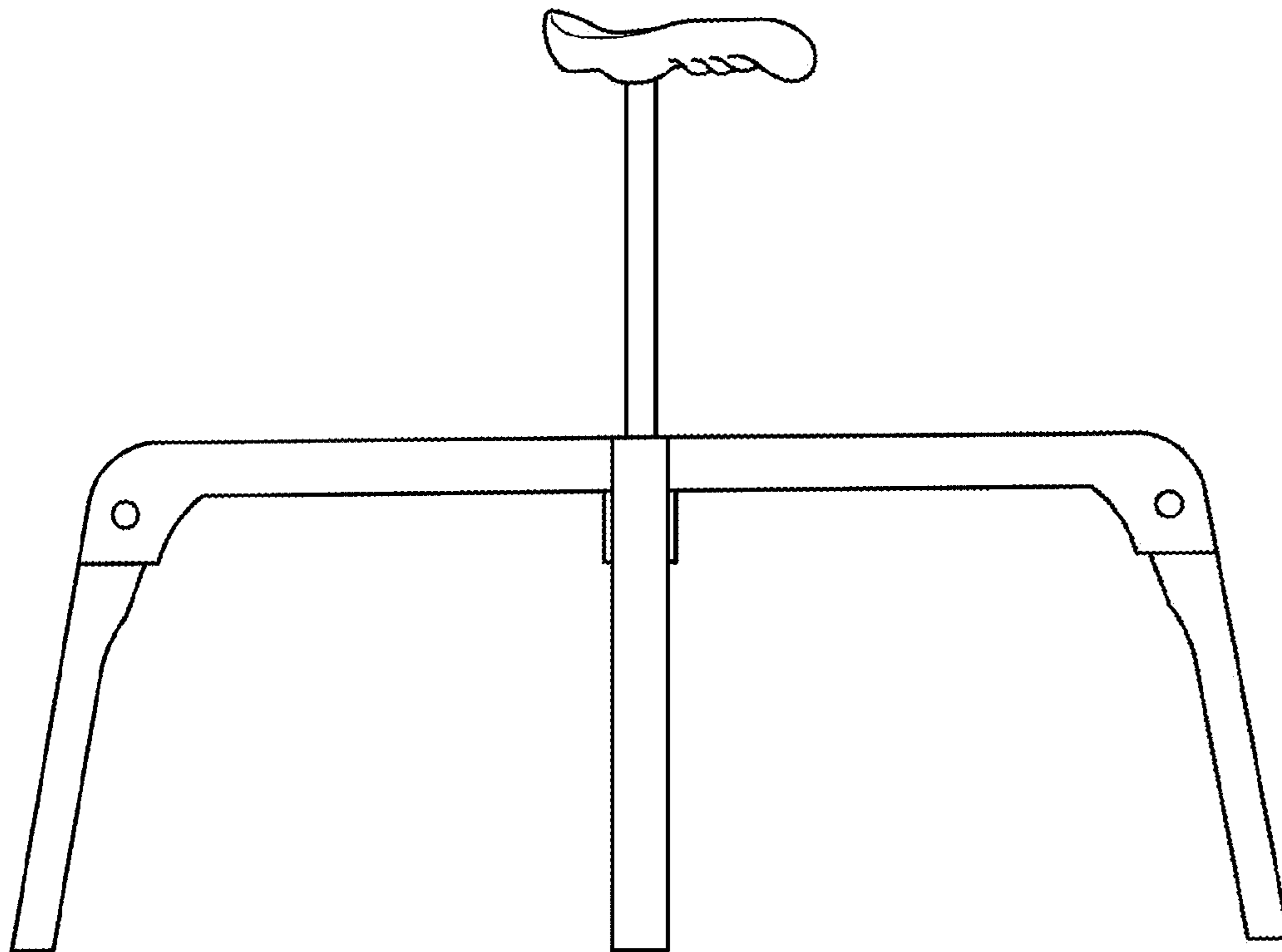


FIG. 8