



US00D923435S

(12) **United States Design Patent**
Fiocchi

(10) **Patent No.:** **US D923,435 S**

(45) **Date of Patent:** **** *Jun. 29, 2021**

(54) **OYSTER OPENER**

(71) Applicant: **Jim Anthony Fiocchi**, Highland Park,
IL (US)

(72) Inventor: **Jim Anthony Fiocchi**, Highland Park,
IL (US)

(*) Notice: This patent is subject to a terminal disclaimer.

(**) Term: **15 Years**

(21) Appl. No.: **29/654,683**

(22) Filed: **Jul. 24, 2018**

(51) **LOC (13) Cl.** **07-06**

(52) **U.S. Cl.**
USPC **D7/693**

(58) **Field of Classification Search**
USPC D7/510, 511, 669, 368, 672-677
CPC B26D 1/553; B26D 1/5535; B26D 3/26;
B65D 53/02; A47G 21/063
See application file for complete search history.

(56) **References Cited**

U.S. PATENT DOCUMENTS

299,756	A *	6/1884	Drake	A47G 21/063 452/185
1,071,352	A *	8/1913	Schmidt	A47G 21/062 452/16
2,144,557	A *	1/1939	Youngberg	B26D 1/547 83/607
2,595,696	A *	5/1952	Paul	B26D 1/25 83/427
D309,408	S *	7/1990	Bell	D7/693
D348,591	S *	7/1994	Willis	D7/673
D404,978	S *	2/1999	Youngblood, Jr.	D7/693
D548,025	S *	8/2007	Kaposi	D7/672
D761,629	S *	7/2016	Suarez	D7/693

D856,837	S *	8/2019	Illson	D10/106.2
D858,218	S *	9/2019	Kaposi	D7/674
10,588,324	B1 *	3/2020	Fiocchi	A47G 21/063
D893,269	S *	8/2020	Booth	D7/698
2020/0237128	A1 *	7/2020	Fiocchi	A47G 21/065

OTHER PUBLICATIONS

Amazon website, EX-OYSTER opener tool, Date first on Amazon May 17, 2018, [site visited Oct. 22, 2020], Available on the Internet URL <https://www.amazon.com/Easy-Oyster-Opener-Shucking-Tool/dp/B07D4RGLF1> (Year: 2018).*

(Continued)

Primary Examiner — Karen S Acker

Assistant Examiner — Steven B Reinholdt, Jr.

(74) *Attorney, Agent, or Firm* — Scherrer Patent & Trademark Law, P C.; Stephen T. Scherrer; Monique A. Morneault

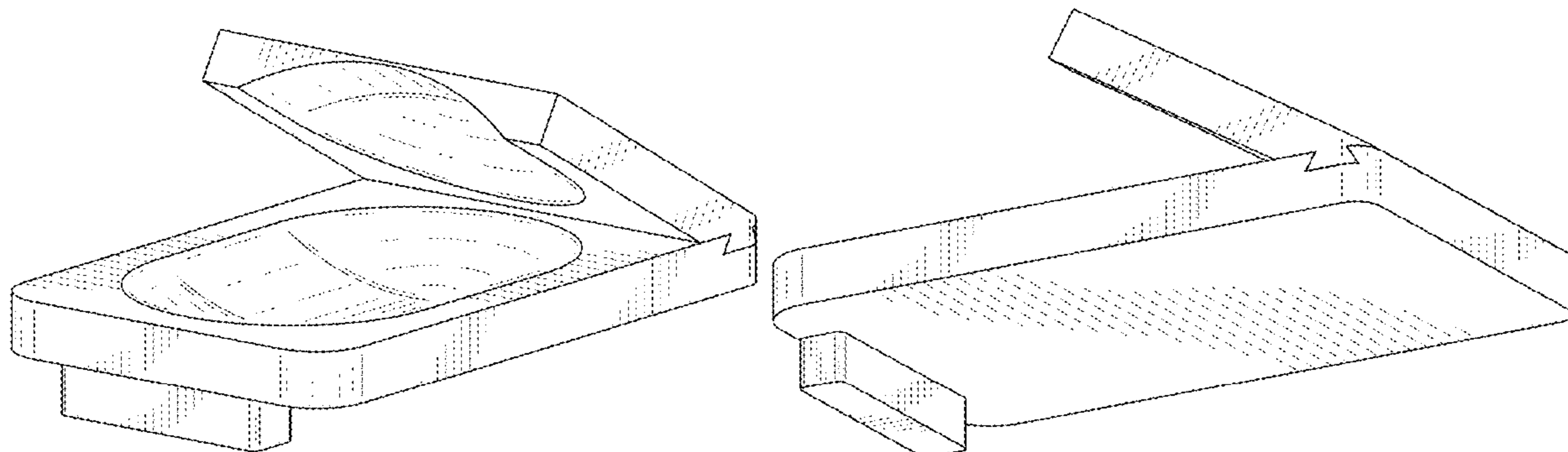
(57) **CLAIM**

The ornamental design for an oyster opener, as shown and described.

DESCRIPTION

FIG. 1 is a top plan view of the oyster opener showing my new design;
FIG. 2 is an isometric top side view thereof;
FIG. 3 is an isometric top side view thereof;
FIG. 4 is an isometric bottom side view thereof;
FIG. 5 is a top plan view of the oyster opener of FIG. 1 shown disassembled with the top piece removed;
FIG. 6 is an isometric top side view thereof;
FIG. 7 is an elevation view thereof;
FIG. 8 is an isometric bottom side view thereof;
FIG. 9 is a plan view of the oyster opener of FIG. 1 shown disassembled with the bottom piece removed;
FIG. 10 is an elevation view thereof; and,
FIG. 11 is an isometric bottom side view thereof.

1 Claim, 5 Drawing Sheets



(56)

References Cited

OTHER PUBLICATIONS

EZ-OYSTER website, Fixed Angle Oyster Shucker, Publication date unknown, [site visited Oct. 22, 2020], Available on the Internet URL <https://ez-oyster.com/product/fixed-angle-oyster-shucker/> (Year: 2020).*

YouTube—EZ Oyster Products, Mar. 7, 2020, [site visited Oct. 22, 2020], Available on the Internet URL <https://www.youtube.com/watch?v=qN1weUUJTOg> (Year: 2020).*

* cited by examiner

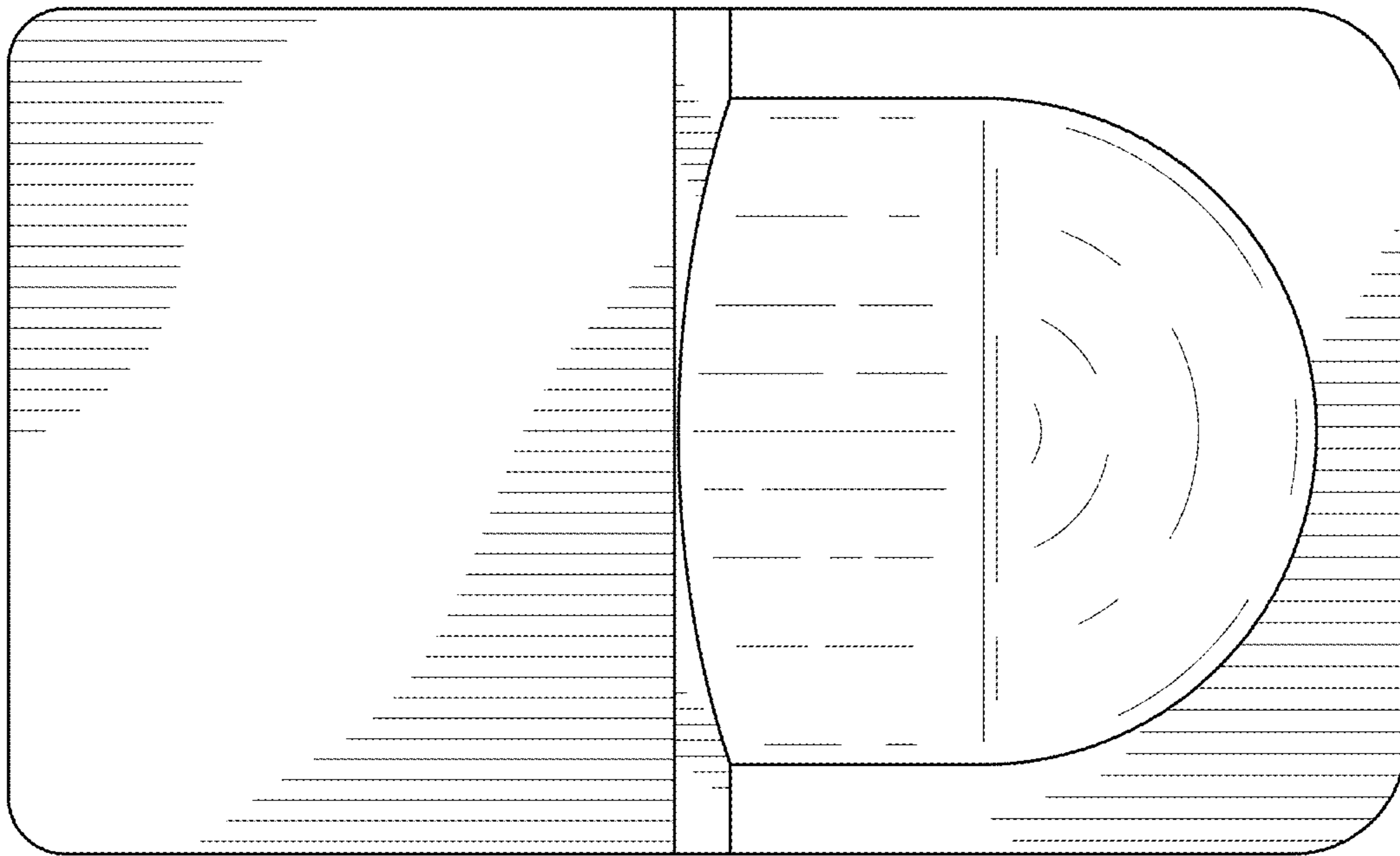


FIG. 1

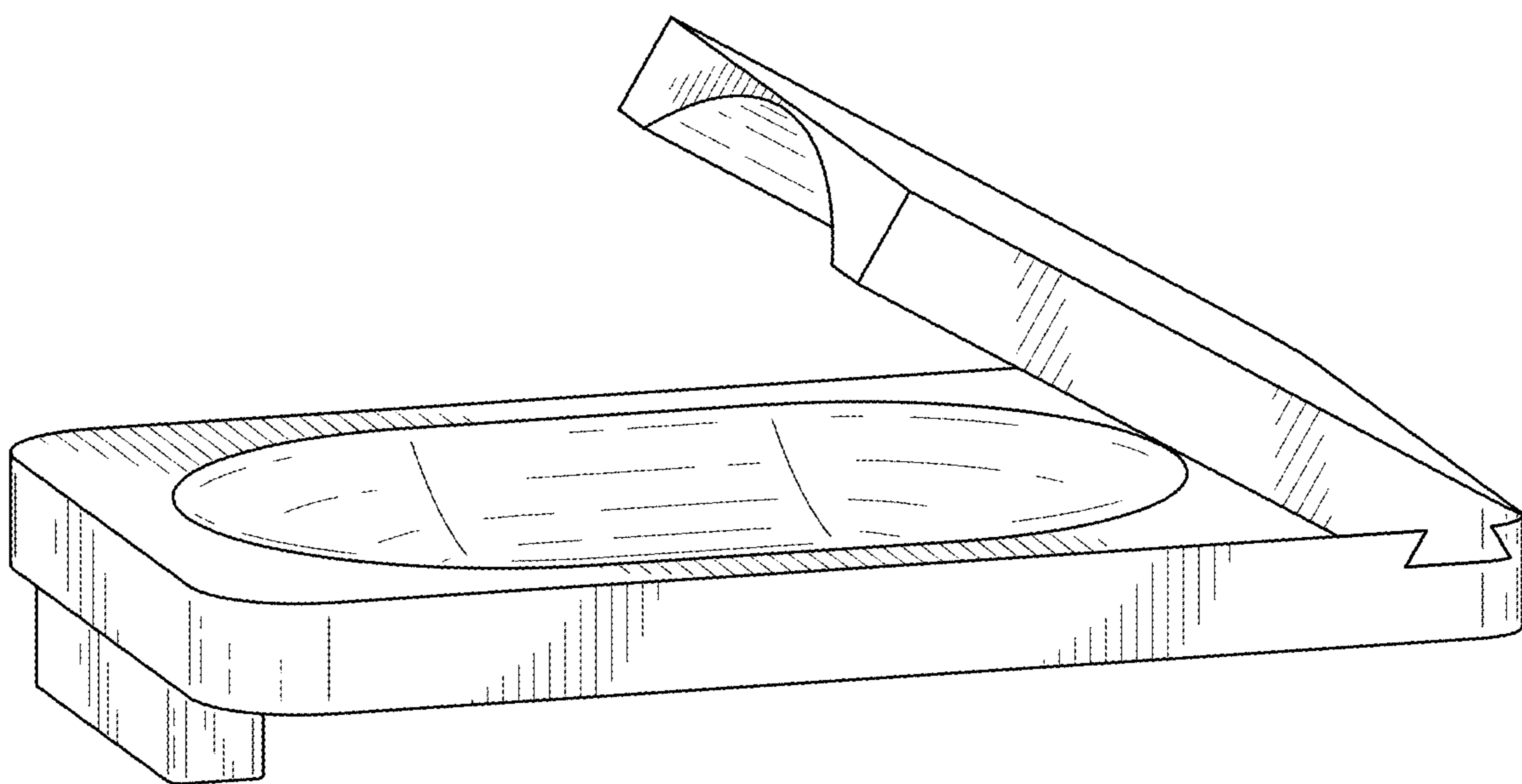


FIG. 2

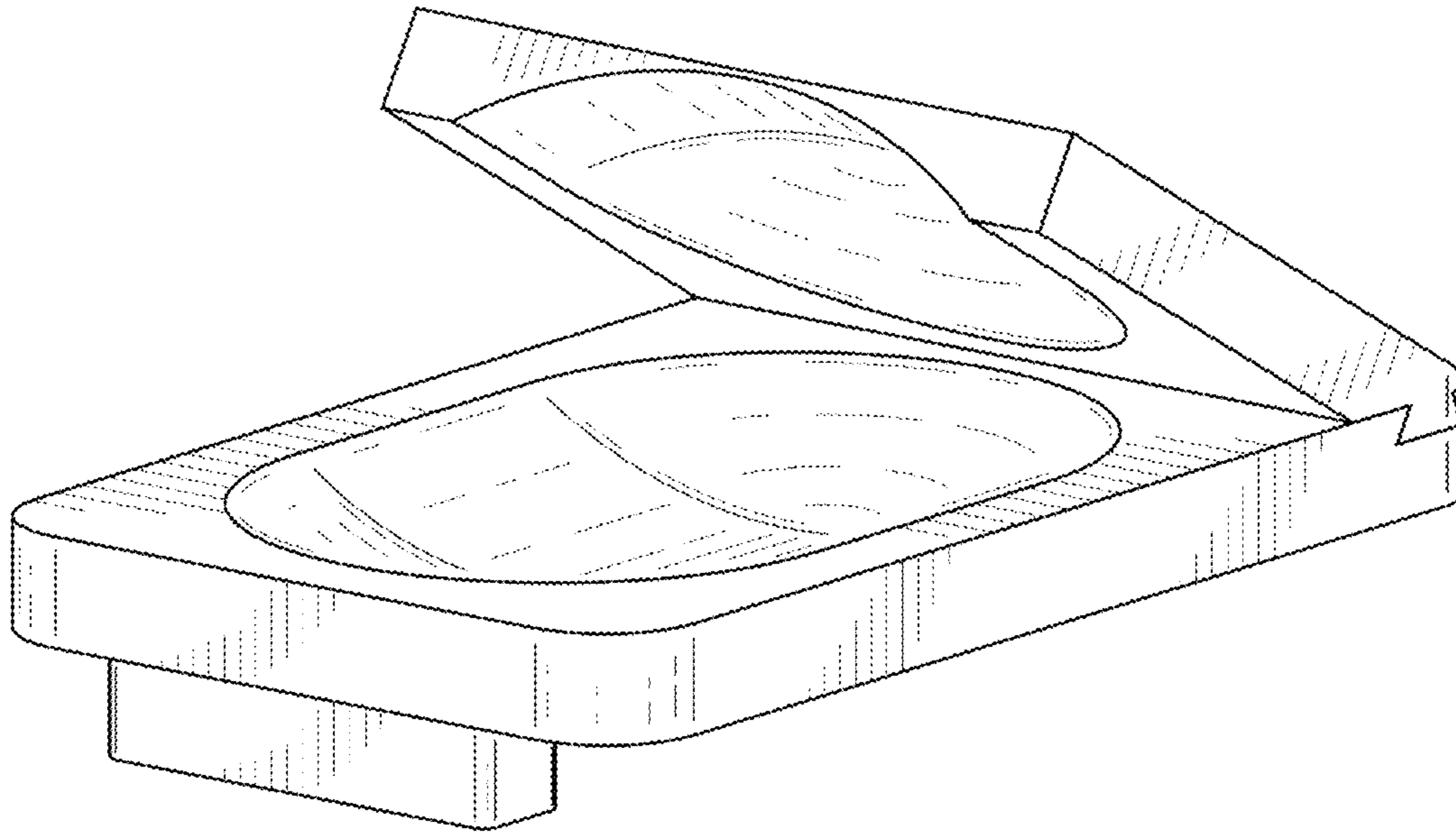


FIG. 3

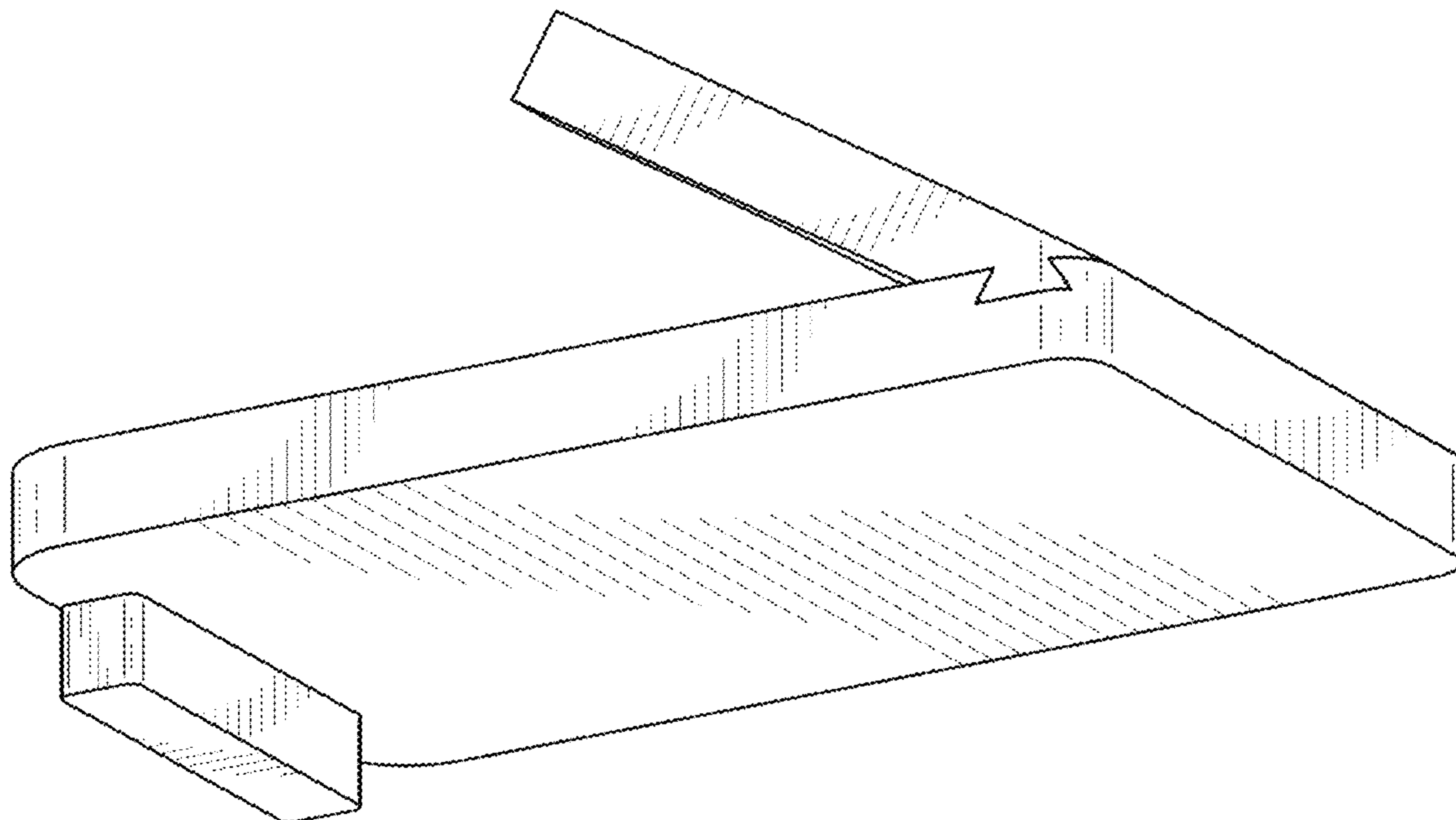


FIG. 4

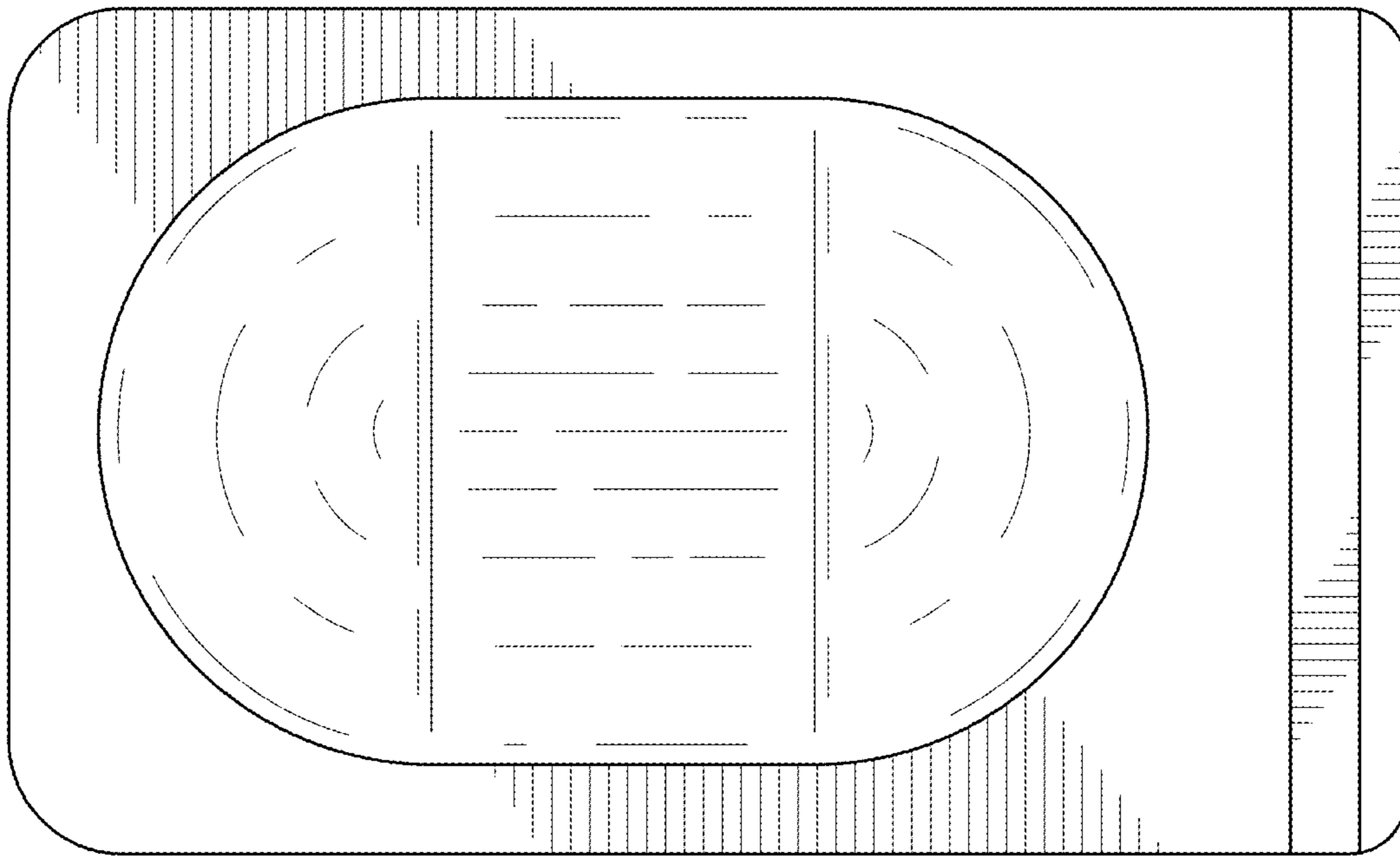


FIG. 5

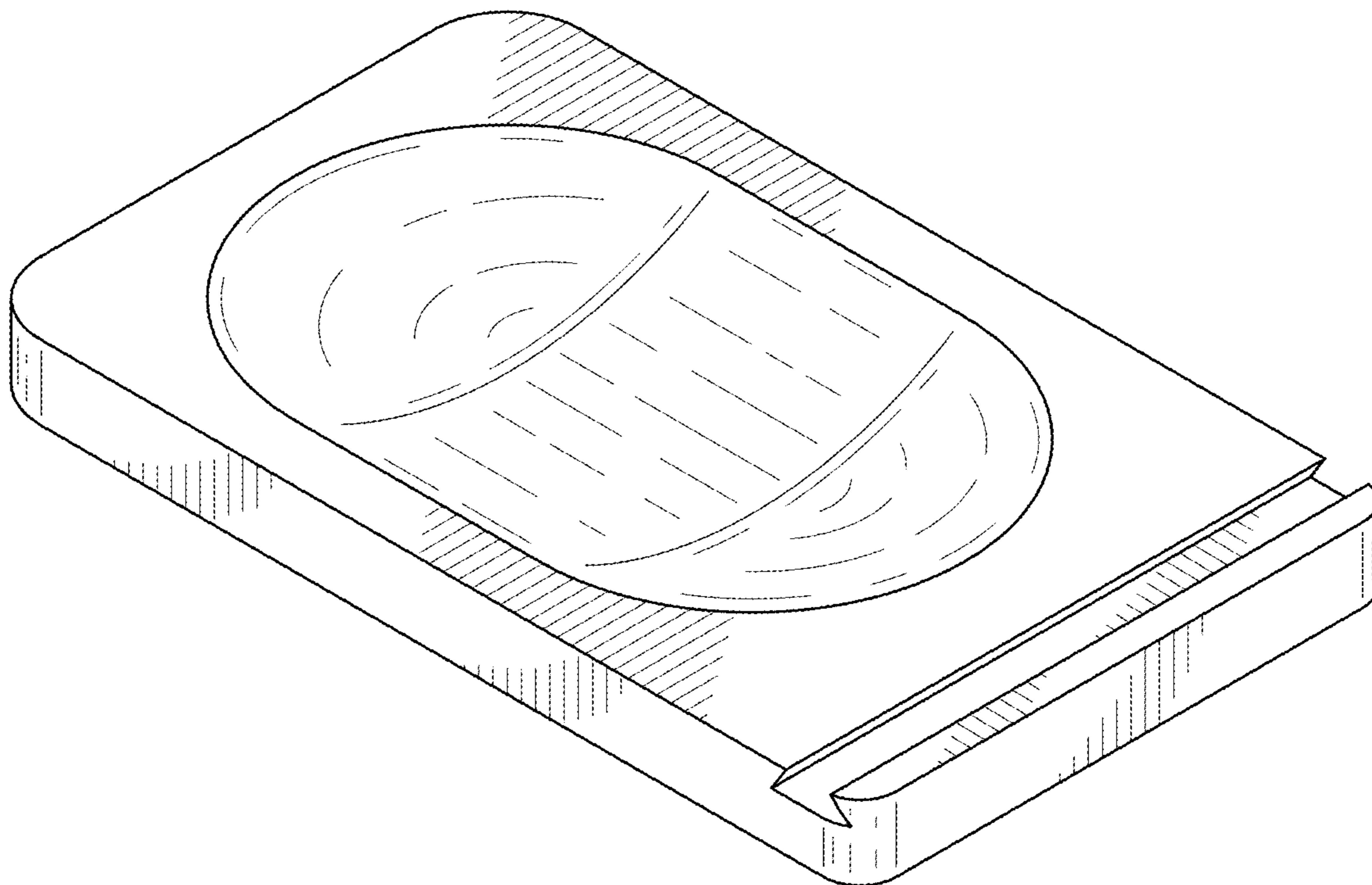


FIG. 6

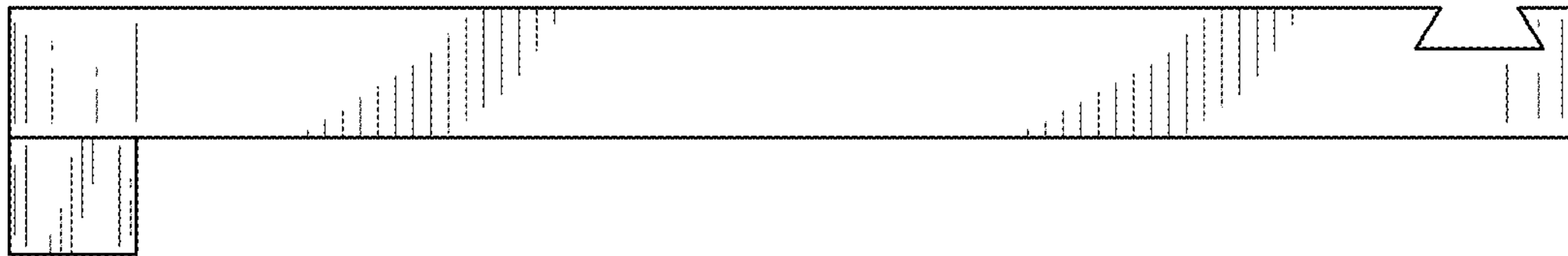


FIG. 7

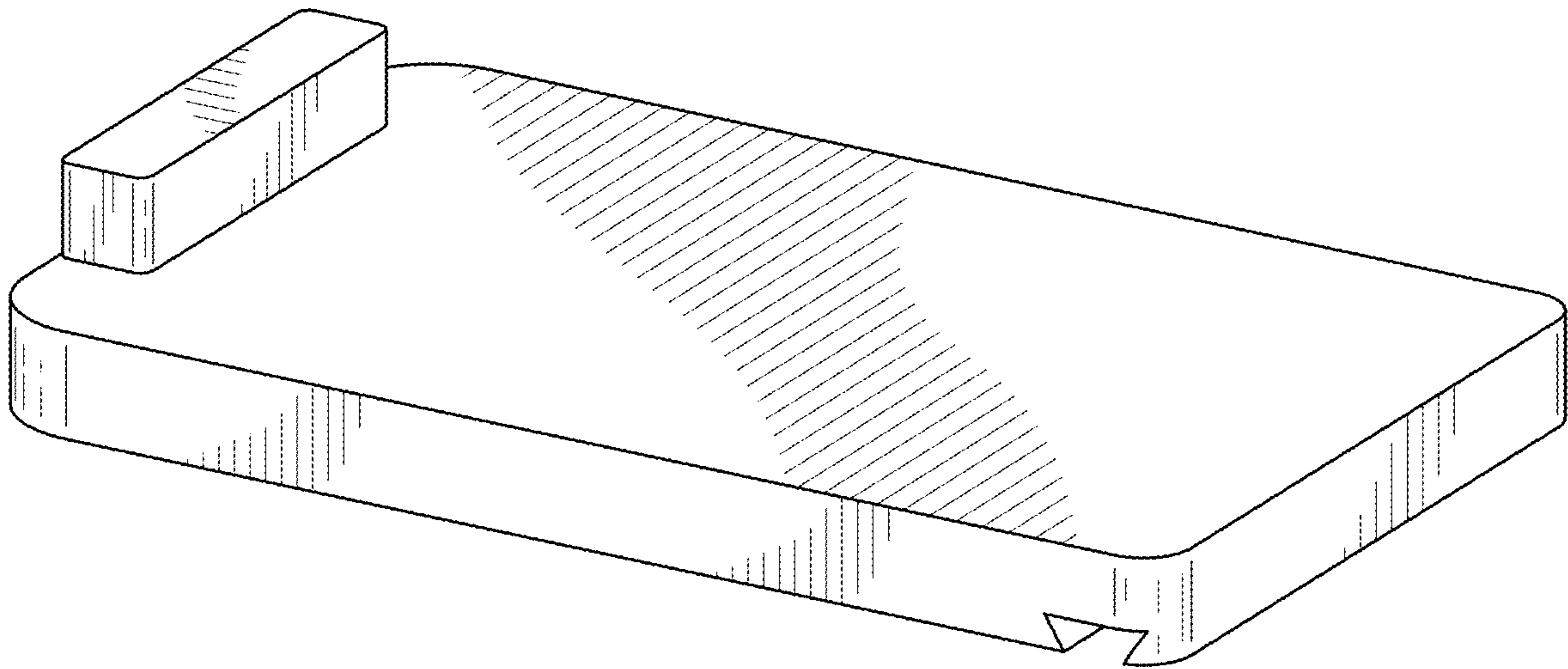


FIG. 8

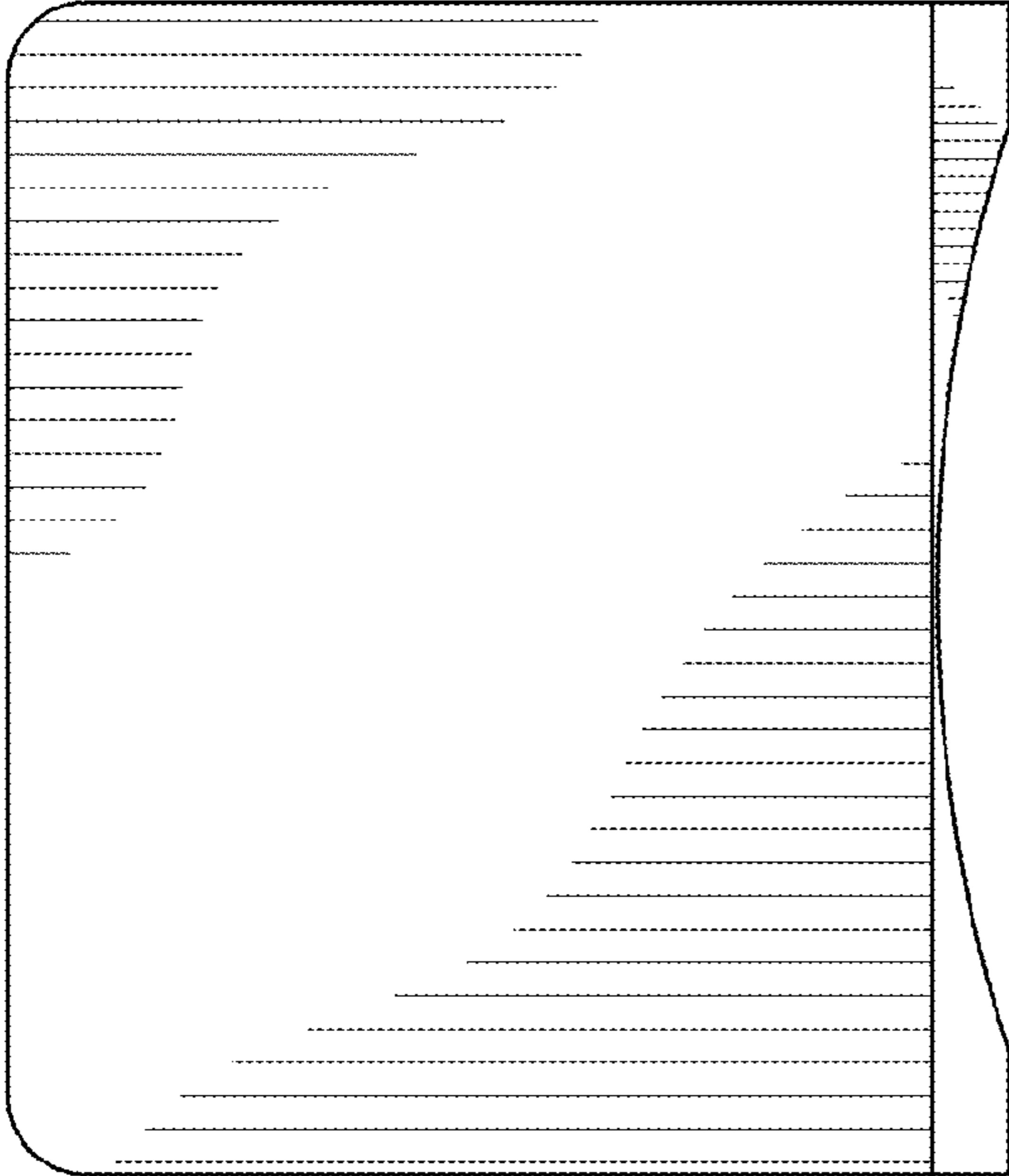


FIG. 9

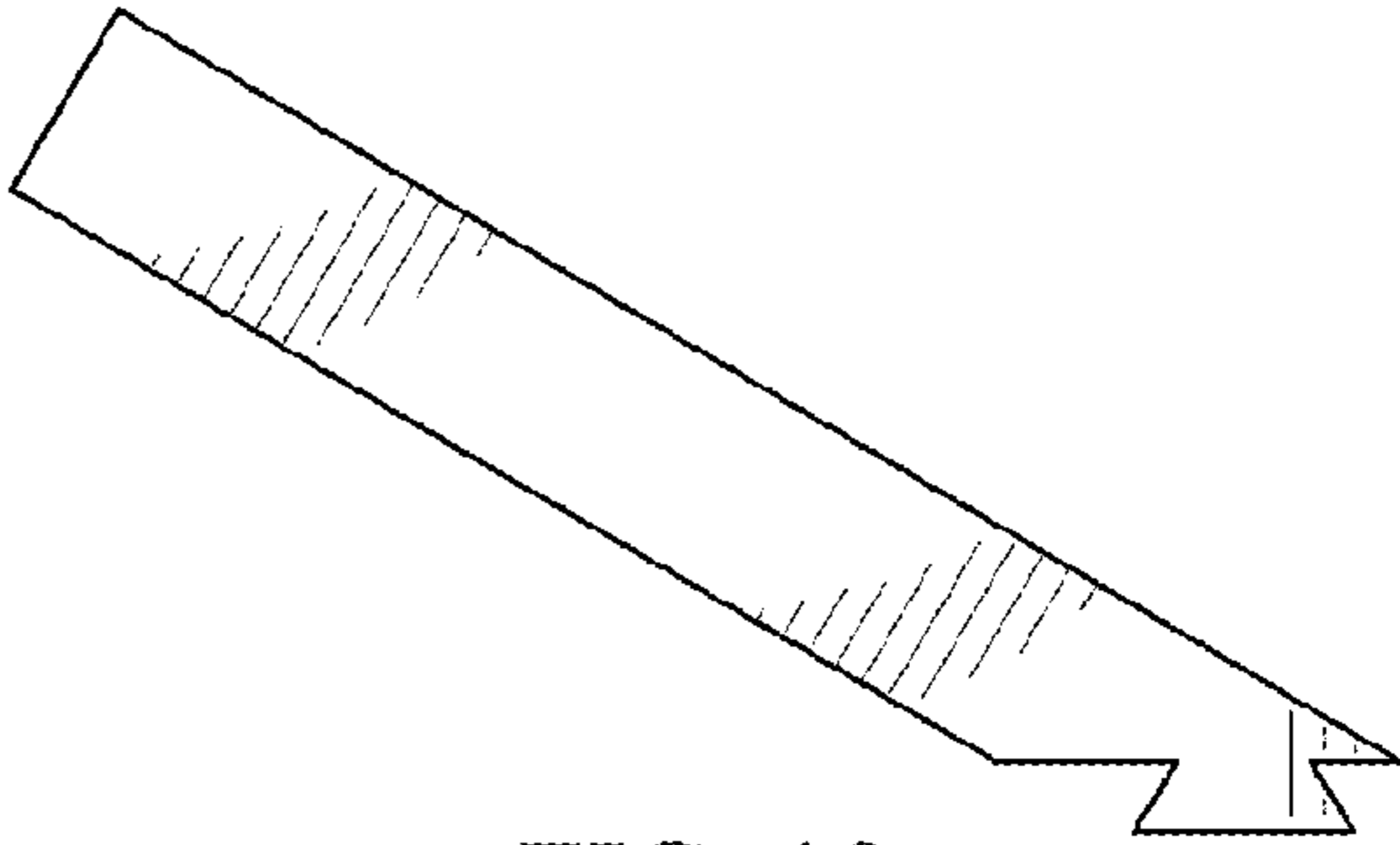


FIG. 10

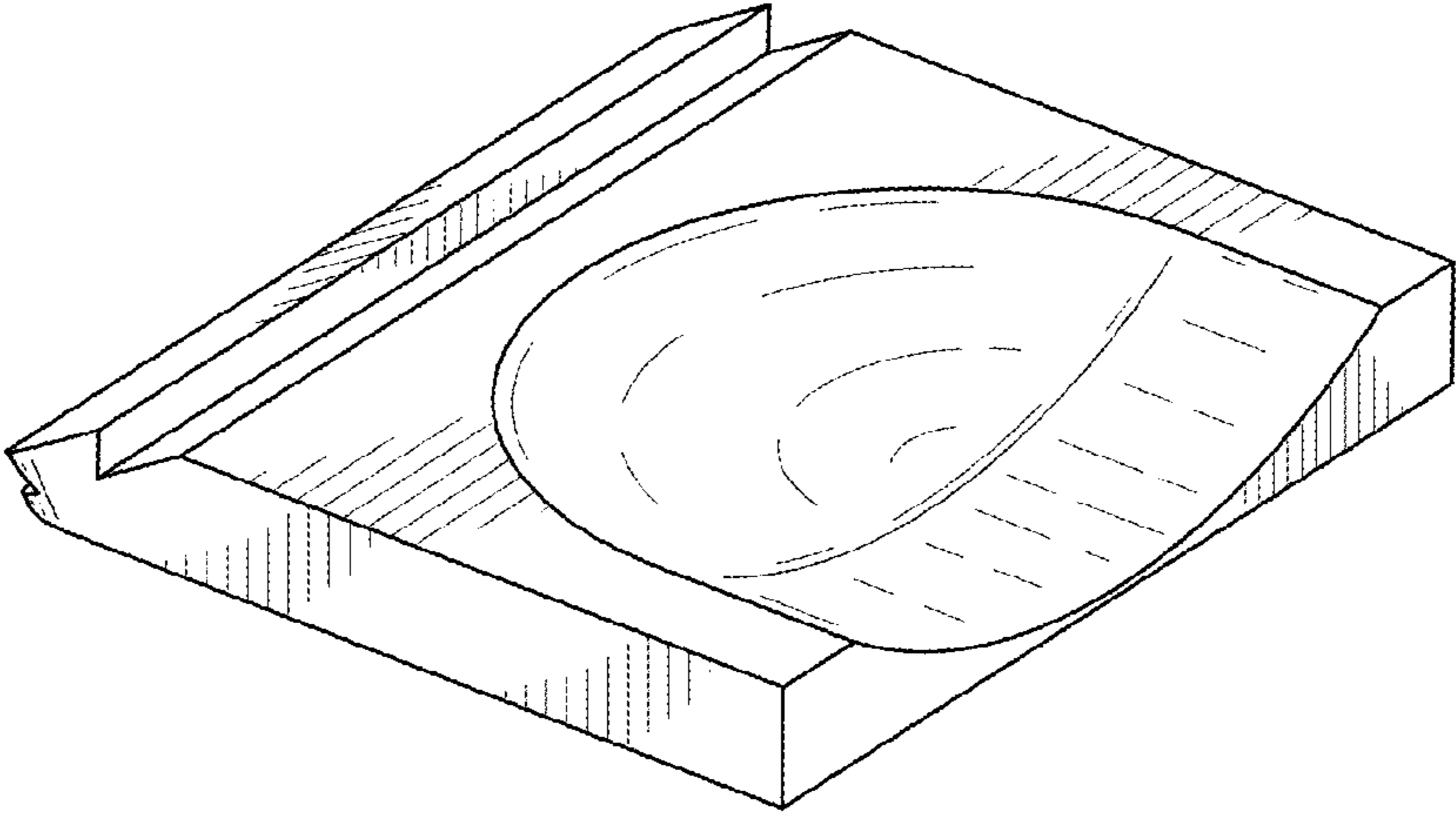


FIG. 11