



US00D923434S

(12) **United States Design Patent**
Yang

(10) **Patent No.:** **US D923,434 S**

(45) **Date of Patent:** **** Jun. 29, 2021**

(54) **GRIDDLE SPATULA**

(71) Applicant: **Shenzhen A Li Sen Trading Co., Ltd.**,
Shenzhen (CN)

(72) Inventor: **Jun Yang**, Shenzhen (CN)

(**) Term: **15 Years**

(21) Appl. No.: **29/764,624**

(22) Filed: **Dec. 31, 2020**

(51) **LOC (13) Cl.** **07-02**

(52) **U.S. Cl.**
USPC **D7/692; D7/688**

(58) **Field of Classification Search**
USPC D7/368, 669, 680-696
CPC A21B 3/003; A47G 21/045; A47J 43/288;
A47J 43/283; A47J 43/281; A47J 43/28;
A47J 43/00; A47F 13/08
See application file for complete search history.

D685,607 S 1/2013 Serrano
D677,129 S 3/2013 Genatossio et al.
D677,532 S 3/2013 Joseph
D699,525 S 2/2014 Wasserman
D708,025 S 7/2014 Cloutier et al.
D711,200 S 8/2014 Hoyord et al.
D787,281 S * 5/2017 Bennett D7/692
D856,096 S 8/2019 Lovell
2001/0045753 A1* 11/2001 Lewis A47J 43/288
294/3

* cited by examiner

Primary Examiner — Terry A Wallace

(74) *Attorney, Agent, or Firm* — Rumi Ranjit Kanakia

(57) **CLAIM**

The ornamental design for a griddle spatula, as shown and described.

(56) **References Cited**

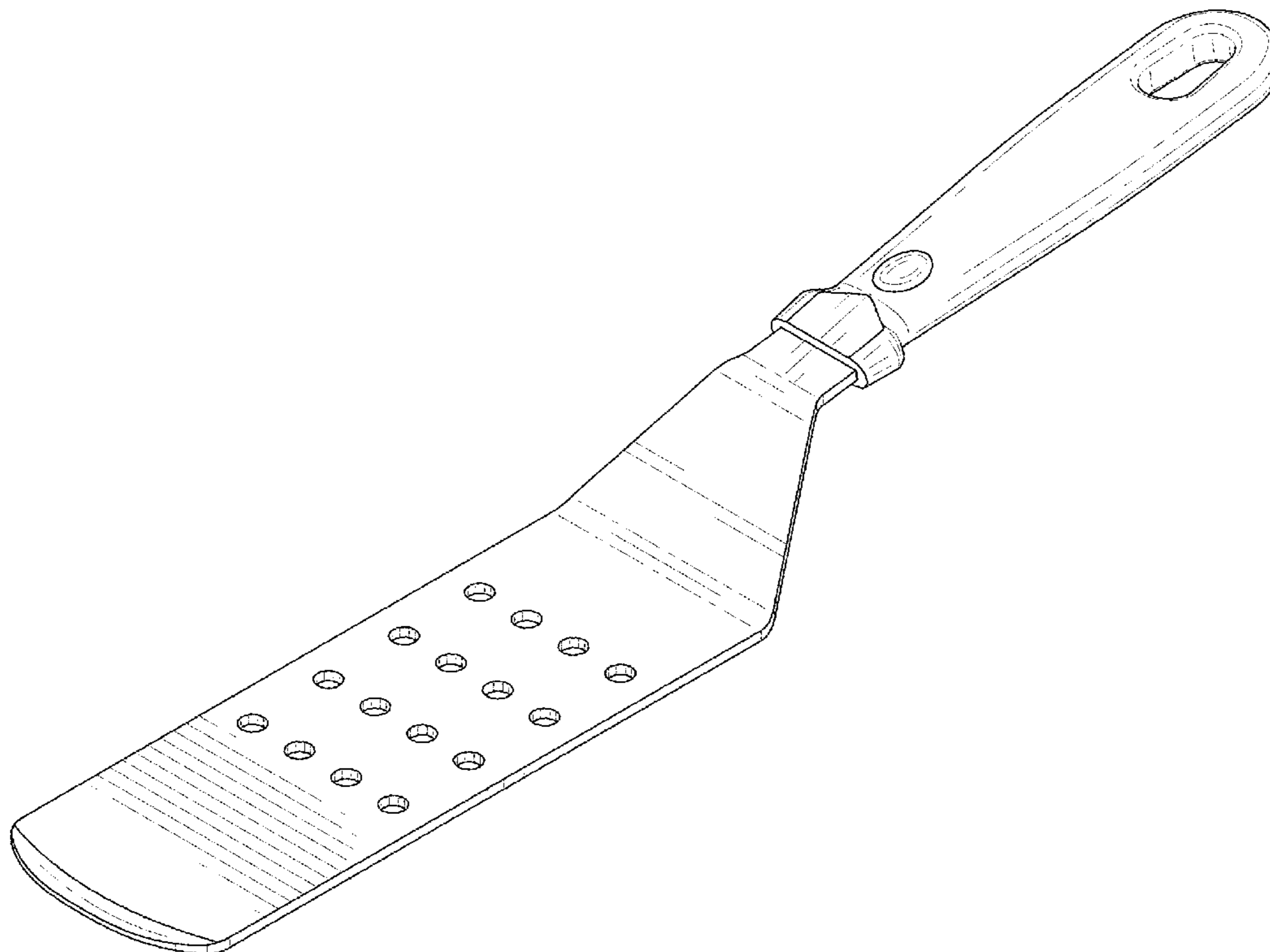
U.S. PATENT DOCUMENTS

2,252,873 A * 8/1941 Vassos A47J 47/16
294/7
3,566,424 A * 3/1971 Burbig A47J 43/288
7/113
D293,064 S * 12/1987 Ferm 294/7
5,737,803 A * 4/1998 Tisdale A47J 43/288
16/430
D576,000 S 9/2008 Allen et al.
D633,760 S 3/2011 Rayburn et al.
D673,820 S 1/2013 Batchelder

DESCRIPTION

FIG. 1 is a front view of a griddle spatula showing my new design;
FIG. 2 is a rear view thereof;
FIG. 3 is a left-hand-side view thereof;
FIG. 4 is a right-hand-side view thereof;
FIG. 5 is a top view thereof;
FIG. 6 is a bottom view thereof; and,
FIG. 7 is a perspective thereof.

1 Claim, 6 Drawing Sheets



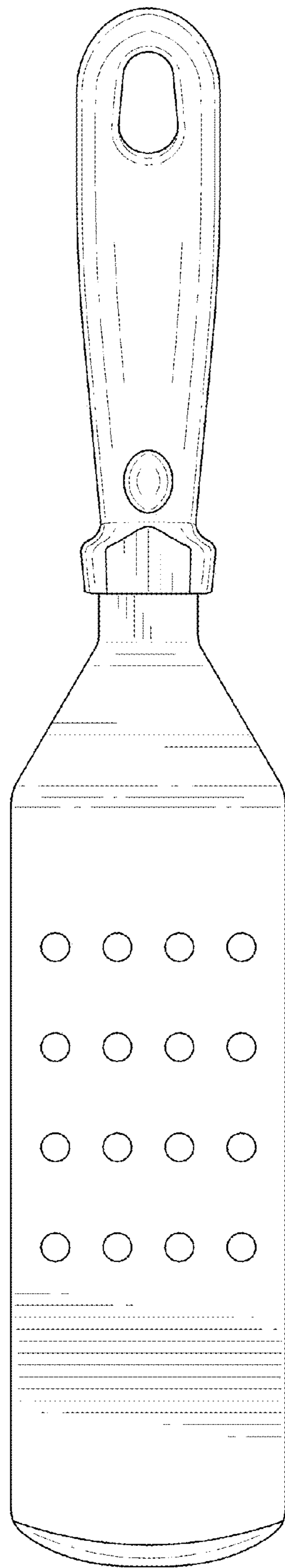


Fig. 1

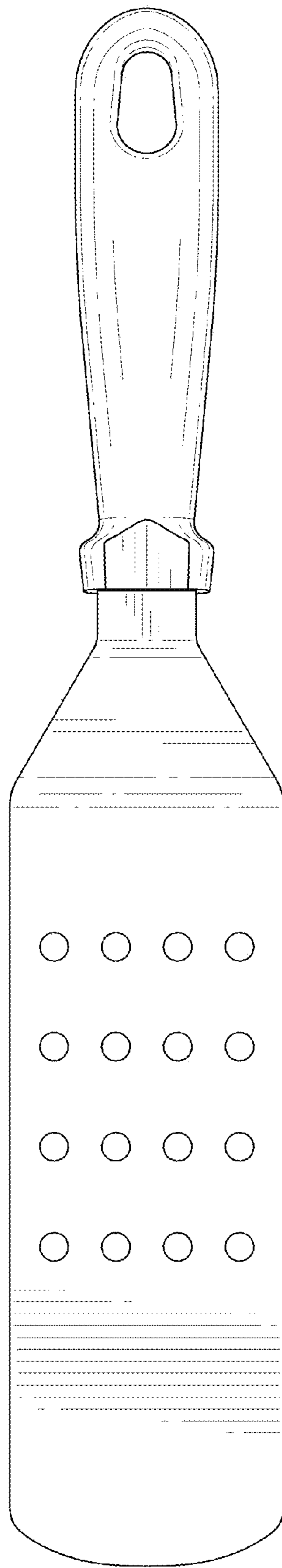


Fig. 2

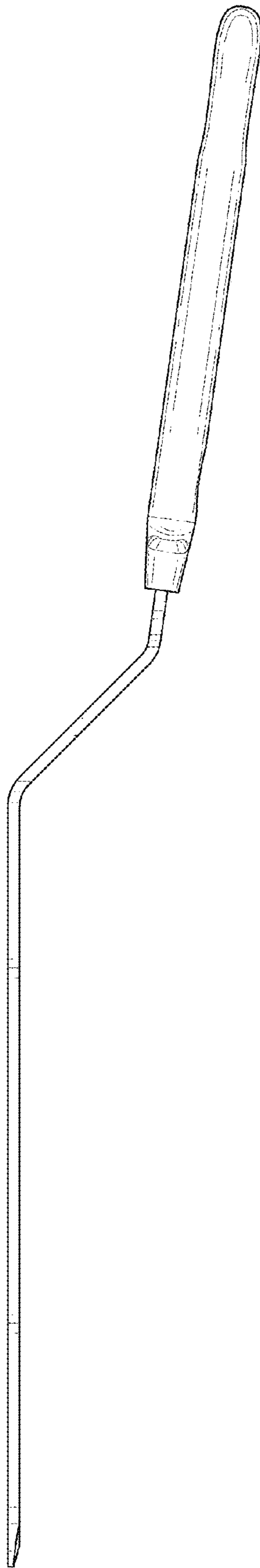


Fig. 3

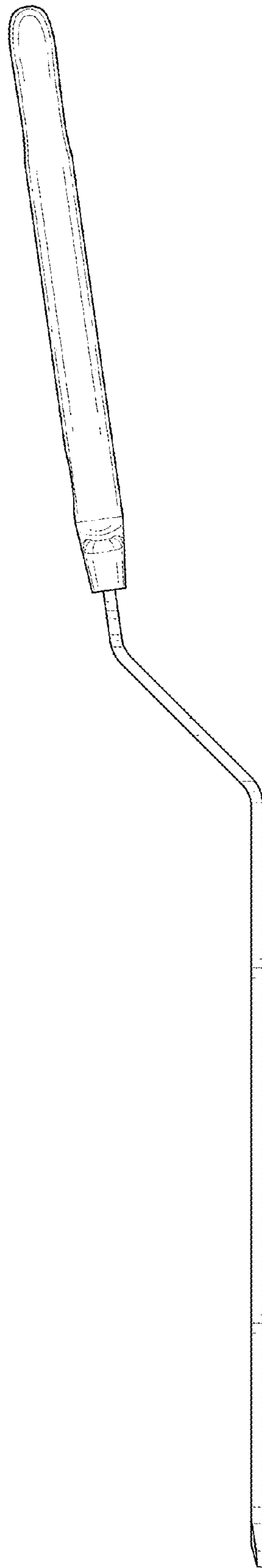


Fig.4

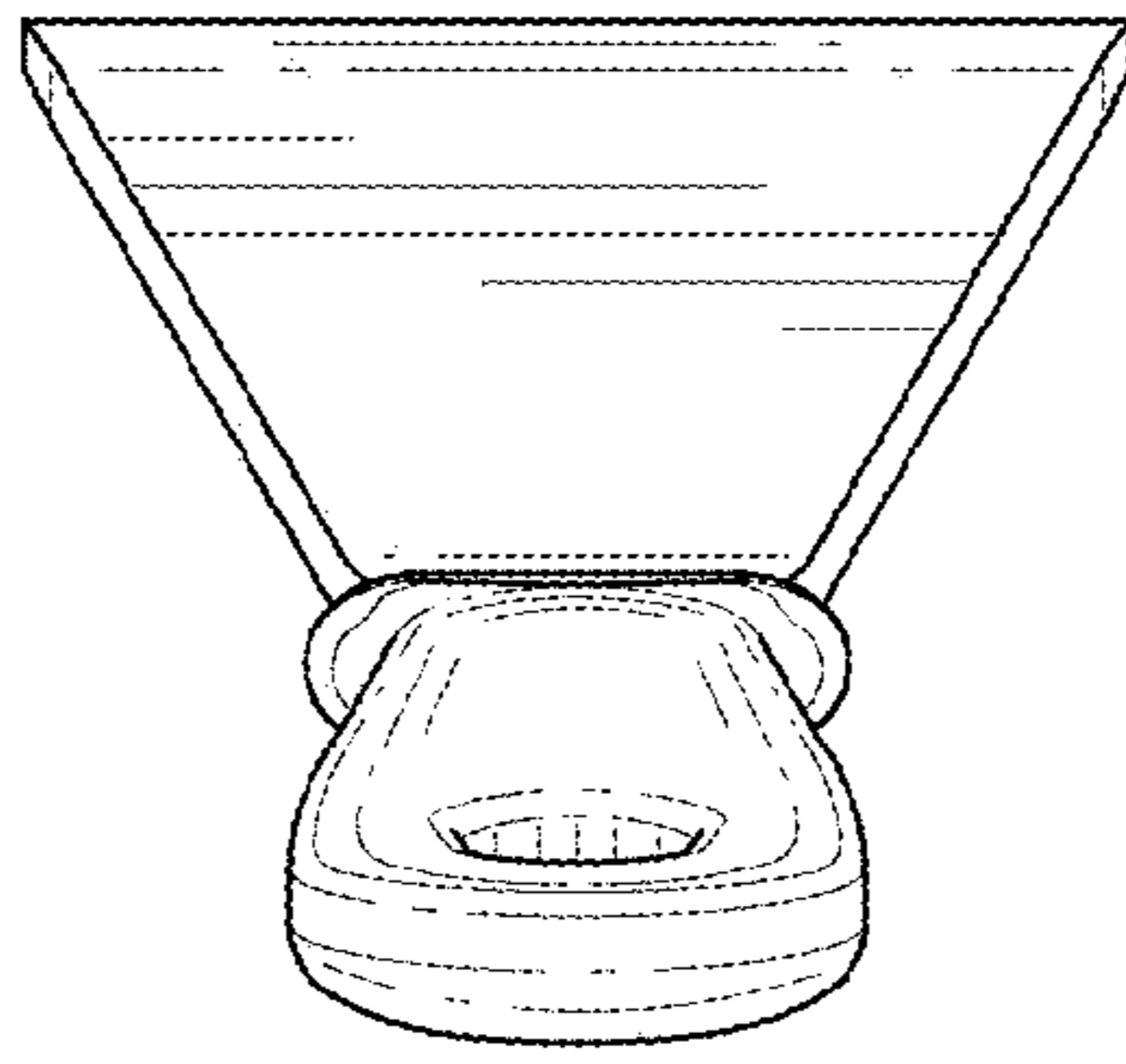


Fig. 5

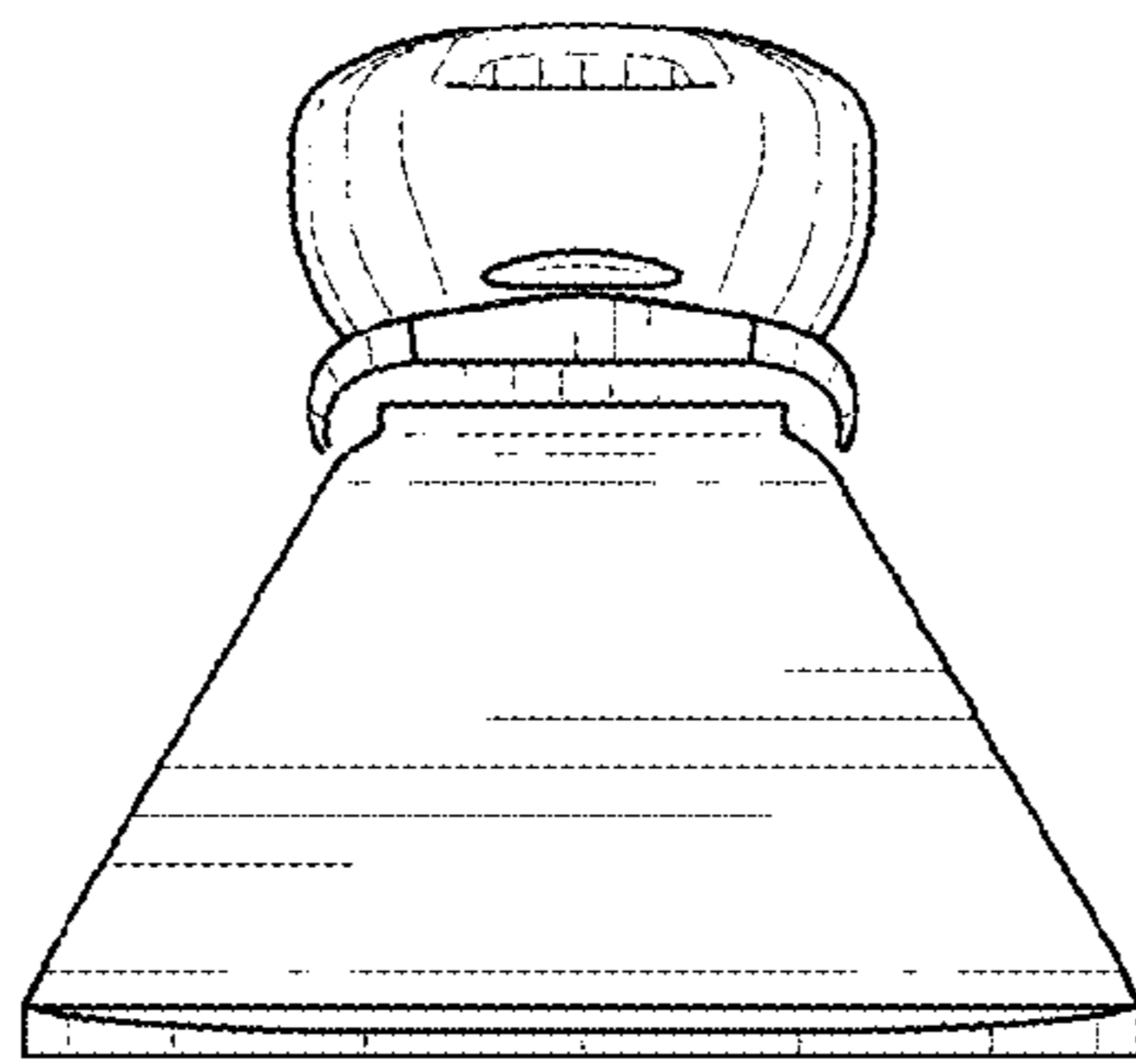


Fig. 6

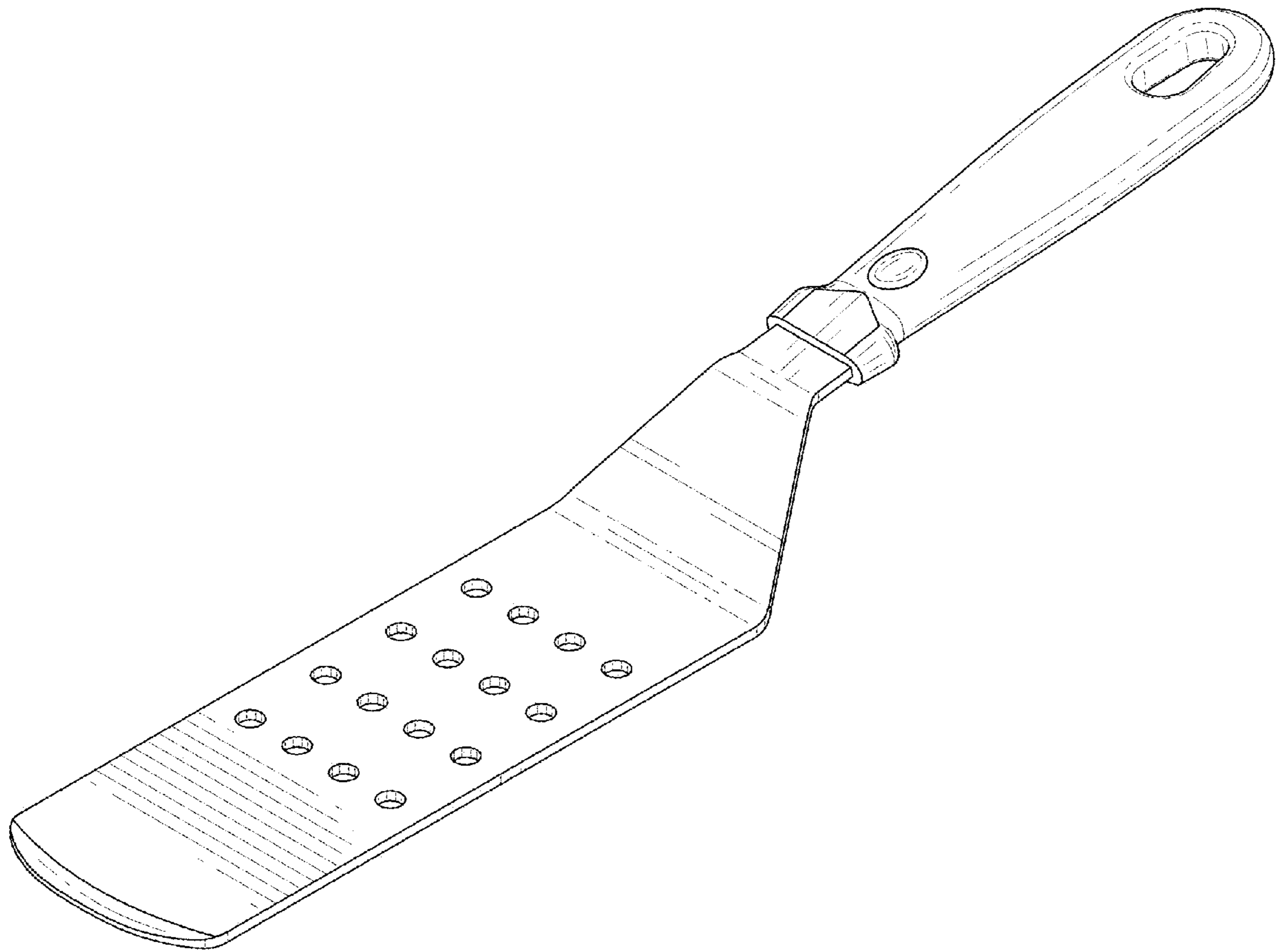


Fig. 7