



US00D923427S

(12) **United States Design Patent**  
**Malinky**

(10) **Patent No.:** **US D923,427 S**

(45) **Date of Patent:** **\*\* Jun. 29, 2021**

(54) **FUEL BOTTLE HOLDER**

(71) Applicant: **LOWBROW CUSTOMS, LLC**,  
Brunswick, OH (US)

(72) Inventor: **Tyler Malinky**, Brunswick, OH (US)

(73) Assignee: **Lowbrow Customs, LLC**, Brunswick,  
OH (US)

(\*\*) Term: **15 Years**

(21) Appl. No.: **29/691,254**

(22) Filed: **May 15, 2019**

(51) **LOC (13) Cl.** ..... **09-03**

(52) **U.S. Cl.**  
USPC ..... **D7/624.2; D7/404**

(58) **Field of Classification Search**  
USPC ..... D7/332, 401.1, 404, 500, 584, 590,  
D7/600.1, 600.2, 602, 600.4, 601, 605,  
D7/607, 608, 619.1, 620, 622, 624.1,  
D7/624.2, 624.3, 701, 704; D3/229, 306;  
D6/574, 571, 705, 677.1  
CPC . A47F 5/01; A47F 5/02; A47F 7/0064; A47G  
23/0216; A47G 23/0225; A47G 23/03;  
A47G 19/02; A47G 19/025; B65D 1/24;  
B65D 1/36; A45C 11/20  
See application file for complete search history.

(56) **References Cited**

**U.S. PATENT DOCUMENTS**

2,464,069	A *	3/1949	Benson	.....	B65D 23/104 206/466
D269,242	S *	6/1983	Grunden	.....	D7/624.2
D339,034	S *	9/1993	Walcott	.....	D7/607
D373,677	S *	9/1996	Kelly	.....	D3/229
D374,975	S *	10/1996	Vargas	.....	D3/202
D419,392	S *	1/2000	Schlebusch	.....	D7/619.1
6,401,993	B1 *	6/2002	Andrino	.....	A45F 5/00 224/148.5

D474,887	S *	5/2003	Forster	.....	D3/229
D531,858	S *	11/2006	Johnson	.....	D7/620
D544,312	S *	6/2007	Dill-Schmidt	.....	D7/624.3
D547,618	S *	7/2007	Exler	.....	D7/619.1

(Continued)

**OTHER PUBLICATIONS**

Lowbrow, Good Luck Fuel Reserve Bottle, Earliest comment date Aug. 5, 2019, [site visited Jul. 5, 2020], Available on the Internet URL <https://www.lowbrowcustoms.com/collections/lowbrow-customs-fuel-reserve-bottle-holder-carriers/products/good-luck-fuel-reserve-bottle-and-black-carrier-2-0-combo-save-4-95> (Year: 2019).\*

*Primary Examiner* — Karen S Acker

*Assistant Examiner* — Steven B Reinholdt, Jr.

(74) *Attorney, Agent, or Firm* — Renner, Otto, Boisselle & Sklar, LLP

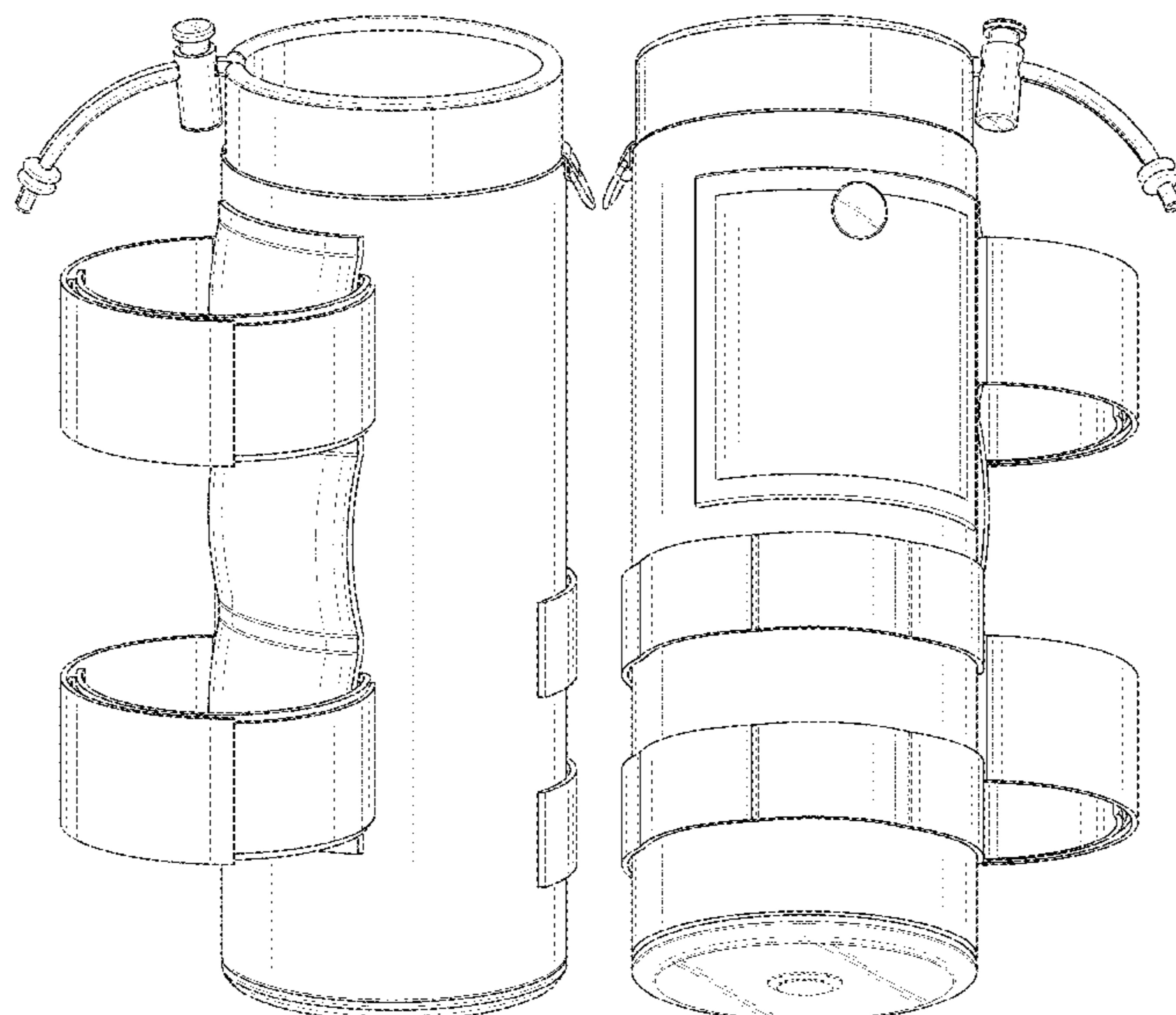
(57) **CLAIM**

The ornamental design for a fuel bottle holder, as shown and described.

**DESCRIPTION**

FIG. 1 is a top, front perspective view of a fuel bottle holder showing my new design;  
FIG. 2 is a top, right perspective view thereof;  
FIG. 3 is a top, rear perspective view thereof;  
FIG. 4 is a top, left perspective view thereof;  
FIG. 5 is a bottom, front perspective view thereof;  
FIG. 6 is a bottom, right perspective view thereof;  
FIG. 7 is a bottom, rear perspective view thereof;  
FIG. 8 is a bottom left perspective view thereof;  
FIG. 9 is a front elevation view thereof;  
FIG. 10 is a right side elevation view thereof;  
FIG. 11 is a rear elevation view thereof;  
FIG. 12 is a left side elevation view thereof;  
FIG. 13 is a top plan view thereof; and,  
FIG. 14 is a bottom plan view thereof.  
The broken lines are located on the bottom surface and on the end of the rope feature.

**1 Claim, 14 Drawing Sheets**



(56)

**References Cited**

U.S. PATENT DOCUMENTS

7,252,213	B1 *	8/2007	DeSanto	.....	A45F 5/00 224/148.4
D577,483	S *	9/2008	Tagliati	.....	D3/202
7,487,769	B2 *	2/2009	Lubben	.....	F41B 11/50 124/45
D653,445	S *	2/2012	Enghard	.....	D3/229
D858,226	S *	9/2019	Escontrela	.....	D7/701
D885,148	S *	5/2020	Wang	.....	D7/701
D887,790	S *	6/2020	Coplin	.....	B65D 23/0842 D7/624.2
D888,505	S *	6/2020	Seiders	.....	D7/624.2
2007/0138188	A1 *	6/2007	Mace	.....	B31D 5/0086 220/739

\* cited by examiner

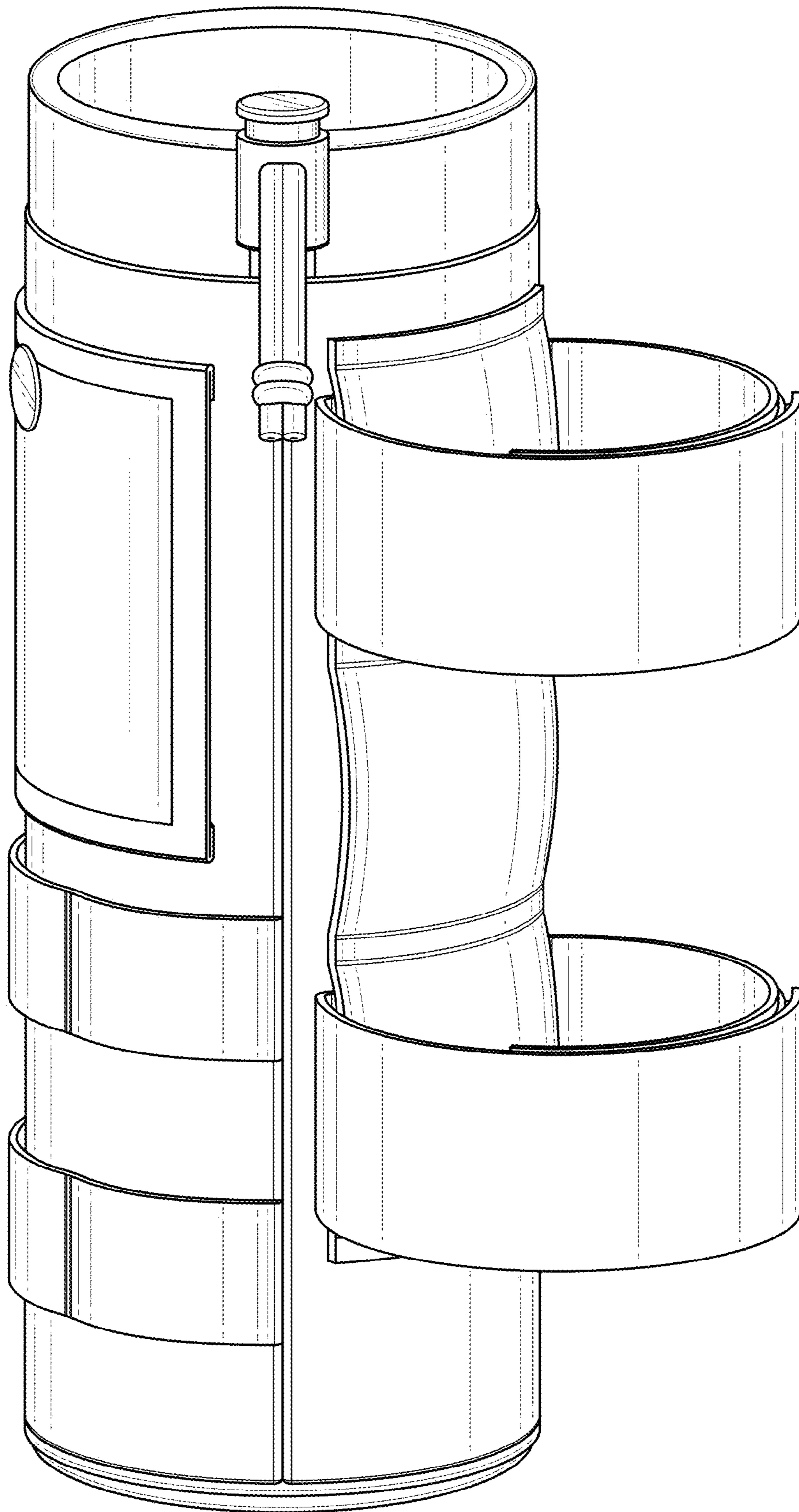


FIG. 1



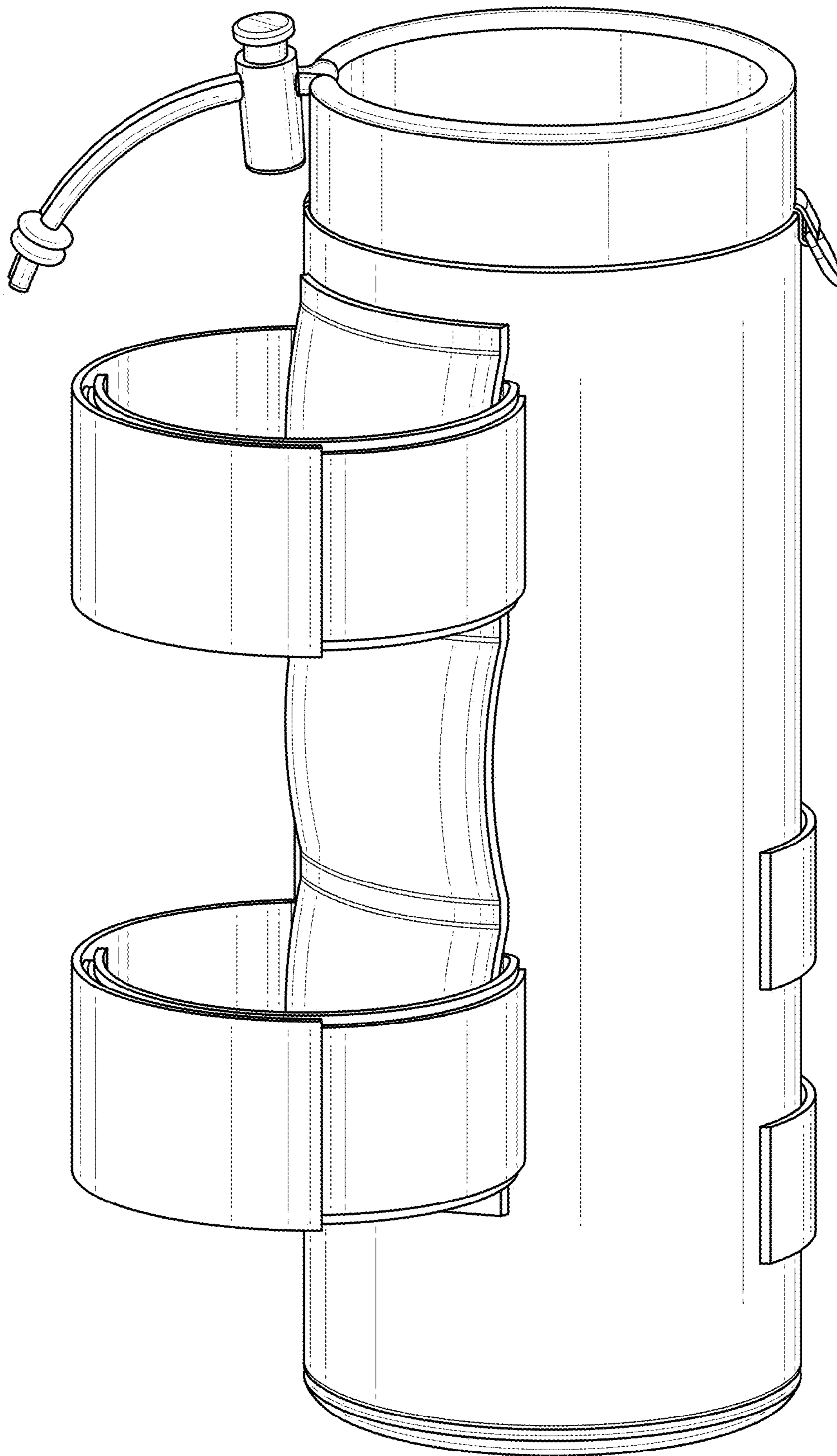


FIG. 2

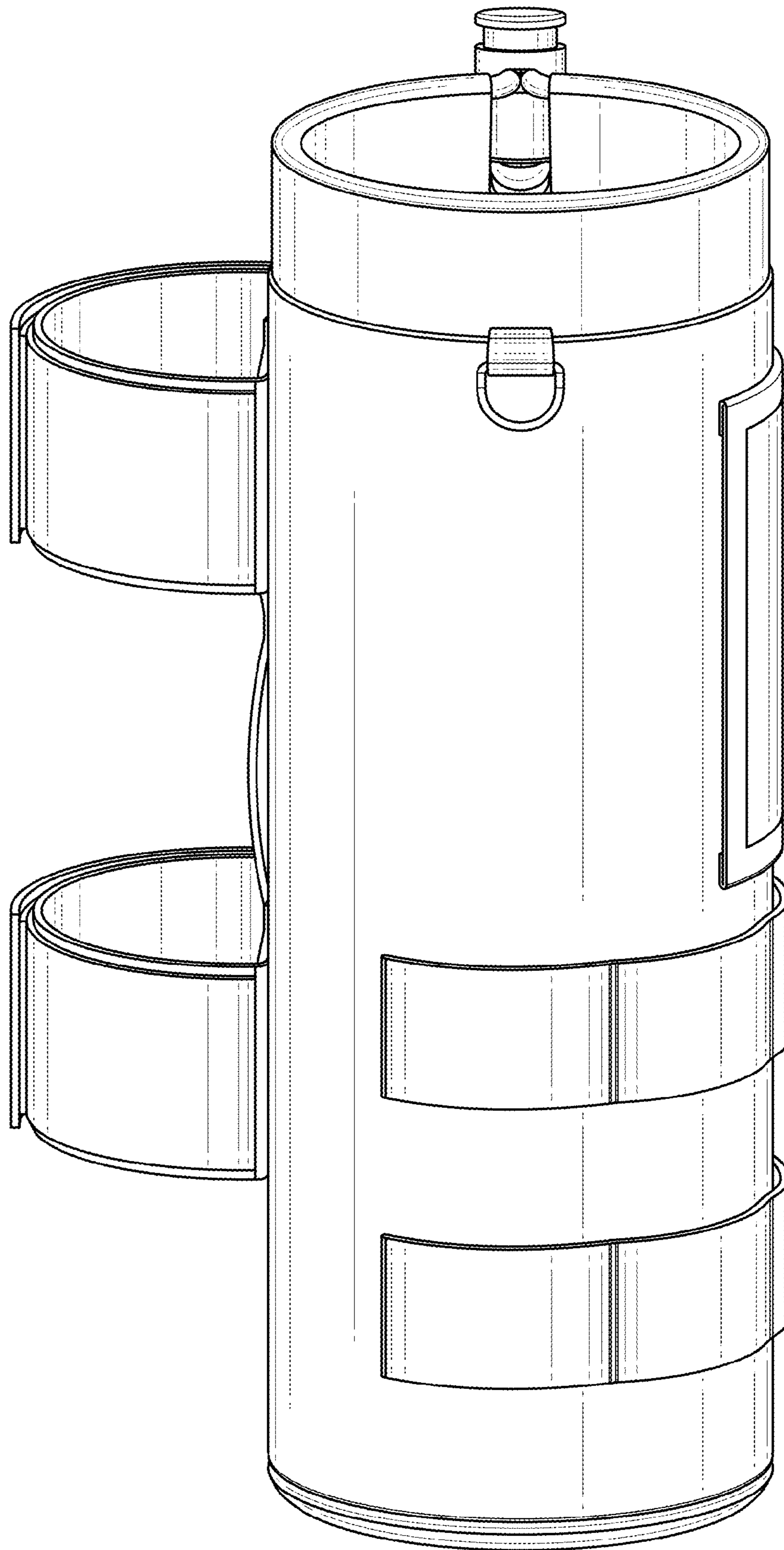


FIG. 3

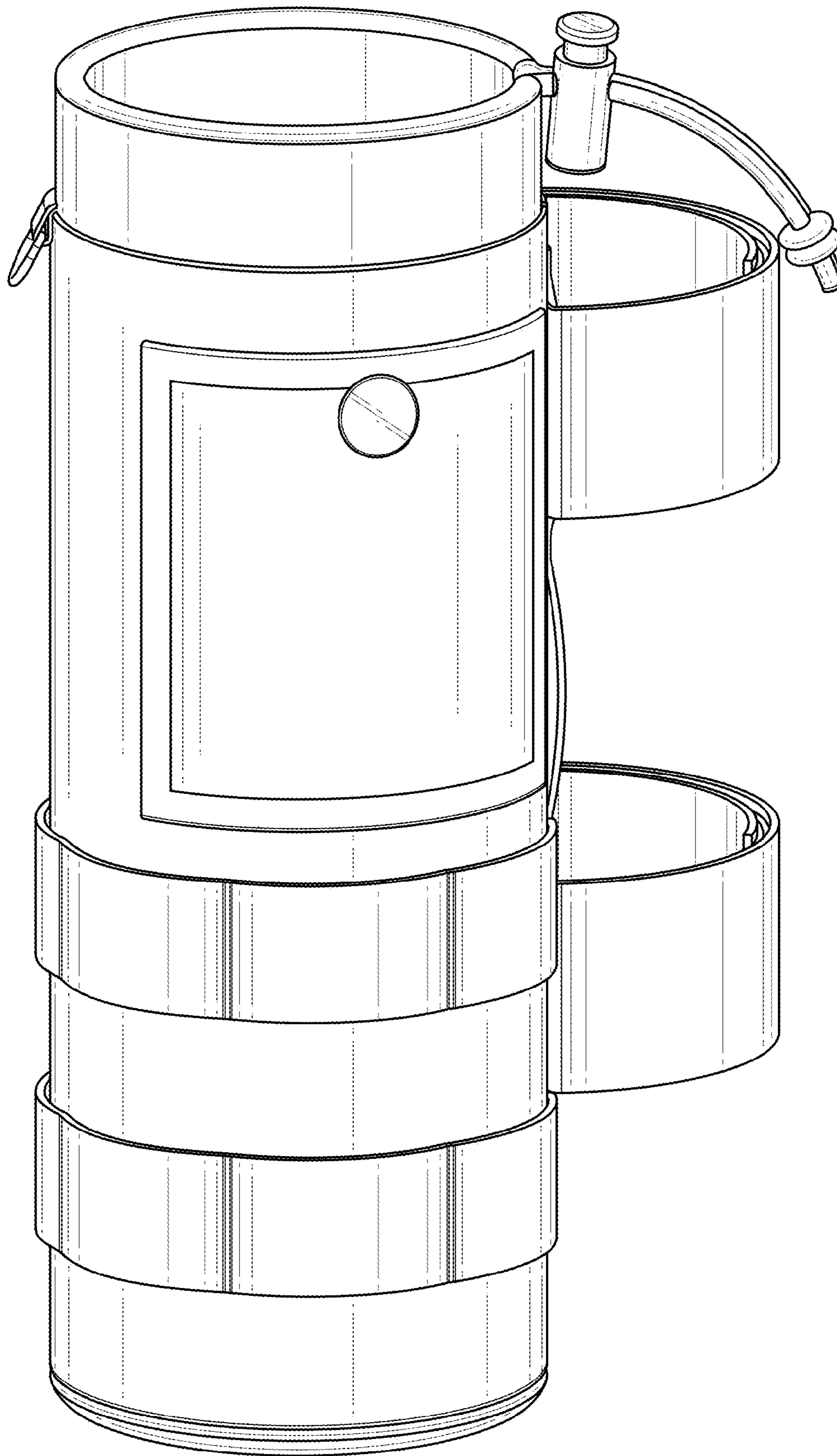


FIG. 4

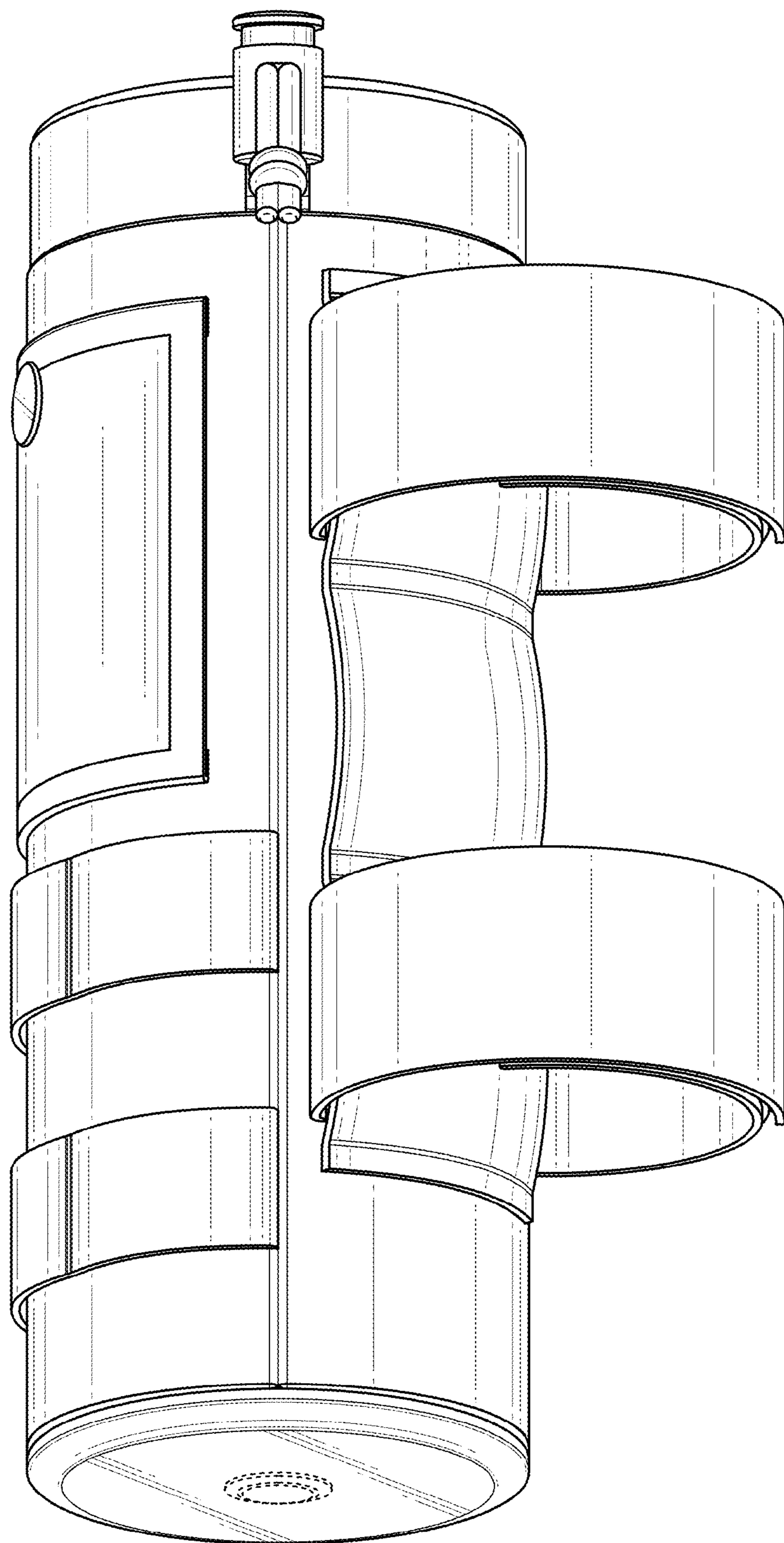


FIG. 5



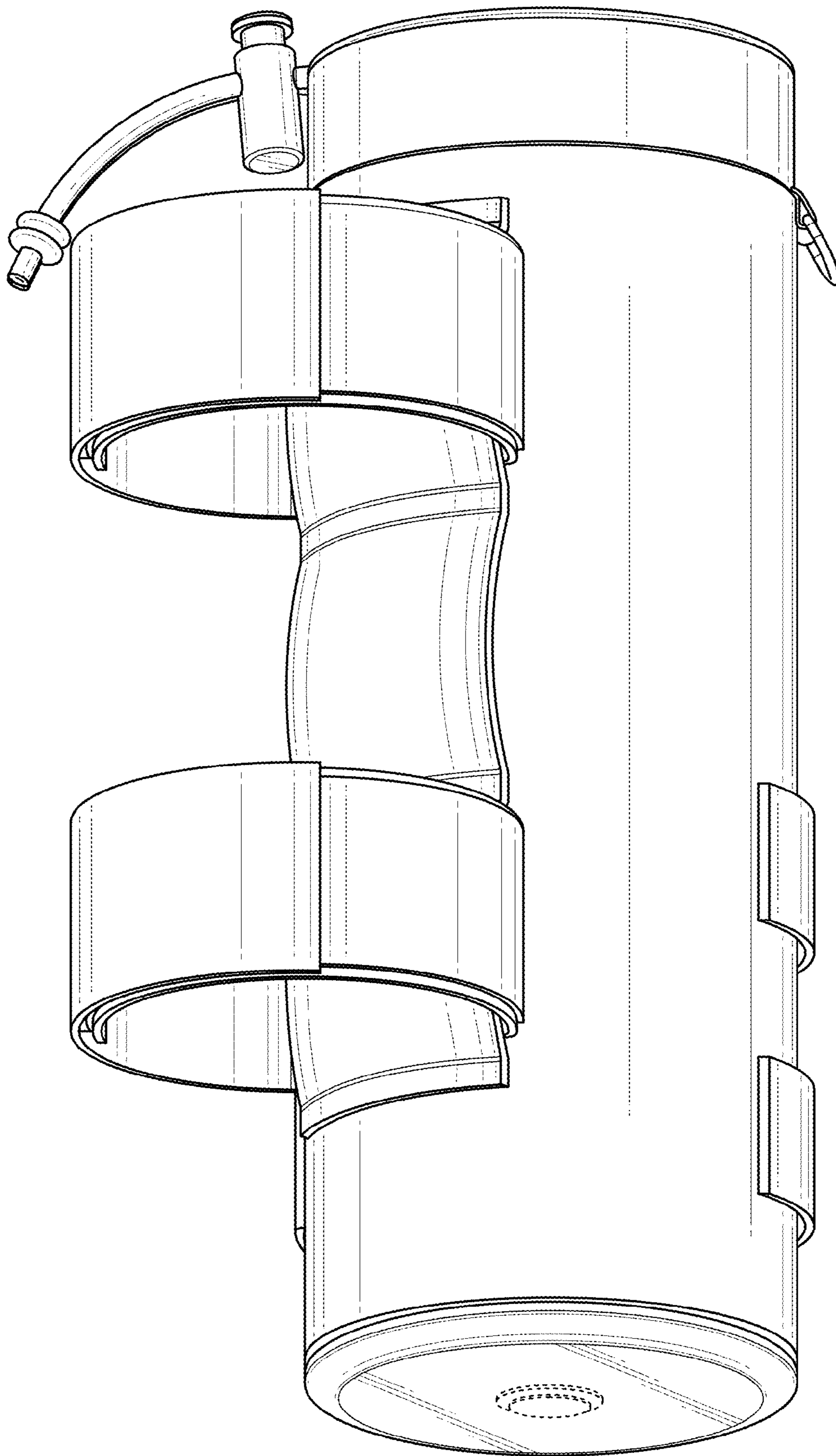


FIG. 6



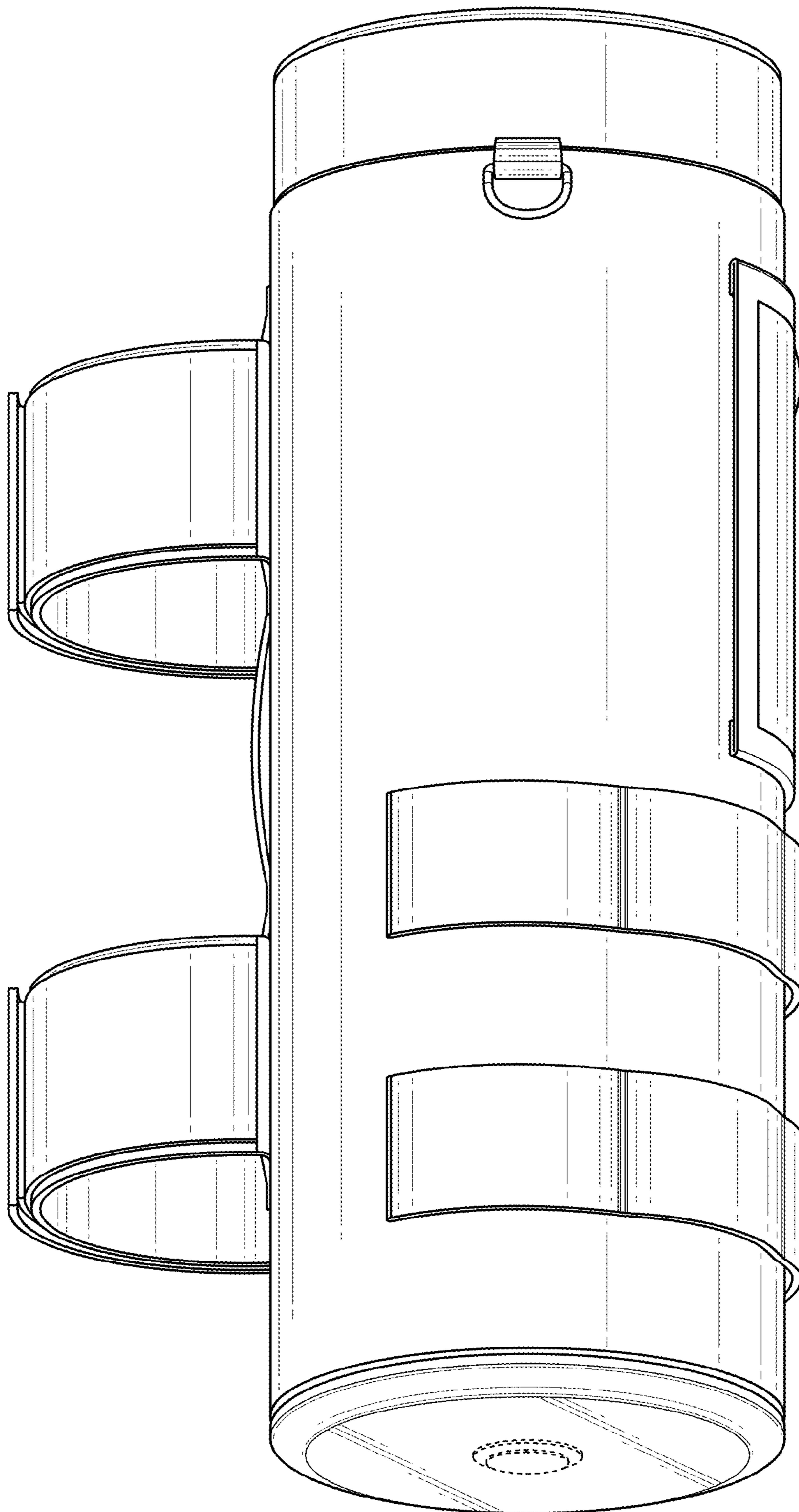


FIG. 7

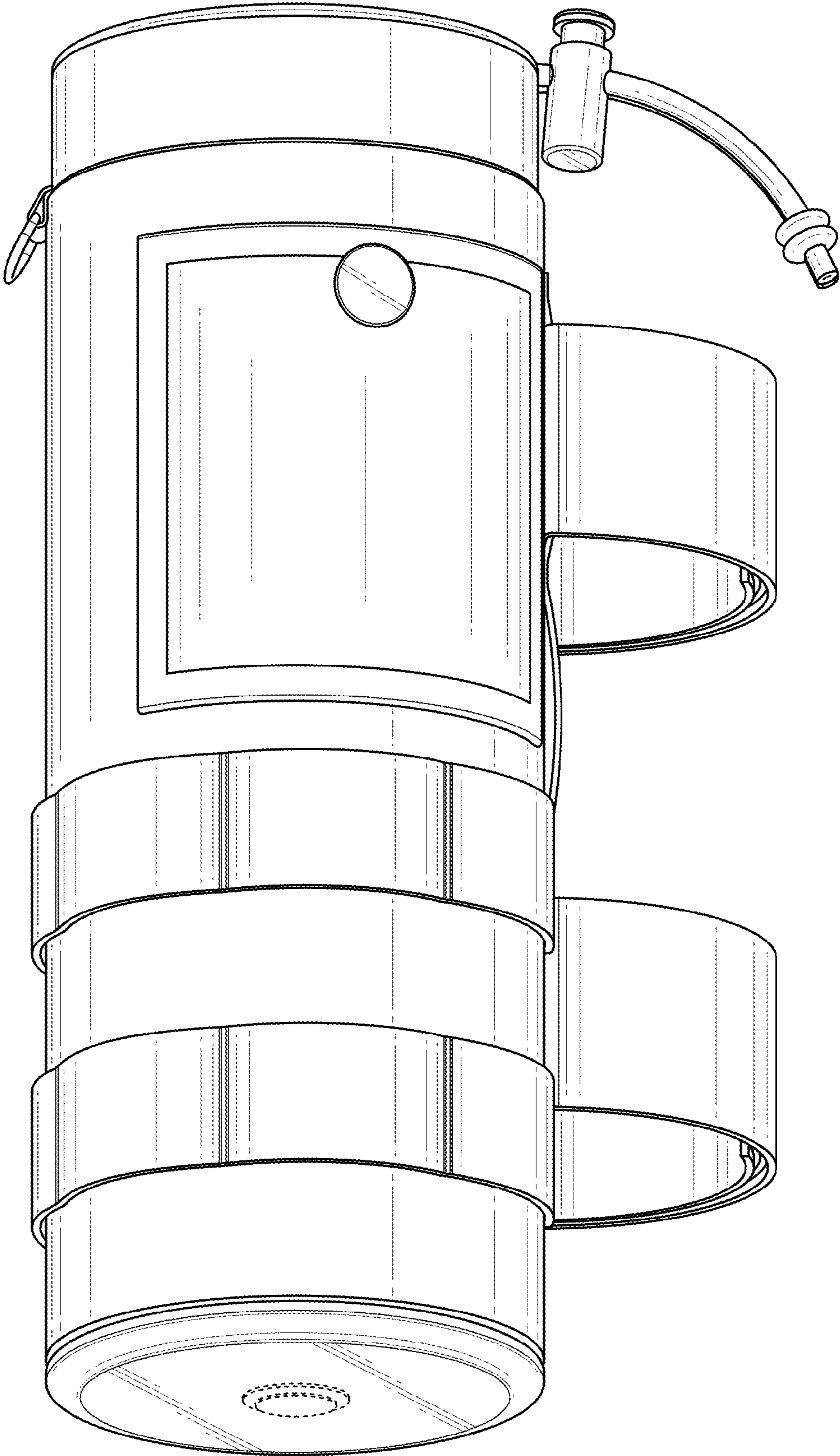


FIG. 8

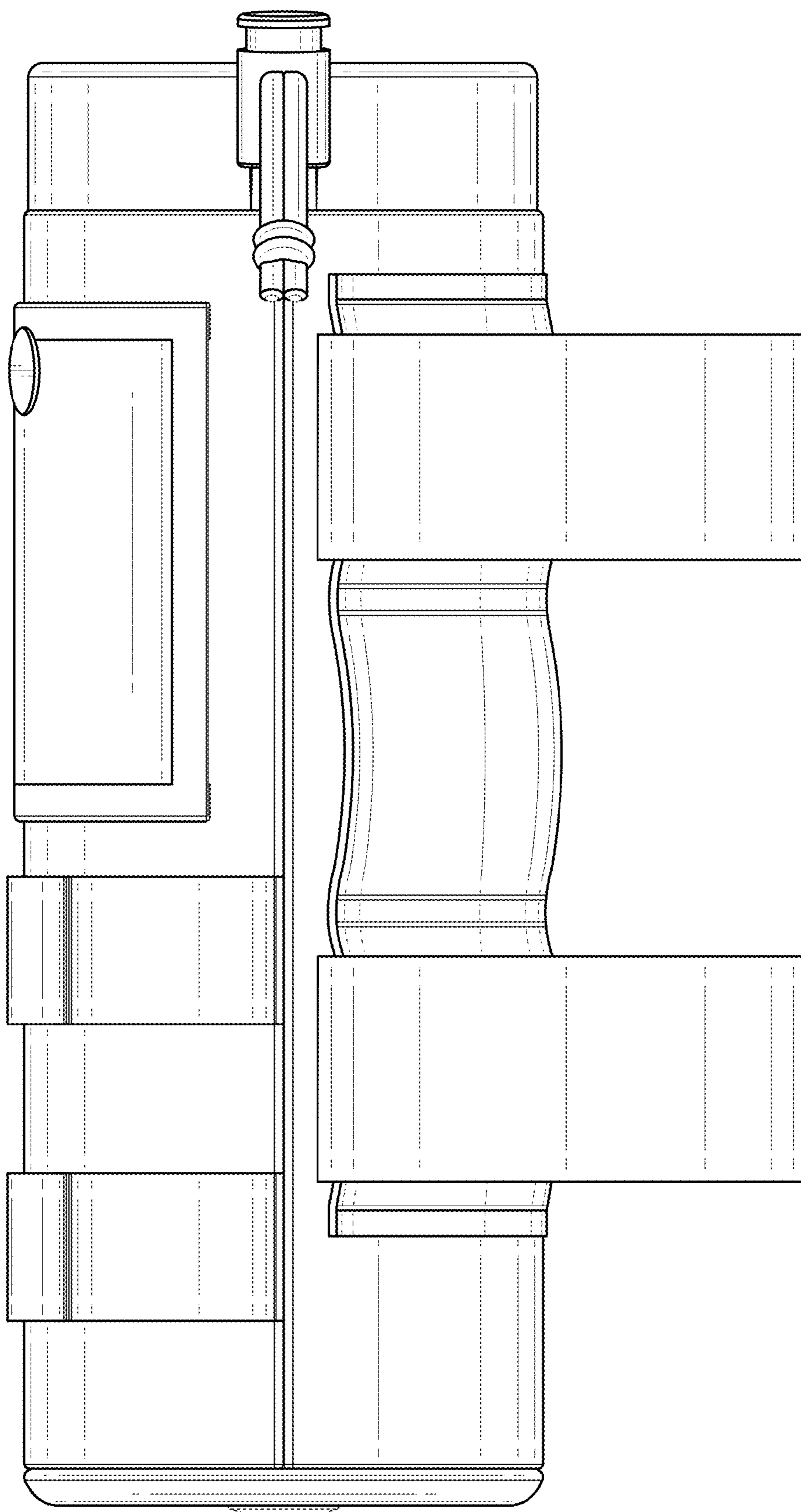


FIG. 9

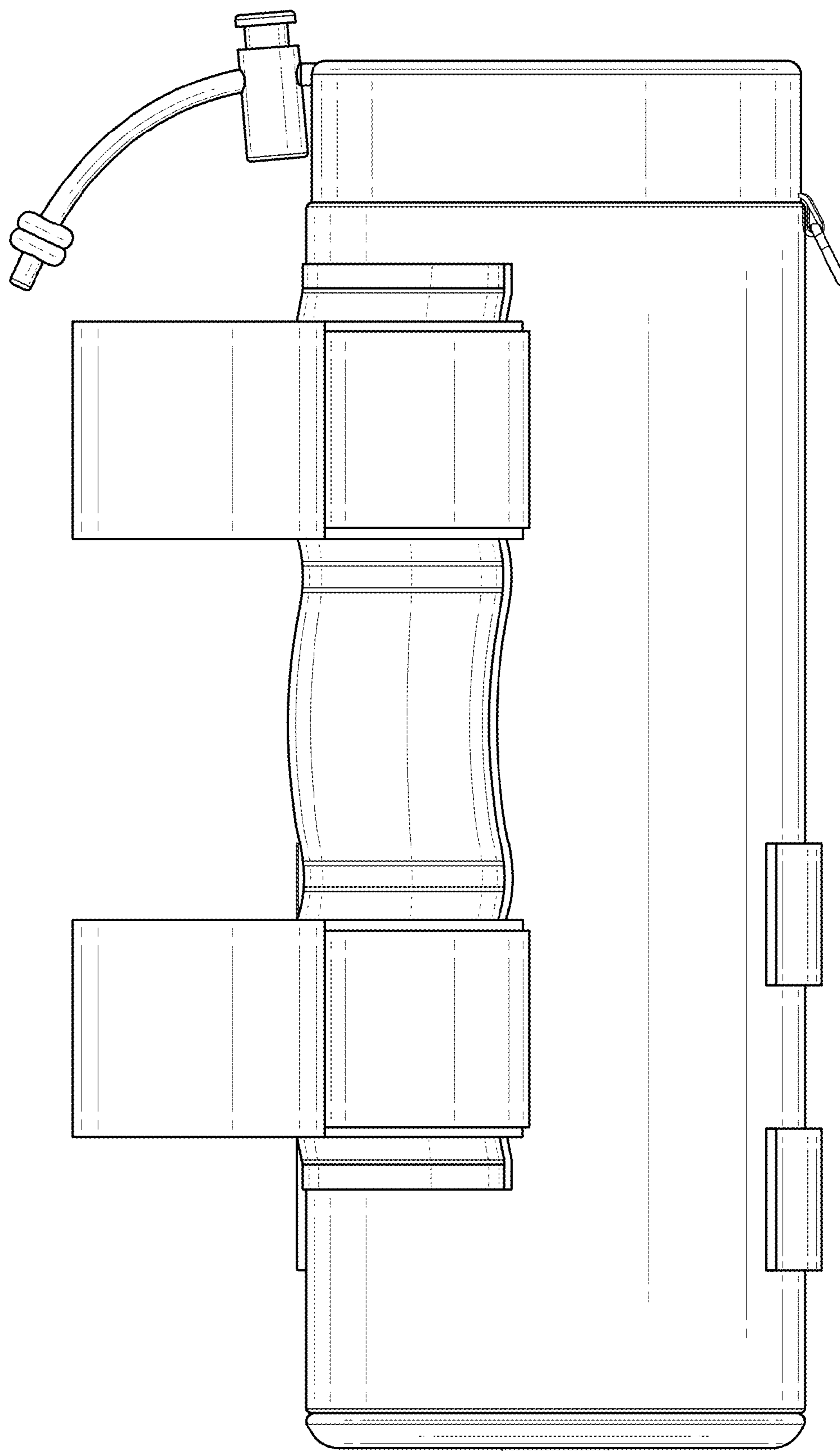


FIG. 10



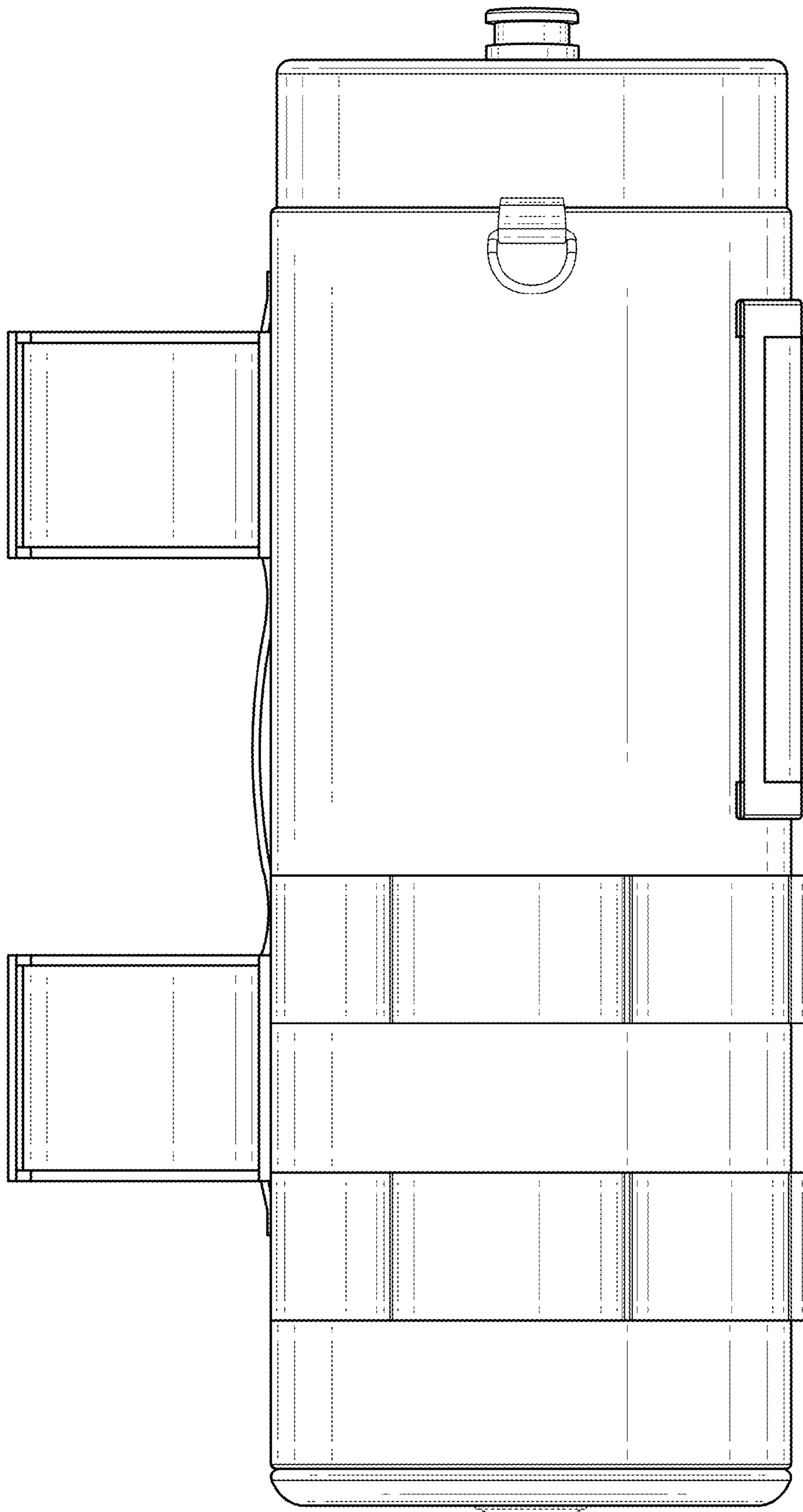


FIG. 11

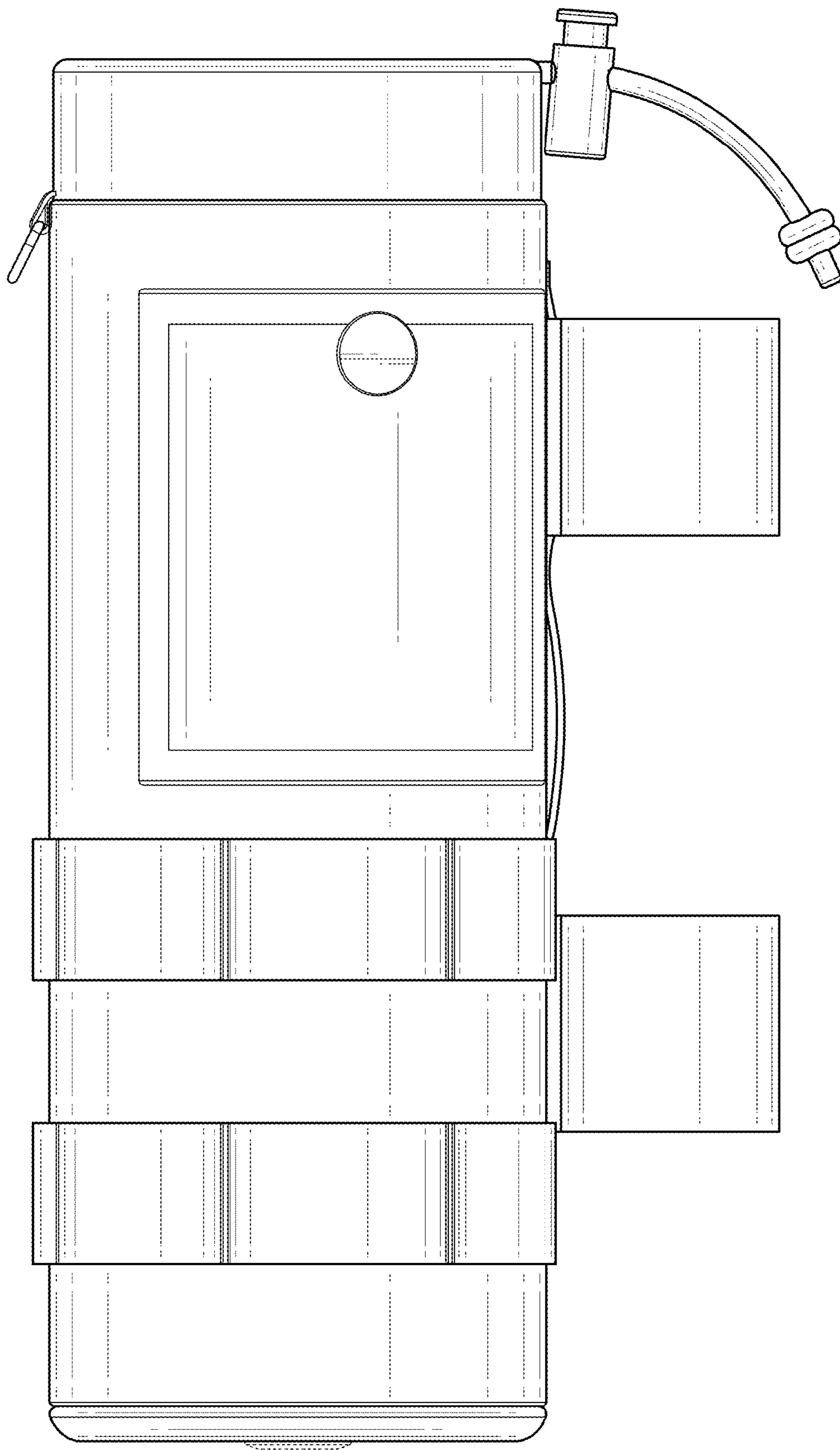


FIG. 12

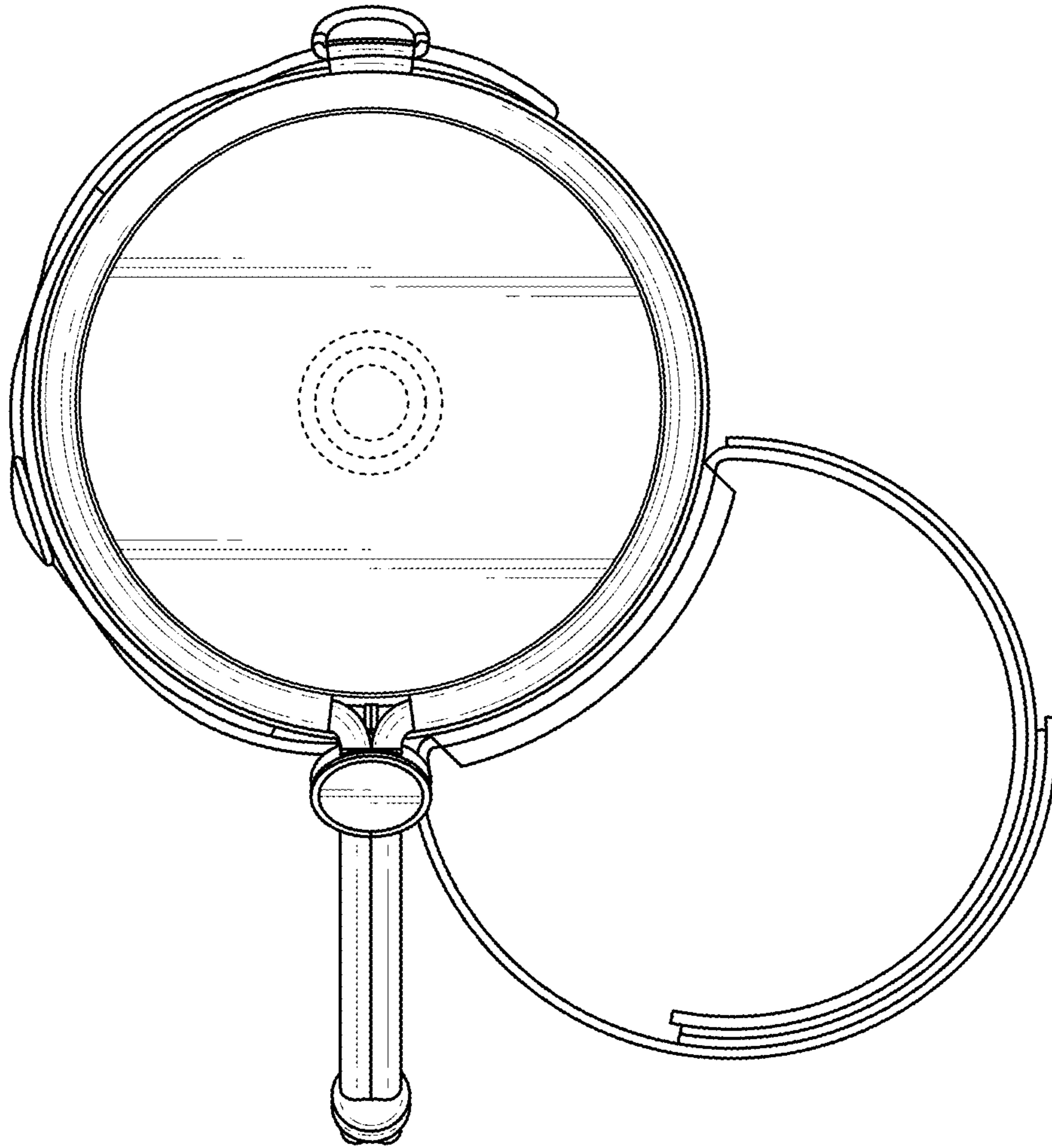


FIG. 13

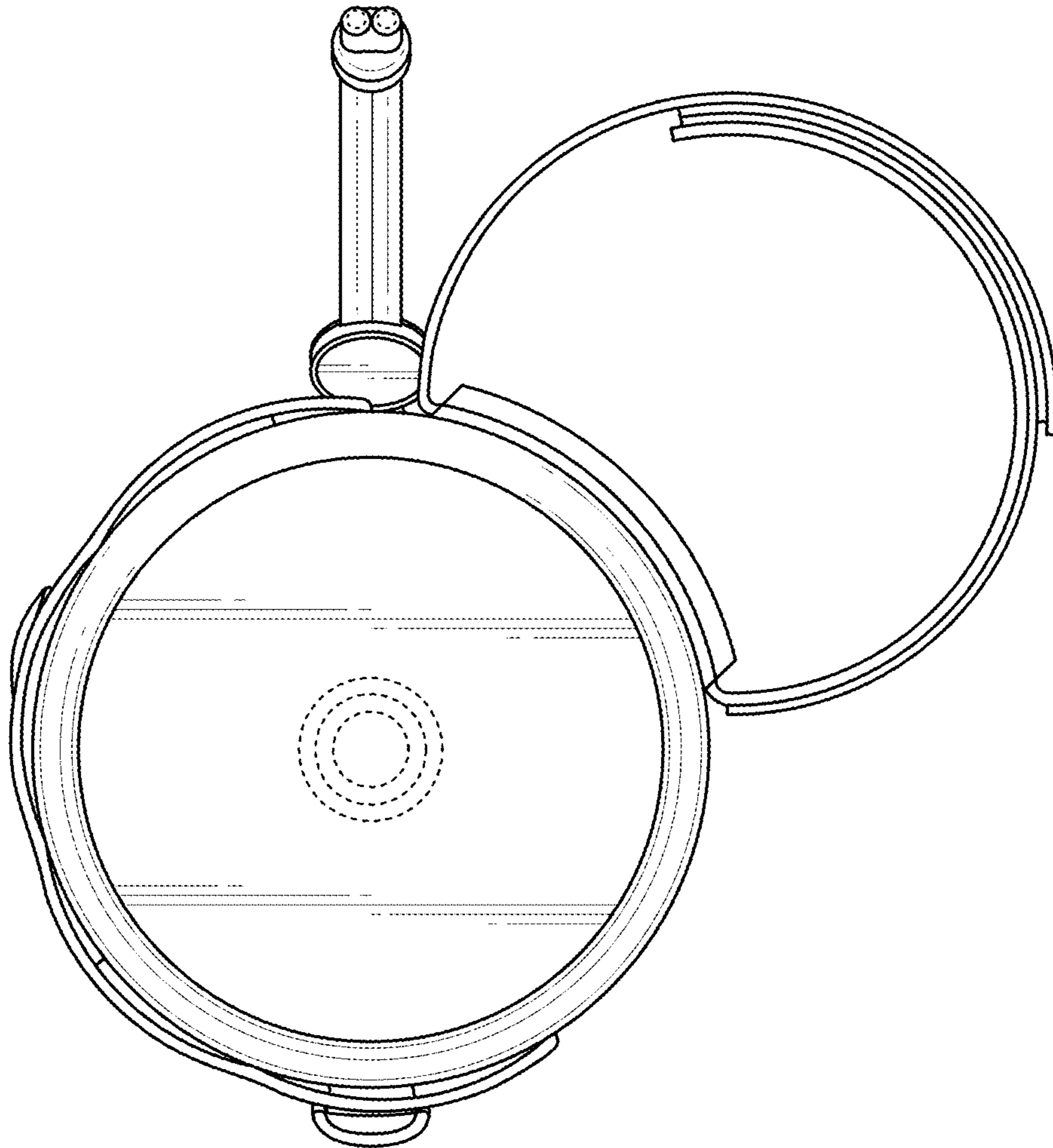


FIG. 14