



US00D923426S

(12) **United States Design Patent** (10) **Patent No.:** **US D923,426 S**
Seow (45) **Date of Patent:** **** Jun. 29, 2021**

(54) **INSULATED CONTAINER FOR BEVERAGE BOTTLES AND CANS**

D743,741 S * 11/2015 Itzhaki D7/510
D788,545 S * 6/2017 Petre D7/608
D790,277 S * 6/2017 Mackesy, II D7/507
D862,993 S * 10/2019 Allsop D7/608
2012/0091131 A1* 4/2012 Arjomand B65D 21/0228
220/4.01

(71) Applicant: **Kian Beng Seow**, Sydney (AU)

(72) Inventor: **Kian Beng Seow**, Sydney (AU)

(**) Term: **15 Years**

* cited by examiner

(21) Appl. No.: **29/704,874**

Primary Examiner — Terry A Wallace

(22) Filed: **Sep. 9, 2019**

(51) **LOC (13) Cl.** **07-01**

(52) **U.S. Cl.**
USPC **D7/608**

(57) **CLAIM**

The ornamental design of an insulated container for beverage bottles and cans, as shown and described.

(58) **Field of Classification Search**
USPC D7/605–608, 509–511; D9/500–505, D9/516; D8/34
CPC B65D 81/3837; B65D 81/3839; B65D 81/3841; B65D 81/3844; B65D 81/3846; B65D 81/3869; B65D 81/3881; B65D 81/3876; A47J 41/0005; A47J 41/0083; A47J 41/02; A47J 41/024; A47J 41/026; A47J 41/028; A47J 41/0077; A47J 41/00; A47J 41/022; F25D 2331/803; F25D 3/08; A45C 11/20

DESCRIPTION

FIG. 1 is a top perspective view of the insulated container for beverage bottles and cans showing my new design.
FIG. 2 is a bottom perspective view thereof.
FIG. 3 is a right side view thereof.
FIG. 4 is a left side view thereof.
FIG. 5 is a front view thereof.
FIG. 6 is a rear view thereof.
FIG. 7 is a top plan view thereof.
FIG. 8 is a bottom plan view thereof.
FIG. 9 is an exploded perspective view thereof, the beverage bottle is shown in broken lines and forms no part of the claimed design.
FIG. 10 is an exploded perspective view thereof, the beverage can is shown in broken lines and forms no part of the claimed design; and,
FIG. 11 is an exploded view thereof.

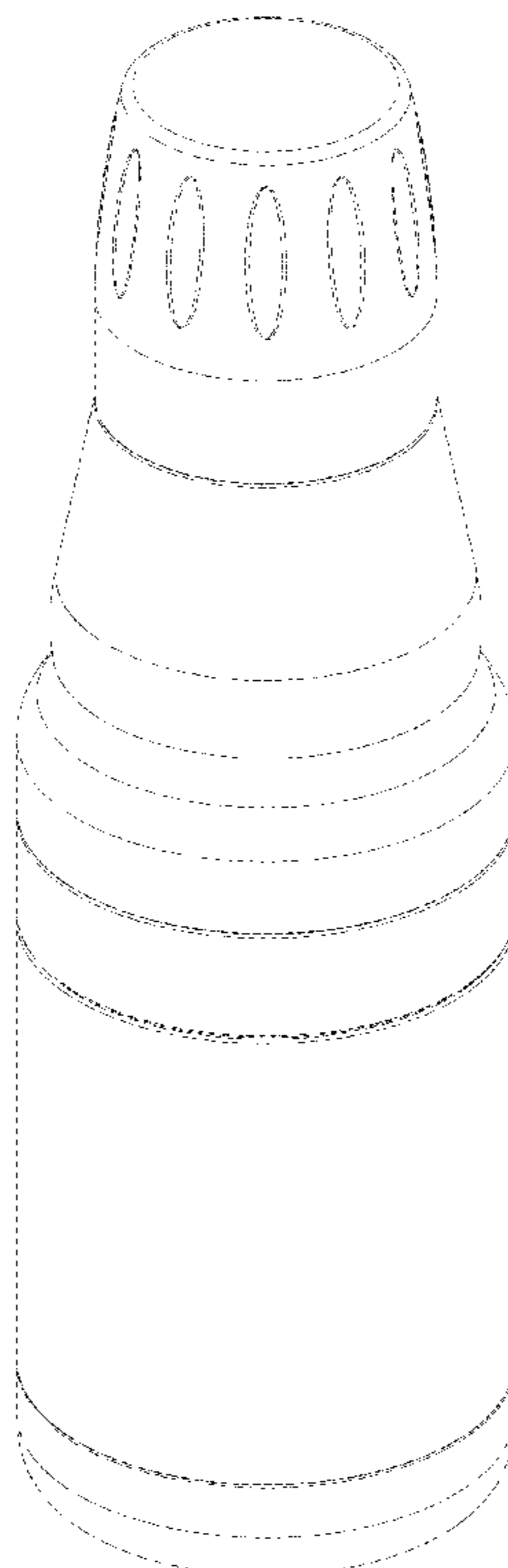
See application file for complete search history.

(56) **References Cited**

U.S. PATENT DOCUMENTS

D506,910 S * 7/2005 Tham-itthisak D7/509
D553,914 S * 10/2007 Wahl D7/608
D559,629 S * 1/2008 Gifford, Jr. D7/608
D702,092 S * 4/2014 Mettler D7/608

1 Claim, 8 Drawing Sheets



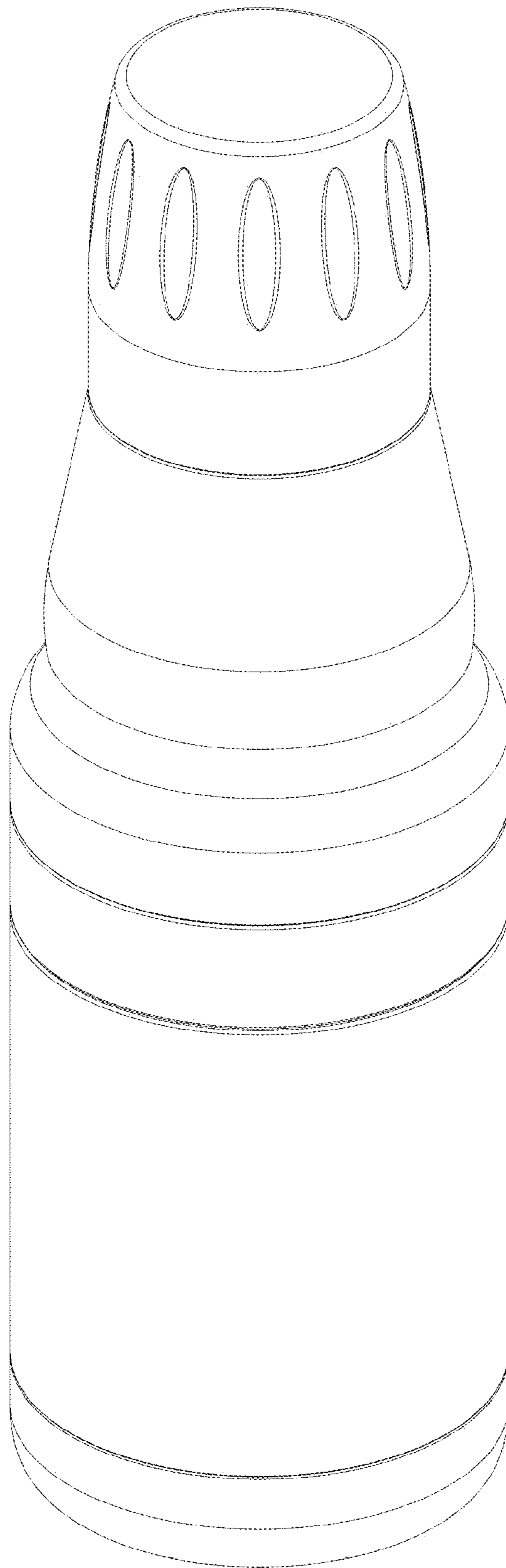


fig. 1

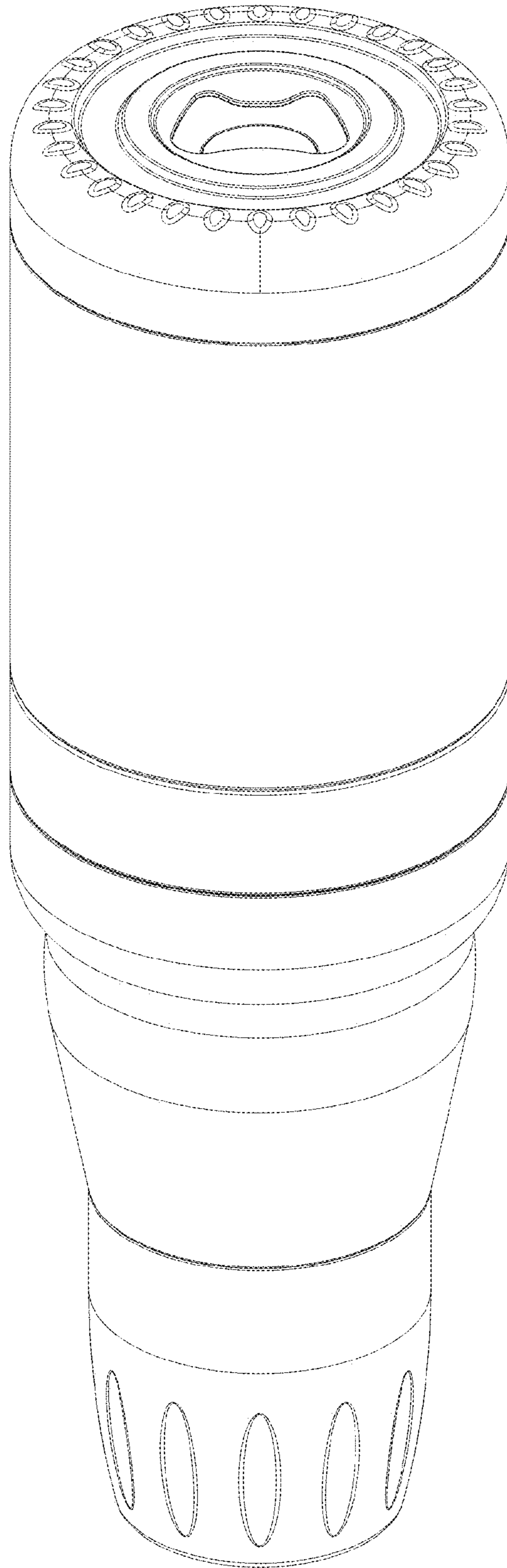


fig.2

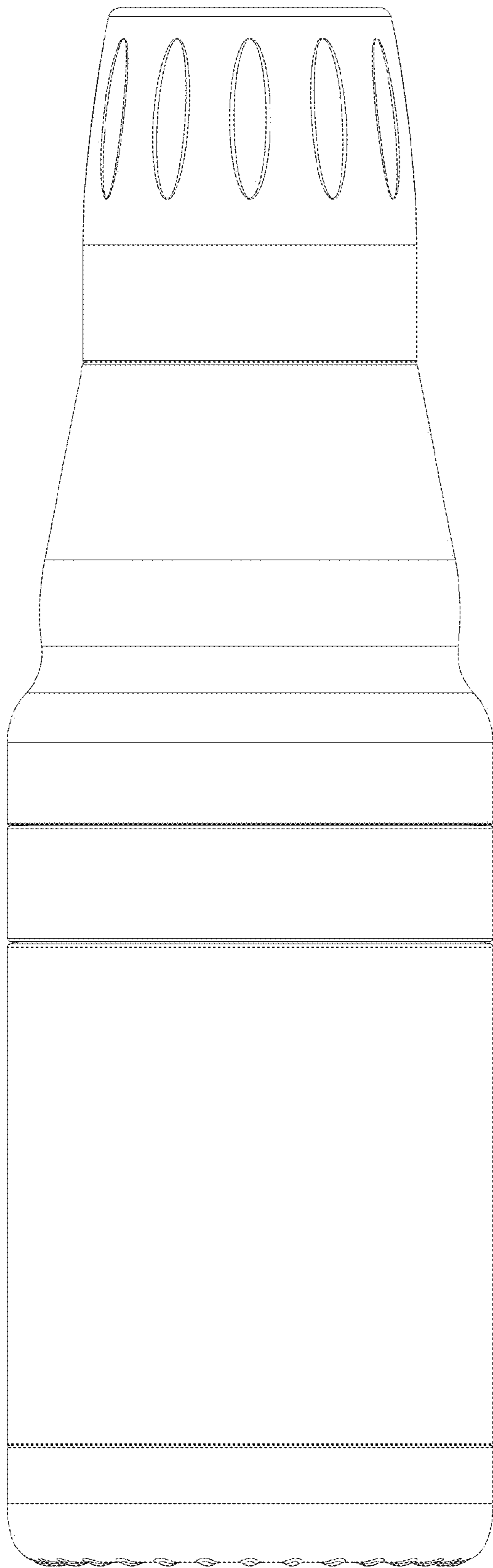


fig.3

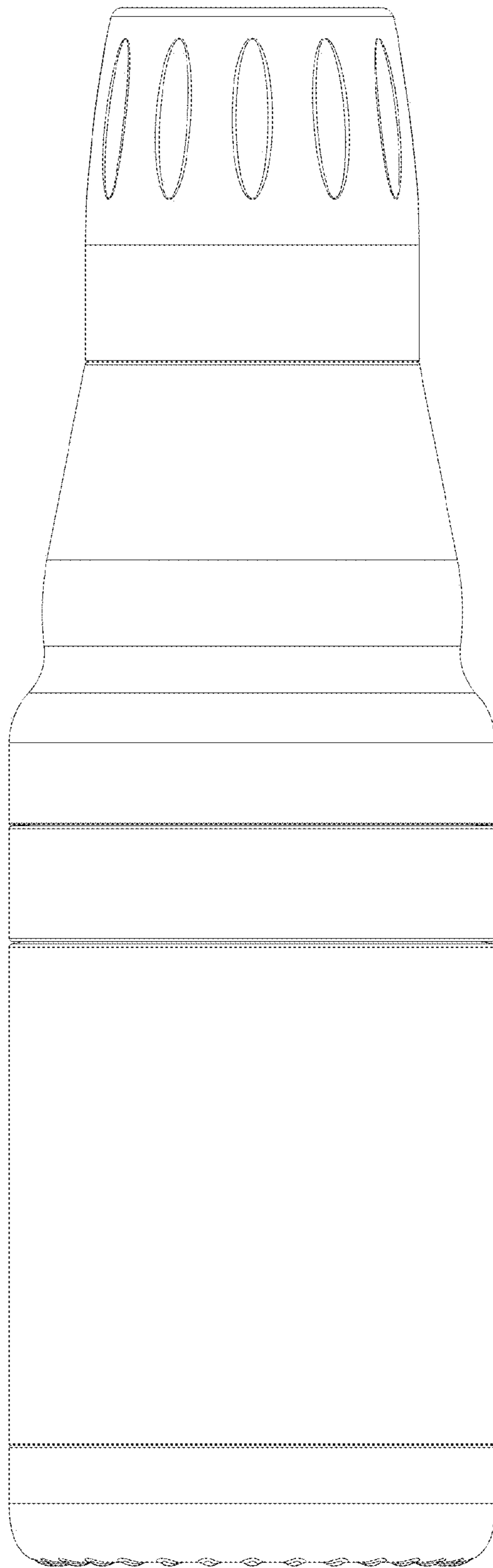


fig.4

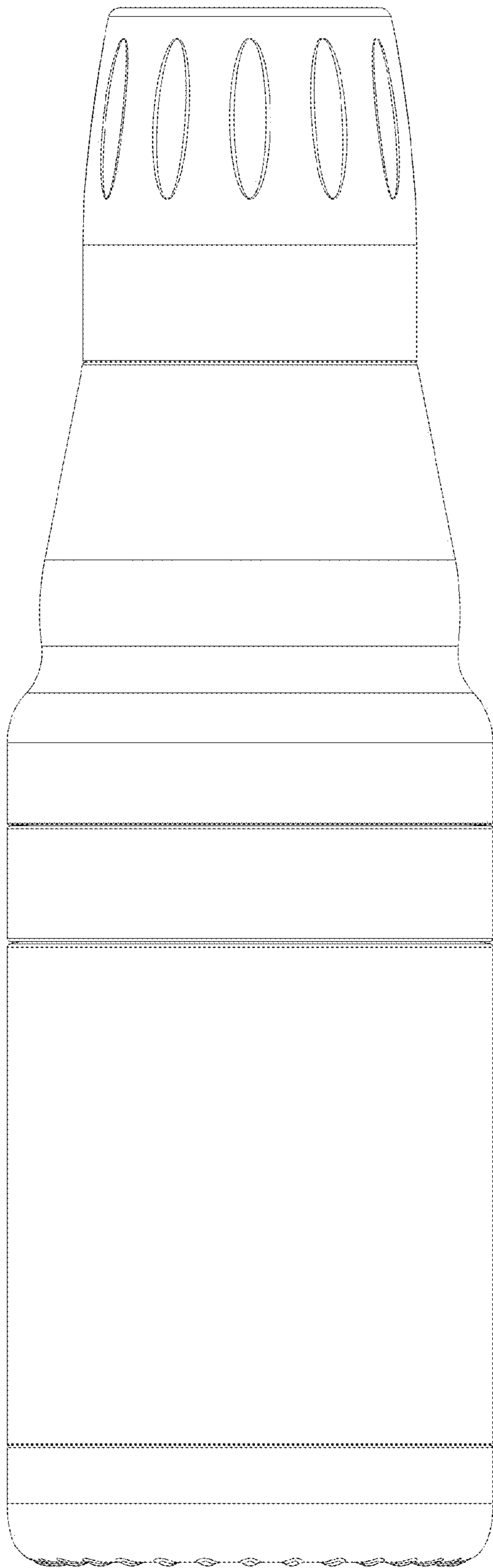


fig.5

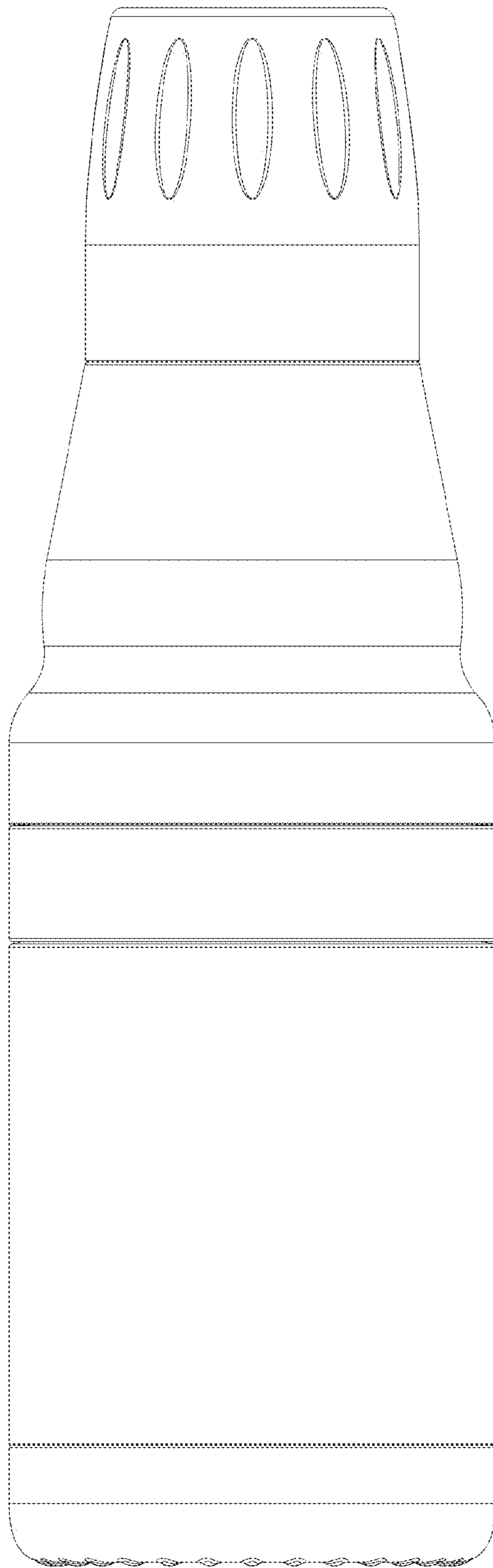


fig.6

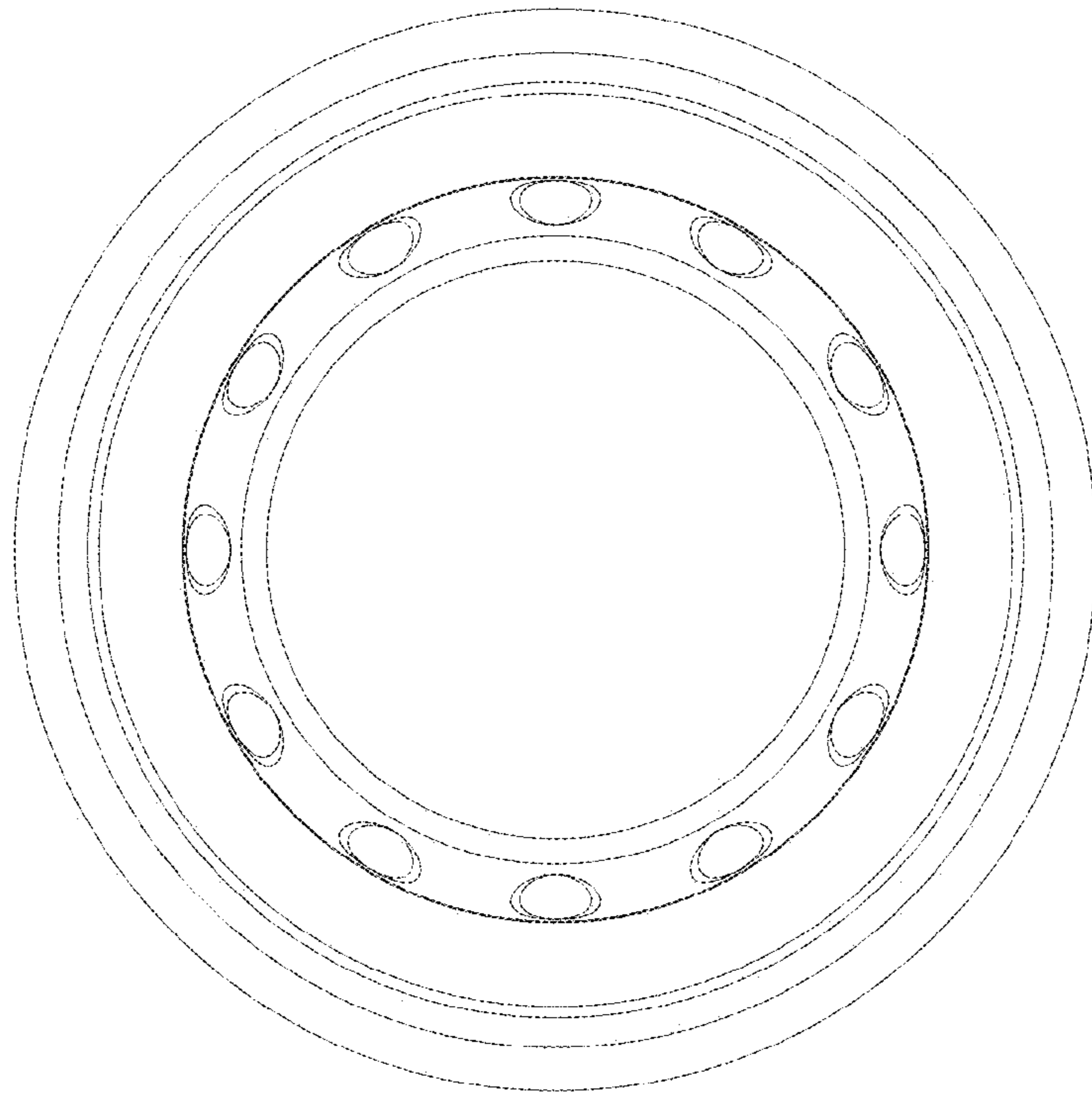


fig.7

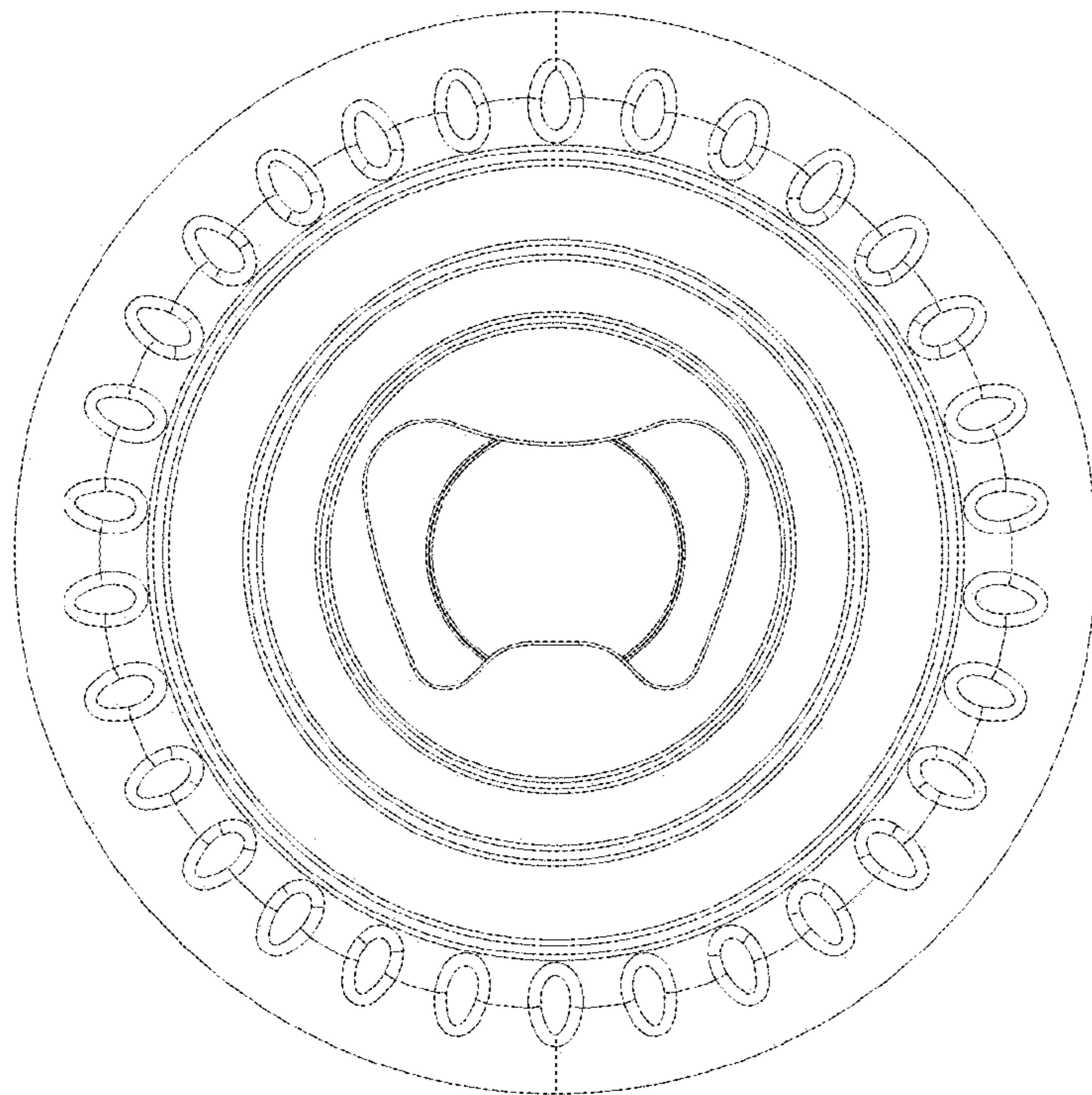


fig.8

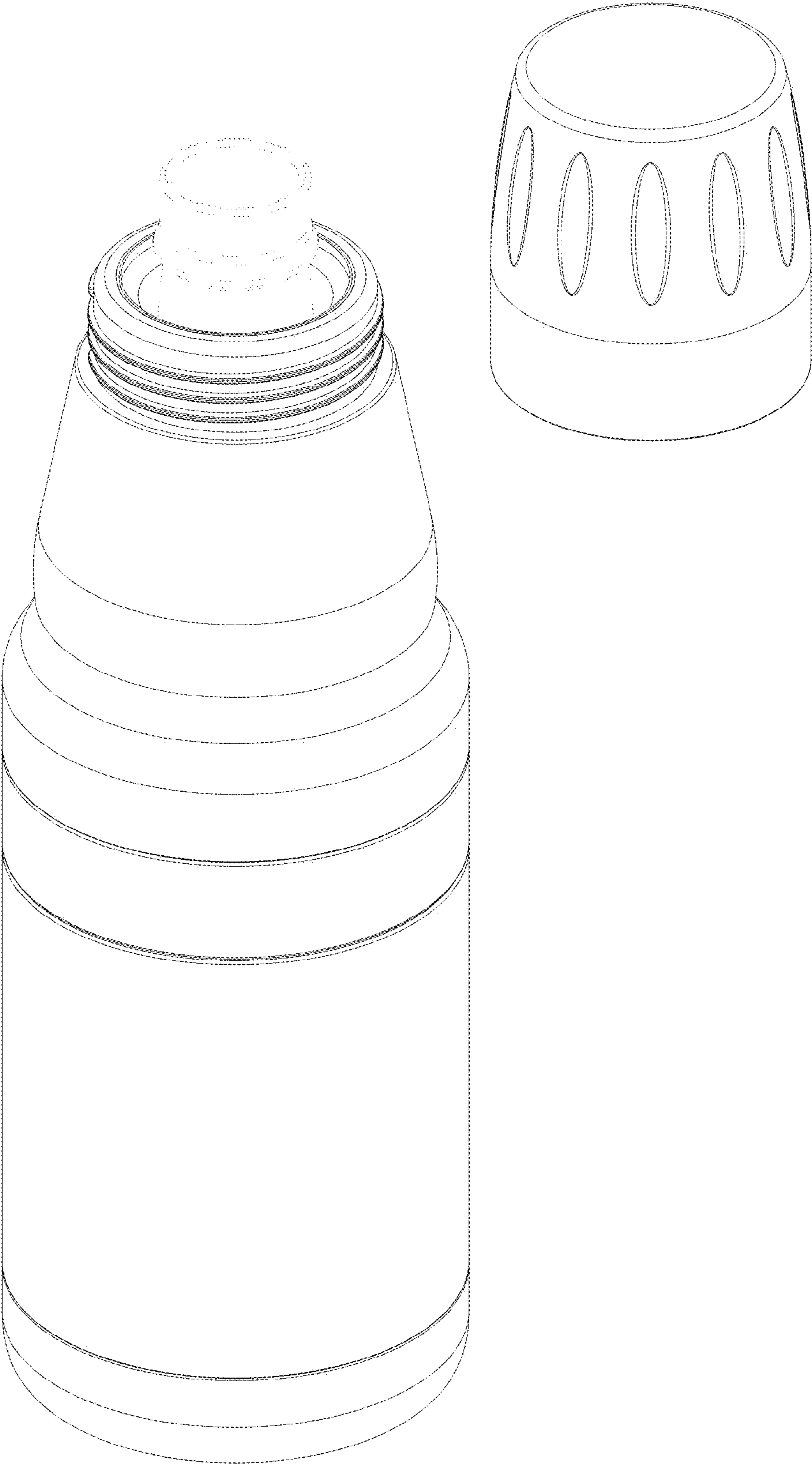


fig.9

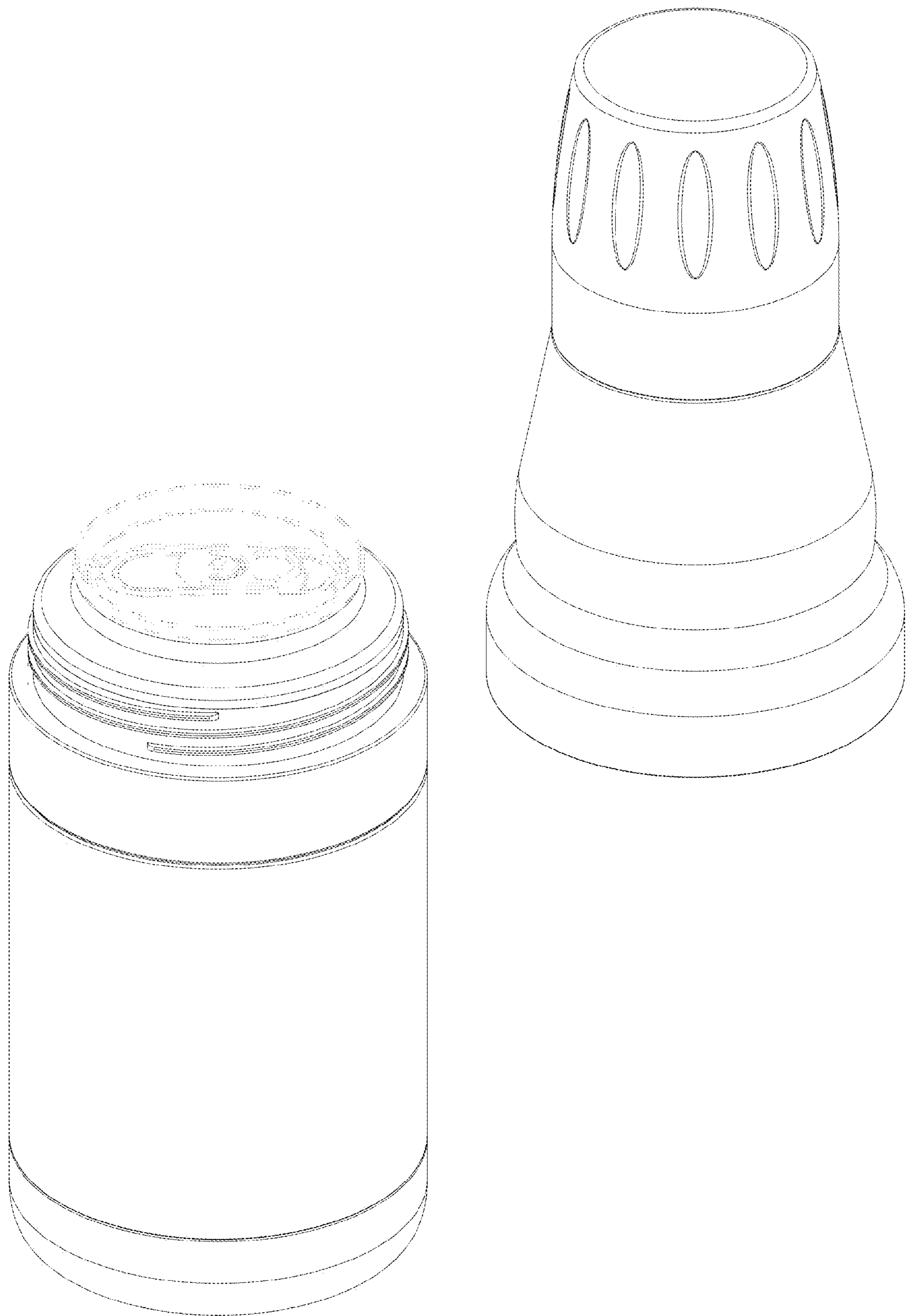


fig. 10

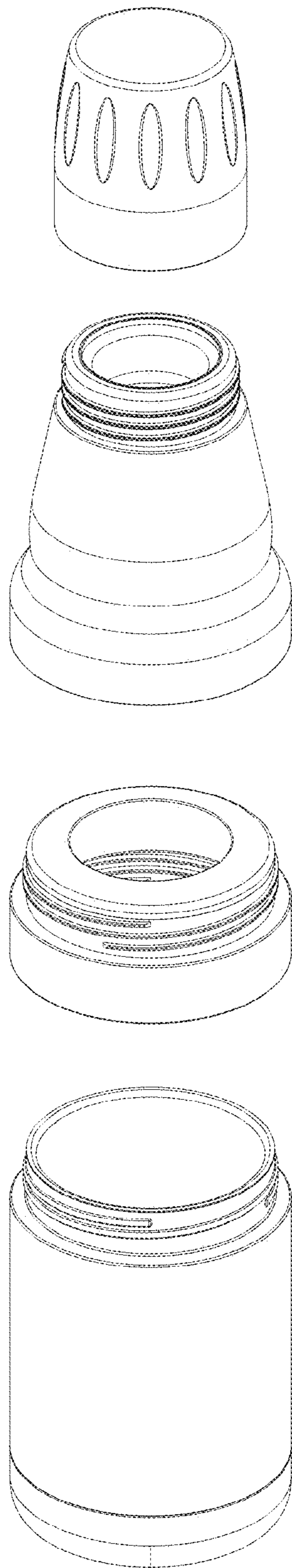


fig. 11