

US00D923418S

(12) **United States Design Patent** (10) **Patent No.:** **US D923,418 S**
Huang (45) **Date of Patent:** **** Jun. 29, 2021**

(54) **CAKE STAND PILLAR**

(71) Applicant: **Weining Huang**, Fujian (CN)

(72) Inventor: **Weining Huang**, Fujian (CN)

(**) Term: **15 Years**

(21) Appl. No.: **29/751,520**

(22) Filed: **Sep. 22, 2020**

(51) **LOC (13) Cl.** **07-01**

(52) **U.S. Cl.**
USPC **D7/558**

(58) **Field of Classification Search**
USPC D7/558, 559, 601, 610, 387, 396.1,
D7/396.6, 669, 682, 552.2; D11/143;
D26/9, 23; D23/292
CPC A47J 19/005; B65D 41/62; A47G 7/041;
A47G 7/06
See application file for complete search history.

(56) **References Cited**

U.S. PATENT DOCUMENTS

D62,404 S *	5/1923	Magee	D7/558
D249,770 S *	10/1978	Benes	D26/20
D362,784 S *	10/1995	Sperry	D11/155
D368,768 S *	4/1996	Kaiser	D23/292
D411,892 S *	7/1999	Robinson	D26/9
D413,399 S *	8/1999	Robinson	D26/9
D448,097 S *	9/2001	Bodum	D11/146
D530,150 S *	10/2006	Eddy	D7/396.6
D614,002 S	4/2010	Heap		
D689,742 S	9/2013	Goodchild		
D710,039 S *	7/2014	Schwenk	D26/9
D720,967 S *	1/2015	Melzer	D7/682
D727,668 S *	4/2015	Davis	D6/708.17
D763,035 S *	8/2016	Hume	D7/372
2007/0084108 A1 *	4/2007	Hertlein	A01G 9/124 47/47

OTHER PUBLICATIONS

Trieste pedestal | posted at www.arhaus.com, no posting date, [online], [site visited Apr. 6, 2021]. Available from Internet, <URL: https://www.arhaus.com/furniture/dining-room-furniture/dining-table-bases/trieste-pedestal-dining-table-base/> (Year: 2021).*
Hotity Cake Stand | posted at Amazon.com, posted on Apr. 10, 2019, © 1996-2021 Amazon.com, [online], [site visited Apr. 6, 2021]. Available from Internet, <URL: https://www.amazon.com/Hotity-3-Piece-Dessert-Display-Cupcake/dp/B08KQ6K8ZN/> (Year: 2019).*
Table Base | posted at www.aceray.com, no posting date [online], [site visited Apr. 6, 2021]. Available from Internet, <URL: https://aceray.com/product/872/> (Year: 2021).*

* cited by examiner

Primary Examiner — Susan E Krakower
Assistant Examiner — Andrew Kerr
(74) *Attorney, Agent, or Firm* — ScienBiziP, P.C.

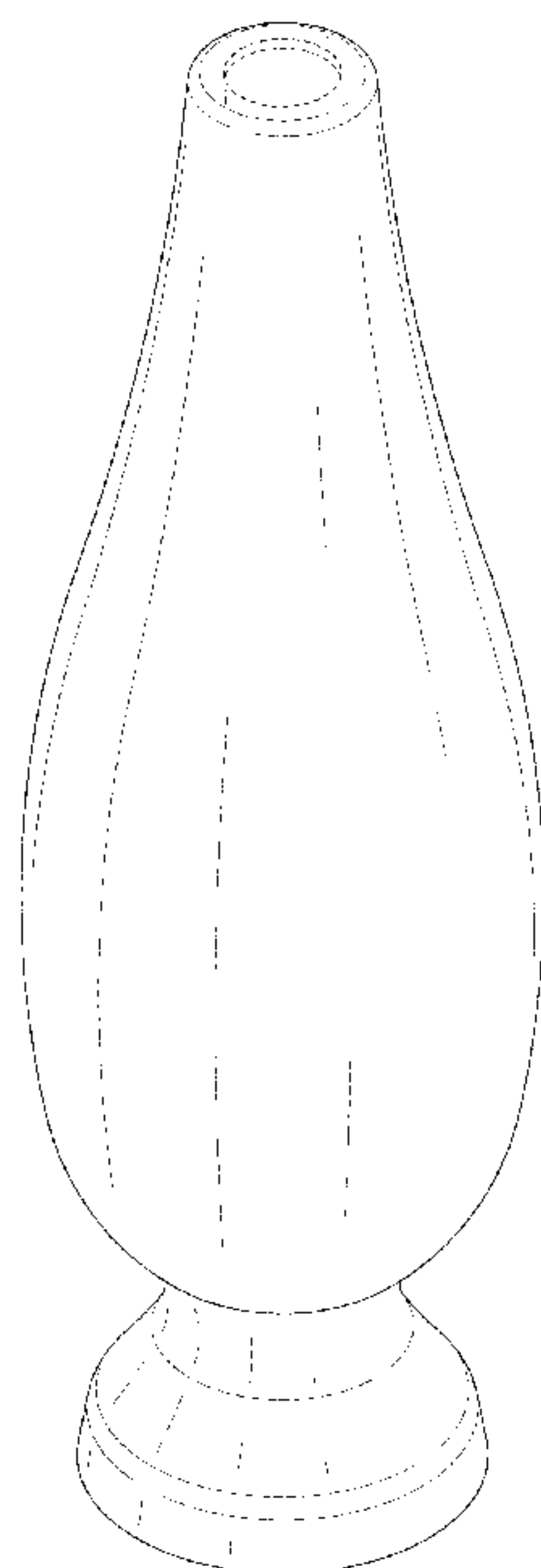
(57) **CLAIM**

The ornamental design for a cake stand pillar, as shown and described.

DESCRIPTION

FIG. 1 is a top perspective view of a cake stand pillar, showing my new design.
FIG. 2 is a bottom perspective thereof.
FIG. 3 is a front elevation view thereof.
FIG. 4 is a rear elevation view thereof.
FIG. 5 is a left side elevation thereof.
FIG. 6 is a right side elevation thereof.
FIG. 7 is a top plan view thereof; and,
FIG. 8 is a bottom plan view thereof.
The broken lines in the drawings depict portions of the cake stand pillar that form no part of the claimed design.

1 Claim, 8 Drawing Sheets



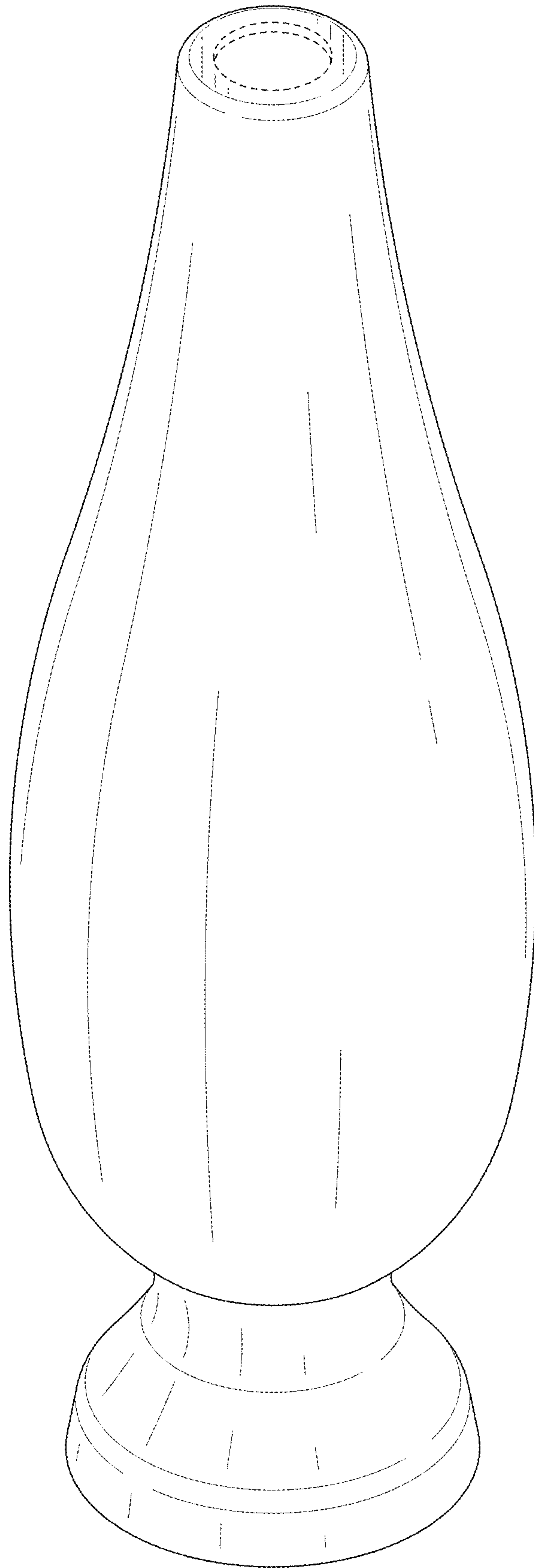


FIG. 1

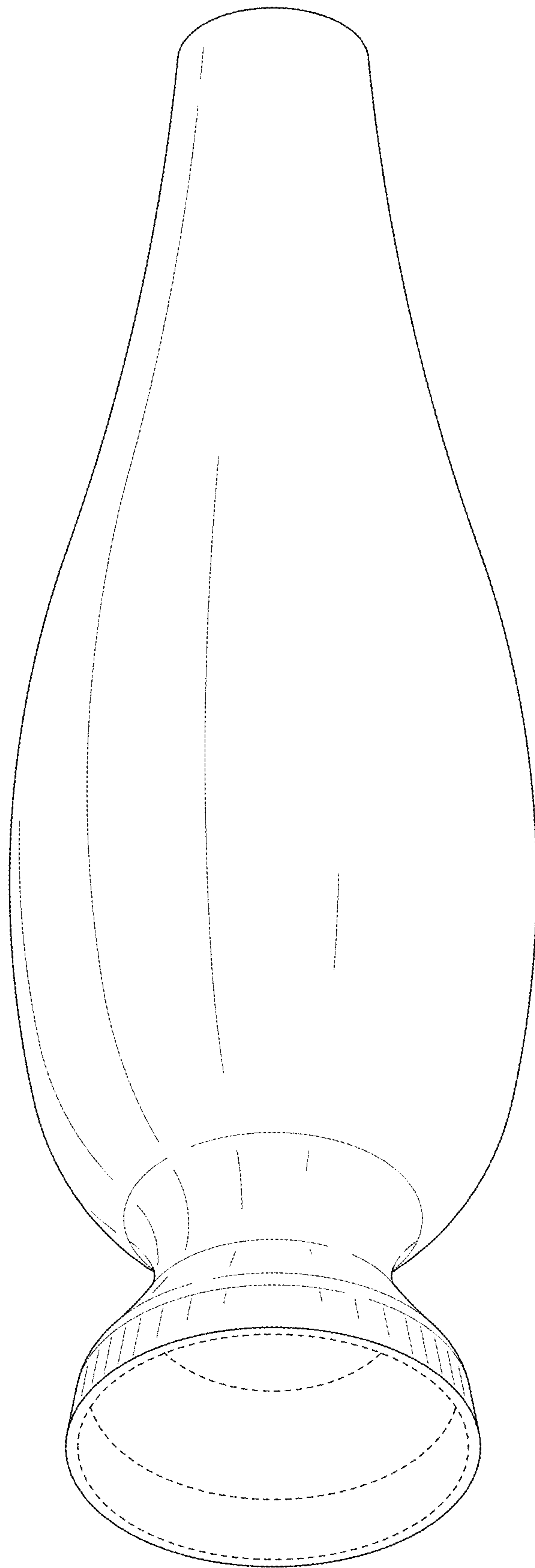


FIG. 2

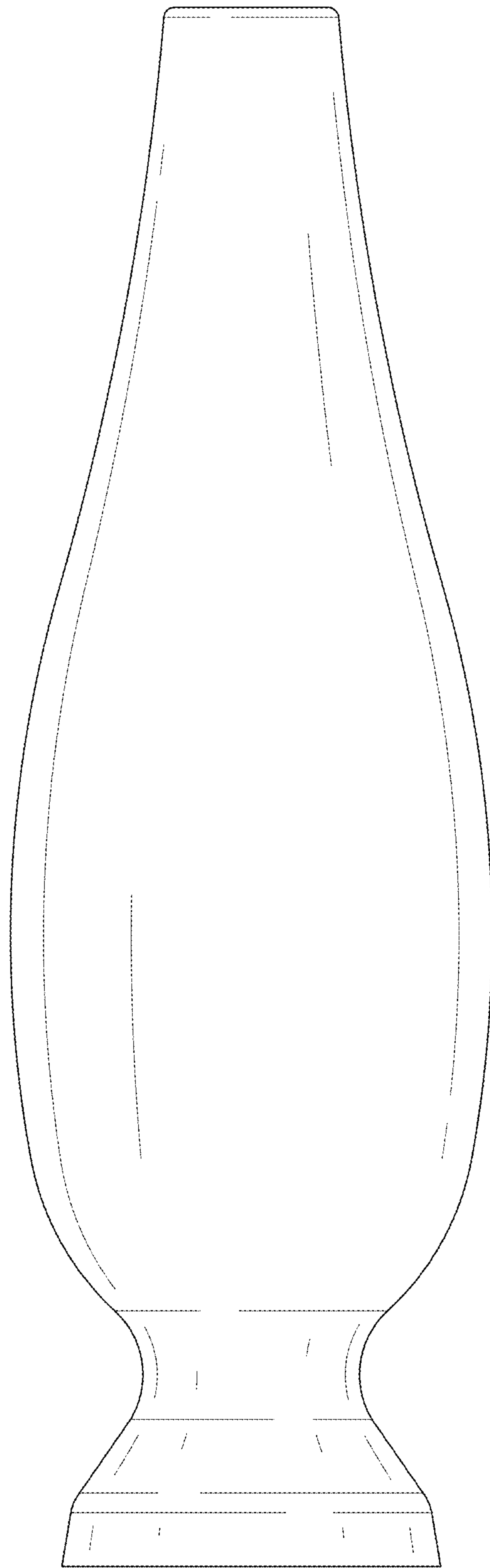


FIG. 3

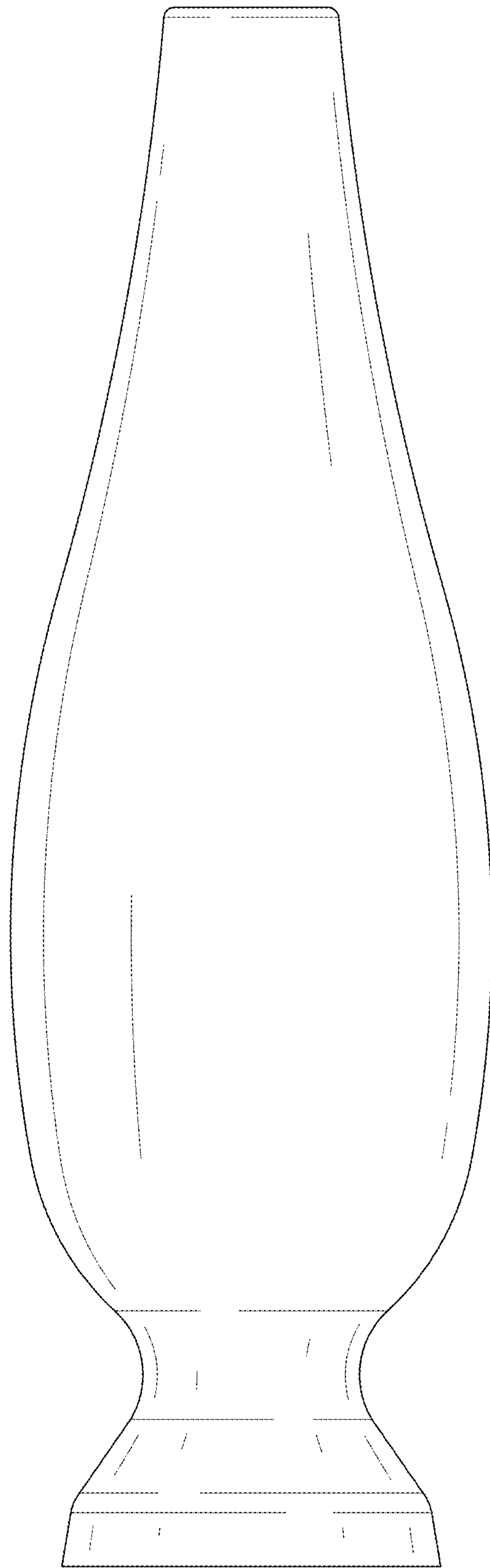


FIG. 4

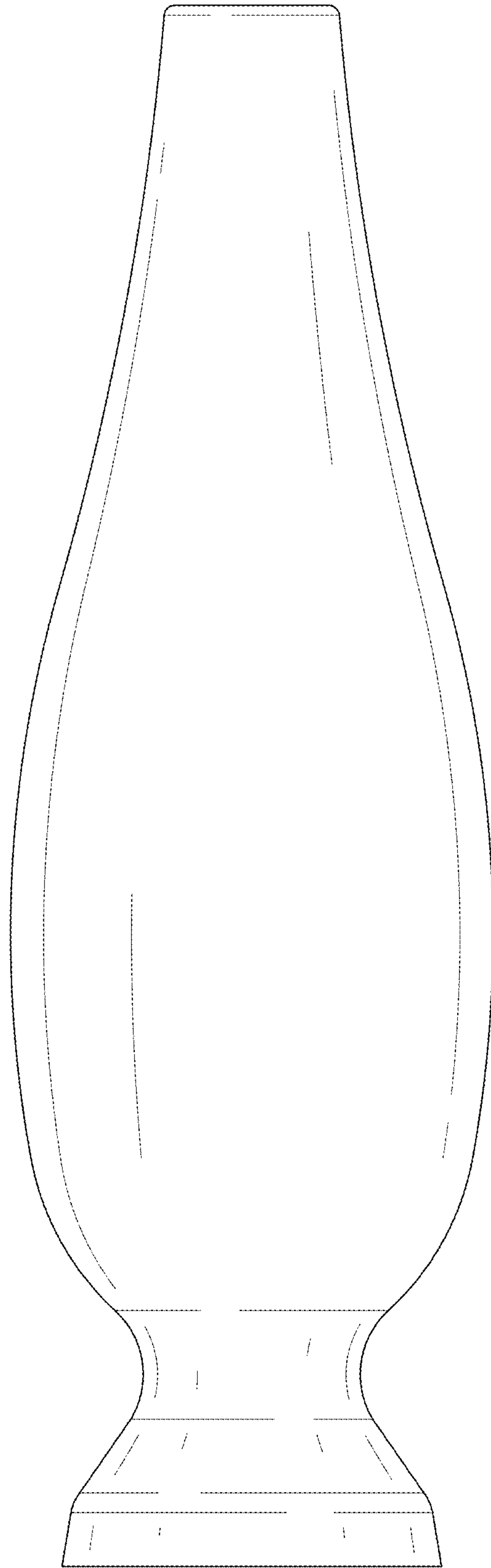


FIG. 5

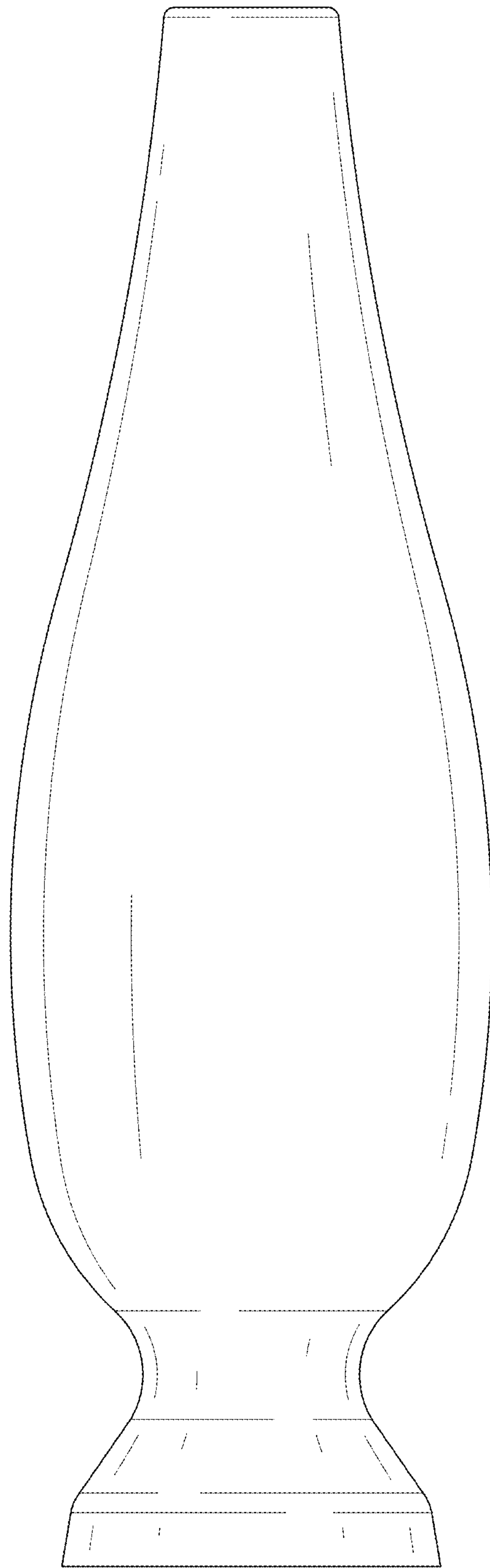


FIG. 6

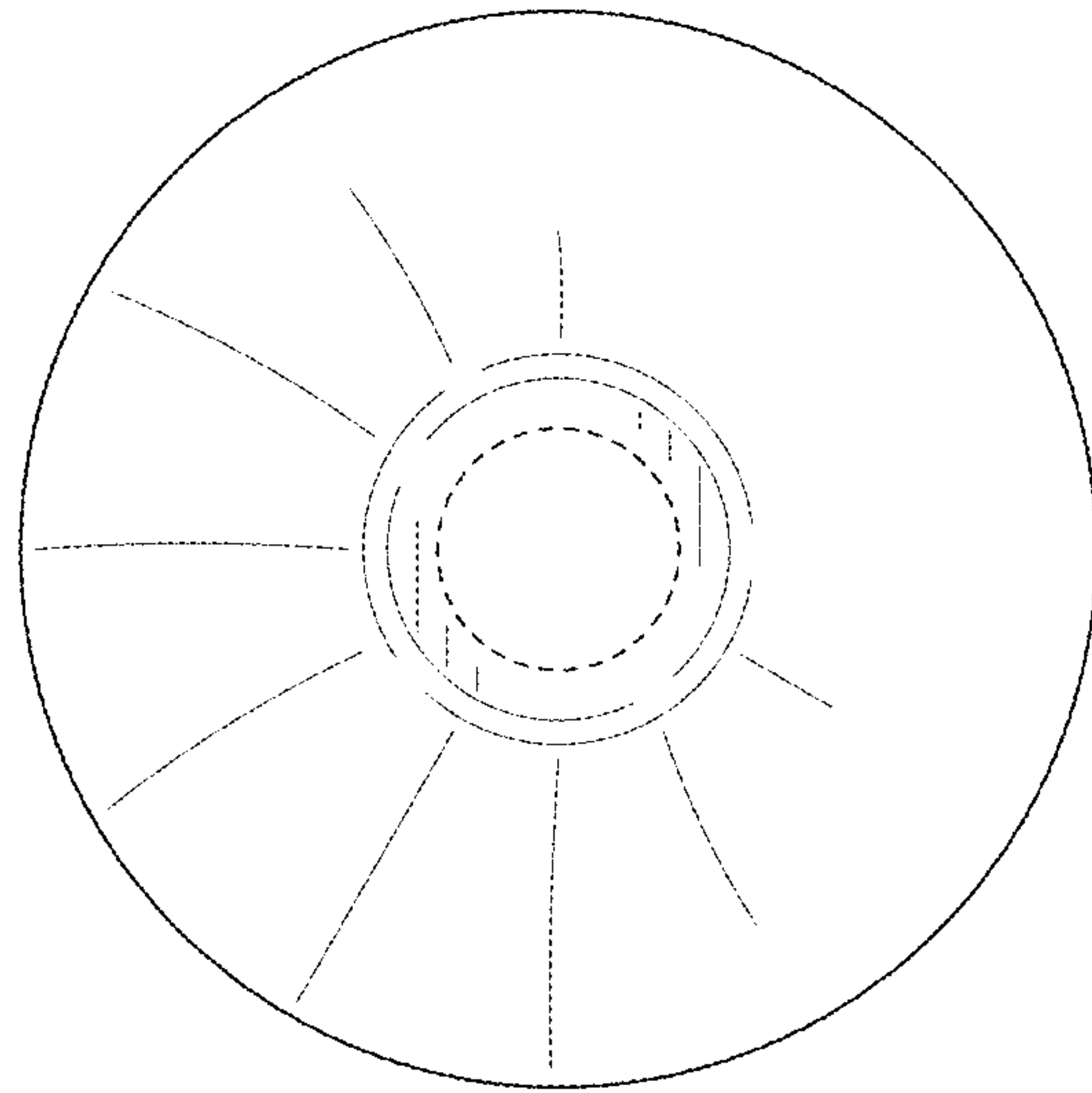


FIG. 7

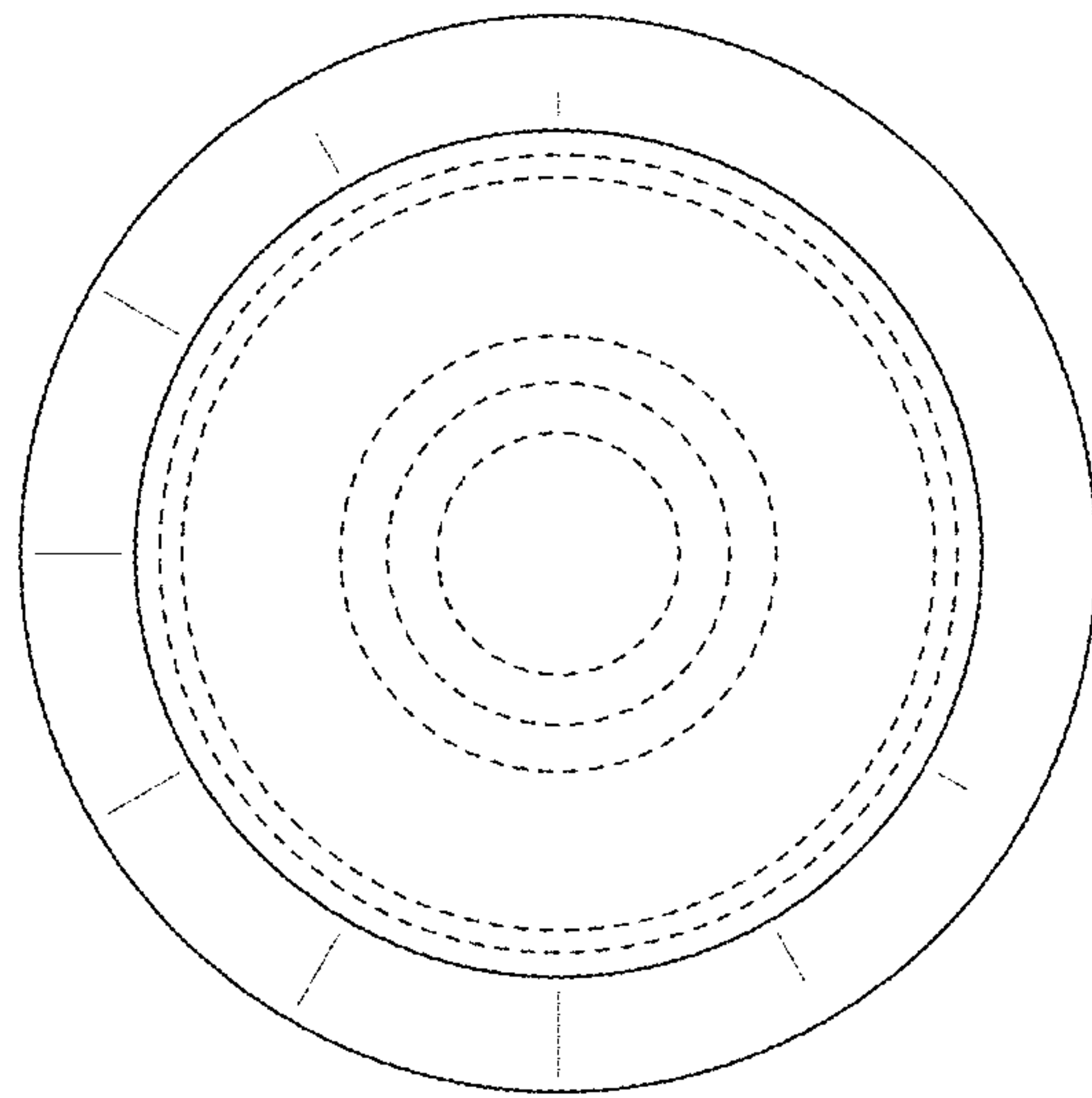


FIG. 8