



US00D923417S

(12) **United States Design Patent**
Lai

(10) **Patent No.:** **US D923,417 S**

(45) **Date of Patent:** **** Jun. 29, 2021**

(54) **MULTIPLE SHOT GLASSES AND SERVING TRAY**

(71) Applicant: **MyGift Enterprise, LLC**, Woodinville, WA (US)

(72) Inventor: **Carol Lai**, Woodinville, WA (US)

(**) Term: **15 Years**

(21) Appl. No.: **29/723,078**

(22) Filed: **Feb. 4, 2020**

(51) **LOC (13) Cl.** **07-01**

(52) **U.S. Cl.**
USPC **D7/553.5**

(58) **Field of Classification Search**
USPC D7/550.1, 552.2, 553.2, 553.5, 554.3,
D7/601-602, 397, 401.1; D9/415, 418,
D9/759-761

CPC B65D 1/22; B65D 1/243; B65D 2501/24;
B65D 2501/24006; B65D 11/04; B65D
85/30; B65D 85/305

See application file for complete search history.

(56) **References Cited**

U.S. PATENT DOCUMENTS

D252,828 S * 9/1979 Davidson D28/61
D323,447 S * 1/1992 Booz D7/705
D381,515 S * 7/1997 Haynes D24/224
D407,243 S * 3/1999 Thoesen D12/425

6,039,181 A * 3/2000 Whiteside B65D 71/125
206/427
D485,452 S * 1/2004 Boron D3/313
D551,036 S * 9/2007 Tomaszewski D7/701
D551,038 S * 9/2007 Evaimalo D7/708
D592,401 S * 5/2009 Beavers D3/304
D602,314 S * 10/2009 Stravitz D7/701
D680,353 S * 4/2013 Hawkins D6/682.4
D699,085 S * 2/2014 Reid, Jr. D7/701
D741,625 S * 10/2015 Tapper D6/672
D769,675 S * 10/2016 Chavez D7/553.5
D811,833 S * 3/2018 Thurow D7/706
2012/0168345 A1 * 7/2012 Beckerman A47G 23/08
206/559

* cited by examiner

Primary Examiner — Kelley A Donnelly

(74) *Attorney, Agent, or Firm* — Dean A. Craine, P.S.

(57) **CLAIM**

The ornamental design for the multiple shot glasses and serving tray, as shown and described.

DESCRIPTION

FIG. 1 is a front perspective view of a multiple shot glasses and serving tray, showing my new design.

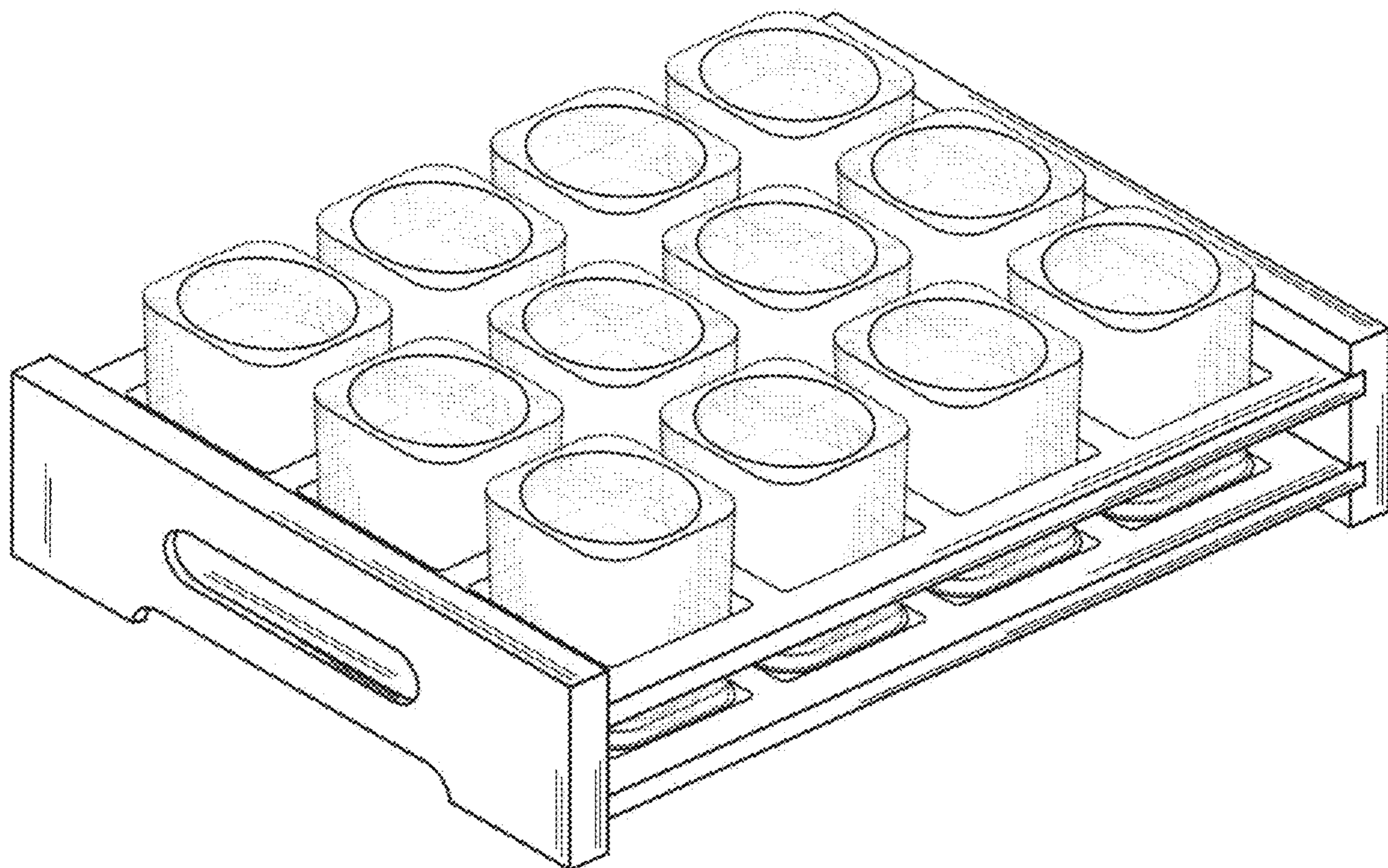
FIG. 2 is a top plan view thereof.

FIG. 3 is a bottom plan view thereof.

FIG. 4 is a front elevation view thereof, the rear elevation view being a mirror image; and,

FIG. 5 is a left side elevation view thereof, the right side elevation view being a mirror image.

1 Claim, 5 Drawing Sheets



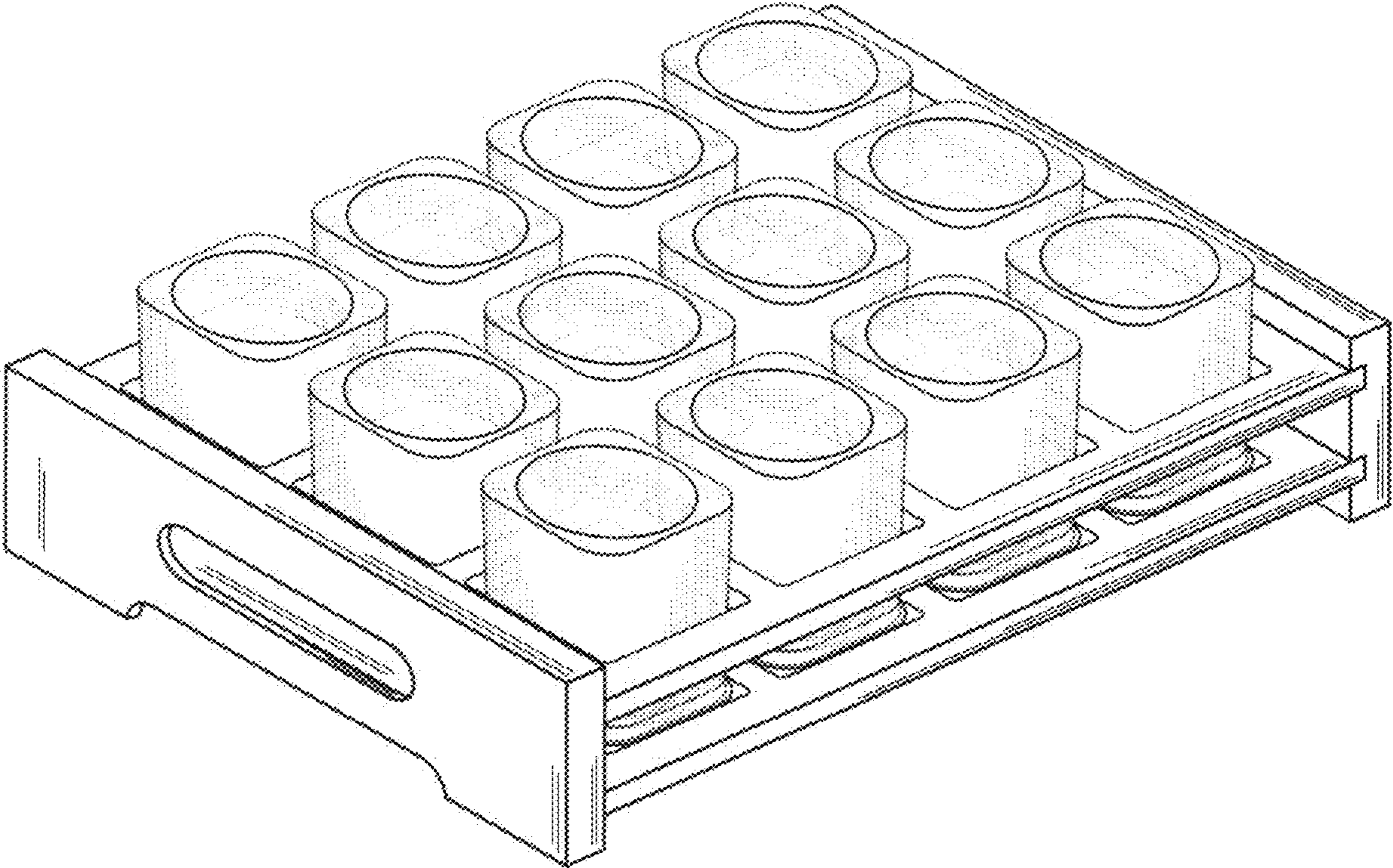


FIG. 1

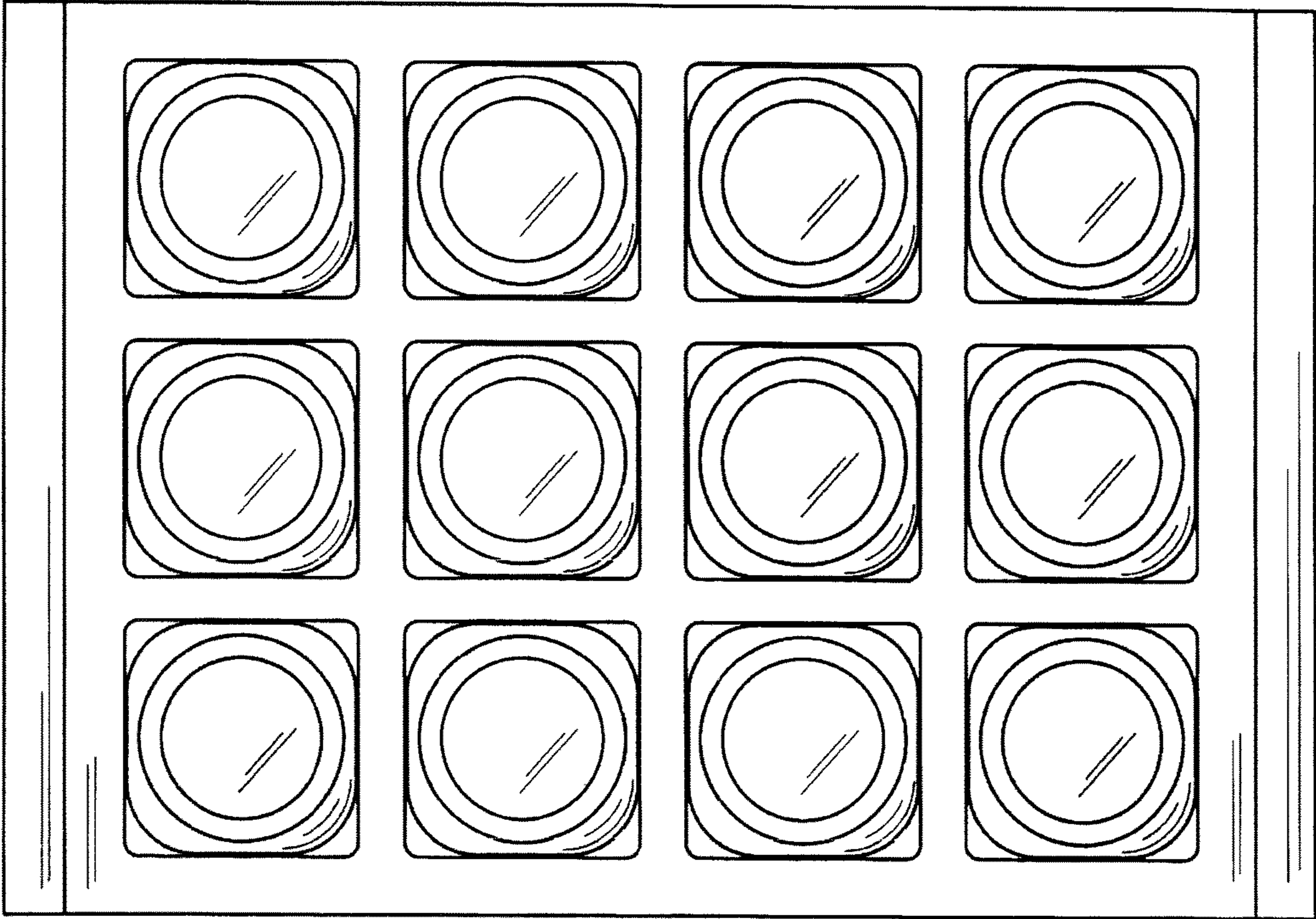


FIG. 2

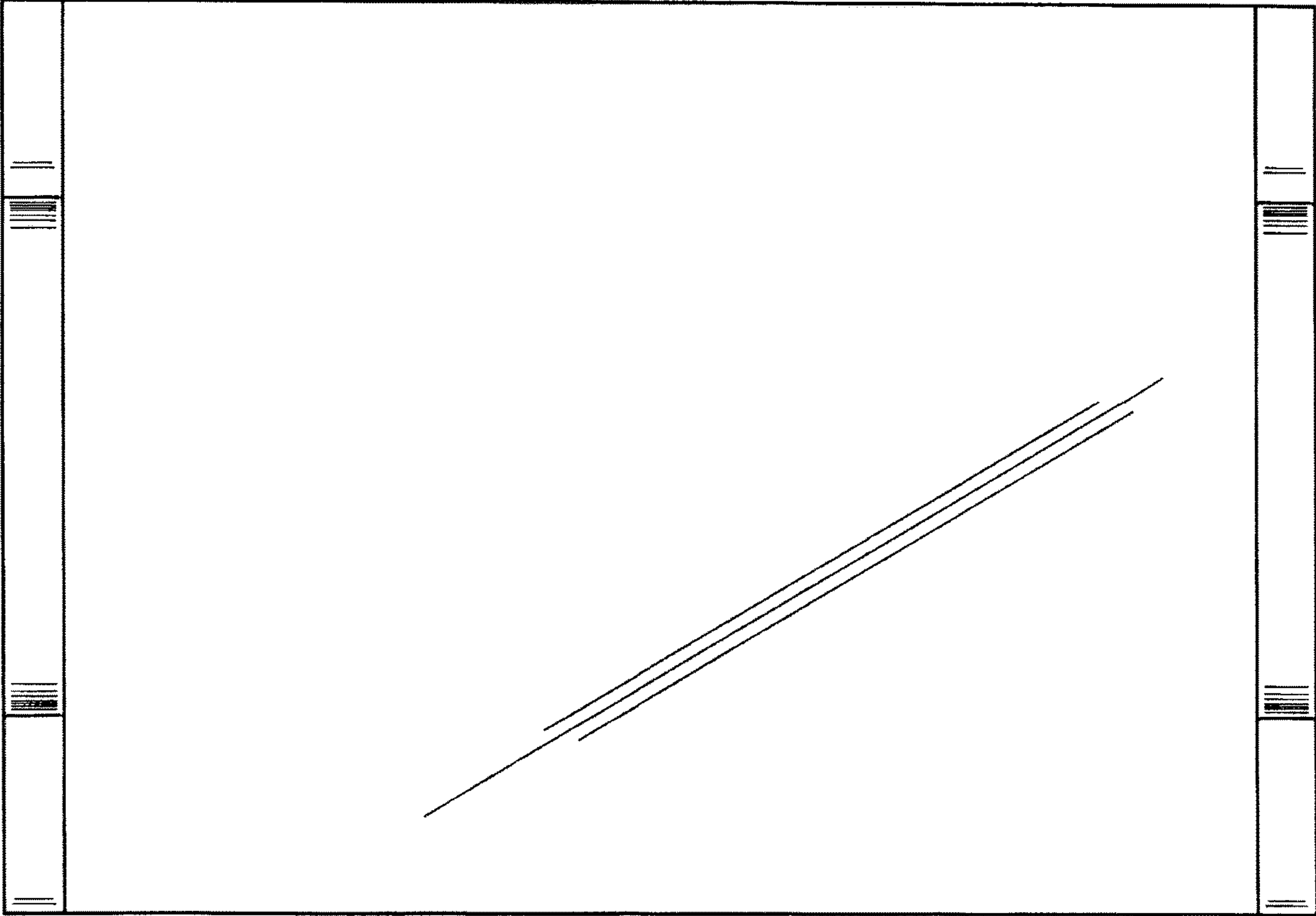


FIG. 3

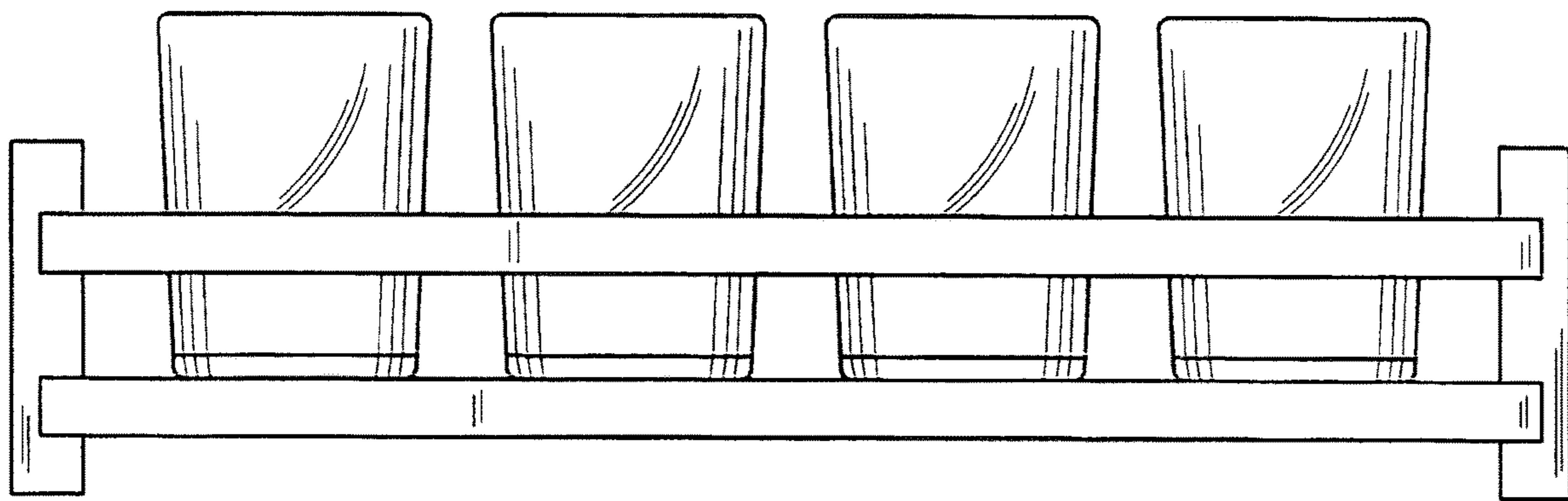


FIG. 4

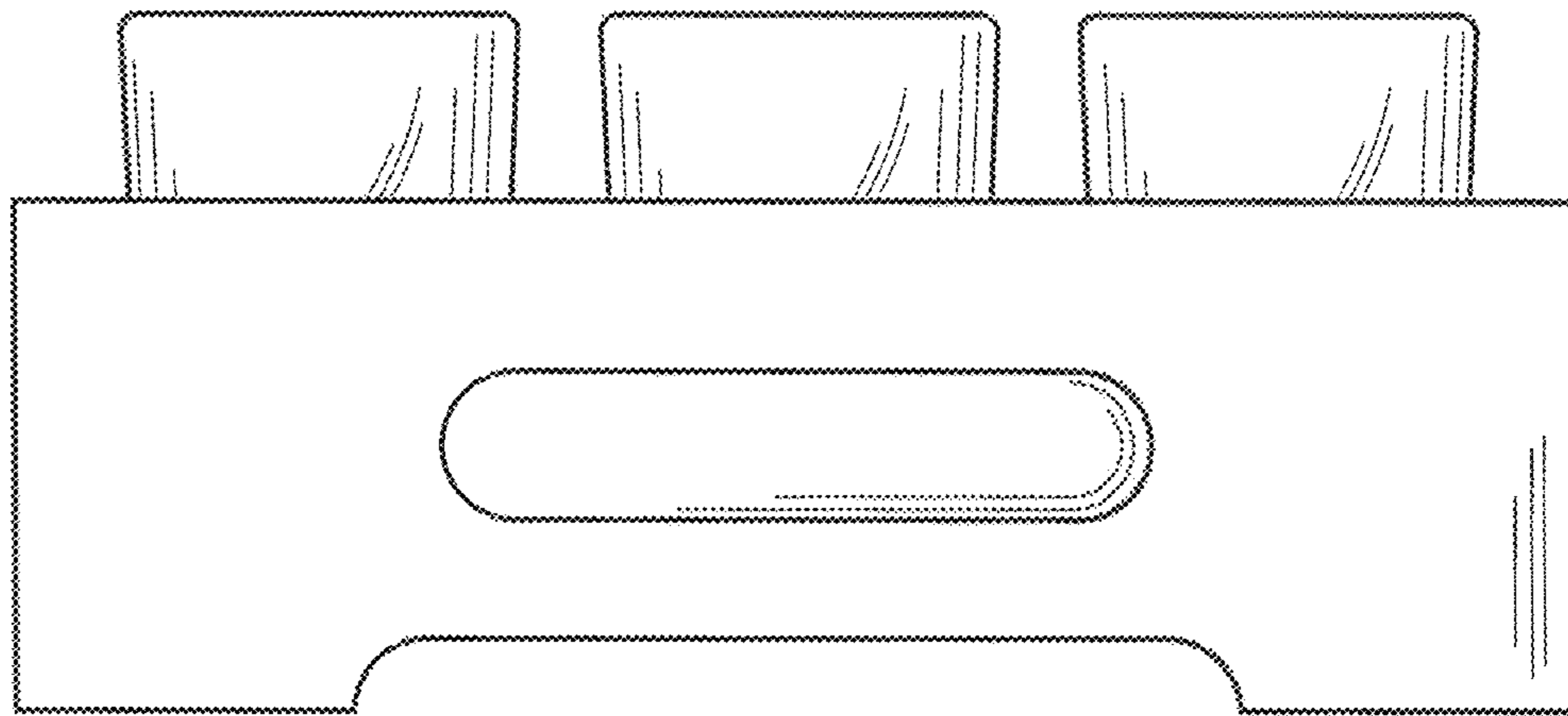


FIG. 5