



US00D923416S

(12) **United States Design Patent** (10) **Patent No.:** **US D923,416 S**  
**Luciano et al.** (45) **Date of Patent:** **\*\* \*Jun. 29, 2021**

(54) **DRINK CARRIER**

(71) Applicants: **Daniel Kelly Luciano**, Independence, OH (US); **Lawrence Patrick Luciano**, Willoughby, OH (US)

(72) Inventors: **Daniel Kelly Luciano**, Independence, OH (US); **Lawrence Patrick Luciano**, Willoughby, OH (US)

(\*) Notice: This patent is subject to a terminal disclaimer.

(\*\*) Term: **15 Years**

(21) Appl. No.: **29/683,790**

(22) Filed: **Mar. 15, 2019**

(51) **LOC (13) Cl.** ..... **07-01**

(52) **U.S. Cl.**  
USPC ..... **D7/553.4**

(58) **Field of Classification Search**

USPC ..... D7/553.2, 553.3, 553.5, 701, 364, 360, D7/543, 545, 550.1, 552.2, 554.3, 554.4, D7/552.1, 600.1, 602, 601, 683, 409, 706, D7/708, 590, 354, 359, 619.1, 401.1, 611, D7/553.6, 553.8, 553.1, 553.4; 220/564, 220/23.8, 556, 575, 914, 23.83, 23.86, 220/574, 574.1, 515; D9/455, 702, 519, D9/456, 517, 757, 756; D19/103; D3/203.3, 901, 295, 737, 203.1, 202, 254, D3/259, 304, 307, 309, 310, 311, 313, D3/315; D24/277, 299, 230; D21/303, D21/366  
CPC .... A47G 23/0641; A47G 23/06; A47G 19/00; A47F 7/02; Y10S 224/926; B65B 27/04; A47B 73/00; B65D 71/00; B65D 71/0003; B65D 71/0007; B65D 71/44; B65D 71/50; B65D 71/48; B65D 2571/00; B65D 2571/0066; B65D 65/44

See application file for complete search history.

(56) **References Cited**

U.S. PATENT DOCUMENTS

D60,025 S \* 12/1921 Hoodwin ..... D7/553.8  
1,926,481 A \* 9/1933 Fox ..... A47G 23/0641  
206/562  
D129,741 S \* 9/1941 Clark ..... D7/552.2  
2,874,835 A \* 2/1959 Poupitch ..... B65D 71/50  
206/150  
2,989,177 A \* 6/1961 Swick ..... B65D 71/504  
206/150

(Continued)

FOREIGN PATENT DOCUMENTS

AT 6702-0001 \* 5/1993  
AT 6703-0001 \* 5/1993

(Continued)

OTHER PUBLICATIONS

Hmi\_d, "Freedom at the thirstycrow," Aug. 22, 2014, Instagram.com, www.instagram.com/p/sBla4UureZ (Year: 2014).\*

(Continued)

*Primary Examiner* — Shannon W Morgan  
*Assistant Examiner* — Arva P Adams  
(74) *Attorney, Agent, or Firm* — McCarthy, Lebit, Crystal & Liffman, Co., L.P.A.

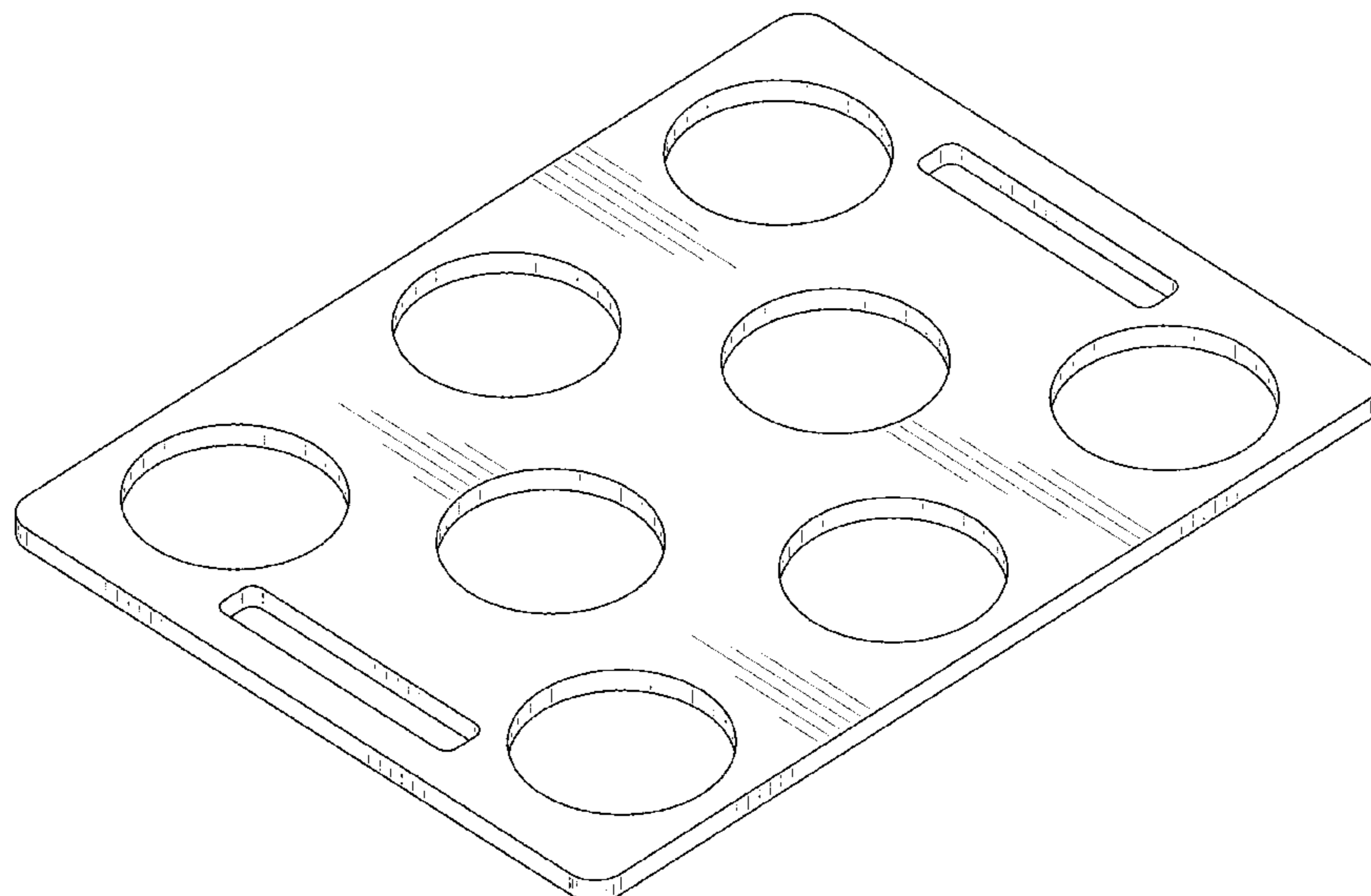
(57) **CLAIM**

The ornamental design for a drink carrier, as shown and described.

**DESCRIPTION**

FIG. 1 is a front perspective view of a drink carrier; FIG. 2 is a top plan view of the drink carrier; FIG. 3 is a bottom plan view of the drink carrier; FIG. 4 is a right side plan view of the drink carrier; FIG. 5 is a left side plan view of the drink carrier; FIG. 6 is a front side plan view of the drink carrier; and, FIG. 7 is a back side plan view of the drink carrier.

**1 Claim, 4 Drawing Sheets**



(56)

References Cited

U.S. PATENT DOCUMENTS

3,137,109 A \* 6/1964 Rapata ..... B65D 71/50  
53/398  
3,214,016 A \* 10/1965 Stephan ..... B65D 71/50  
206/161  
3,285,410 A \* 11/1966 Brunsing ..... B65D 71/50  
206/199  
3,443,685 A \* 5/1969 Wanderer ..... B65D 71/50  
206/150  
D224,435 S \* 7/1972 Stravitz ..... B65D 71/50  
206/161  
D225,887 S \* 1/1973 Dolby ..... B65D 71/50  
206/199  
D247,533 S \* 3/1978 Noyes ..... B65D 71/50  
206/150  
4,453,630 A \* 6/1984 Helms ..... B65D 71/50  
206/158  
D310,481 S \* 9/1990 Chanel ..... D9/418  
D311,115 S \* 10/1990 Abraham ..... B29C 66/54  
D7/708  
D351,093 S \* 10/1994 Calcaterra ..... B65D 71/50  
206/158  
D353,977 S \* 1/1995 Muschett ..... D7/509  
5,513,888 A \* 5/1996 Kirkland ..... B65D 71/50  
294/159  
5,590,776 A \* 1/1997 Galbierz ..... B65D 71/44  
206/427  
5,718,330 A \* 2/1998 Auffret ..... B65D 71/50  
206/141  
5,845,776 A \* 12/1998 Galbierz ..... B65D 71/48  
206/427  
D414,991 S \* 10/1999 Brown ..... B65D 71/44  
206/427  
D487,673 S \* 3/2004 Mishan ..... B65D 71/50  
206/141  
D515,941 S \* 2/2006 Hamblin ..... D24/230  
D515,942 S \* 2/2006 Hamblin ..... D24/230  
D515,943 S \* 2/2006 Hamblin ..... D24/230  
D602,314 S \* 10/2009 Stravitz ..... B65D 71/50  
206/199  
D613,995 S \* 4/2010 Mishan ..... B65D 71/48  
206/193  
D705,618 S \* 5/2014 Reid, Jr. .... B65D 71/44  
206/427  
D774,369 S \* 12/2016 Harris ..... B65D 71/50  
294/159

D786,029 S \* 5/2017 Pannell ..... B65D 71/50  
206/158  
D793,799 S \* 8/2017 Dunne ..... B65D 71/50  
206/150  
D796,908 S \* 9/2017 Dennis ..... B65D 71/50  
206/161  
D807,129 S \* 1/2018 Martinez ..... B65D 71/504  
206/150  
D831,444 S \* 10/2018 Gu ..... B65D 71/50  
D24/230  
2008/0264822 A1\* 10/2008 Faiola ..... B65D 71/50  
206/150  
2009/0152222 A1\* 6/2009 Seldon ..... B65D 71/50  
53/398  
2011/0005962 A1\* 1/2011 Hirz ..... B65D 71/48  
206/427  
2013/0284616 A1\* 10/2013 Anderson ..... B65D 71/48  
206/193

FOREIGN PATENT DOCUMENTS

AU	335022	*	2/2011
EM	004541159-0001	*	12/2017
GB	301534	*	12/2003
GB	6065518	*	7/2019
KR	300761210.0000	*	9/2014
KR	300915483.0000	*	7/2017

OTHER PUBLICATIONS

Bluedrop, "Bluedrop Silicone Hamburger Bread Forms Perforated Bakery Molds Non STick Baking Sheets," Mar. 19, 2017, Amazon.com, [www.amazon.com/dp/B06XQWJ5RP](http://www.amazon.com/dp/B06XQWJ5RP) (Year: 2017).\*

Gothenburgrestaurant, "Can't decide? Get a beer tasting tray at Gothenburg!" Jan. 24, 2017, Instagram.com, [www.instagram.com/p/BPrn1NuhmU5](http://www.instagram.com/p/BPrn1NuhmU5) (Year: 2017).\*

Focus Plastics, "Vending Plastic Cup Carry Tray Caddy," Jul. 18, 2018, Amazon.co.uk, [www.amazon.co.uk/dp/B07FPX4HNS](http://www.amazon.co.uk/dp/B07FPX4HNS) (Year: 2018).\*

Drinks Buddy, No title: Six Holes, Oct. 12, 2018, Facebook.com, [www.facebook.com/DrinksBuddy/photos/a.254685945232208/254685908565545](http://www.facebook.com/DrinksBuddy/photos/a.254685945232208/254685908565545) (Year: 2018).\*

Drinks Buddy, No title: Eight Holes, Apr. 13, 2019, Facebook.com, [www.facebook.com/DrinksBuddy/photos/pcb.321628208537981/321628161871319](http://www.facebook.com/DrinksBuddy/photos/pcb.321628208537981/321628161871319) (Year: 2019).\*

Emmajanementeath, "Beer tasting tray," Oct. 21, 2019, Instagram.com, [www.instagram.com/p/RCr1L1wAg2](http://www.instagram.com/p/RCr1L1wAg2) (Year: 2019).\*

\* cited by examiner

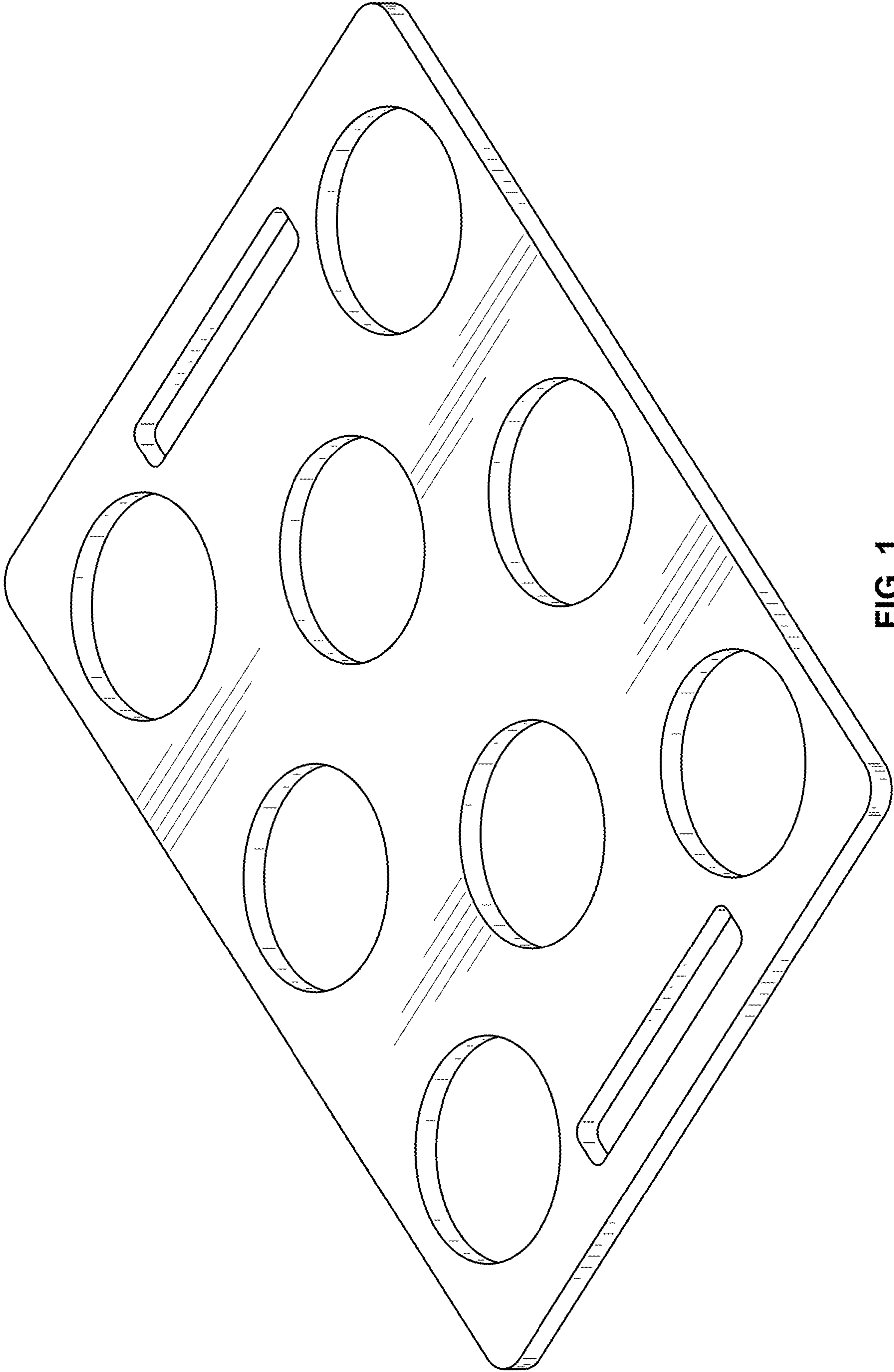


FIG. 1

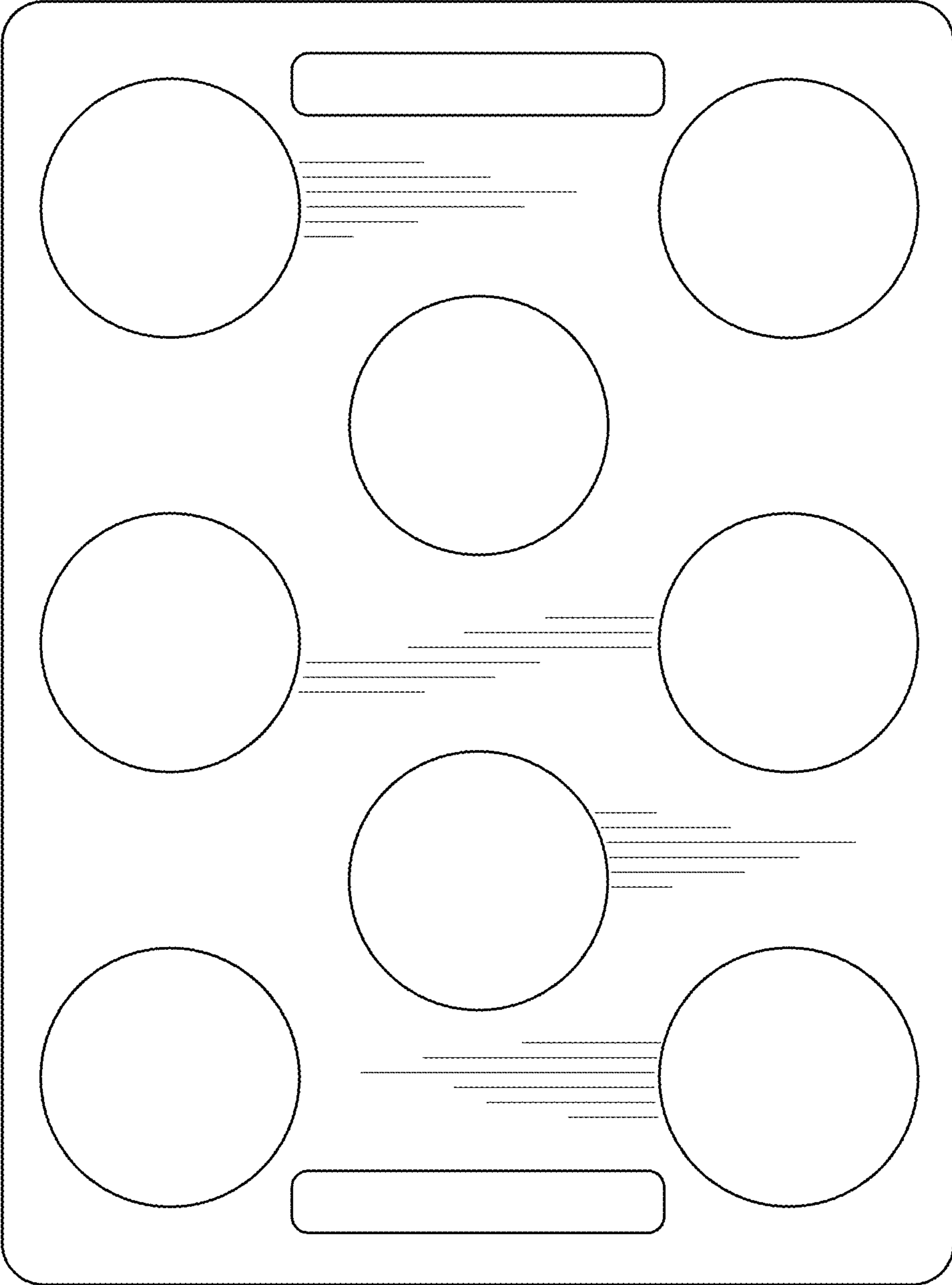


FIG. 2

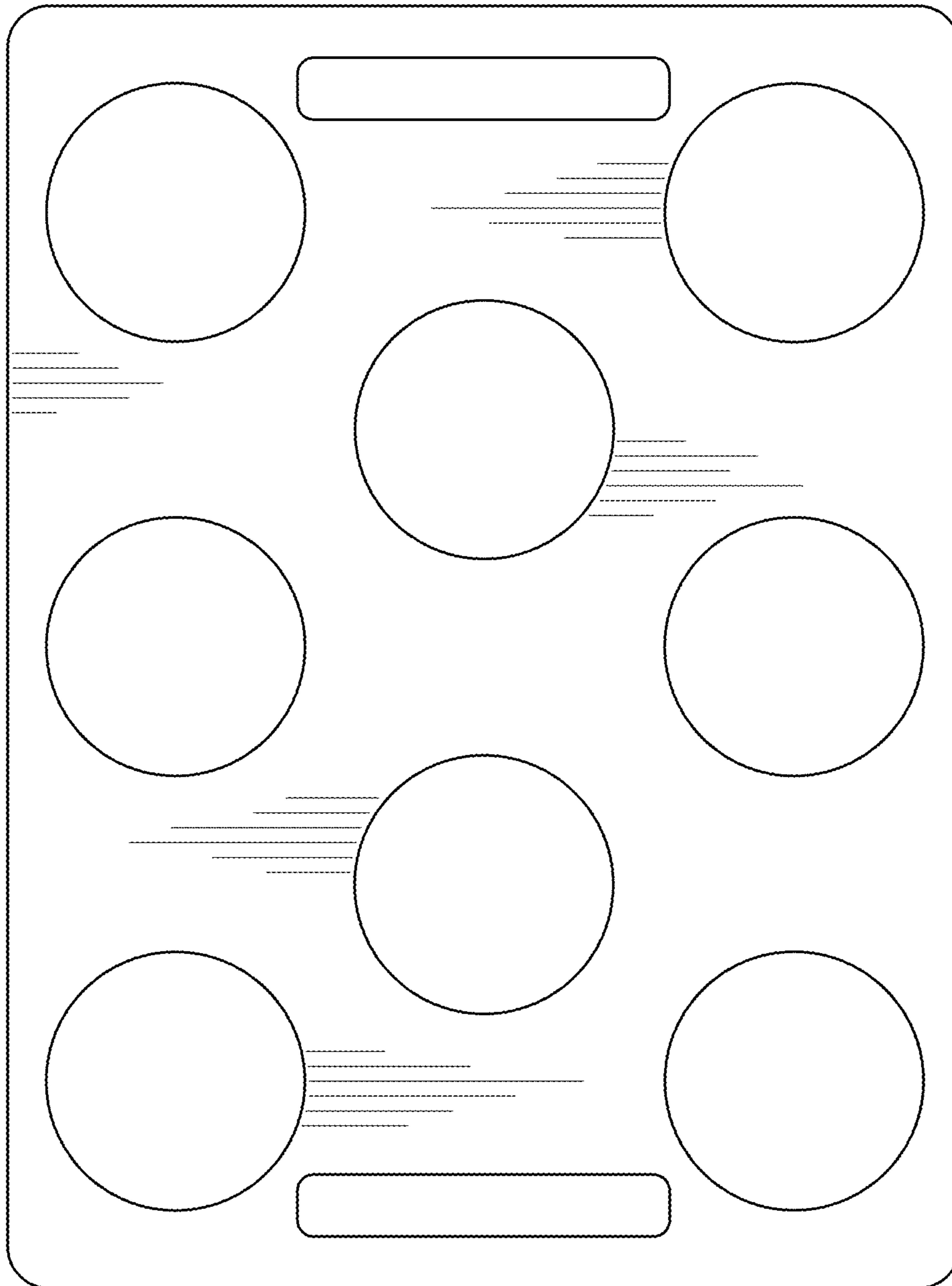


FIG. 3



**FIG. 4**



**FIG. 5**



**FIG. 6**



**FIG. 7**