



US00D923414S

(12) **United States Design Patent** (10) **Patent No.:** **US D923,414 S**
Luciano et al. (45) **Date of Patent:** **** *Jun. 29, 2021**

(54) **DRINK CARRIER** D129,741 S * 9/1941 Clark D7/552.2
2,989,177 A * 6/1961 Swick B65D 71/504
206/150
(71) Applicants: **Daniel Kelly Luciano**, Independence, OH (US); **Lawrence Patrick Luciano**, Willoughby, OH (US) D224,435 S * 7/1972 Stravitz D7/701
D225,887 S * 1/1973 Dolby D7/546
D247,533 S * 3/1978 Noyes D6/514
D310,481 S * 9/1990 Chanel D9/418
(72) Inventors: **Daniel Kelly Luciano**, Independence, OH (US); **Lawrence Patrick Luciano**, Willoughby, OH (US) (Continued)

(*) Notice: This patent is subject to a terminal disclaimer.
(**) Term: **15 Years**

FOREIGN PATENT DOCUMENTS
AT 6702-0001 * 5/1993
AT 6703-0001 * 5/1993
(Continued)

(21) Appl. No.: **29/683,770**
(22) Filed: **Mar. 15, 2019**
(51) **LOC (13) Cl.** **07-01**
(52) **U.S. Cl.**
USPC **D7/553.4**
(58) **Field of Classification Search**
USPC D7/553.2, 553.3, 553.5, 701, 364, 360, D7/543, 545, 550.1, 552.2, 554.3, 554.4, D7/552.1, 600.1, 602, 601, 683, 409, 706, D7/708, 590, 354, 359, 619.1, 401.1, 611, D7/553.1, 553.4, 553.6, 553.8; 220/564, 220/23.8, 556, 575, 914, 23.83, 23.86, 220/574, 574.1, 515; D9/455, 702, 519, D9/456, 517, 757, 756; D19/103; D3/203.3, 901, 295, 737; D21/303, 366; D24/227, 229, 230
CPC A47G 23/0641; A47G 23/06; A47G 19/00; A47F 7/02; Y10S 224/926; B65B 27/04; A47B 73/00; B65D 71/00; B65D 71/0003; B65D 71/0007; B65D 71/44; B65D 71/50; B65D 71/48; B65D 2571/00; B65D 2571/0066; B65D 65/44
See application file for complete search history.

OTHER PUBLICATIONS
Hmi_d, "Freedom at the thirstycrow," Aug. 22, 2014, Instagram.com, www.instagram.com/p/sBla4UureZ (Year: 2014).*
(Continued)

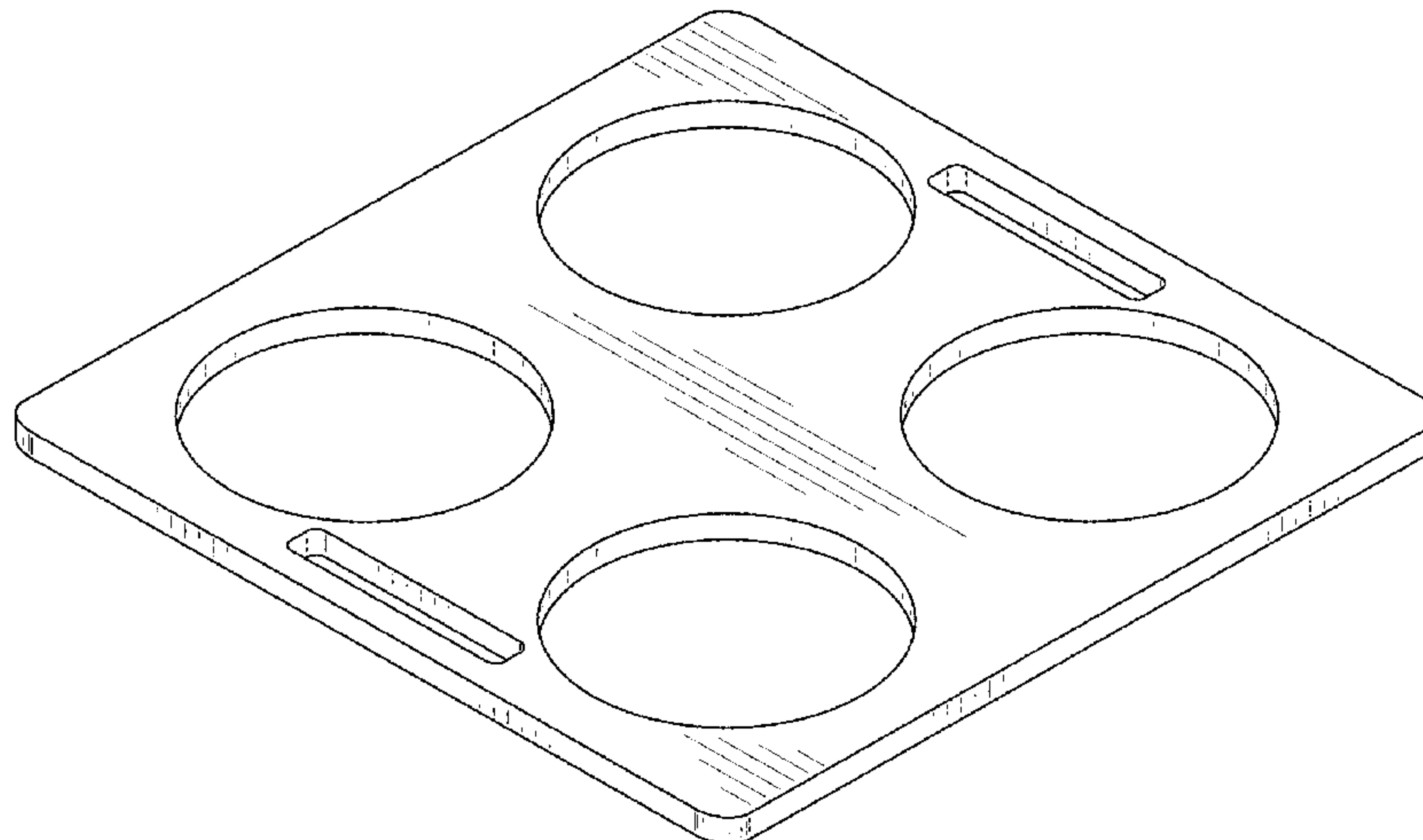
Primary Examiner — Shannon W Morgan
Assistant Examiner — Arva P Adams
(74) Attorney, Agent, or Firm — McCarthy, Lebit, Crystal & Liffman Co., L.P.A

(57) **CLAIM**
The ornamental design for a drink carrier, as shown and described.

DESCRIPTION
FIG. 1 is a front perspective view of a drink carrier; FIG. 2 is a top plan view of the drink carrier; FIG. 3 is a bottom plan view of the drink carrier; FIG. 4 is a right side plan view of the drink carrier; FIG. 5 is a left side plan view of the drink carrier; FIG. 6 is a front side plan view of the drink carrier; and, FIG. 7 is a back side plan view of the drink carrier.

(56) **References Cited**
U.S. PATENT DOCUMENTS
D60,025 S * 12/1921 Hoodwin D7/553.8
1,926,481 A * 9/1933 Fox A47G 23/0641
206/562

1 Claim, 4 Drawing Sheets



(56)

References Cited

U.S. PATENT DOCUMENTS

D311,115 S * 10/1990 Abraham B29C 66/54
D7/708
D351,093 S * 10/1994 Calcaterra A47G 23/0641
D7/708
D353,977 S * 1/1995 Muschett D7/509
D414,991 S * 10/1999 Brown D7/701
D487,673 S * 3/2004 Mishan A47G 23/0641
D7/553.4
D602,314 S * 10/2009 Stravitz D7/701
D613,995 S * 4/2010 Mishan D7/409
D705,618 S * 5/2014 Reid, Jr. D7/701
D774,369 S * 12/2016 Harris D21J 7/00
D7/708
D786,029 S * 5/2017 Pannell F16B 12/26
D7/708
D793,799 S * 8/2017 Dunne D7/357
D796,908 S * 9/2017 Dennis D7/553.2
D807,129 S * 1/2018 Martinez D7/701
D831,444 S * 10/2018 Gu D7/701
D854,424 S * 7/2019 Lauria D21J 7/00
D9/752
D865,451 S * 11/2019 Thompson D7/551.1
2008/0264822 A1 * 10/2008 Faiola A47G 23/0641
206/561
2009/0152222 A1 * 6/2009 Seldon F16B 12/26
211/74
2011/0005962 A1 * 1/2011 Hirz B29C 66/54
206/557

FOREIGN PATENT DOCUMENTS

AU 335022 * 2/2011
EM 004541159-0001 * 12/2017
GB 301534 * 12/2003
GB 6065518 * 7/2019
KR 300761210.0000 * 9/2014
KR 300915483.0000 * 7/2017

OTHER PUBLICATIONS

Bluedrop, "Bluedrop Silicone Hamburger Bread Forms Perforated Bakery Molds Non STick Baking Sheets," Mar. 19, 2017, Amazon.com, www.amazon.com/dp/B06XQWJ5RP (Year: 2017).
Gothenburgrestaurant, "Can't decide? Get a beer tasting tray at Gothenburg!" Jan. 24, 2017, Instagram.com, www.instagram.com/p/BPrn1NuhmU5 (Year: 2017).
Focus Plastics, "Vending Plastic Cup Carry Tray Caddy," Jul. 18, 2018, Amazon.co.uk, www.amazon.co.uk/dp/B07FPX4HNS (Year: 2018).
Gripenfreybeerventure, "We've survived the weekend!" Jan. 29, 2018, Instagram.com, www.instagram.com/p/BeilQwVg7BZ (Year: 2018).
Drinks Buddy, No title: Six Holes, Oct. 12, 2018, Facebook.com, www.facebook.com/DrinksBuddy/photos/a.254685945232208/254685908565545 (Year: 2018).
Drinks Buddy, No title: Four Holes, Oct. 16, 2018, Facebook.com, www.facebook.com/DrinksBuddy/photos/a.254884038545732/255677805133022 (Year: 2018).
Emmajanementeath, "Beer tasting tray," Oct. 21, 2019, Instagram.com, www.instagram.com/p/RCr1L1wAg2 (Year: 2019).

* cited by examiner

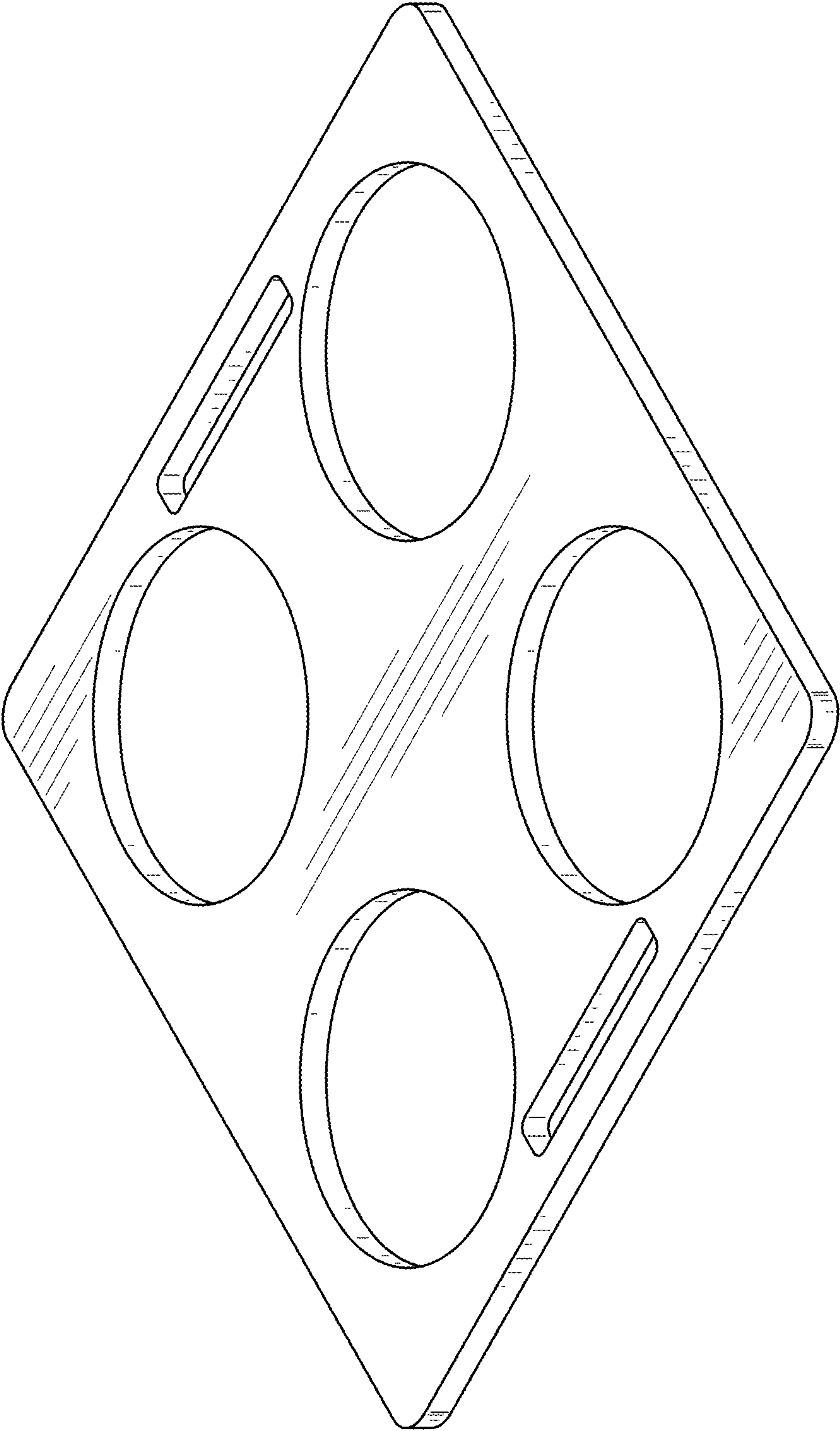


FIG. 1

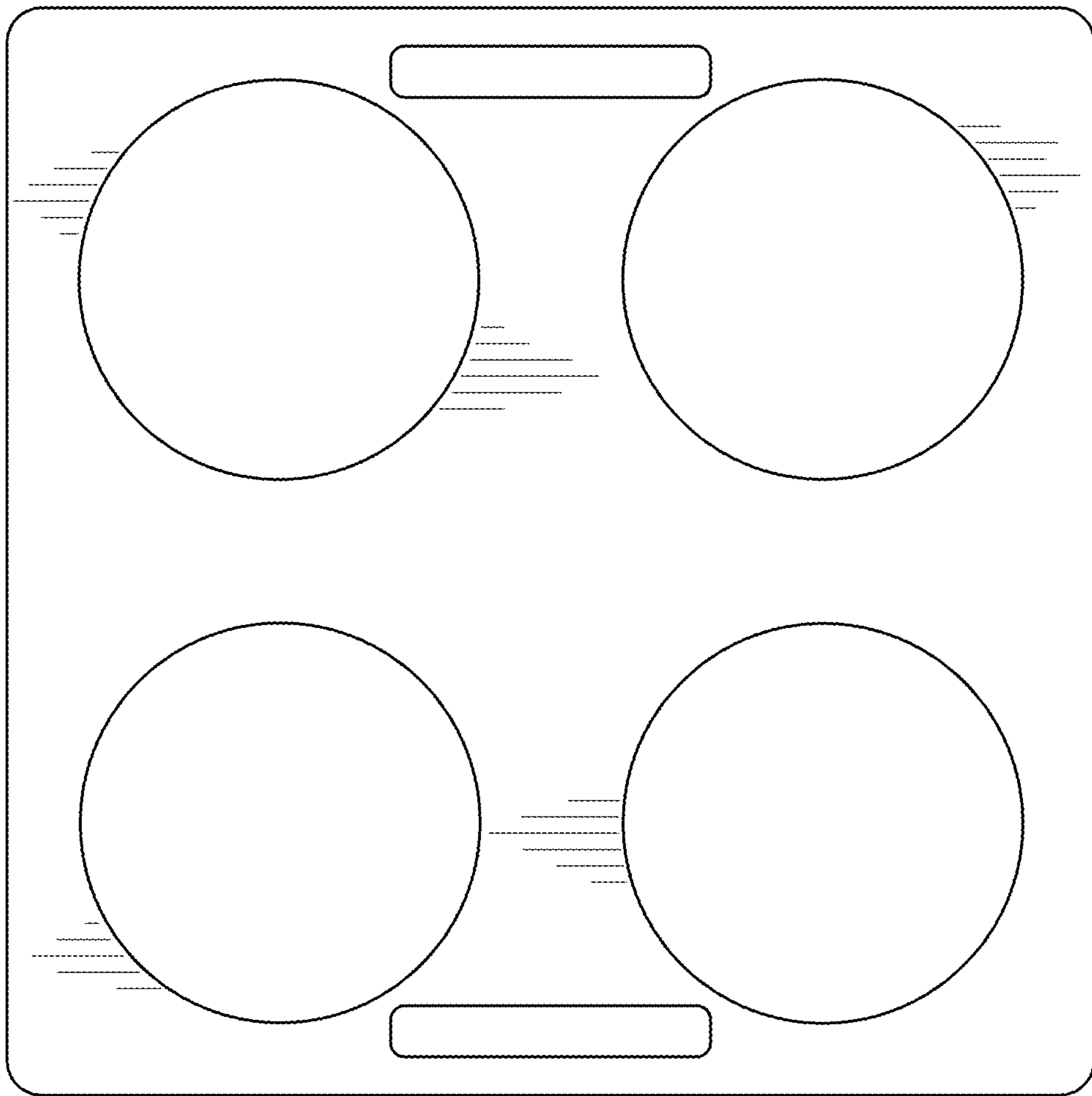


FIG. 2

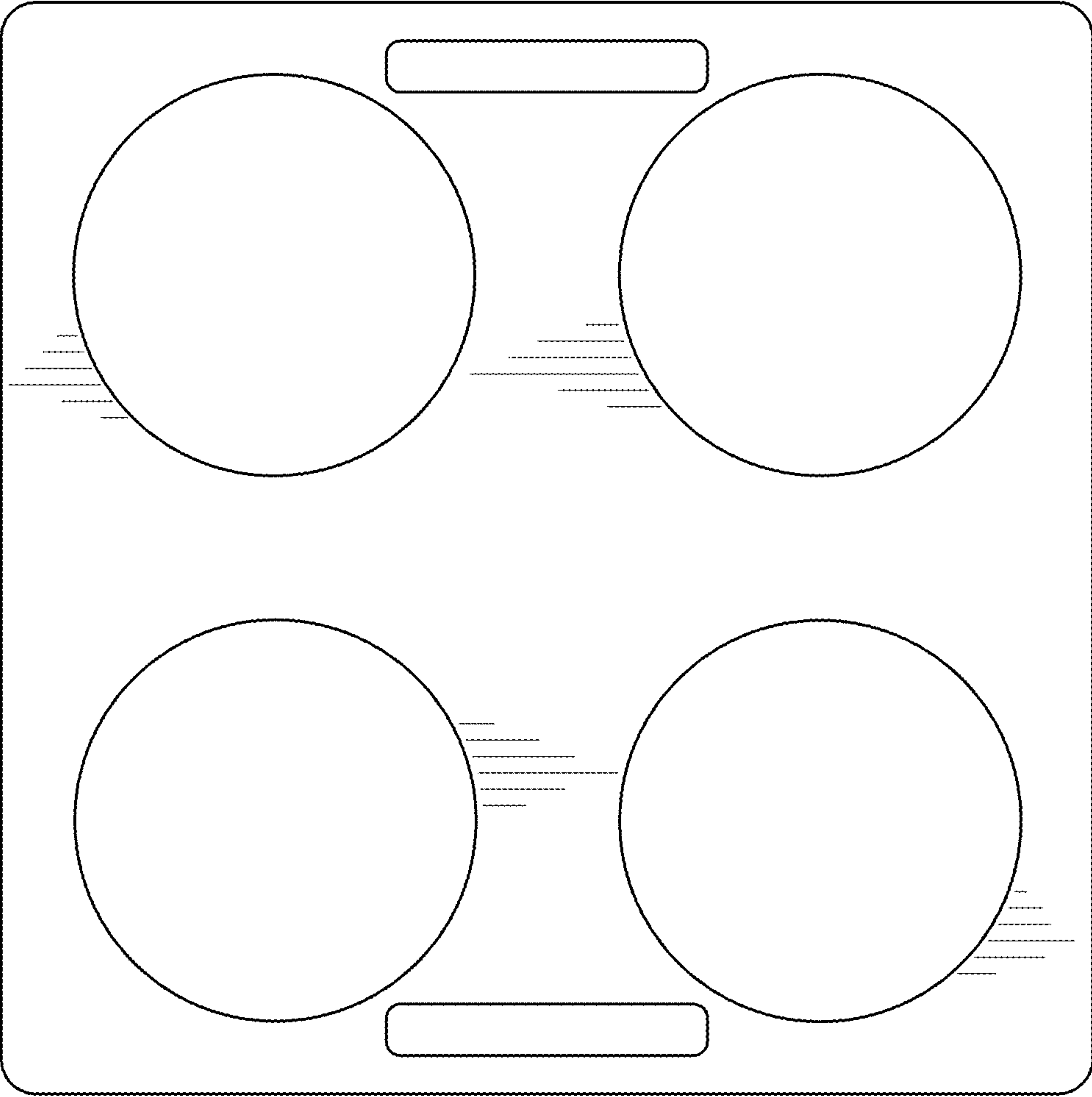


FIG. 3



FIG. 4



FIG. 5



FIG. 6



FIG. 7