



US00D923413S

(12) **United States Design Patent** (10) **Patent No.:** **US D923,413 S**
Zemel et al. (45) **Date of Patent:** **** Jun. 29, 2021**

(54) **PATTERN FOR CONTAINERS**
(71) Applicant: **Mr. Bar-B-Q Products LLC**, Melville, NY (US)
(72) Inventors: **Marc Zemel**, Melville, NY (US); **Joanne Rudis**, Melville, NY (US)
(73) Assignee: **Mr. Bar-B-Q Products LLC**, Melville, NY (US)
(**) Term: **15 Years**
(21) Appl. No.: **29/659,650**
(22) Filed: **Aug. 10, 2018**
(51) **LOC (13) Cl.** **07-01**
(52) **U.S. Cl.**
USPC **D7/550.1**
(58) **Field of Classification Search**
USPC D7/550.1, 554.3, 554.4, 601-602, 354, D7/359; D5/4, 7; D3/305, 314
CPC . B65D 5/00; B65D 1/00; B65D 25/00; B65D 1/34; A47G 19/30; A47G 19/02; A47G 23/0608; A47G 23/0633; A47G 23/06; B25H 3/06
See application file for complete search history.

(56) **References Cited**
U.S. PATENT DOCUMENTS
D239,691 S * 4/1976 Ashton D7/388
D258,212 S * 2/1981 Negrete D3/314
D378,561 S * 3/1997 Ferris D7/359
6,814,235 B2 * 11/2004 Wang A47G 23/06
206/524.3
D566,556 S * 4/2008 Baker D9/456
D635,825 S * 4/2011 Borovicka D7/409
8,006,843 B1 * 8/2011 McFarland B65D 25/30
206/511
D651,043 S * 12/2011 Sarnoff D7/409
D723,324 S * 3/2015 Feriola D7/359

D735,531 S * 8/2015 Wilson D7/505
D763,600 S * 8/2016 Huss D6/582
D784,067 S * 4/2017 Keating D7/354
D789,708 S * 6/2017 Kraemer D6/585
D793,161 S * 8/2017 Fullmer D7/409
D806,464 S * 1/2018 Sarnoff D7/359
D826,622 S * 8/2018 Shah D7/359
D833,031 S * 11/2018 Curry D24/227
D853,844 S * 7/2019 Juillet D9/456
D855,385 S * 8/2019 Lee D7/362
D863,196 S * 10/2019 Ariay D12/401
D863,886 S * 10/2019 Hubert D7/409
D881,587 S * 4/2020 Klobuchar D5/54
D885,188 S * 5/2020 Hansen D9/456
D891,981 S * 8/2020 Riesterer D11/155
D896,028 S * 9/2020 Thompson D7/409

* cited by examiner

Primary Examiner — Kelley A Donnelly
(74) *Attorney, Agent, or Firm* — Carter, DeLuca & Farrell LLP

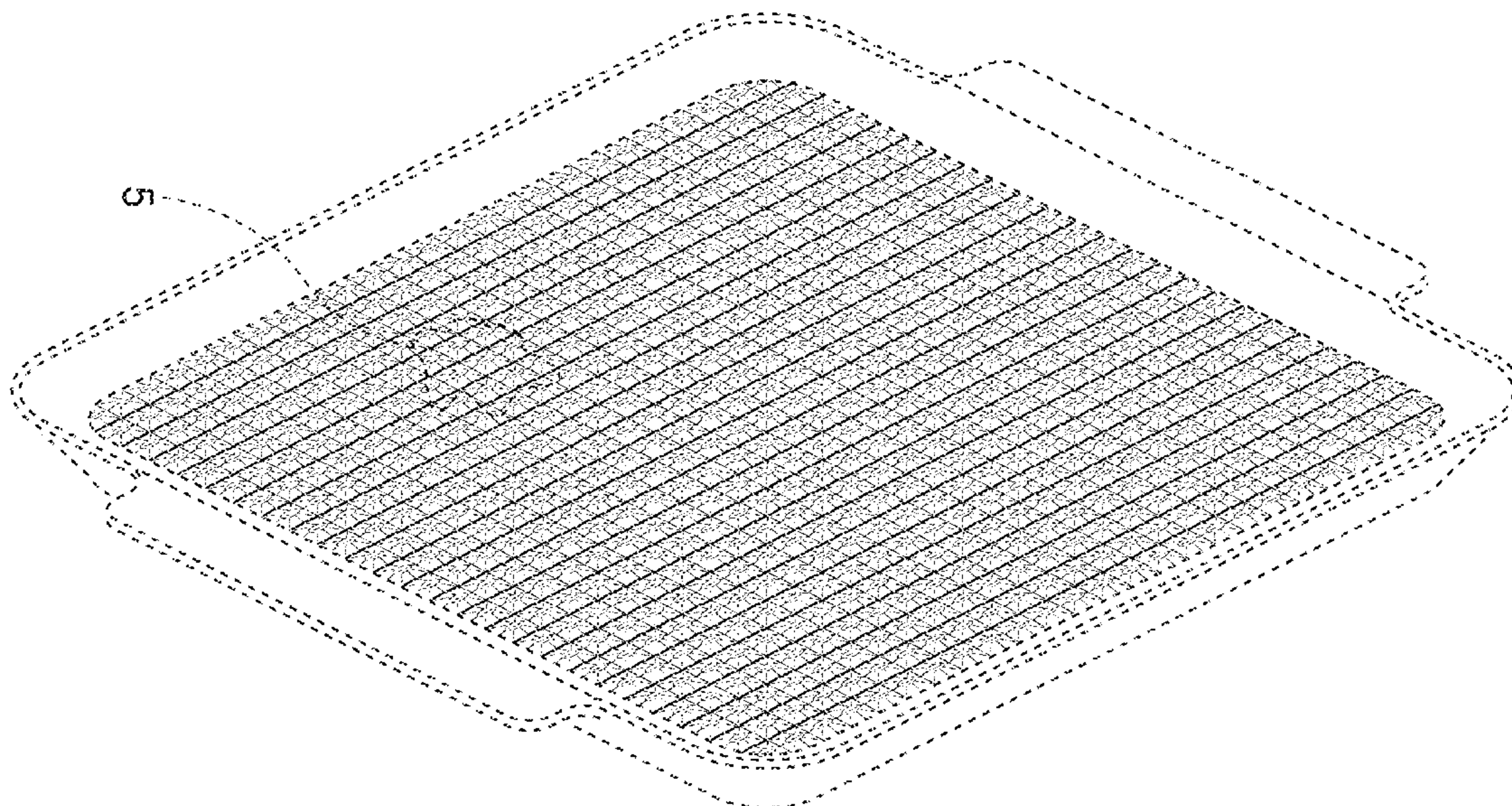
(57) **CLAIM**

The ornamental design for a pattern for containers, as shown and described.

DESCRIPTION

FIG. 1 is a front perspective view of a pattern for containers in accordance with the present design without a claim to a specific shape to which the pattern may be applied thereof; FIG. 2 is a top plan view thereof; FIG. 3 is a right side elevational view thereof, the left side elevational view being a mirror image thereof; FIG. 4 is a front elevational view thereof, the rear side elevational view being a mirror image thereof; and, FIG. 5 is an enlarged detail view of area 5 circumscribed within FIG. 1. The broken lines shown in the drawings illustrate portions of the pattern for containers that form no part of the claimed design.

1 Claim, 4 Drawing Sheets



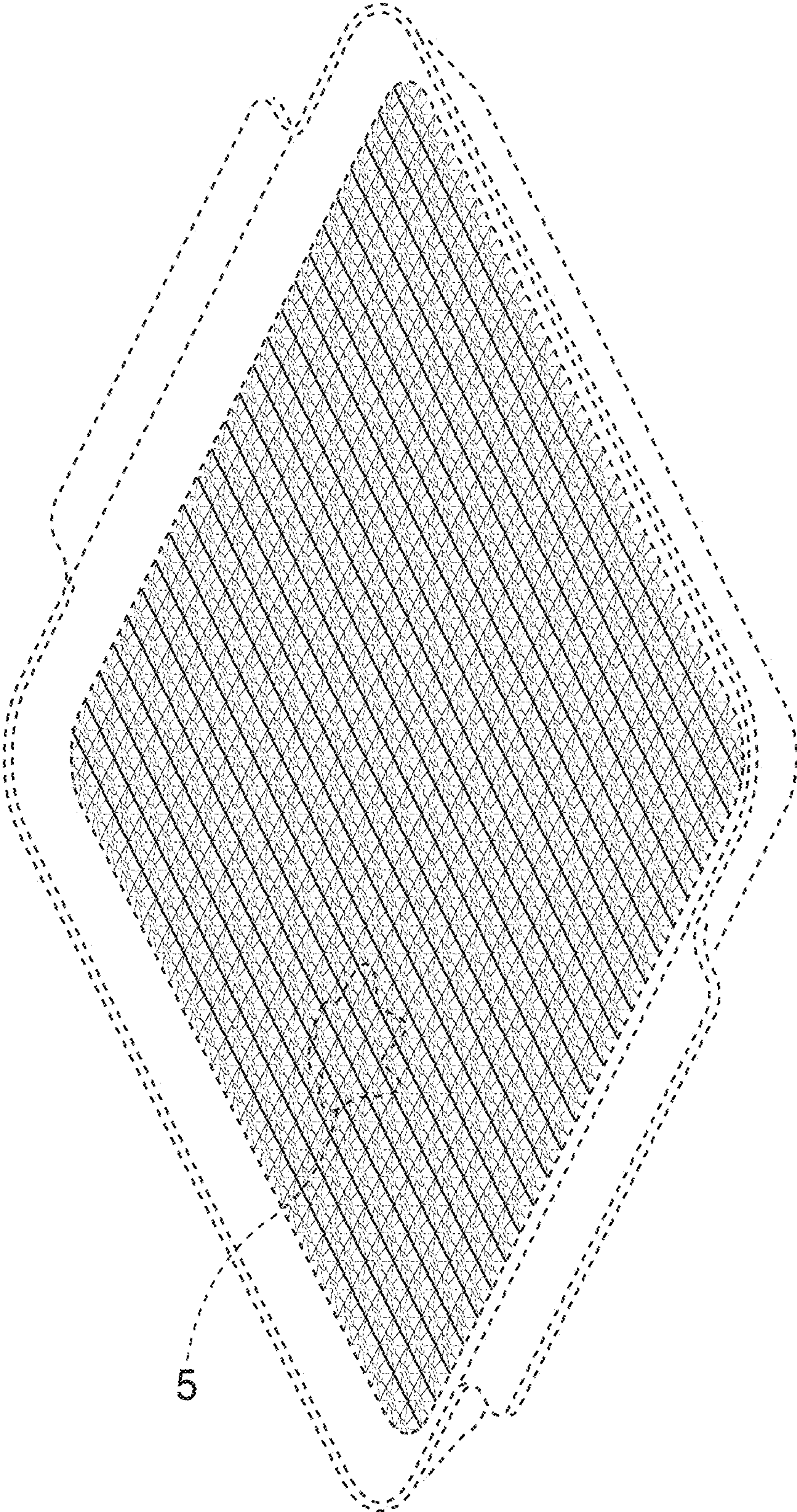


FIG. 1

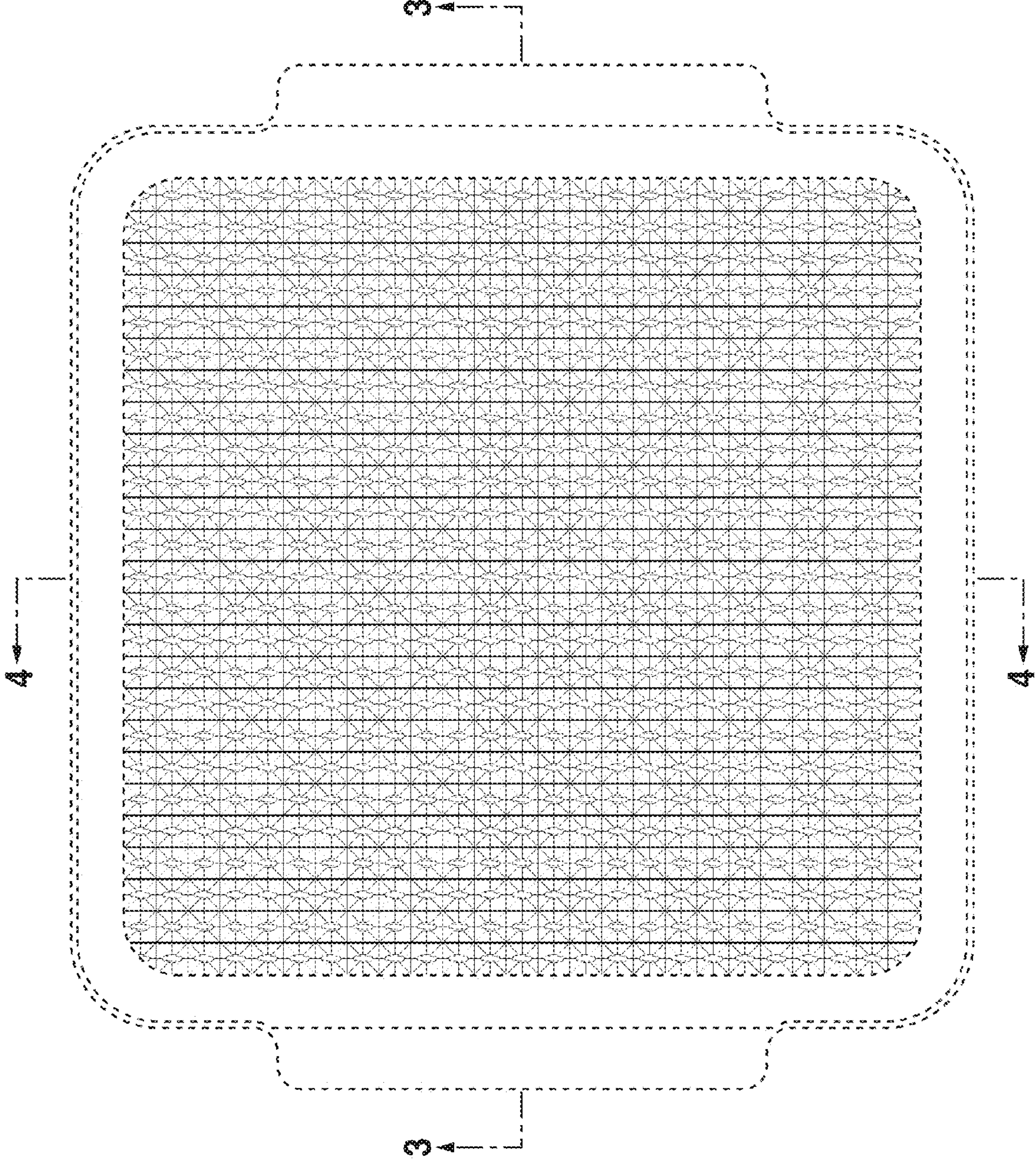


FIG. 2

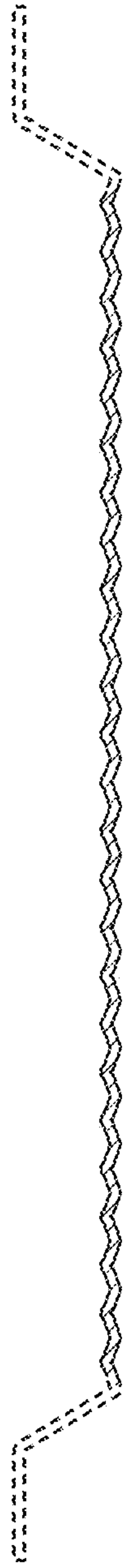


FIG. 3

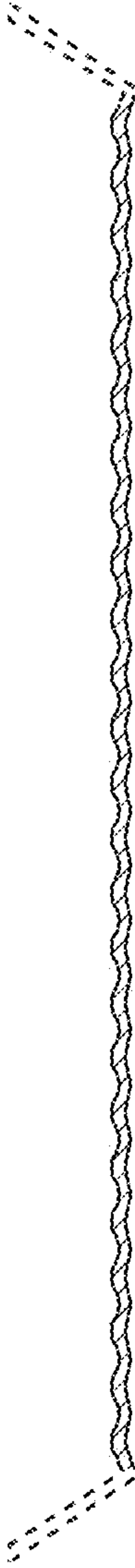


FIG. 4

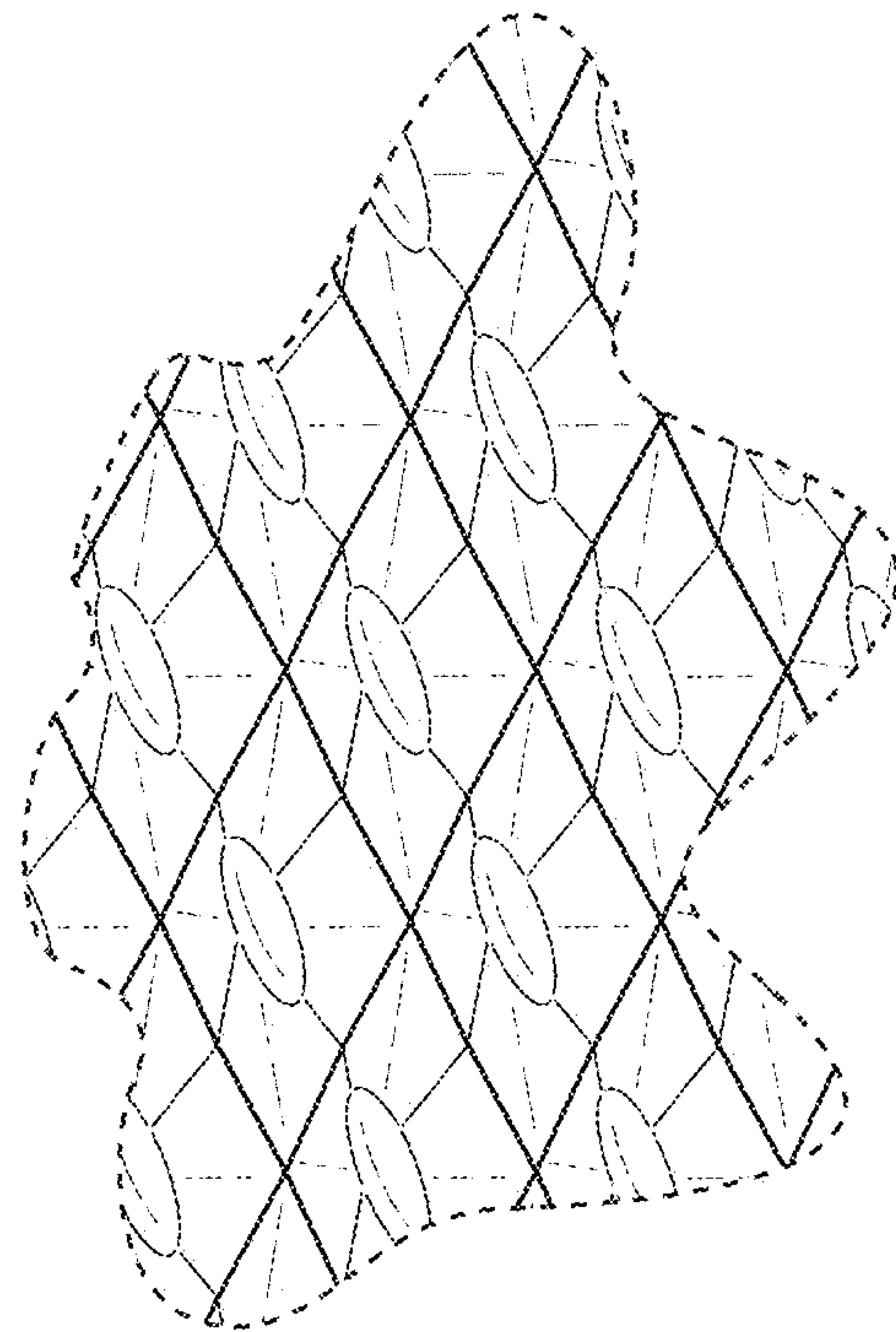


FIG. 5