



US00D923411S

(12) **United States Design Patent** (10) **Patent No.:** **US D923,411 S**
McCabe et al. (45) **Date of Patent:** **** Jun. 29, 2021**

(54) **BEVERAGE CONTAINER**

FOREIGN PATENT DOCUMENTS

(71) Applicant: **Leapfrog Product Development LLC**,
Chicago, IL (US)

JP D1629181 * 4/2019
MY 09-1217-0405-0001 * 8/2010

(72) Inventors: **Micaela K. McCabe**, Chicago, IL (US);
Jaswanth Chowdary Gonuguntla,
Anantapur (IN); **Steven N. Pinelli**,
Ogden Dunes, IN (US); **Glen C.**
Gilmore, III, Naperville, IL (US);
Richard E. Ellison, Chicago, IL (US);
Derek J. Leatzow, Chicago, IL (US);
Kurtis M. Sward, Anna Maria, FL
(US)

OTHER PUBLICATIONS

3dRose, "3dRose Vintage George Melies French Magician Adver-
tising Poster Travel Mug," Aug. 28, 2013, Amazon.com, www.
amazon.com/dp/B00CWJAS36 (Year: 2013).*

(Continued)

(73) Assignee: **Leapfrog Product Development LLC**,
Chicago, IL (US)

Primary Examiner — Shannon W Morgan

Assistant Examiner — Arva P Adams

(74) *Attorney, Agent, or Firm* — Barnes & Thornburg
LLP

(**) Term: **15 Years**

(57) **CLAIM**

We claim the ornamental design for a beverage container, as
shown and described.

(21) Appl. No.: **29/712,010**

DESCRIPTION

(22) Filed: **Nov. 5, 2019**

(51) **LOC (13) Cl.** **07-01**

(52) **U.S. Cl.**
USPC **D7/536**

(58) **Field of Classification Search**

USPC D7/507, 509, 510, 511, 300.1, 532, 533,
D7/529, 523, 624.2, 608, 413, 536, 591,
D7/584, 504, 515; D9/452, 527, 529,
D9/444, 517, 530, 553, 556, 503, 541,
D9/551, 440, 443, 445, 544, 520, 571,
D9/501, 502; 220/592.17, 592.16,

(Continued)

FIG. 1 is a top perspective view of a beverage container
according to the new design.

FIG. 2 is a bottom perspective view of the beverage con-
tainer shown in FIG. 1.

FIG. 3 is a front elevation view of the beverage container
shown in FIG. 1.

FIG. 4 is a rear elevation view of the beverage container
shown in FIG. 1.

FIG. 5 is a left side elevation view of the beverage container
shown in FIG. 1.

FIG. 6 is a right side elevation view of the beverage
container shown in FIG. 1.

FIG. 7 is a top plan view of the beverage container shown
in FIG. 1; and,

FIG. 8 is a bottom plan view of the beverage container
shown in FIG. 1.

The broken lines in the drawings illustrate portions of the
beverage container that form no part of the claimed design.

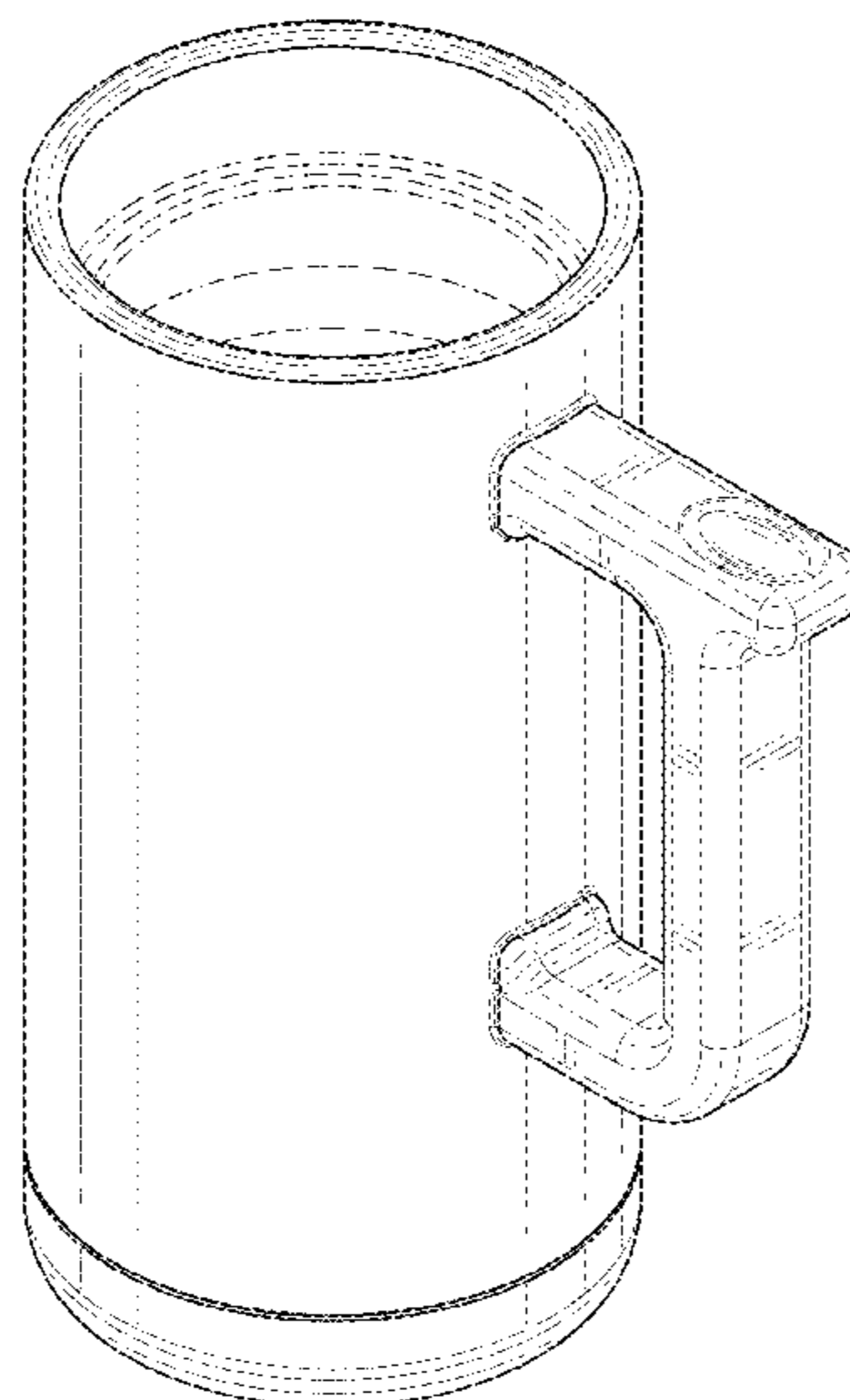
(56) **References Cited**

U.S. PATENT DOCUMENTS

D254,463 S * 3/1980 Wilson D7/536
D269,147 S * 5/1983 Trombly D7/536

(Continued)

1 Claim, 8 Drawing Sheets



(58) **Field of Classification Search**

USPC 220/592.15, 710.5, 758; D24/197;
210/120, 275; 215/384
CPC A47G 19/2288; A47G 19/2227; A47G
19/2272; A47G 19/2205; A47G 19/22;
A47G 23/0216; A47G 23/0258; A47G
23/0241; B65D 81/24; B65D 51/24;
B67D 1/0004; A47K 3/28; D65D 23/10
See application file for complete search history.

(56) **References Cited**

U.S. PATENT DOCUMENTS

D275,253 S * 8/1984 Durand D7/530
D286,967 S * 12/1986 Appel D7/511
D331,684 S * 12/1992 Trombley D7/533
D334,869 S * 4/1993 Mills D7/536
D339,267 S * 9/1993 Hatt D7/514
D364,810 S 12/1995 Meisner
D373,290 S * 9/1996 Ballin 81/3.09
D404,241 S * 1/1999 Bagley D7/513
D471,455 S 3/2003 Laveault et al.
D485,132 S 1/2004 Dhno et al.
D505,294 S 5/2005 Gauss
D508,185 S 8/2005 Gauss
D515,357 S 2/2006 Ward et al.
D528,862 S 9/2006 Li
D533,061 S 12/2006 Li
D564,841 S 3/2008 Clemens et al.
D579,722 S 11/2008 Sakulsacha et al.
D581,727 S 12/2008 Pinelli et al.
D591,102 S * 4/2009 Zatzman D7/394
D592,456 S 5/2009 Pinelli et al.
D592,905 S 5/2009 Pinelli et al.
D592,913 S 5/2009 Pinelli et al.
7,546,933 B2 6/2009 Pinelli
D609,964 S 2/2010 Lane
D639,608 S * 6/2011 Tohm, Sr. D7/536
D643,249 S 8/2011 Miller et al.
7,997,442 B2 8/2011 Pinelli
D655,580 S 3/2012 Kotani
D656,787 S 4/2012 Phillips et al.
D661,945 S 6/2012 Eyal
D675,060 S 1/2013 Lane
8,360,267 B1 1/2013 Chiou et al.
D680,378 S * 4/2013 Romley D7/536
D686,871 S 7/2013 Lane
D693,629 S 11/2013 Miller
D693,630 S 11/2013 Hurley et al.
8,579,133 B2 11/2013 Marcus et al.
8,590,731 B2 11/2013 Pinelli
D700,012 S 2/2014 Hurley et al.
D700,802 S 3/2014 Miller
D716,605 S * 11/2014 Likar D7/394
D720,187 S * 12/2014 Romley D7/536
8,978,906 B2 3/2015 Feeley et al.
D725,966 S 4/2015 Boroski et al.
D733,499 S * 7/2015 Perman D7/536
D739,183 S 9/2015 Lane
9,266,643 B2 2/2016 Marcus et al.
D758,189 S 6/2016 Roth et al.
D758,790 S 6/2016 Boroski
D776,980 S * 1/2017 Thun D7/536
D780,578 S 3/2017 Lane et al.
D785,402 S 5/2017 Shirley et al.
D793,804 S 8/2017 Herbst et al.
D794,453 S 8/2017 Boroski et al.
D795,011 S 8/2017 Pisarevsky
D799,898 S 10/2017 Yao
D802,993 S 11/2017 Joseph et al.
D804,903 S 12/2017 Mason et al.
D804,904 S 12/2017 Noveletsky et al.
D808,220 S 1/2018 Burns et al.
D809,384 S 2/2018 Best et al.
D814,398 S 4/2018 Yasunaga
D817,713 S 5/2018 Lin

D818,767 S 5/2018 Nezu
D821,136 S 6/2018 Silsby et al.
D821,137 S 6/2018 Boroski
D821,815 S 7/2018 Chung
D822,427 S 7/2018 Sorensen et al.
D831,425 S 10/2018 Best et al.
D831,433 S 10/2018 Fleischhut
D835,939 S 12/2018 Yee et al.
D839,044 S 1/2019 Potter et al.
D842,043 S * 3/2019 Wall D7/536
D848,787 S 5/2019 Tatsukawa et al.
D853,181 S 7/2019 Stanton
D853,784 S 7/2019 Wu
D865,457 S 11/2019 Kotani
D869,230 S 12/2019 Hao
D870,509 S 12/2019 Bo
D882,343 S * 4/2020 Rane D7/536
D890,573 S * 7/2020 Jacobsen D7/510
2009/0071970 A1 * 3/2009 Sultana A47G 23/0216
220/772
2011/0089059 A1 4/2011 Lane et al.
2012/0312832 A1 12/2012 Lane
2014/0339177 A1 11/2014 Lane
2015/0282654 A1 10/2015 Kurabe et al.
2017/0297785 A1 10/2017 Maruyama et al.

OTHER PUBLICATIONS

Red Wing Stoneware, "Red Wing Stoneware 28 oz Stein," May 9, 2017, Amazon.com, www.amazon.com/dp/B071HMC213 (Year: 2017).*

Ello Products, Untitled, Nov. 7, 2018, Facebook.com, www.facebook.com/ElloProducts/photos/2068601493162113 (Year: 2018).*

Oojdzoo, "Handmade Pottery Coffee/Tea Mug Polish—10 oz Rustic Stoneware Ceramic Cup Clay Art by Oojdzoo," Feb. 1, 2018, Amazon.com, www.amazon.com/dp/B079HR3YBD (Year: 2018).*

Ello, "Ello Aspen 16oz Ceramic Travel Mug," Jan. 21, 2019, Amazon.co.uk, www.amazon.co.uk/dp/B07ZZL9ZSL (Year: 2019).*

Ello, "Ello Campy Vacuum Insulated Stainless Steel Water Bottle with Slider Lid," Oct. 4, 2019, Amazon.com, www.amazon.com/dp/B01FZD7MX4 (Year: 2019).*

BarConic, "BarConic Glass Beer Mugs," Sep. 7, 2019, Amazon.com, www.amazon.com/dp/B07XMT3MDG (Year: 2019).*

Zulu, "Atlas20 oz Glass Water Bottle," accessed on-line at: https://www.zuluathletic.com/shop-all/atlas-glass-water-ottle (available at least as early as Nov. 5, 2019).

Kor, "Vida Bottle—25oz," accessed on-line at: https://waterbottles.com/kor-vida-bottle-25-oz (available at least as early as Nov. 5, 2019).

Thermos, "Hydration Bottle with Rotating Intake Meter, 24oz," accessed on-line at: https://www.thermos.com/genuine-thermos-brand-hydration-bottle-with-rotating-intake-meter-24oz.html (available at least as early as Nov. 5, 2019).

Thermos, "Shaker Bottle with Integrated Mixer, 24oz," accessed on-line at: https://www.thermos.com/genuine-thermos-brand-shaker-bottle-with-integrated-mixer-24oz-clear-green-accent.html (available at least as early as Nov. 5, 2019).

Tervis, "Custom Water Bottle," accessed on-line at: https://www.tervis.com/turtle-sunset-stainless-steel-24oz-stainless-water-bottle-1362572.html (available at least as early as Nov. 5, 2019).

Swell, "Bottles," accessed on-line at: https://www.swell.com/shop/swell/bottles/ (available at least as early as Nov. 5, 2019).

Tritan, "32 oz Soft Straw Plastic Water Bottle," accessed on-line at: http://www.pogogear.com/32oz-tritan-straw (available at least as early as Nov. 5, 2019).

Tritan, "32oz Chug Plastic Water Bottle," accessed on-line at: http://www.pogogear.com/32oz-tritan-chug (available at least as early as Nov. 5, 2019).

Tritan, "18oz Chug Plastic Water Bottle," accessed on-line at: http://www.pogogear.com/18oz-tritan-chug (available at least as early as Nov. 5, 2019).

Ello, "chi 24oz BPA-Free Tritan Plastic Water Bottle," accessed on-line at: https://www.elloproducts.com/water-bottles/chi-24oz-plastic-water-bottle (available at least as early as Nov. 5, 2019).

(56)

References Cited

OTHER PUBLICATIONS

Ello, "Dash 16oz 2pk Tritan Plastic Water Bottles," accessed on-line at: <https://www.elloproducts.com/kids/dash-16oz-tritan-plastic-water-bottle> (available at least as early as Nov. 5, 2019).

Ello, "Cru Stemless Wine glass Set with Silicone Protection," accessed on-line at: <https://www.elloproducts.com/tumblers/cru-stemless-wine-glass-set-with-silicone-protection> (available at least as early as Nov. 5, 2019).

Zulu, "Atlas20 oz Glass Water Bottle," accessed on-line at: <https://www.zuluathletic.com/shop-all/atlas-glass-water-bottle> (available at least as early as Nov. 5, 2019).

Ello, "Elsie 22oz Glass Water Bottle," accessed on-line at: <https://www.elloproducts.com/water-bottles/elsie-22oz-glass-water-bottle> (available at least as early as Nov. 5, 2019).

Ello, "Beacon 24oz Vacuum Insulated Stainless Tumbler," accessed on-line at: <https://www.elloproducts.com/tumblers/beacon-24oz-vacuum-insulated-stainless-tumbler> (available at least as early as Nov. 5, 2019).

Ello, "Rise 12oz Vacuum Insulated Stainless Steel Tumbler with Optional Straw," accessed on-line at: <https://www.elloproducts.com/kids/rise-12oz-vacuum-insulated-stainless-steel-tumbler> (available at least as early as Nov. 5, 2019).

Ello, "Hammertime 18oz Stainless Steel Travel Mug," accessed on-line at: <https://www.elloproducts.com/travel-mugs/hammertime-18oz-vacuum-insulated-stainless-steel-travel-mug> (available at least as early as Nov. 5, 2019).

Ello, "Pure 20oz Glass Water Bottle," accessed on-line at: <https://www.elloproducts.com/water-bottles/pure-20oz-glass-water-bottle> (available at least as early as Nov. 5, 2019).

Ello, "Max 12oz Vacuum-Insulated Stainless Steel Kids Water Bottle," accessed on-line at: <https://www.elloproducts.com/kids/max-12oz-vacuum-insulated-stainless-steel-kids-water-bottle> (available at least as early as Nov. 5, 2019).

Ello, "Syndicate 20oz Glass Water Bottle," accessed on-line at: <https://www.elloproducts.com/water-bottles/syndicate-20oz-glass-water-bottle> (available at least as early as Nov. 5, 2019).

Camelbak, "Eddy+ 1L Bottle," accessed on-line at: https://www.camelbak.com/en/bottles/R02056--Eddy_75L_2019?color=6bbd0584f3a64b0eb30d40617e03797e (available at least as early as Nov. 5, 2019).

Contigo, "Autoseal West Loop 2.0 Stainless," accessed on-line at: <https://www.gocontigo.com/20-oz-autoseal-west-loop-stainless-travel-mug-with-easy-clean-lid.html> (available at least as early as Nov. 5, 2019).

Contigo, "Autospout Straw Striker Chill," accessed on-line at: <https://www.gocontigo.com/14-oz-autospout-striker-kids-water-bottle.html> (available at least as early as Nov. 5, 2019).

Zojirushi, "Travel Mug SM-YAE48," accessed on-line at: <https://www.zojirushi.com/app/product/smyae> (available at least as early as Nov. 5, 2019).

Zojirushi, "Stainless Mug SM-KC3648," accessed on-line at: <https://www.zojirushi.com/app/product/smkc> (available at least as early as Nov. 5, 2019).

Zojirushi, "Stainless Bottle SJ-JS10," accessed on-line at: <https://www.zojirushi.com/app/product/sjjs> (available at least as early as Nov. 5, 2019).

Zojirushi, "Flip-and-Go Stainless Mug SM-QHE48/60," accessed on-line at: <https://www.zojirushi.com/app/product/smqhe> (available at least as early as Nov. 5, 2019).

Zojirushi, "Stainless Mug SM-TAE48SA, Ichimatsu Collection," accessed on-line at: <https://www.zojirushi.com/app/product/smtae> (available at least as early as Nov. 5, 2019).

Zojirushi, "Stainless Mug SM-TA36/48/60," accessed on-line at: <https://www.zojirushi.com/app/product/smta> (available at least as early as Nov. 5, 2019).

Zojirushi, "Stainless Mug SM-SE36/48/60," accessed on-line at: <https://www.zojirushi.com/app/product/smse> (available at least as early as Nov. 5, 2019).

Zojirushi, "Stainless Mug SM-SD36/48/60," accessed on-line at: <https://www.zojirushi.com/app/product/smsd> (available at least as early as Nov. 5, 2019).

Zojirushi, "Stainless Mug SM-SHE48160," accessed on-line at: <https://www.zojirushi.com/app/product/smshe> (available at least as early as Nov. 5, 2019).

Zojirushi, "Stainless Mug SM-KHE36148," accessed on-line at: <https://www.zojirushi.com/app/product/smke> (available at least as early as Nov. 5, 2019).

Zojirushi, "Stainless Mug SM-SC36/48/60," accessed on-line at: <https://www.zojirushi.com/app/product/smsc> (available at least as early as Nov. 5, 2019).

Zojirushi, "Stainless Mug SM-KC36148," accessed on-line at: <https://www.zojirushi.com/app/product/smkc> (available at least as early as Nov. 5, 2019).

Zojirushi, "Stainless Mug SM-PC20/30," accessed on-line at: <https://www.zojirushi.com/app/product/smpc> (available at least as early as Nov. 5, 2019).

Zojirushi, "Stainless Mug SM-PB30/34," accessed on-line at: <https://www.zojirushi.com/app/product/smpb> (available at least as early as Nov. 5, 2019).

Migo, "Enjoy Sport Water Bottle," accessed on-line at: <https://www.pinterest.com/pin/12666442685646757/> (available at least as early as Nov. 5, 2019).

Coleman, "Switch SS," accessed on-line at: https://www.coleman.com/all-camp-kitchen/drinkware/switch-ss/col_2038485_pr/COL_2038485 (available at least as early as Nov. 5, 2019).

Corkcicle, "Classic Arctican," accessed on-line at: <https://corkcicle.com/products/classic-arctican?variant=475182759951> (available at least as early as Nov. 5, 2019).

* cited by examiner

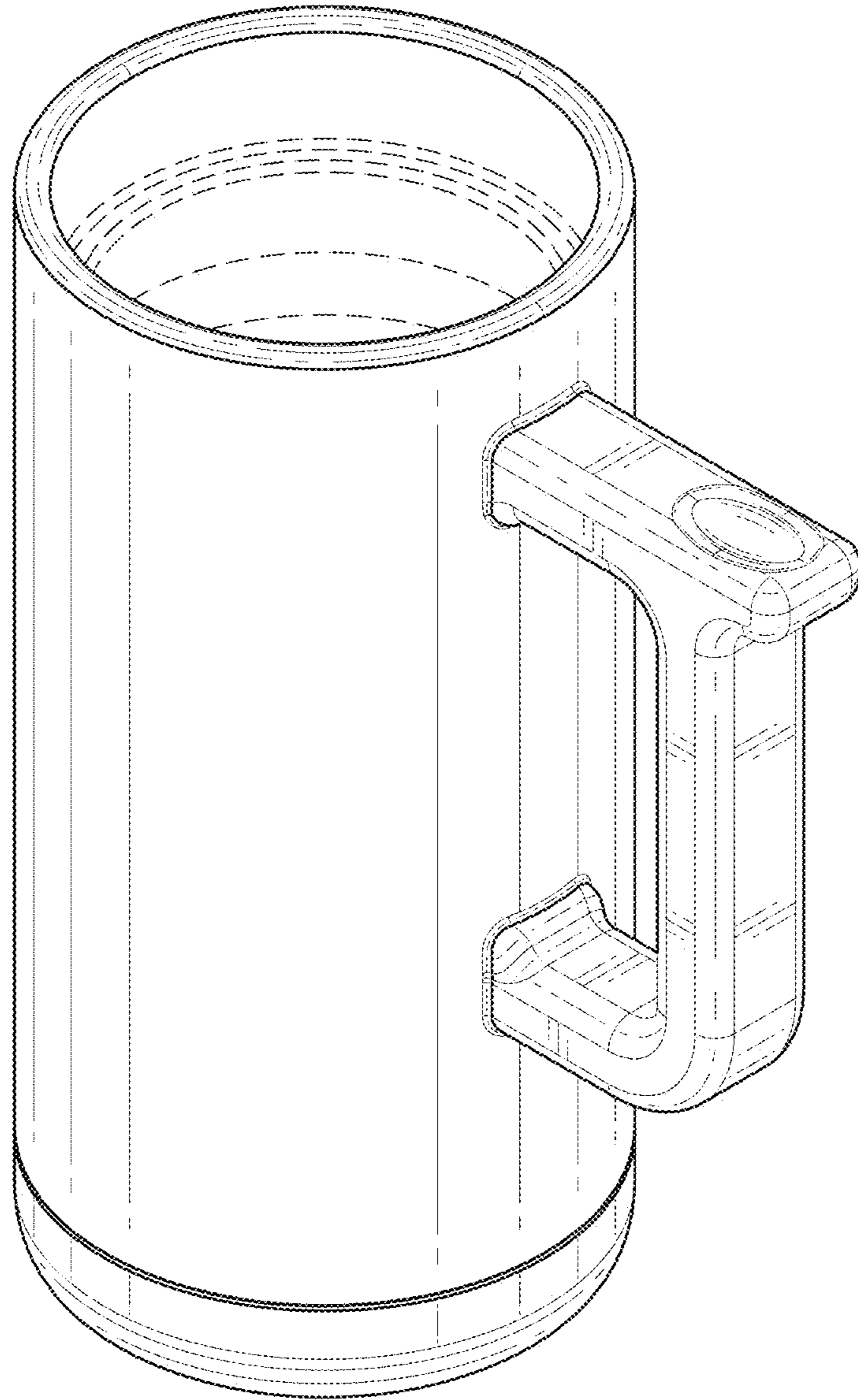


FIG. 1

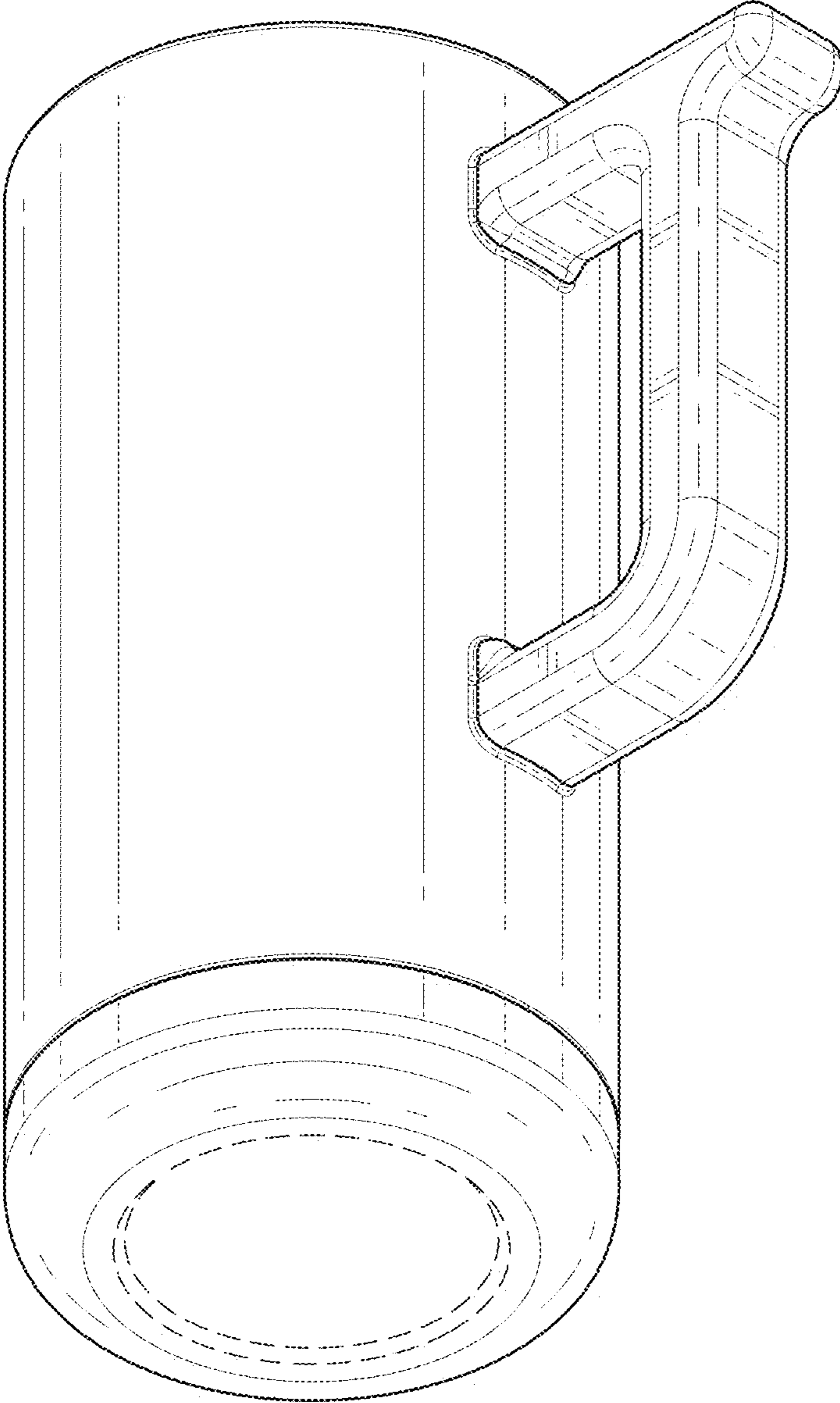


FIG. 2

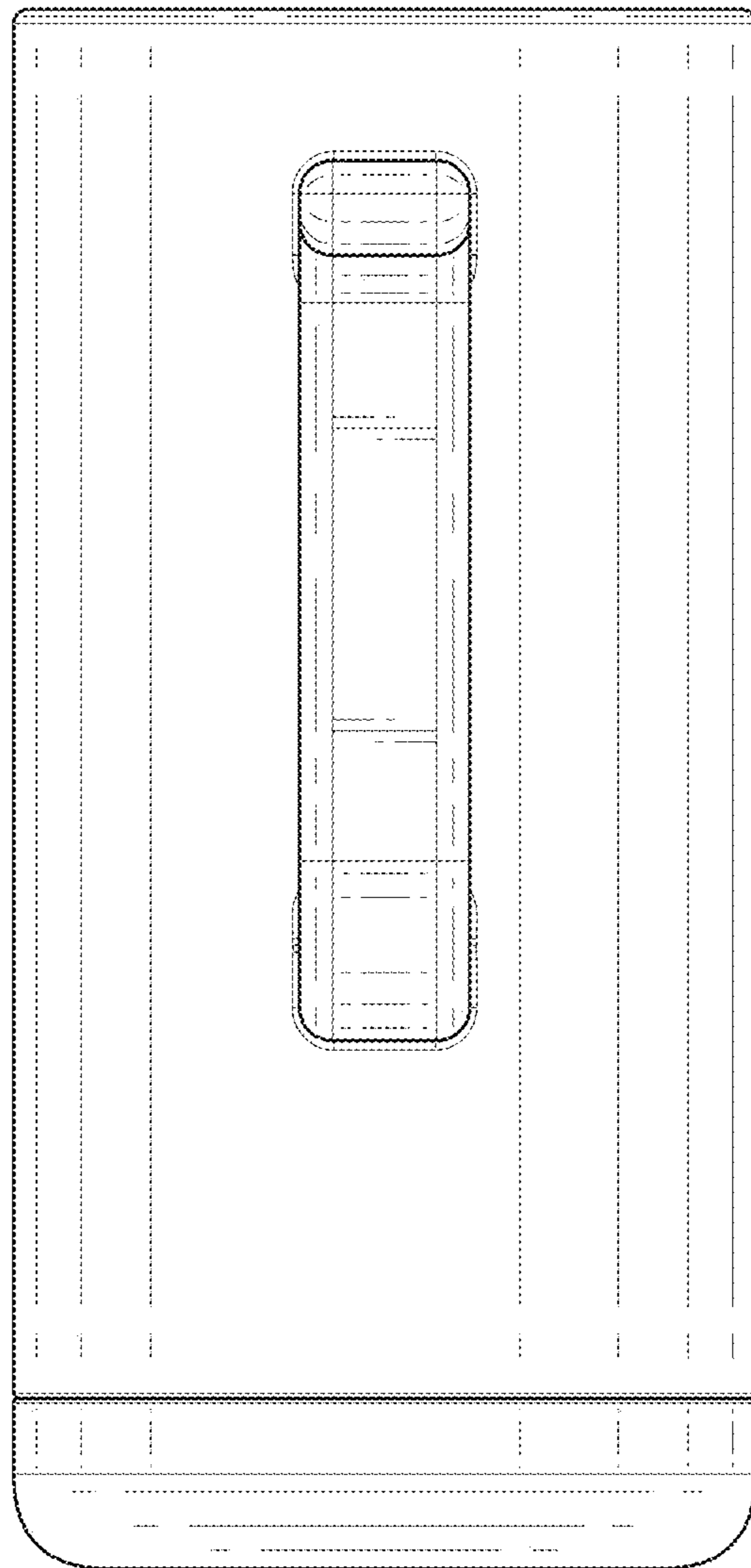


FIG. 3

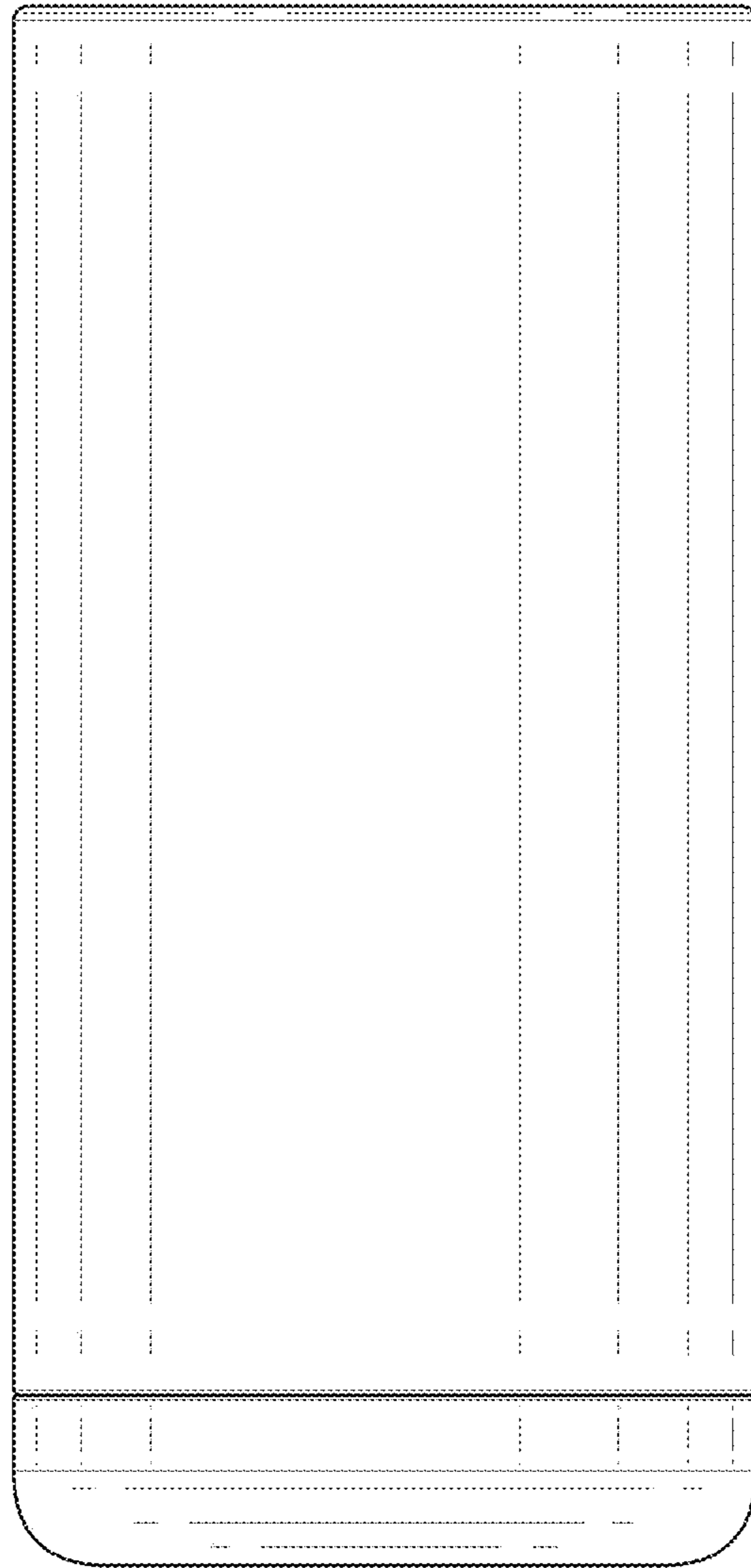


FIG. 4

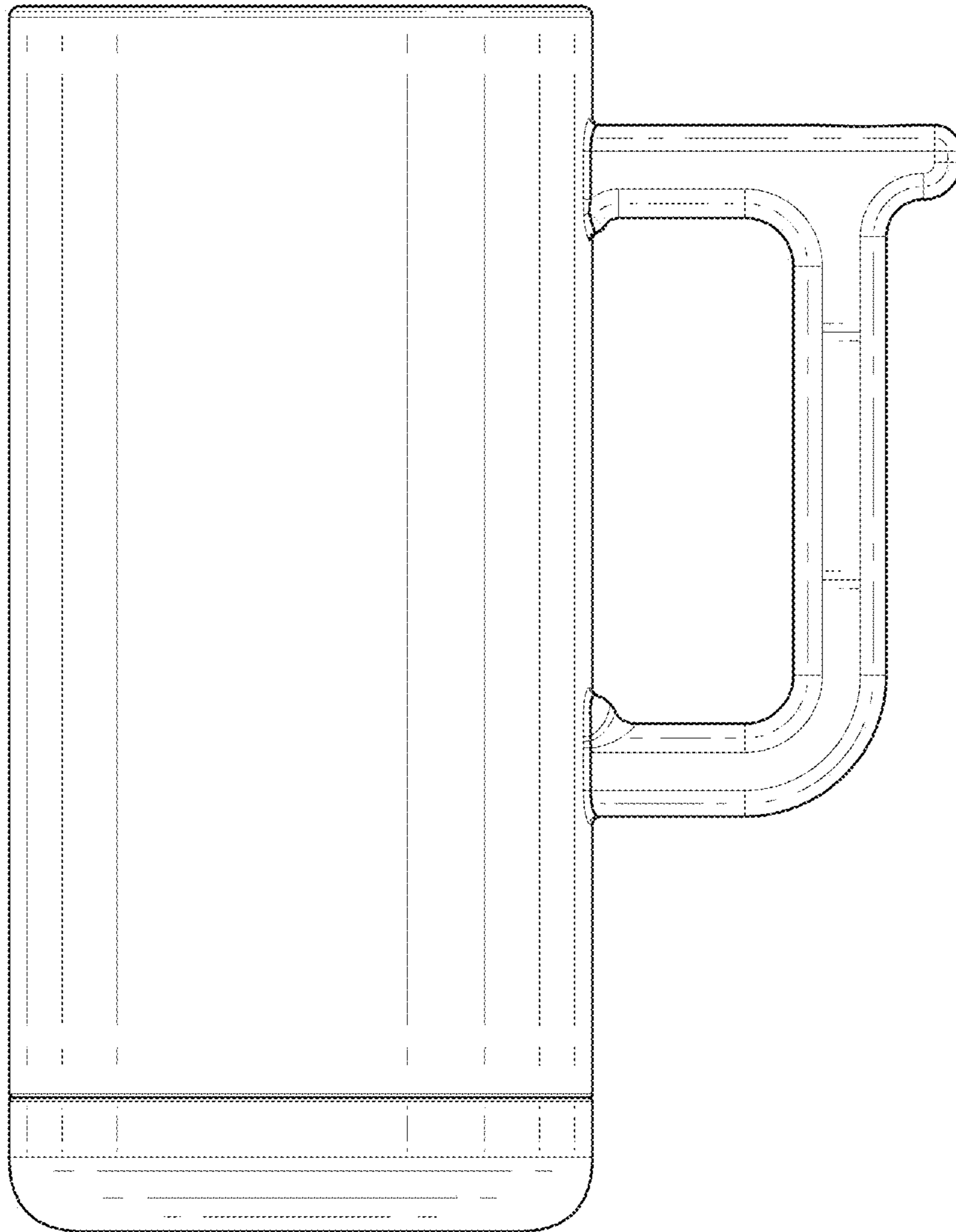


FIG. 5

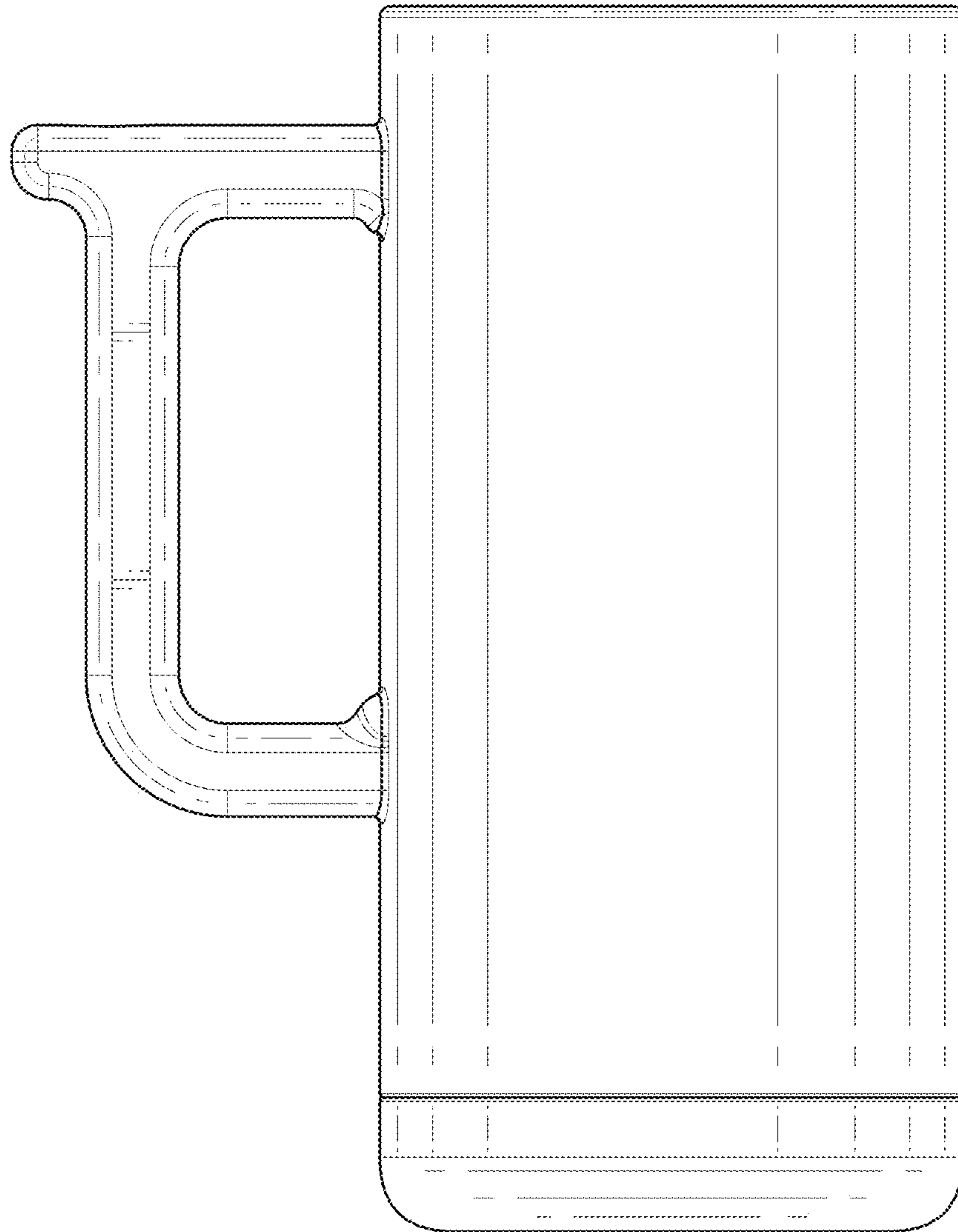


FIG. 6

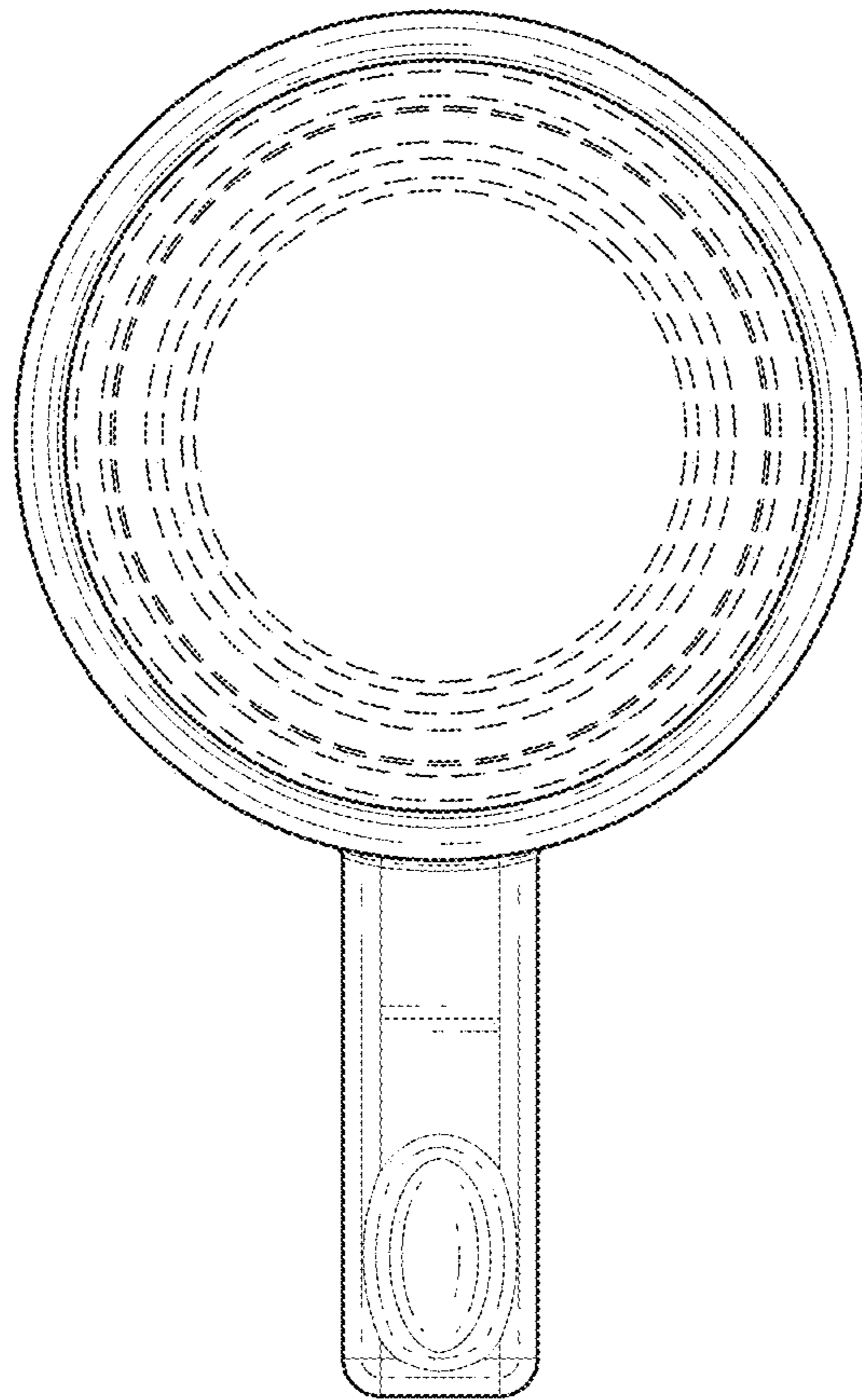


FIG. 7

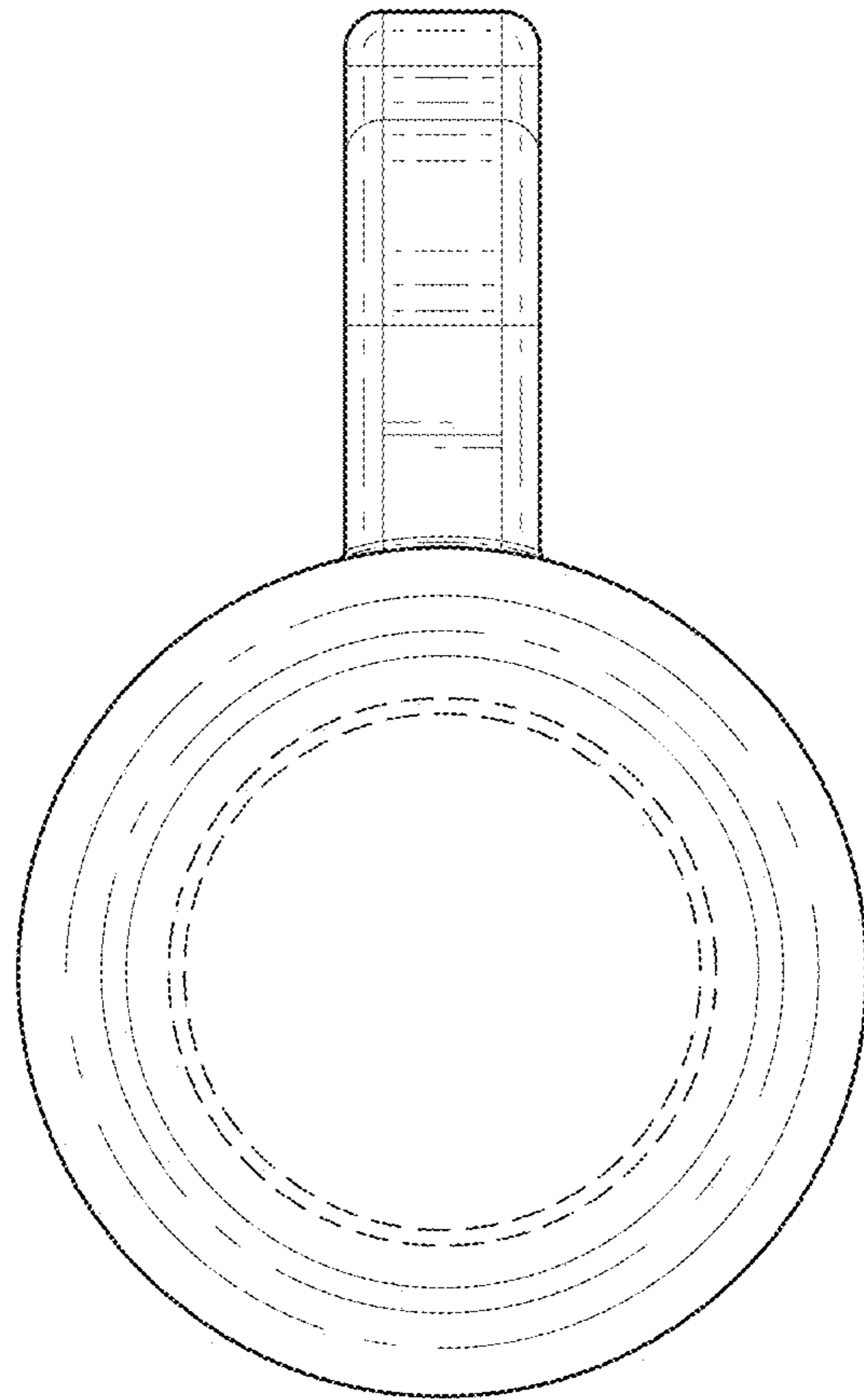


FIG. 8