



US00D923410S

(12) **United States Design Patent**
Hamilton

(10) **Patent No.:** **US D923,410 S**
(45) **Date of Patent:** **** Jun. 29, 2021**

- (54) **BEVERAGE CONTAINER**
- (71) Applicant: **MAGNOLIA INTELLECTUAL DESIGNS LLC**, Dallas, TX (US)
- (72) Inventor: **Mary Nicole Hamilton**, Heath, TX (US)
- (73) Assignee: **Magnolia Intellectual Designs LLC**, Dallas, TX (US)
- (**) Term: **15 Years**
- (21) Appl. No.: **29/690,583**
- (22) Filed: **May 9, 2019**
- (51) **LOC (13) Cl.** **07-01**
- (52) **U.S. Cl.**
USPC **D7/523; D7/509**
- (58) **Field of Classification Search**
USPC D7/507, 509, 510, 511, 529, 531, 532, D7/523, 533, 534, 535, 536, 392.1, 296.1, D7/396.2, 300.1, 608; D3/202
CPC A47G 19/22; A47G 19/2288; A47G 19/2205; A47J 41/0077; A47J 41/0088
See application file for complete search history.

D537,676 S *	3/2007	Kingsley	D7/510
D561,590 S *	2/2008	Kingsley	D7/509
D705,012 S *	5/2014	Lapsker	D7/523
D713,686 S *	9/2014	Eyal	D7/509
D808,218 S *	1/2018	Seiders	D7/510
D808,722 S *	1/2018	Hill	D7/510
D821,151 S *	6/2018	Lapsker	D7/511
D830,127 S *	10/2018	Rohe	D7/510
D833,817 S *	11/2018	Sletten	D7/510
D856,082 S *	8/2019	Yao	D7/507
D883,033 S *	5/2020	Bo	D7/523
D895,367 S *	9/2020	Hamilton	D7/523

- (56) **References Cited**
U.S. PATENT DOCUMENTS
4,974,741 A * 12/1990 Gustafson B65D 81/3886 206/486
5,531,353 A * 7/1996 Ward A47G 19/2227 220/23.86
D386,948 S * 12/1997 Wissinger D7/511
6,173,858 B1 * 1/2001 Norwood B65D 11/02 220/613

OTHER PUBLICATIONS

https://www.amazon.com/Atlin-Tumbler-Stainless-Insulation-Included/dp/B071RS2SR7/ref=psdc_602608_t3_B07CR9XCDL (Year: 2017).*

* cited by examiner

Primary Examiner — Jae Liang
(74) *Attorney, Agent, or Firm* — Smith IP Services, P.C.

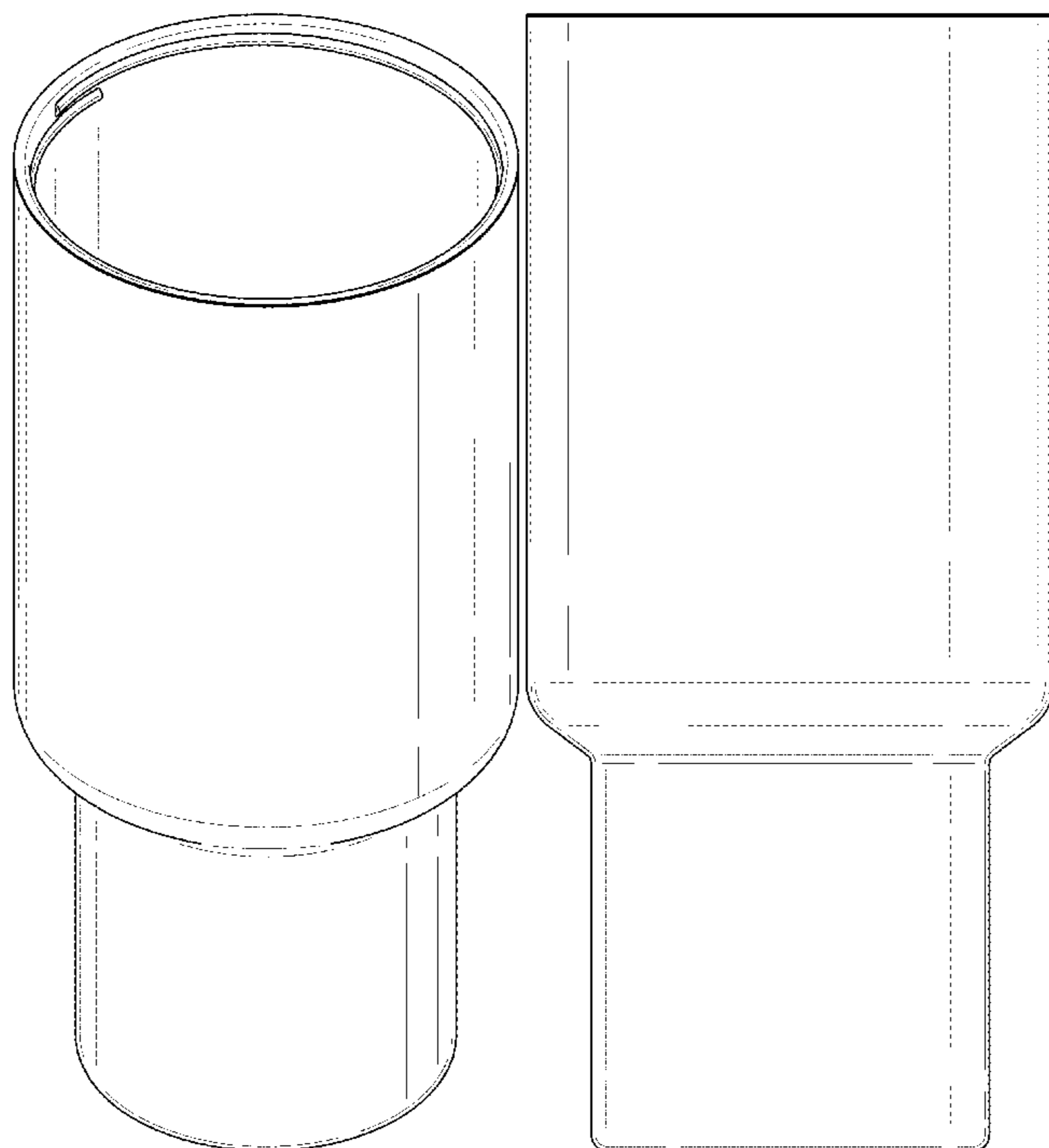
(57) **CLAIM**

The ornamental design for a beverage container, as shown and described.

DESCRIPTION

FIG. 1 shows a top perspective view of a beverage container, with threading around the inner rim;
FIG. 2 shows a bottom perspective view of the beverage container.
FIG. 3 shows a front elevational view of the beverage container; all sides being identical;
FIG. 4 shows a top view of the beverage container; and,
FIG. 5 shows a bottom view of the beverage container.

1 Claim, 4 Drawing Sheets



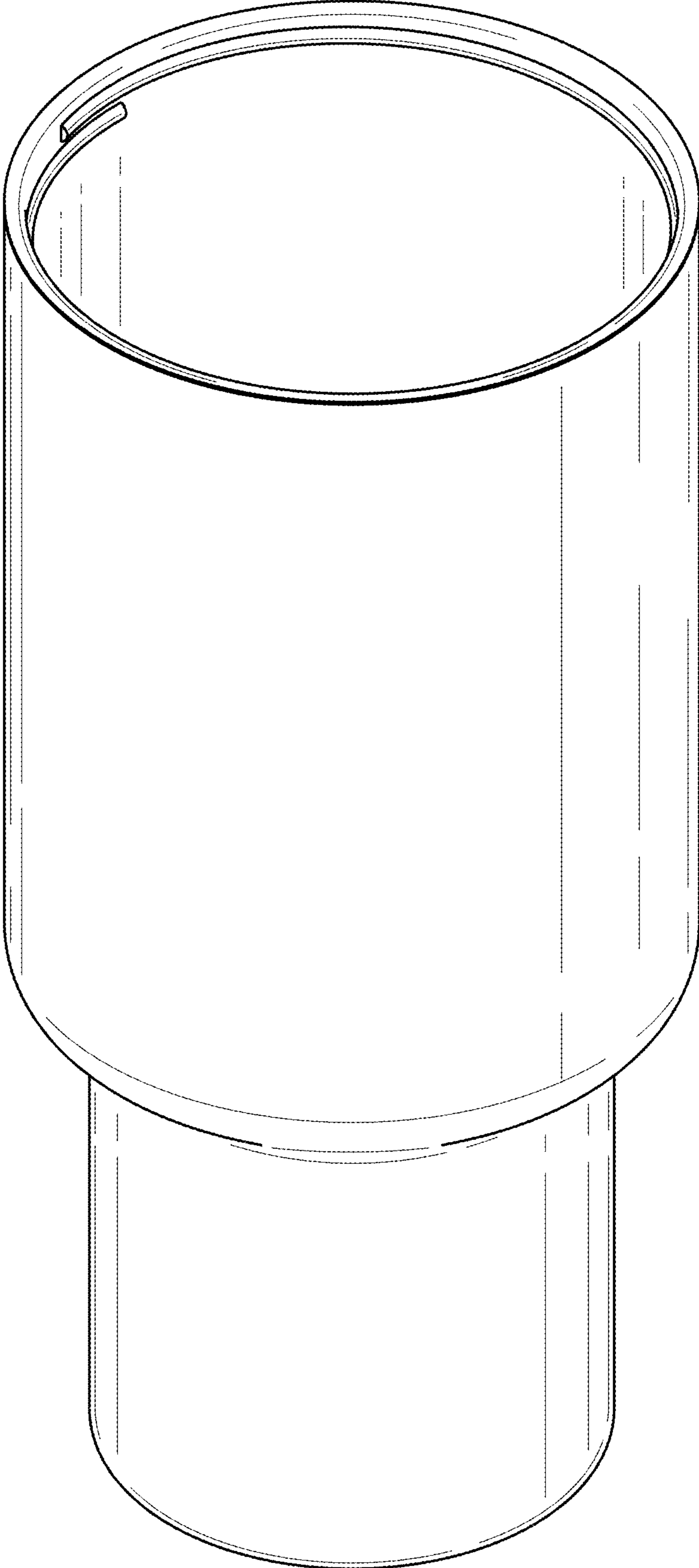


FIG. 1

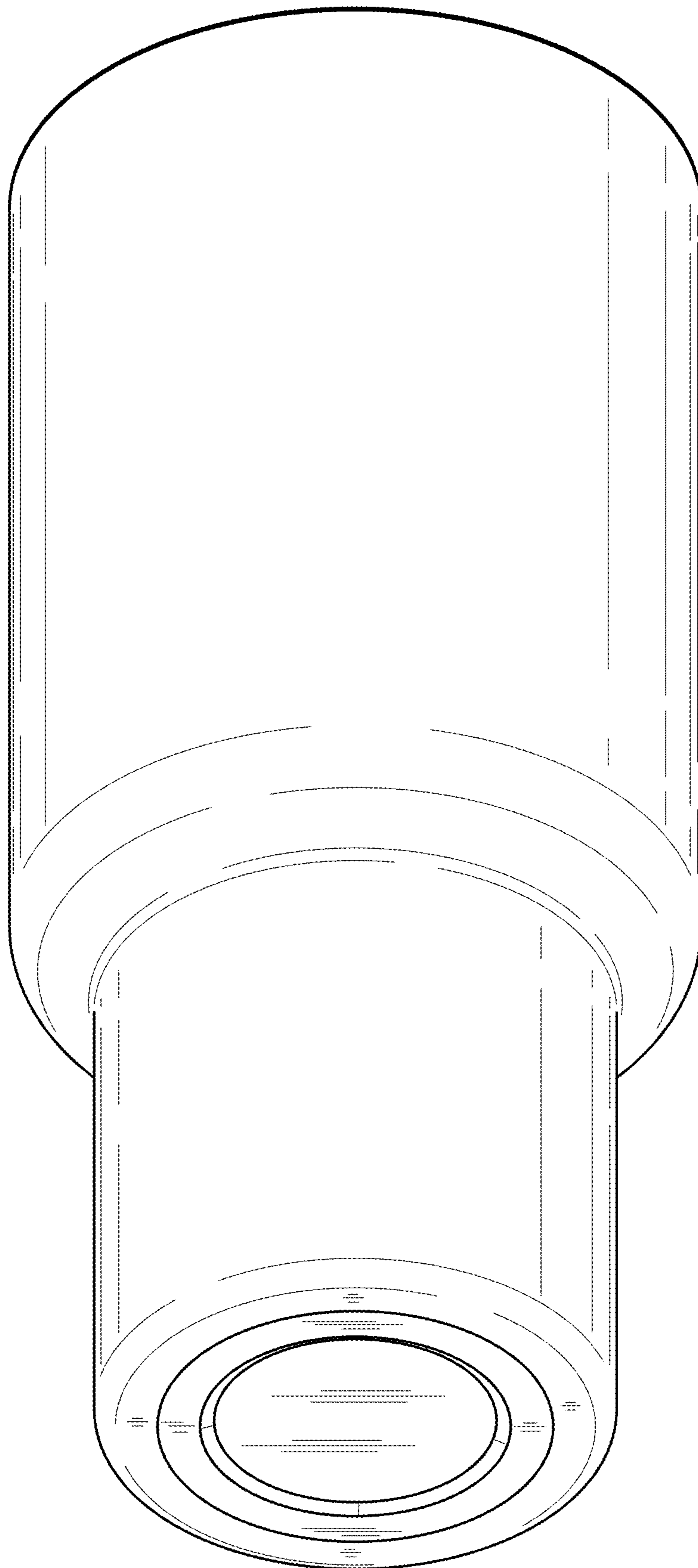


FIG.2

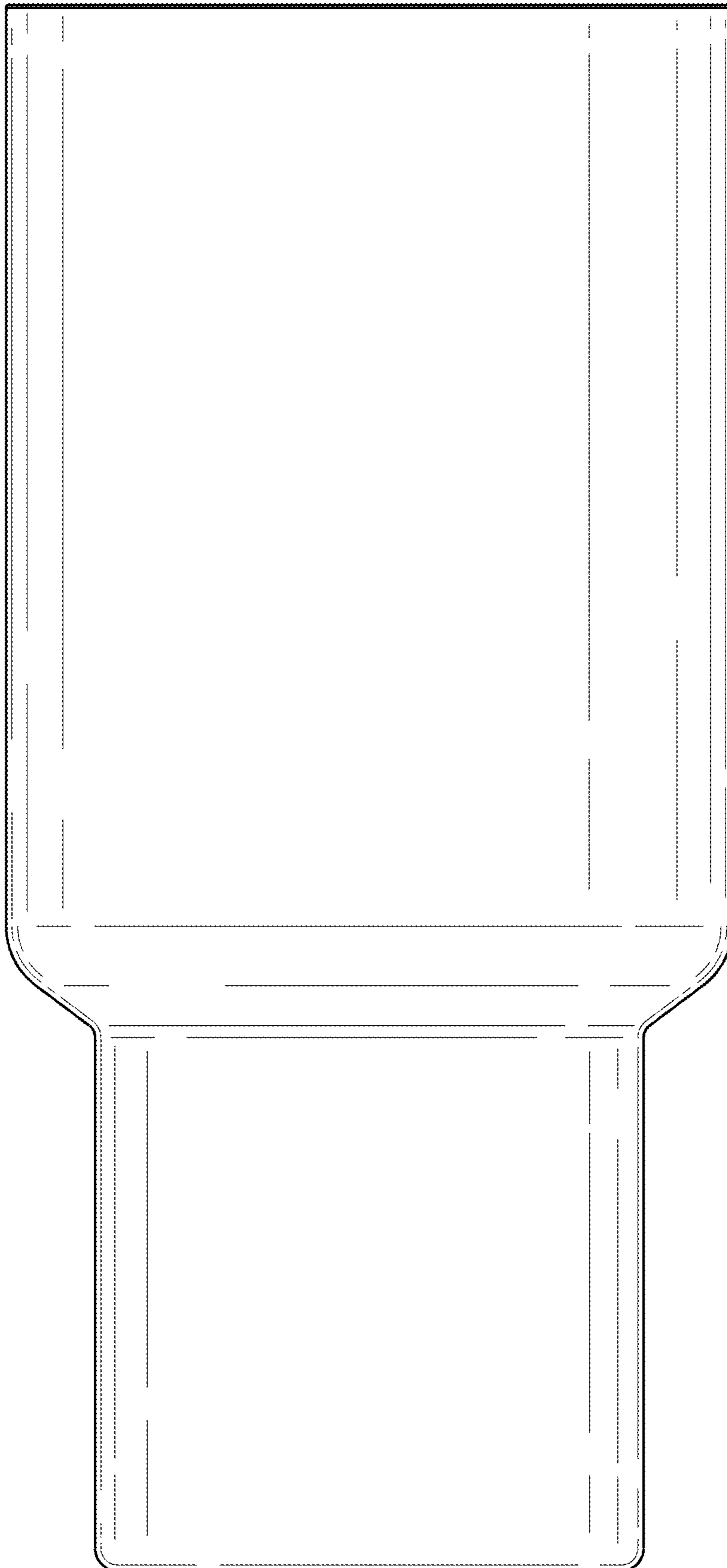


FIG.3

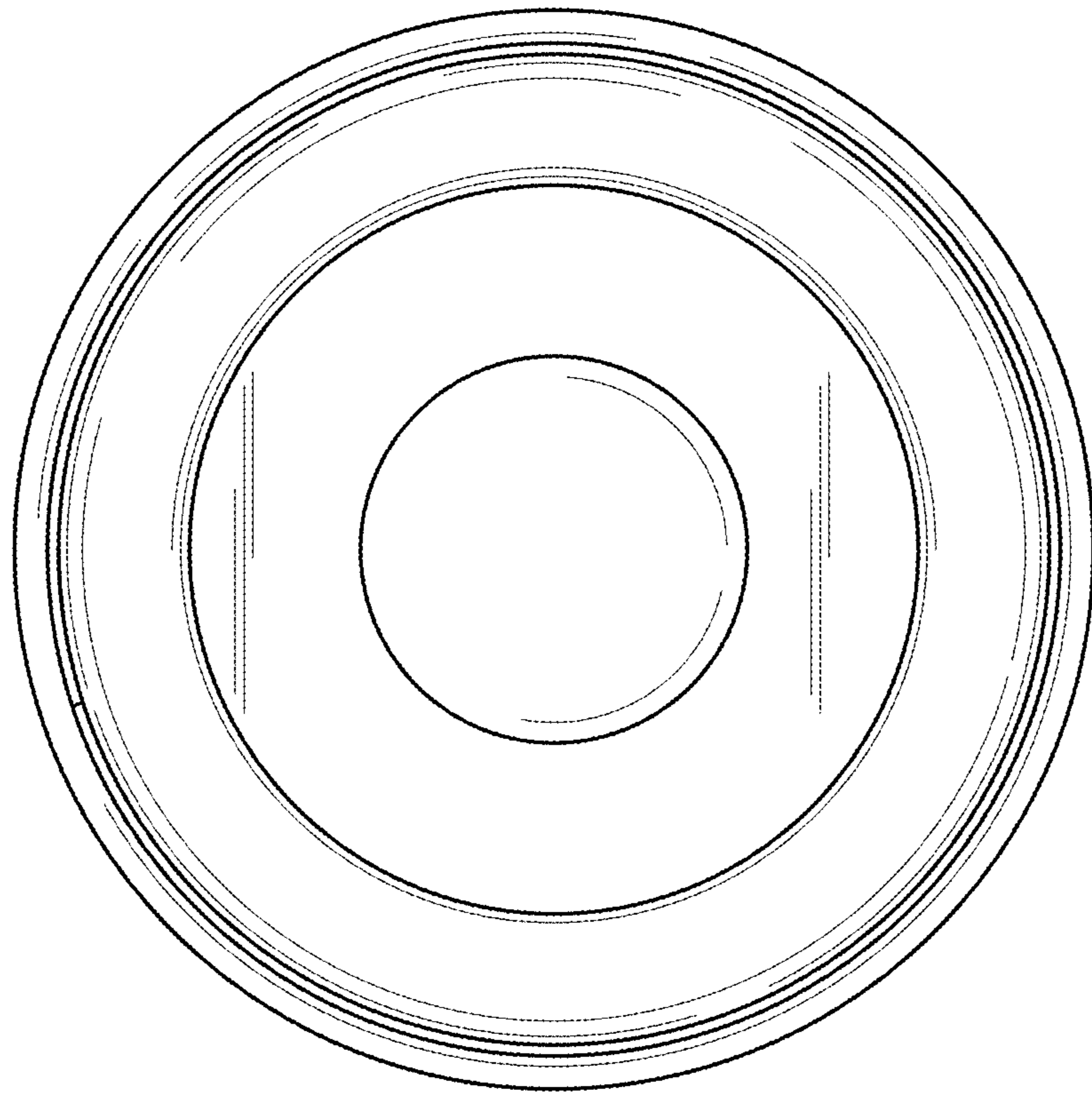


FIG.4

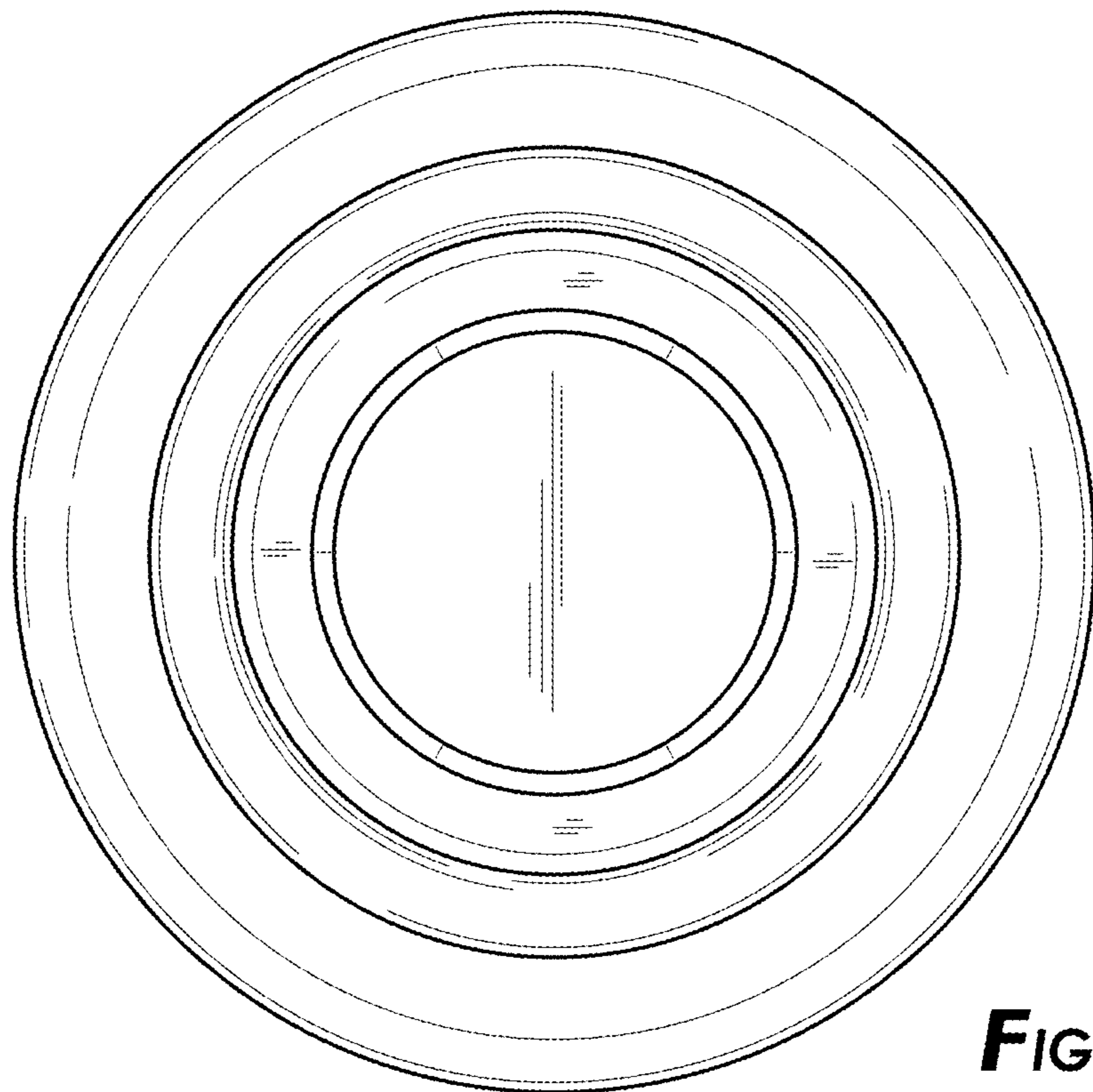


FIG.5