



US00D923409S

(12) **United States Design Patent** (10) **Patent No.:** **US D923,409 S**
Backs (45) **Date of Patent:** **** Jun. 29, 2021**

(54) **CONTAINER CAP WITH DRINK VESSEL**

A47J 36/14; A47J 36/06; A47G 19/222;
A47G

(71) Applicant: **CamelBak Products, LLC**, Petaluma,
CA (US)

(Continued)

(72) Inventor: **Jochen Backs**, Mill Valley, CA (US)

(56) **References Cited**

(73) Assignee: **CamelBak Products, LLC**, Petaluma,
CA (US)

U.S. PATENT DOCUMENTS

D519,380 S * 4/2006 Leoncavallo D7/511
D528,921 S * 9/2006 Leoncavallo D7/511

(Continued)

(**) Term: **15 Years**

OTHER PUBLICATIONS

(21) Appl. No.: **29/688,621**

CamelBal Carry Cap: Site Visited [May 21, 2020]. Available from
Internet URL: https://www.camelbak.com/en/accessories/caps/R04072--Carry_Cap_Accessory?color=c57c6bc382c8456493455dbc19fa479a.*

(22) Filed: **Apr. 23, 2019**

(Continued)

(51) **LOC (13) Cl.** **07-01**

(52) **U.S. Cl.**

Primary Examiner — Catherine S Posthauer

USPC **D7/511**

(74) *Attorney, Agent, or Firm* — Amardeep S. Grewal;
Gerard M. Donovan; Reed Smith LLP

(58) **Field of Classification Search**

(57) **CLAIM**

USPC D7/323, 354–363, 391–396.2, 402, 409,
D7/587, 601, 602, 624.1, 624.2, 509, 523,
D7/528, 529, 537, 553.6, 554.1, 566,
D7/600.1, 619.1, 300, 300.1, 305, 392.1,
D7/396.1, 397, 398, 387; D24/121, 127,
D24/199, 281; D9/434, 435, 441, 442,
D9/444, 445, 452, 453, 454, 455, 431,
D9/447, 651; D28/79, 81, 85, 87

The ornamental design for a container cap with drink vessel,
as shown and described.

CPC B65D 2543/00046; B65D 2543/00092;
B65D 2543/00555; B65D 47/08; B65D
47/32; B65D 41/16; B65D 41/02; B65D
41/18; B65D 43/0212; B65D 43/20;
B65D 2251/009; B65D 2251/0028; B65D
2251/0081; B65D 21/0223; B65D 21/02;
B65D 21/265; B65D 2215/00; B65D
2215/02; B65D 50/00; B65D 50/041;
B65D 50/04; B65D 23/001; A47J 36/10;

DESCRIPTION

FIG. 1 is a rear isometric view of a container cap with drink
vessel showing the design.

FIG. 2 is a front isometric view of the container cap with
drink vessel of FIG. 1.

FIG. 3 is a rear elevation view of the container cap with
drink vessel of FIG. 1.

FIG. 4 is a front elevation view of the container cap with
drink vessel of FIG. 1.

FIG. 5 is a left side elevation view of the container cap with
drink vessel of FIG. 1.

FIG. 6 is a right side elevation view of the container cap with
drink vessel of FIG. 1.

FIG. 7 is a top plan view of the container cap with drink
vessel of FIG. 1.

(Continued)

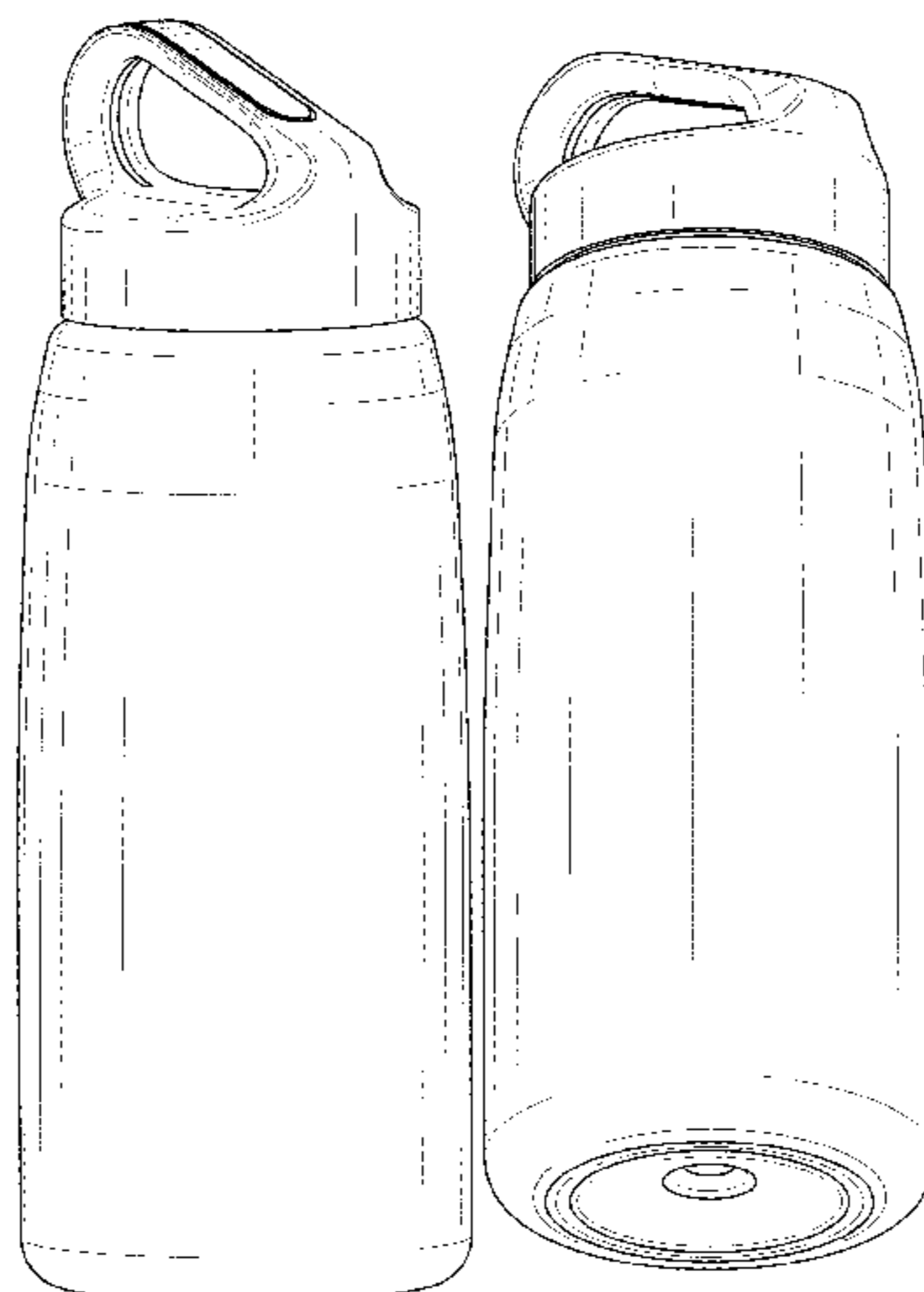


FIG. 8 is a bottom plan view of the container cap with drink vessel of FIG. 1; and, FIG. 9 is a bottom isometric view of the container cap with drink vessel of FIG. 1. The shading lines shown in the drawings represent the three-dimensional contour of the claimed design and are not intended to indicate surface decoration.

1 Claim, 5 Drawing Sheets

(58) **Field of Classification Search**

CPC 19/226; A47G 19/2272; A47G 19/2294; A47G 19/2205

See application file for complete search history.

(56) **References Cited**

U.S. PATENT DOCUMENTS

D608,195 S * 1/2010 Germann D9/443
 D626,416 S * 11/2010 Cresswell D9/503
 D627,602 S * 11/2010 Eyal D7/510
 D628,486 S * 12/2010 Lane D9/503
 D635,457 S * 4/2011 Lane D7/511
 D652,255 S * 1/2012 Carland D7/510
 8,297,462 B1 10/2012 Joyce
 D688,093 S * 8/2013 Roth D7/392.1
 D767,337 S * 9/2016 Boroski D7/510
 D788,544 S * 6/2017 Seiders D7/608
 D791,550 S * 7/2017 Marret D7/511
 D794,397 S * 8/2017 Seiders D7/510
 D795,009 S * 8/2017 Alprin D7/392.1
 D795,013 S * 8/2017 Shultz D7/392.1
 D796,261 S * 9/2017 Khalifa D7/510
 D801,173 S * 10/2017 Lown D9/449
 D805,852 S * 12/2017 Seiders D7/608
 D808,213 S * 1/2018 Lown D7/396.2
 D809,344 S * 2/2018 Guthrie D7/511
 D816,398 S * 5/2018 Fleischhut D7/392.1
 D816,400 S * 5/2018 Beckman D7/396.2
 D819,396 S * 6/2018 Seiders D7/392.1
 D830,771 S * 10/2018 Lin D7/510
 D831,436 S * 10/2018 Seiders D7/608
 D839,675 S * 2/2019 Beckman D7/511
 D840,187 S * 2/2019 Sams D7/392
 D841,391 S * 2/2019 Pape D7/391
 D850,849 S * 6/2019 Ke D7/396.2
 D855,389 S * 8/2019 Waggoner D7/392.1
 D856,748 S * 8/2019 Rane D7/392.1
 D856,757 S * 8/2019 Seiders D7/608
 D860,715 S * 9/2019 Bohman D7/392

D870,508 S * 12/2019 Palkon D7/392.1
 D874,216 S * 2/2020 Henkel D7/392
 D875,466 S * 2/2020 Diener D7/396.2
 D879,556 S * 3/2020 Sibbert D7/511
 D885,839 S * 6/2020 Egorov D7/511
 D889,209 S * 7/2020 Campbell D7/608
 2004/0217139 A1 * 11/2004 Roth B65D 47/243
 224/148.7
 2008/0078787 A1 * 4/2008 Yelland A45F 5/02
 224/148.1
 2017/0119212 A1 * 5/2017 Petrillo A47J 41/02
 2018/0009576 A1 * 1/2018 Sullivan B65D 51/242

OTHER PUBLICATIONS

Camel Bak Carry Cap: Announced Dec. 15, 2019 [online]. Site Visited [May 21, 2020]. Available from Internet URL: https://www.amazon.com/CamelBak-Carry-Cap-Bottle-Insulated/dp/B07XR5TRFK/ref=cm_cr_ar_p_d_product_top?ie=UTF8.
 CamelBak Pivot Water Bottle: Announced Apr. 14, 2020 [online]. Site Visited [Sep. 24, 2020]. Available from Internet URL: <https://www.amazon.com/dp/B07XR99VK5?th=1>.
 Laken Classic Thermo Vacuum Insulated Container: Announced Dec. 31, 2013 [online]. Site Visited [May 21, 2020]. Available from Internet URL: https://www.lakenusa.com/product_p/ta7.htm.
 Pivot CamelBak: Site Visited Sep. 24, 2020. Available from Internet URL: https://www.camelbak.com/en/bottles/R02076--Pivot_Bottle_25oz?color=3ad47db1891742a1b5e9823ffc05164e.
 Marina Sports Bottle with Hidden Compartment, <https://www.4imprint.com/product/132657/Marina-Sport-Bottle-with-Hidden-Compartment-28-oz>, Global Patent Solutions, accessed Apr. 3, 2019.
 Hdryo Flask Wide Mouth Flex, Cap, <https://www.hydroflask.com/wide-mouth-flex-cap/color,black,a,92,o,20>, accessed Apr. 26, 2019.
 Hydro Flask w/Loop Cap Mouth 21 oz. Standard Water Bottle 621 ml, White, https://www.amazon.com/Hydro-Flask-Loop-Mouth-Standard/dp/B01KXHGYQ8/ref=sr_1_fmnull_3?keywords=hydro+flask+standard+loop+cap&qid=1556914118&s=gateway&sr=8-3-fknull, accessed Apr. 26, 2019.
 Yeti Rambler Bottle 26oz Vacuum Insulated Stainless Steel Bottle with Cap, Black DuraCoat: Gateway, https://www.amazon.com/YETI-Bottle-Rambler-26Oz-Black/dp/B072BV47Q8/ref=sr_1_fmnull_1?keywords=yeti+rambler+26oz+black&qid=1556914194&s=gateway&sr=8-1-fknull, accessed Apr. 26, 2019.
 CamelBak Classic Water bottle cap, <https://www.rei.com/product/830433/camelbak-classic-water-bottle-cap>, accessed Apr. 26, 2019.
 Munchkin 12oz Sports Bottle—Green, <https://www.target.com/p/munchkin-12oz-sports-bottle-green/-/A-51687720>, accessed Apr. 26, 2019.

* cited by examiner

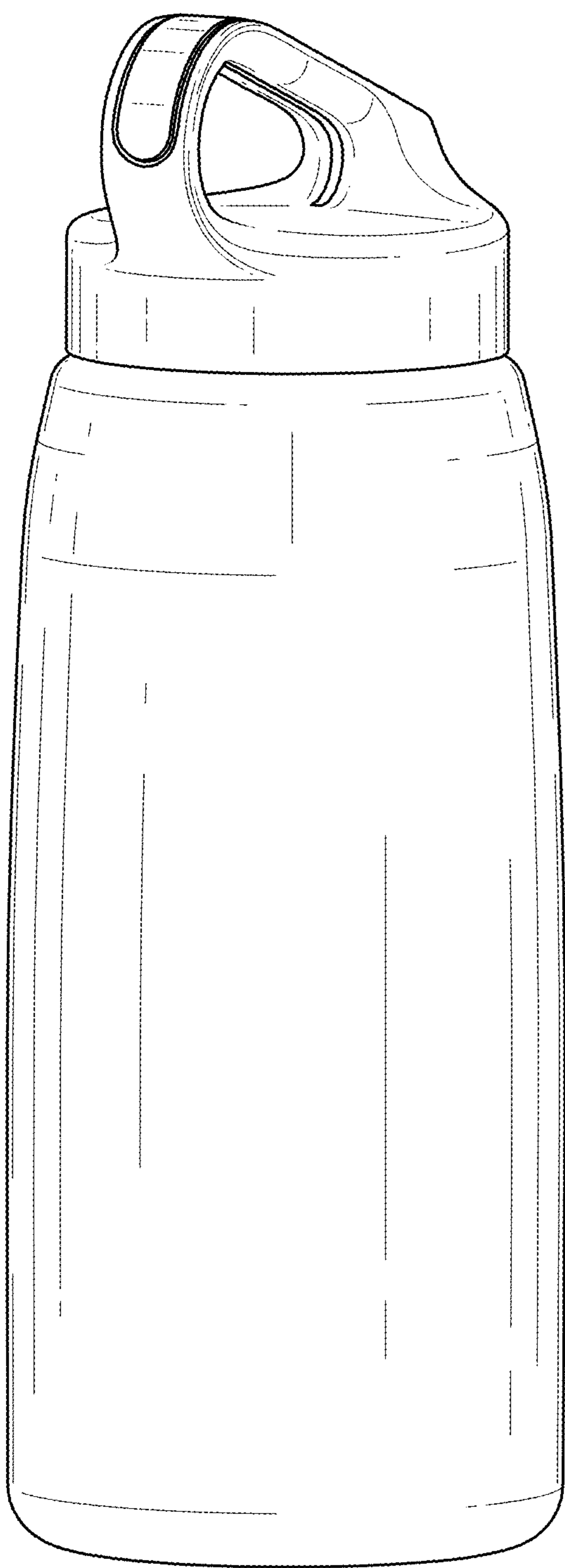


FIG. 1

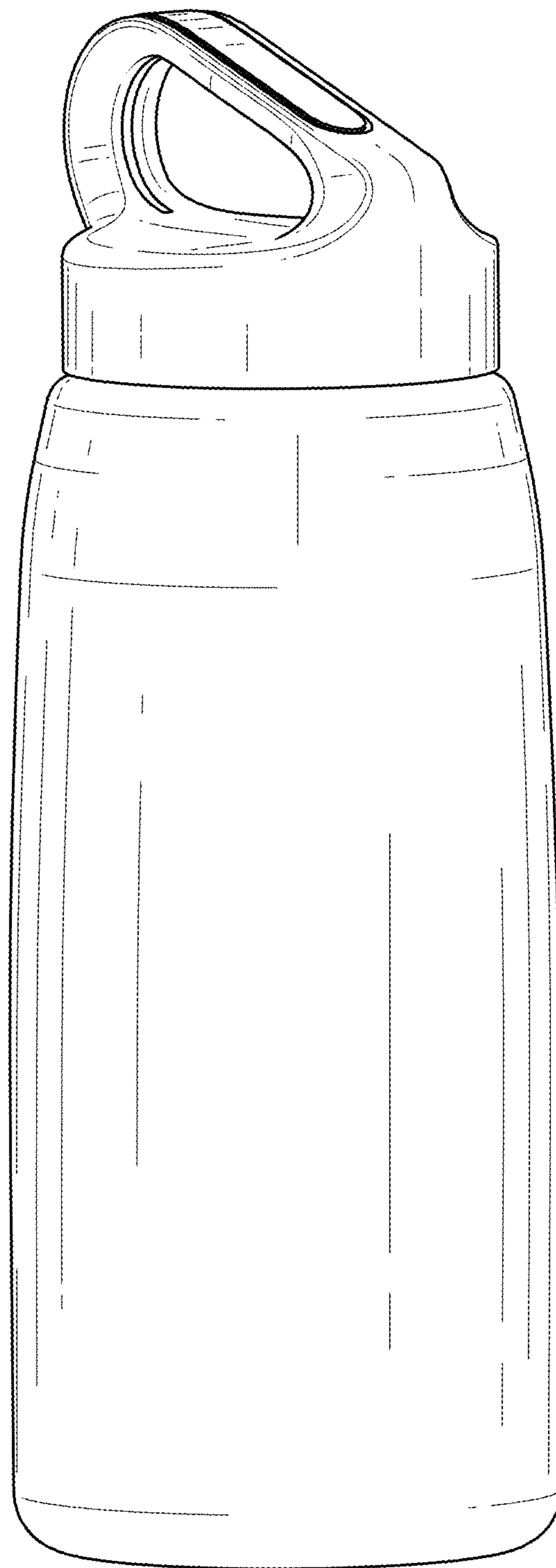


FIG. 2

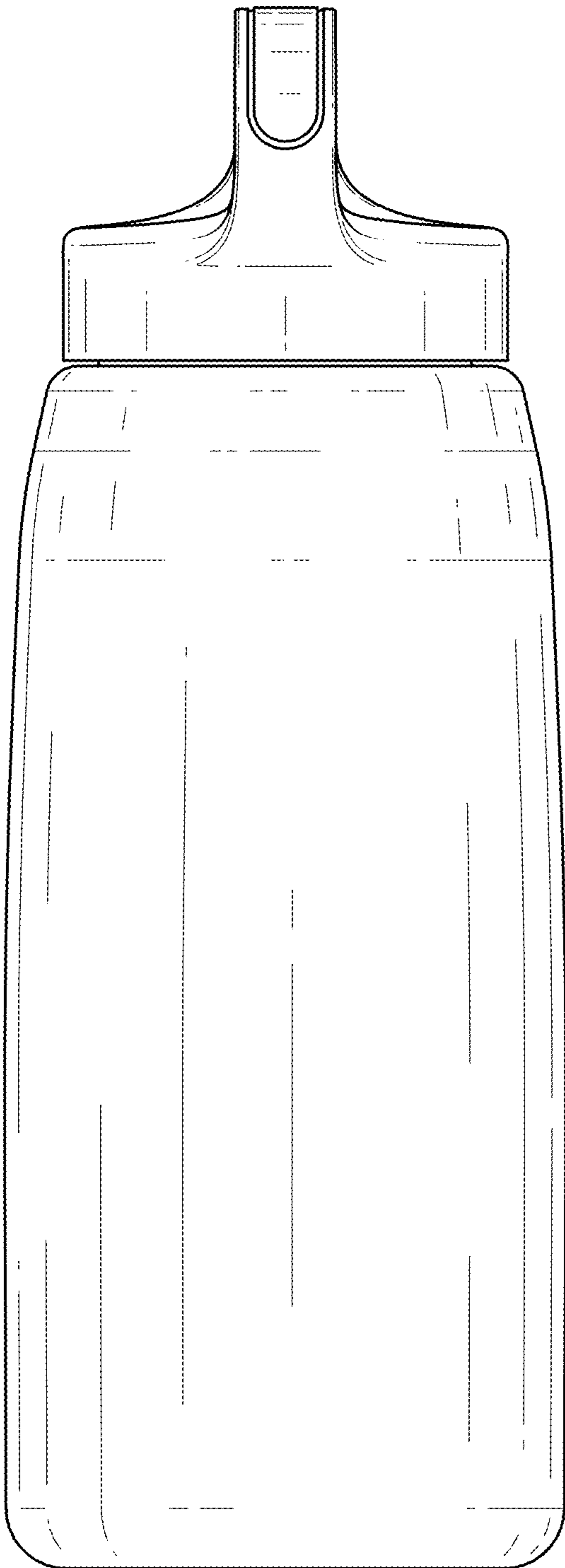


FIG. 3

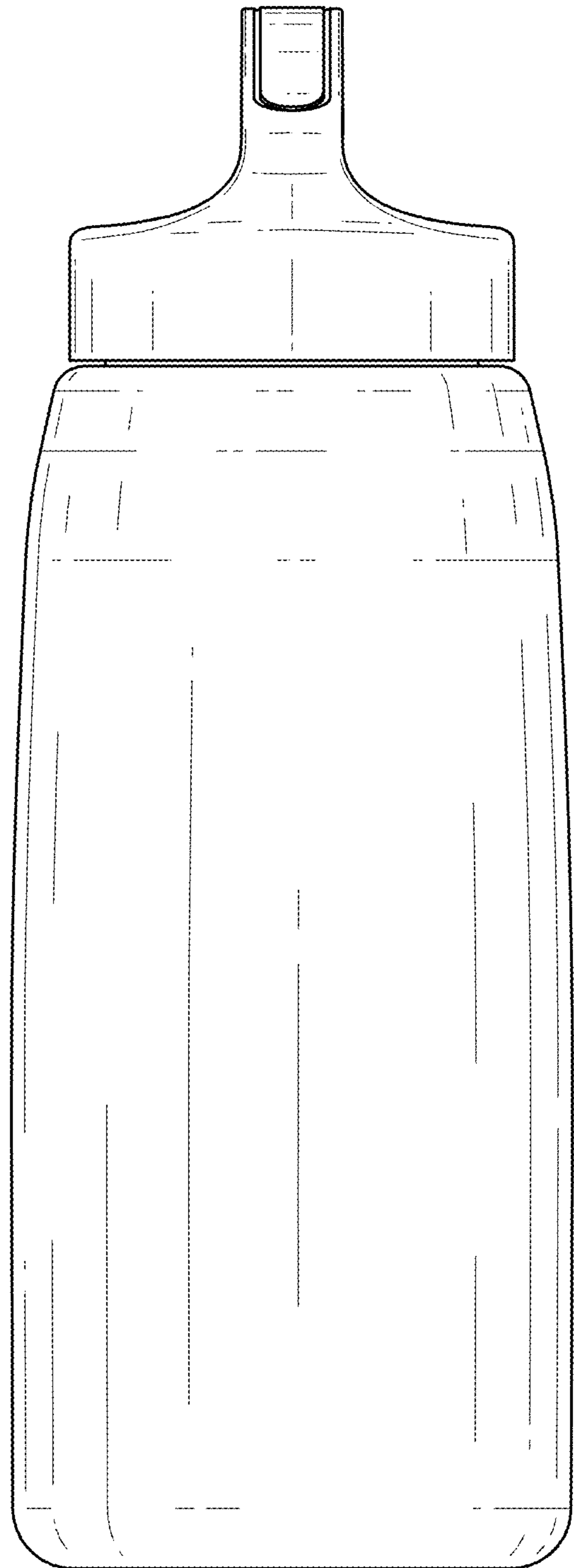


FIG. 4

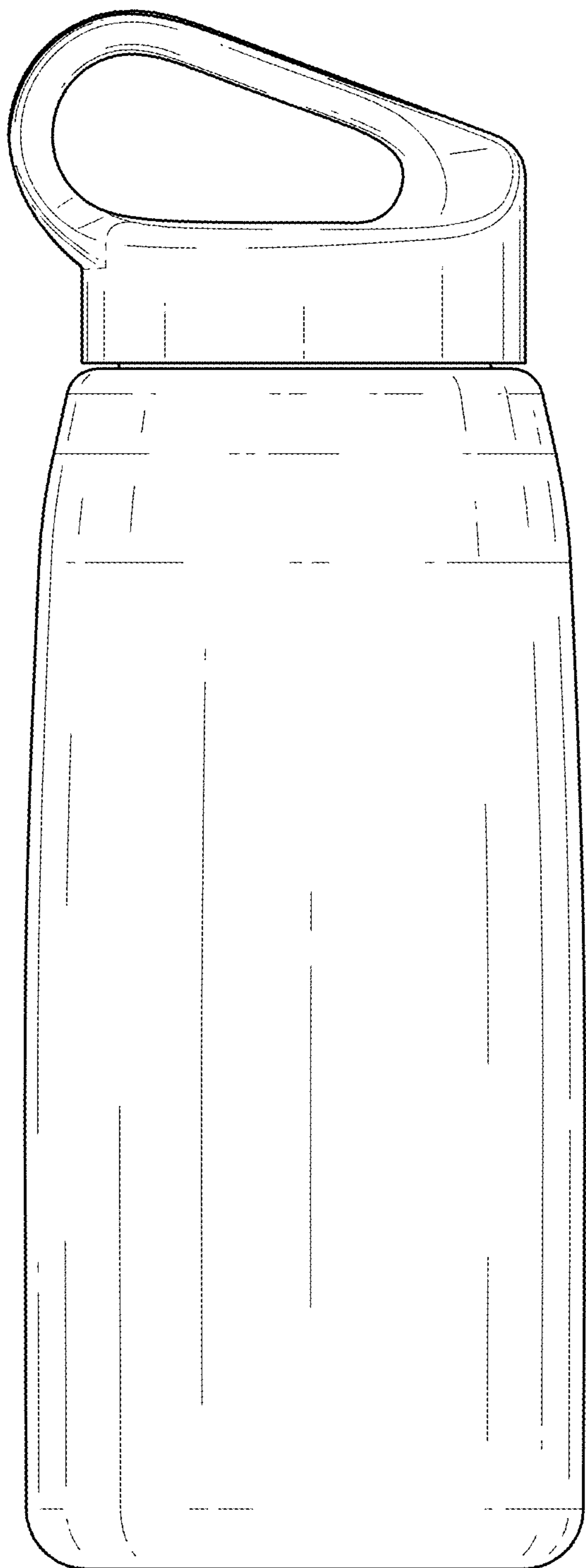


FIG. 5

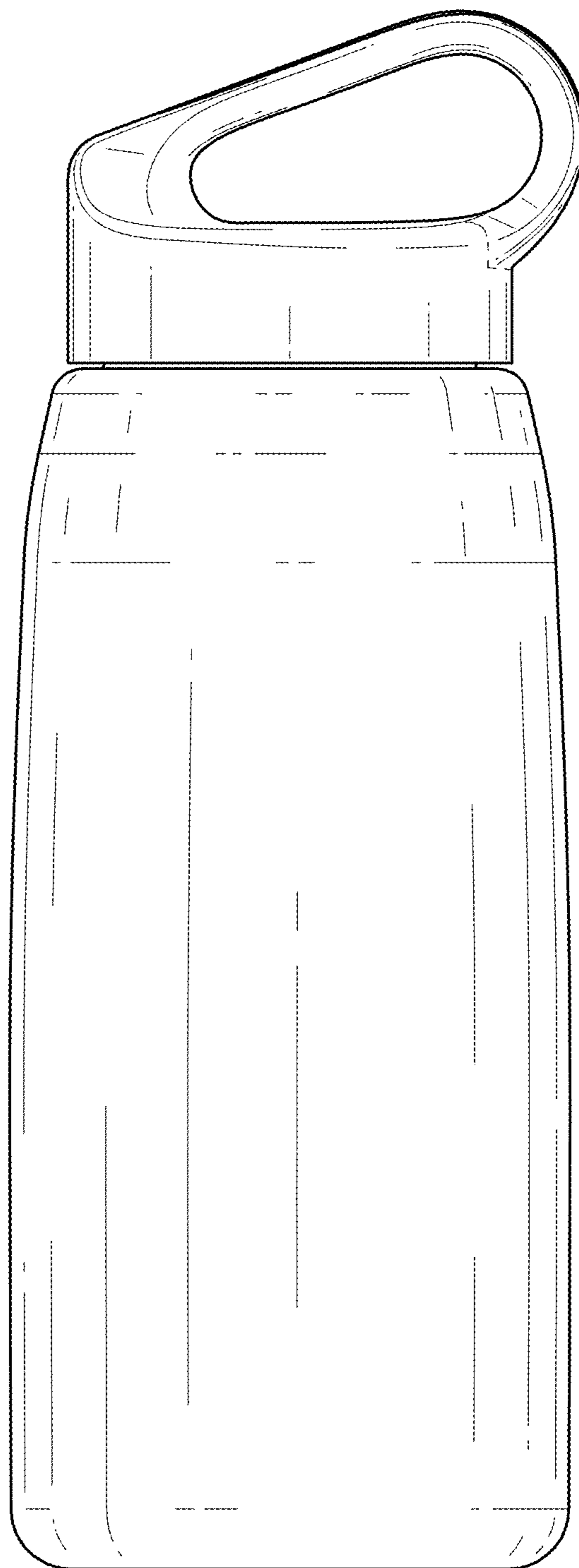


FIG. 6

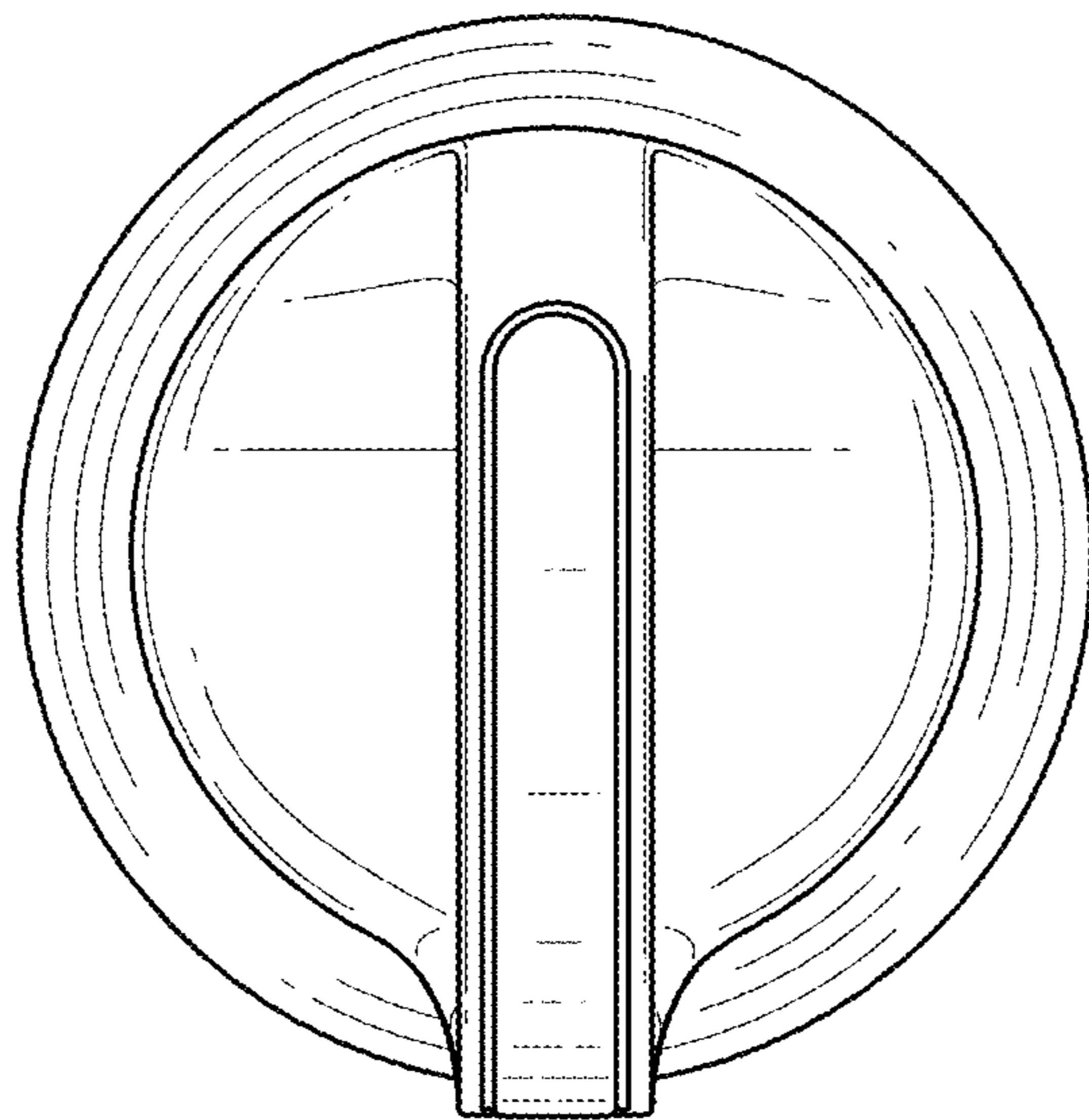


FIG. 7

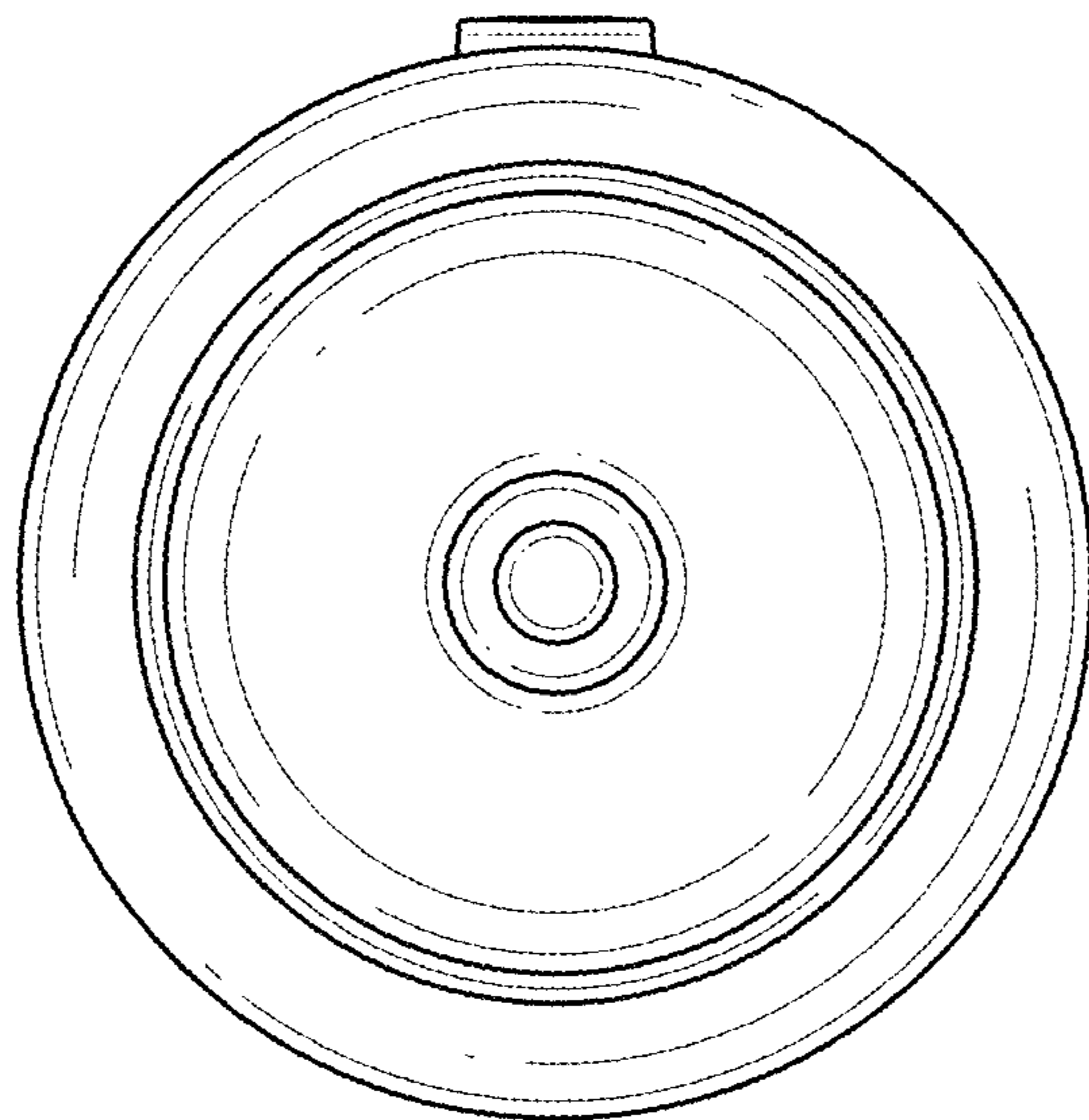


FIG. 8

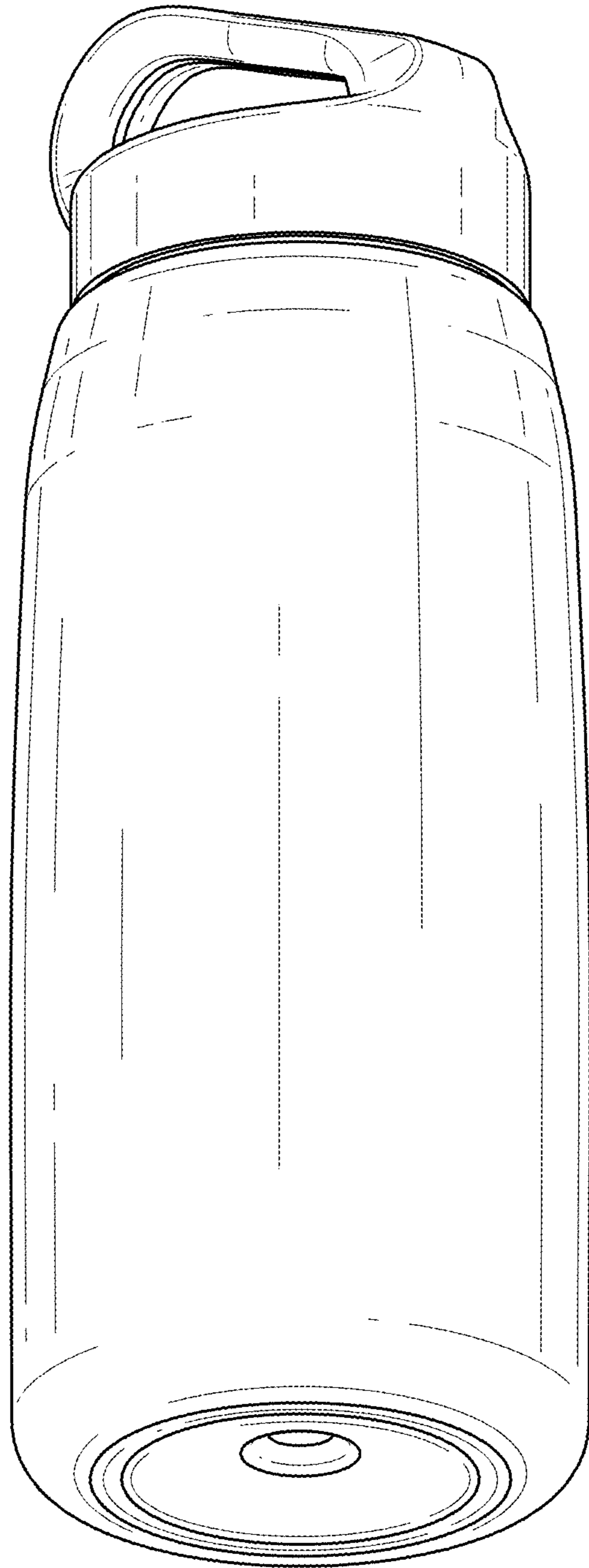


FIG. 9