



US00D923407S

(12) **United States Design Patent**
McCready et al.

(10) **Patent No.:** **US D923,407 S**
(45) **Date of Patent:** **** Jun. 29, 2021**

(54) **BEVERAGE CONTAINER WITH CLOSURE**

(71) Applicant: **CAMELBAK PRODUCTS, LLC**,
Petaluma, CA (US)

(72) Inventors: **Aaron J. McCready**, Tahoe City, CA
(US); **Maria M. Bujalska**, San
Francisco, CA (US)

(73) Assignee: **CamelBak Products, LLC**, Petaluma,
CA (US)

(**) Term: **15 Years**

(21) Appl. No.: **29/741,857**

(22) Filed: **Jul. 16, 2020**

Related U.S. Application Data

(60) Continuation of application No. 29/722,288, filed on
Jan. 28, 2020, now Pat. No. Des. 893,259, which is a
continuation of application No. 29/704,329, filed on
Sep. 4, 2019, now Pat. No. Des. 876,895, which is a
division of application No. 29/649,627, filed on May
31, 2018, now Pat. No. Des. 864,658.

(51) **LOC (13) Cl.** **07-01**

(52) **U.S. Cl.**
USPC **D7/510; D7/629**

(58) **Field of Classification Search**
USPC D7/392, 392.1, 510, 629; D9/452, 453,
D9/454, 435, 447, 449
CPC A47G 21/18; A61J 7/0038; B65D
2517/0049
See application file for complete search history.

(56) **References Cited**

U.S. PATENT DOCUMENTS

D651,852 S * 1/2012 George D7/510
D690,556 S * 10/2013 Boroski D7/510
D750,438 S * 3/2016 Passot D7/529
9,694,953 B2 * 7/2017 Meyers A47G 19/2288

10,358,270 B1 * 7/2019 McCready B65D 47/263
D864,658 S * 10/2019 McCready D7/392.1
D873,617 S * 1/2020 Egorov D7/529
D876,895 S * 3/2020 McCready D7/510

(Continued)

Primary Examiner — Karen S Acker

Assistant Examiner — Steven B Reinholdt, Jr.

(74) *Attorney, Agent, or Firm* — Amardeep S. Grewal;
Gerard M. Donovan; Reed Smith LLP

(57) **CLAIM**

The ornamental design for a beverage container with clo-
sure, as shown and described.

DESCRIPTION

FIG. 1 is a perspective view of a beverage container with
closure showing the design.

FIG. 2 is a side elevation view of the beverage container
with closure of FIG. 1.

FIG. 3 is another side elevation view of the beverage
container with closure of FIG. 1.

FIG. 4 is another side elevation view of the beverage
container with closure of FIG. 1.

FIG. 5 is another side elevation view of the beverage
container with closure of FIG. 1.

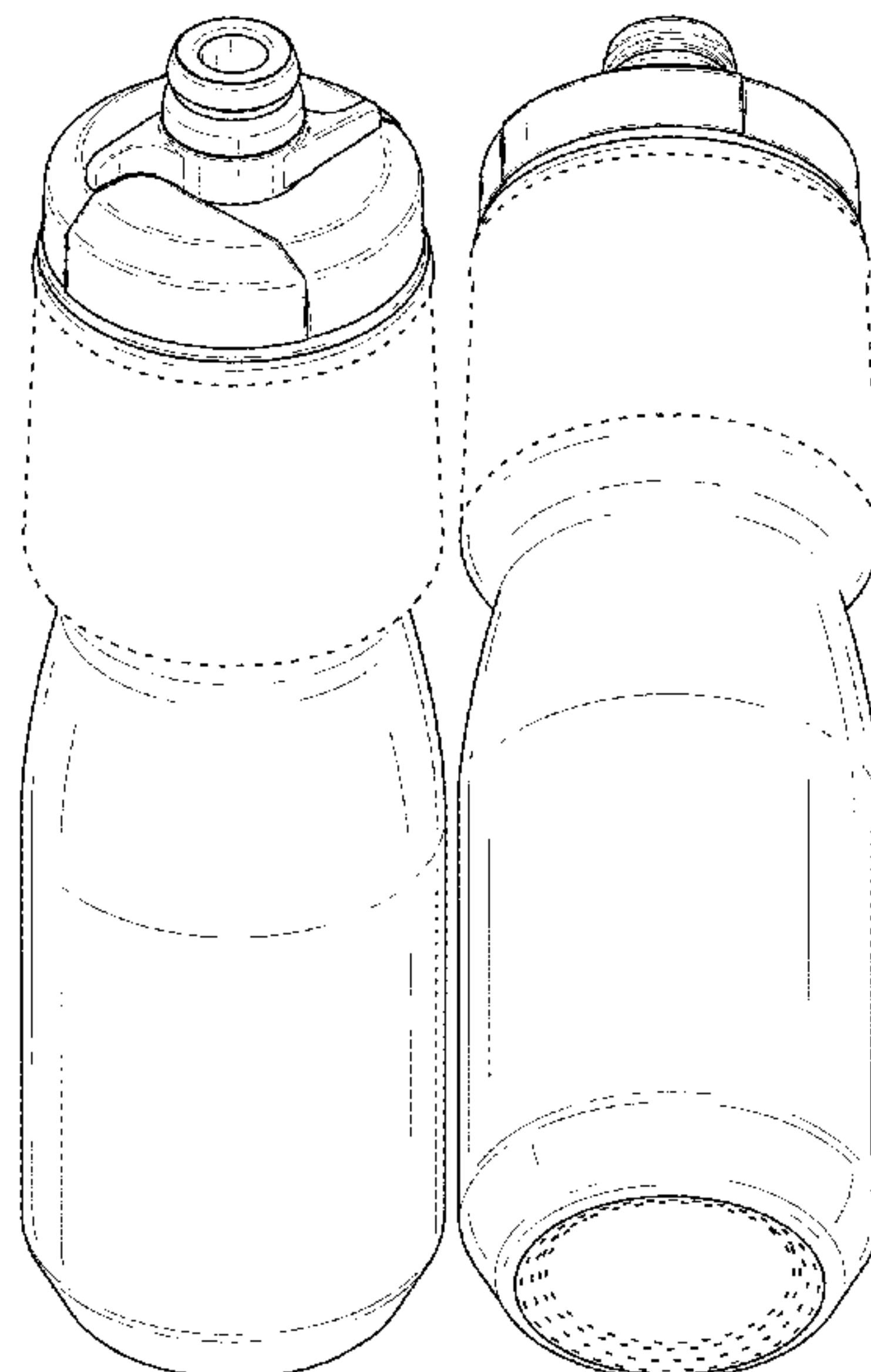
FIG. 6 is a top plan view of the beverage container with
closure of FIG. 1.

FIG. 7 is a bottom plan view of the beverage container with
closure of FIG. 1; and,

FIG. 8 is another perspective view of the beverage container
with closure of FIG. 1.

The dashed lines in the drawings illustrate portions of the
beverage container with closure that form no part of the
claimed design. The shading lines shown in the drawings
represent the approximate three dimensional contour of the
claimed design and are not intended to indicate surface
decoration.

1 Claim, 5 Drawing Sheets



(56)

References Cited

U.S. PATENT DOCUMENTS

D893,259 S * 8/2020 McCready D7/510
2009/0236341 A1 * 9/2009 McKinney A47G 19/2266
220/375

* cited by examiner

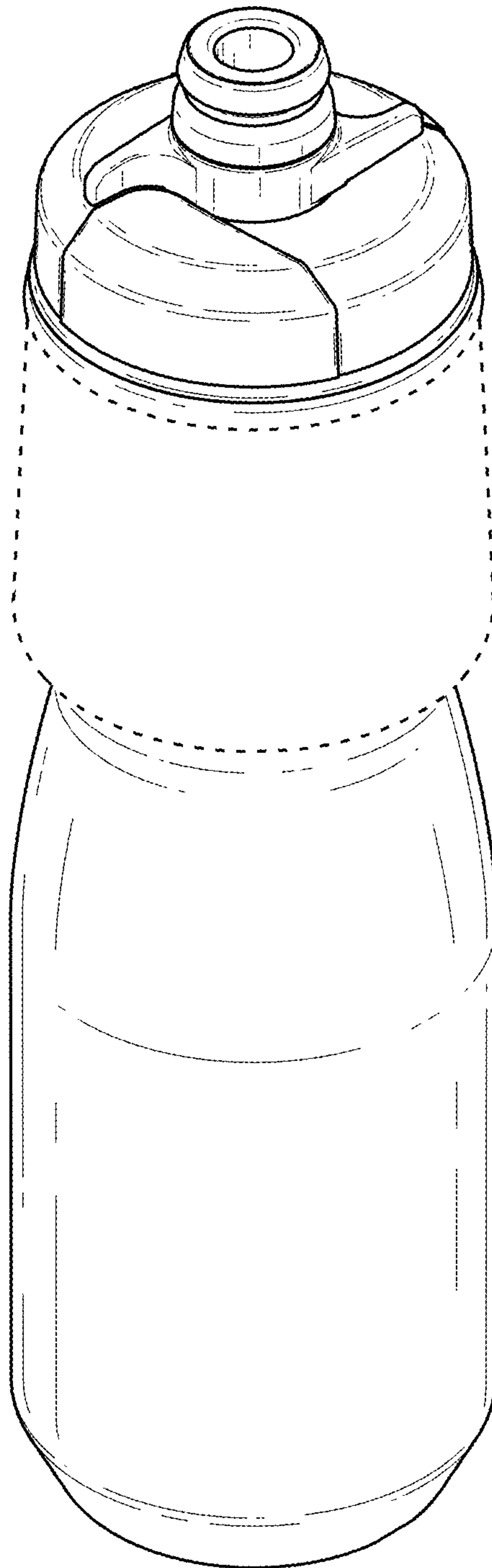


FIG. 1

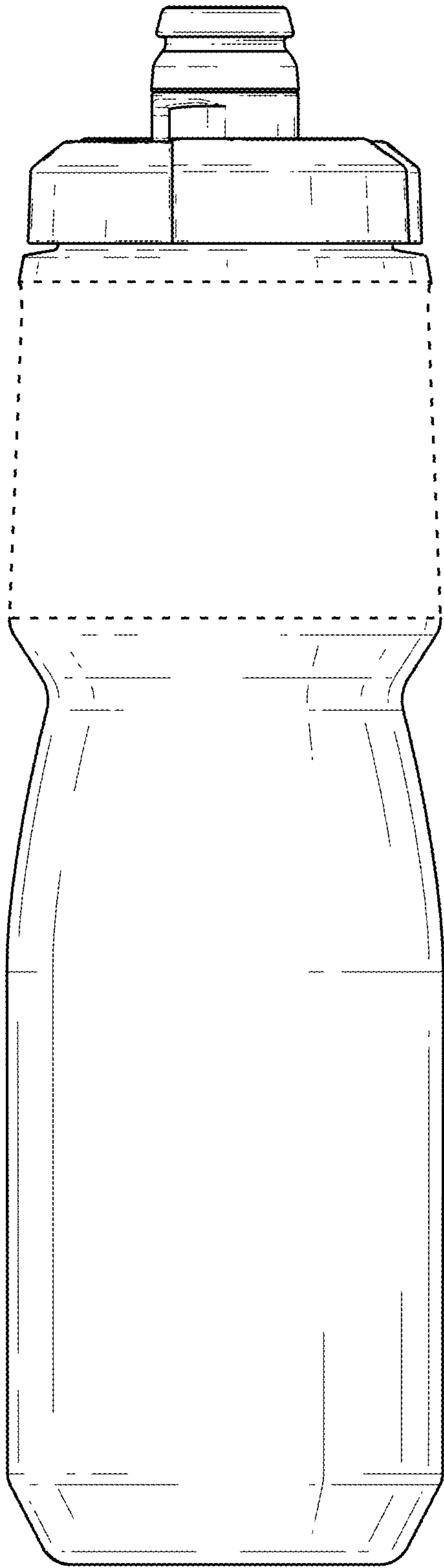


FIG. 2

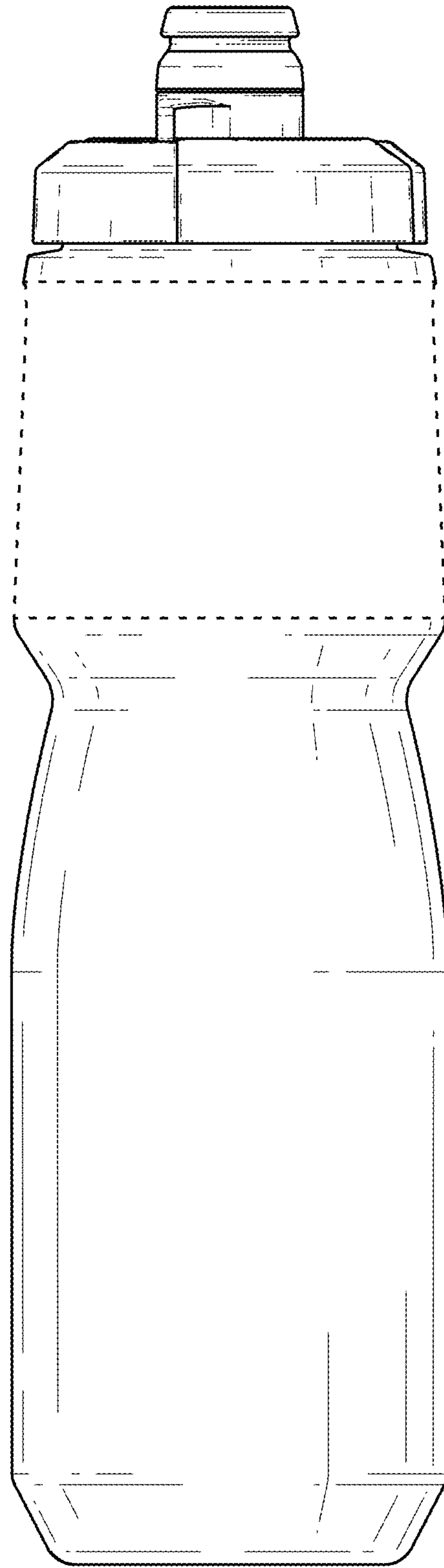


FIG. 3

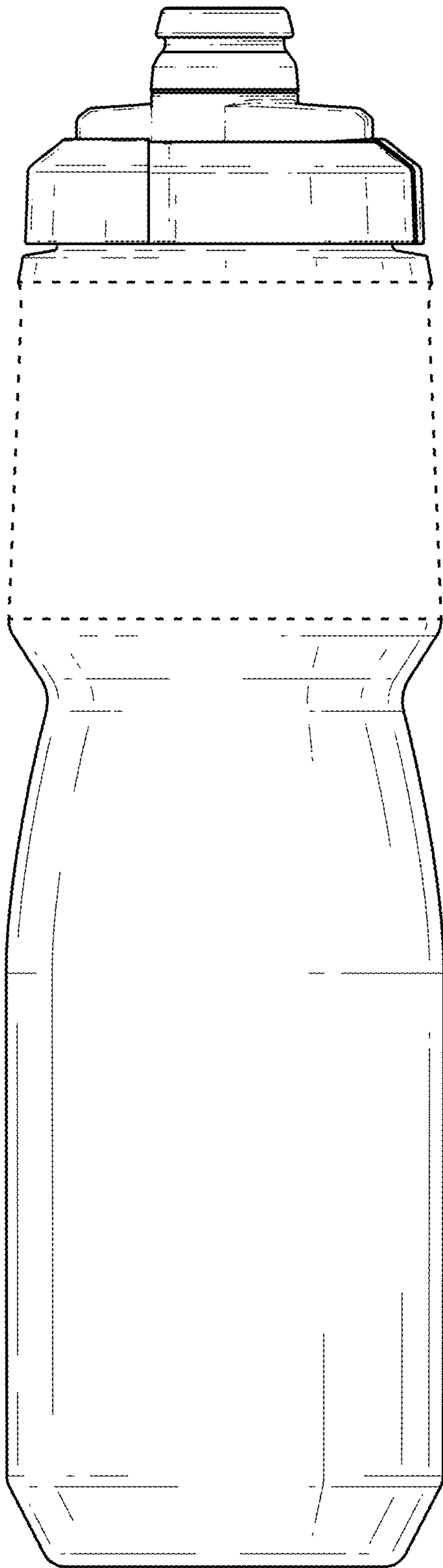


FIG. 4

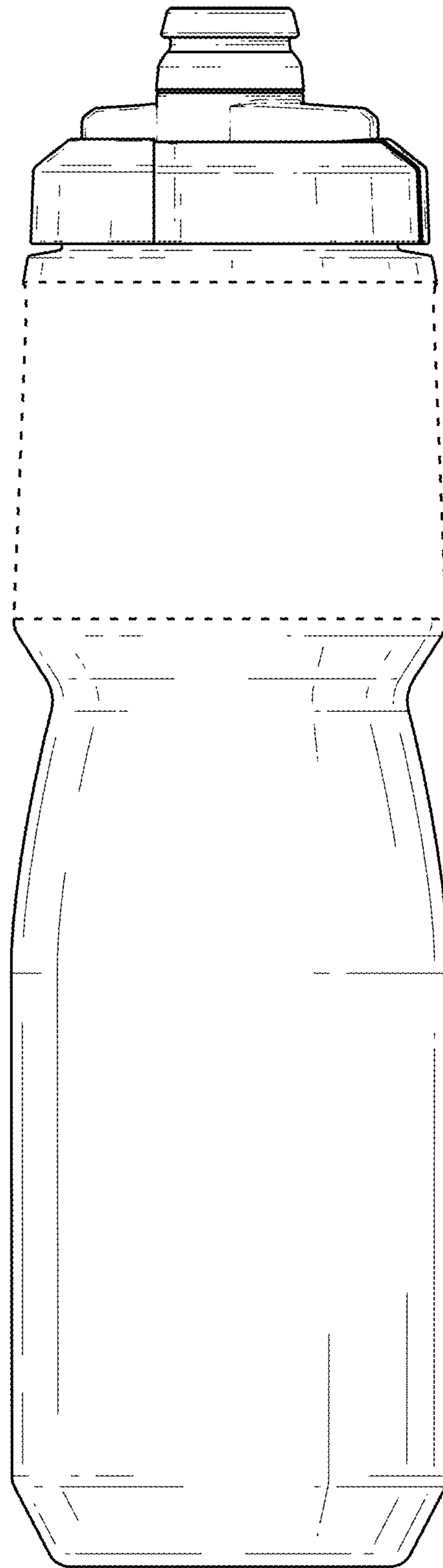


FIG. 5

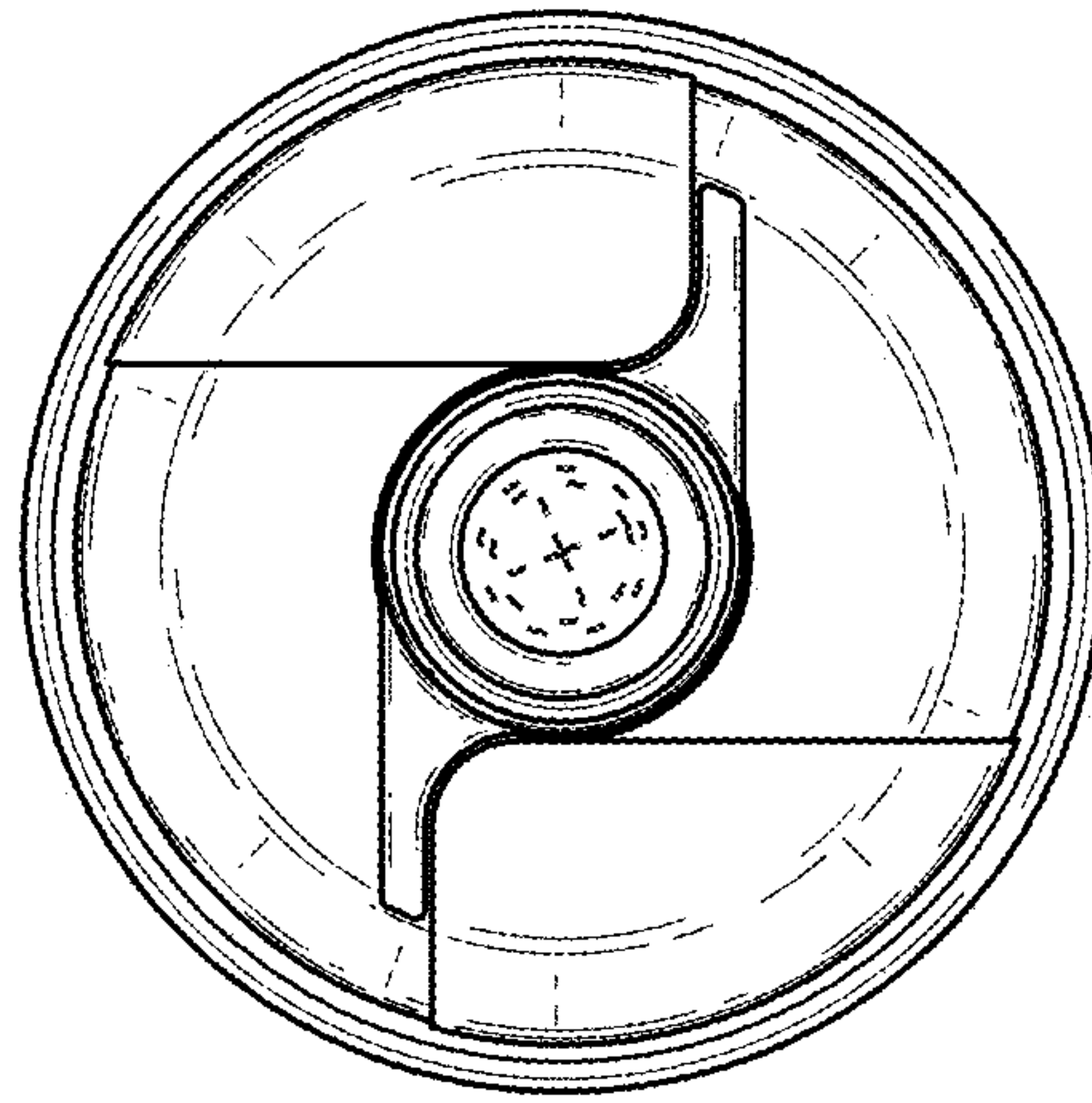


FIG. 6

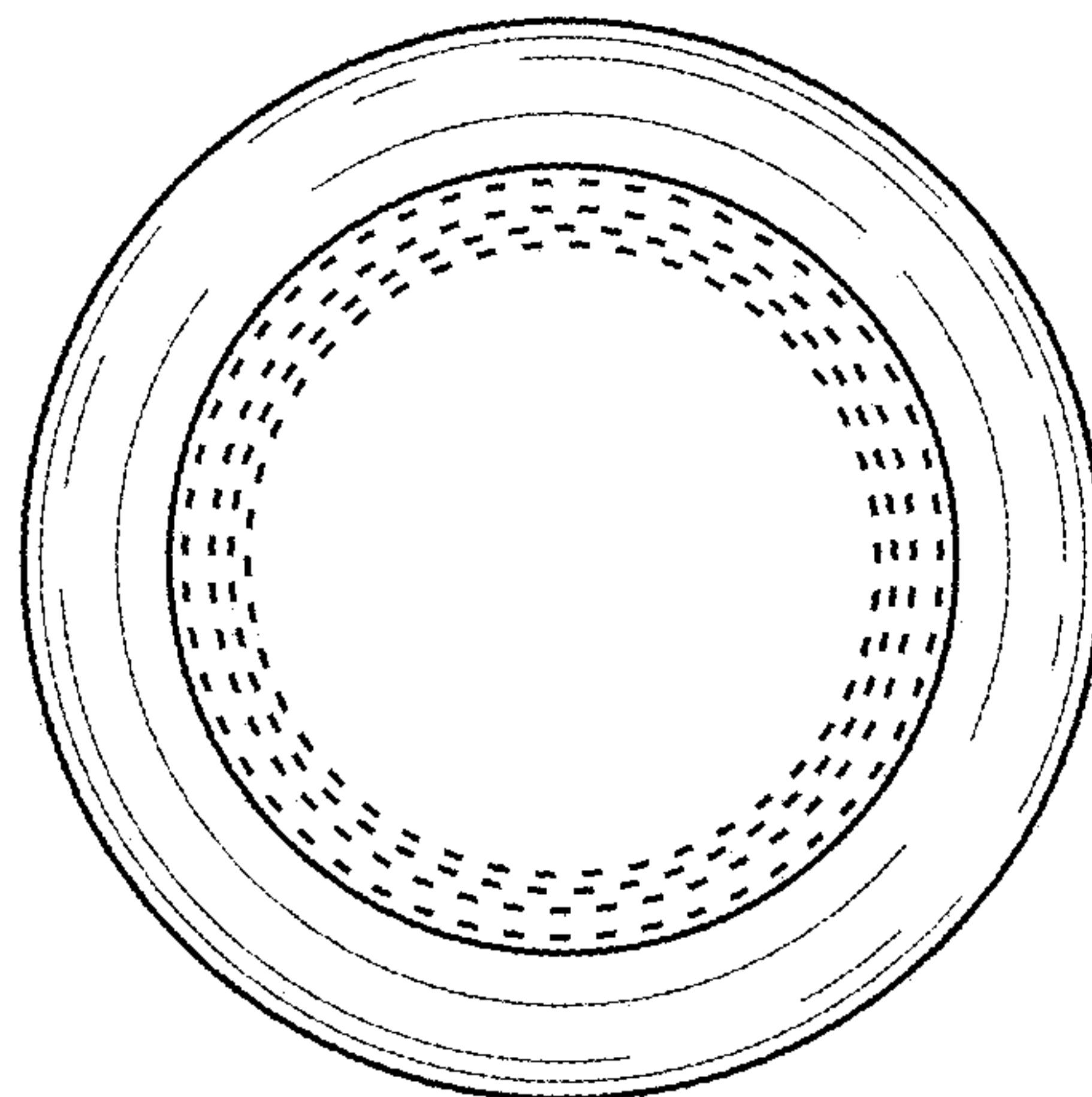


FIG. 7

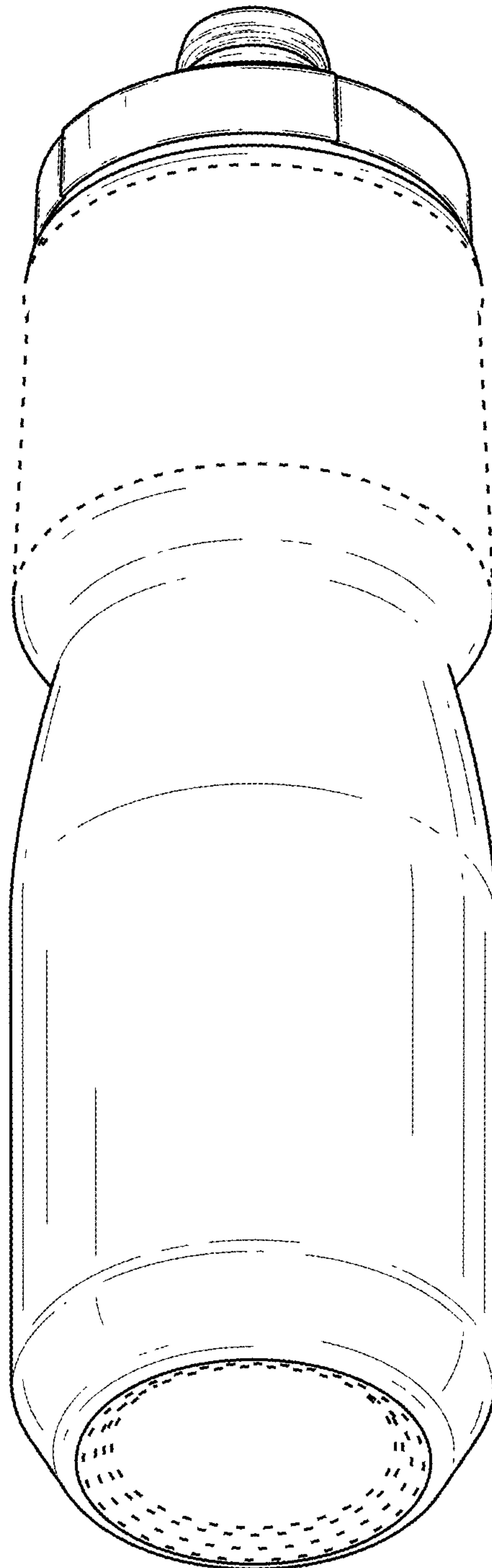


FIG. 8