



US00D923406S

(12) **United States Design Patent** (10) **Patent No.:** **US D923,406 S**
Tsigounis (45) **Date of Patent:** **** Jun. 29, 2021**

(54) **WATER AND BEVERAGE MAKING BOTTLE**

(71) Applicant: **Mark A Tsigounis**, Truckee, CA (US)

(72) Inventor: **Mark A Tsigounis**, Truckee, CA (US)

(73) Assignee: **HIBEAR, INC.**, Reno, NV (US)

(**) Term: **15 Years**

(21) Appl. No.: **29/644,679**

(22) Filed: **May 4, 2018**

(51) **LOC (13) Cl.** **07-01**

(52) **U.S. Cl.**

USPC **D7/507**; D7/396.2

(58) **Field of Classification Search**

USPC D7/507, 509, 510, 511, 523, 532, 300,
D7/300.1, 313, 531, 534, 536, 608;
D9/500, 501, 502, 503, 504, 516, 530,
D9/539, 549, 562, 571, 574, 575, 529,
D9/558, 454, 449, 443, 436, 435, 453;
D24/115, 121, 122; D23/366

CPC A47G 19/22; A47G 19/2288; A47G
19/2205; A47J 43/27; A47J 41/0077;
A47J 41/0088

See application file for complete search history.

(56) **References Cited**

U.S. PATENT DOCUMENTS

6,095,378 A * 8/2000 Potts B65D 83/38
222/402.1
D708,954 S * 7/2014 Barnes D7/511
D743,741 S * 11/2015 Itzhaki D7/510
D768,507 S * 10/2016 Hotell D9/738
D787,886 S * 5/2017 Cerasani D7/300.1
D814,856 S * 4/2018 Kristinik D7/392.1

(Continued)

Primary Examiner — Jae Liang

(74) *Attorney, Agent, or Firm* — Troutman Pepper
Hamilton Sanders LLP

(57) **CLAIM**

The ornamental design for a water and beverage making
bottle, as shown and described.

DESCRIPTION

FIG. 1 is a front elevational view of a water and beverage
making bottle showing my new design;

FIG. 2 is an enlarged top plan view thereof;

FIG. 3 is an enlarged front elevational view thereof with the
lid in an alternative position;

FIG. 4 is an enlarged top plan view of FIG. 3;

FIG. 5 is an enlarged front elevational view thereof with the
lid removed for clarity of disclosure;

FIG. 6 is an enlarged top plan view of FIG. 5;

FIG. 7 is an enlarged front elevational view thereof with the
lid and base sleeve removed for clarity of disclosure;

FIG. 8 is an enlarged top plan view of FIG. 7;

FIG. 9 is an enlarged front elevational view of the lid portion
shown separately for clarity of disclosure;

FIG. 10 is an enlarged top plan view of FIG. 9;

FIG. 11 is an enlarged front elevational view of the base
sleeve shown separately for clarity of disclosure;

FIG. 12 is an enlarged top plan view of FIG. 11;

FIG. 13 is an enlarged front elevational view of the filter
basket portion shown separately for clarity of disclosure;

FIG. 14 is an enlarged top plan view of FIG. 13;

FIG. 15 is an enlarged front elevational view of the thermal
bulb portion shown separately for clarity of disclosure;

FIG. 16 is an enlarged top plan view of FIG. 15;

FIG. 17 is an enlarged front elevational view of the strainer
platform portion shown separately for clarity of disclosure;

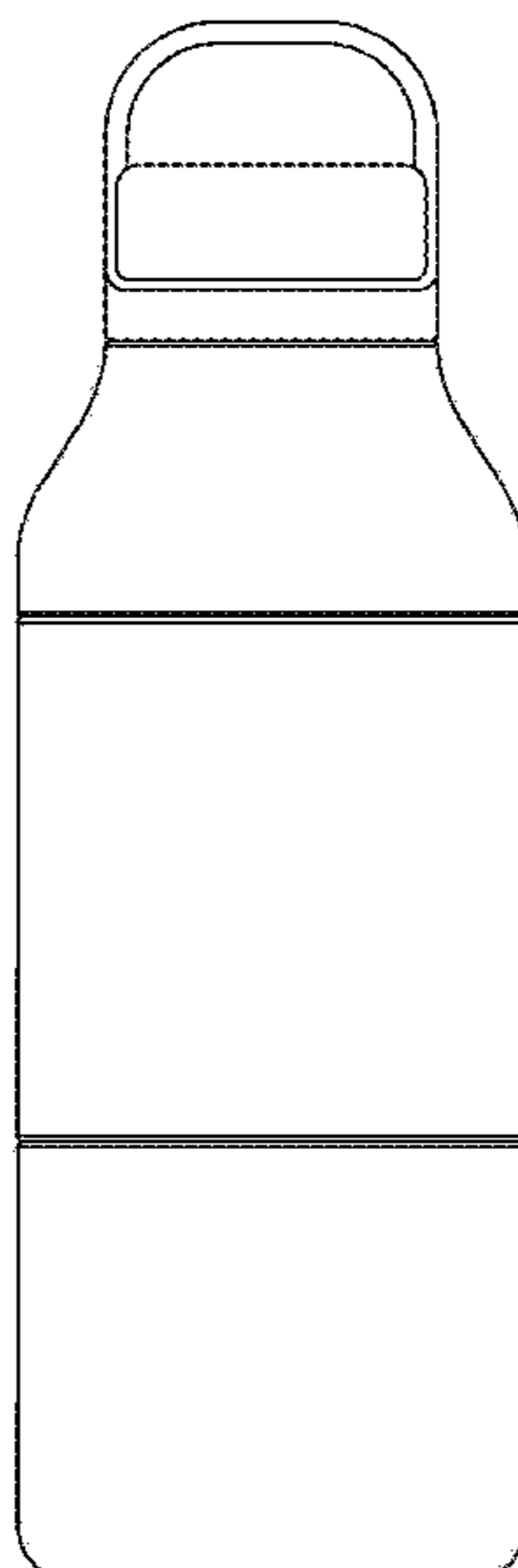
FIG. 18 is an enlarged top plan view of FIG. 17;

FIG. 19 is an enlarged front elevational view of the top cap
portion shown separately for clarity of disclosure;

FIG. 20 is an enlarged top plan view of FIG. 19; and,

FIG. 21 is a reduced exploded view thereof.

1 Claim, 11 Drawing Sheets



(56)

References Cited

U.S. PATENT DOCUMENTS

D816,493	S *	5/2018	Seiders	D9/443
D830,174	S *	10/2018	Takezawa	D9/450
D830,784	S *	10/2018	Moore	D7/608
D846,355	S *	4/2019	Pisarevsky	D7/511
10,244,892	B2 *	4/2019	Alexander	A47G 23/04
10,251,468	B1 *	4/2019	Moore	A45F 3/18
D852,001	S *	6/2019	Campbell	D7/608
D862,228	S *	10/2019	Yao	D9/443
D883,041	S *	5/2020	Park	D7/608
D892,623	S *	8/2020	Aboabdo	D9/503
D908,433	S *	1/2021	Sapire	D7/531
D915,837	S *	4/2021	Hume	D7/665
2010/0084362	A1 *	4/2010	Letchinger	B65D 11/04 215/200
2011/0011823	A1 *	1/2011	Moore	A47G 19/2266 215/316
2011/0204048	A1 *	8/2011	Carino	B65D 21/083 220/4.03
2013/0140315	A1 *	6/2013	Ni	A47G 19/16 220/592.17
2016/0045047	A1 *	2/2016	Healy	A47G 19/2288 220/592.16

* cited by examiner

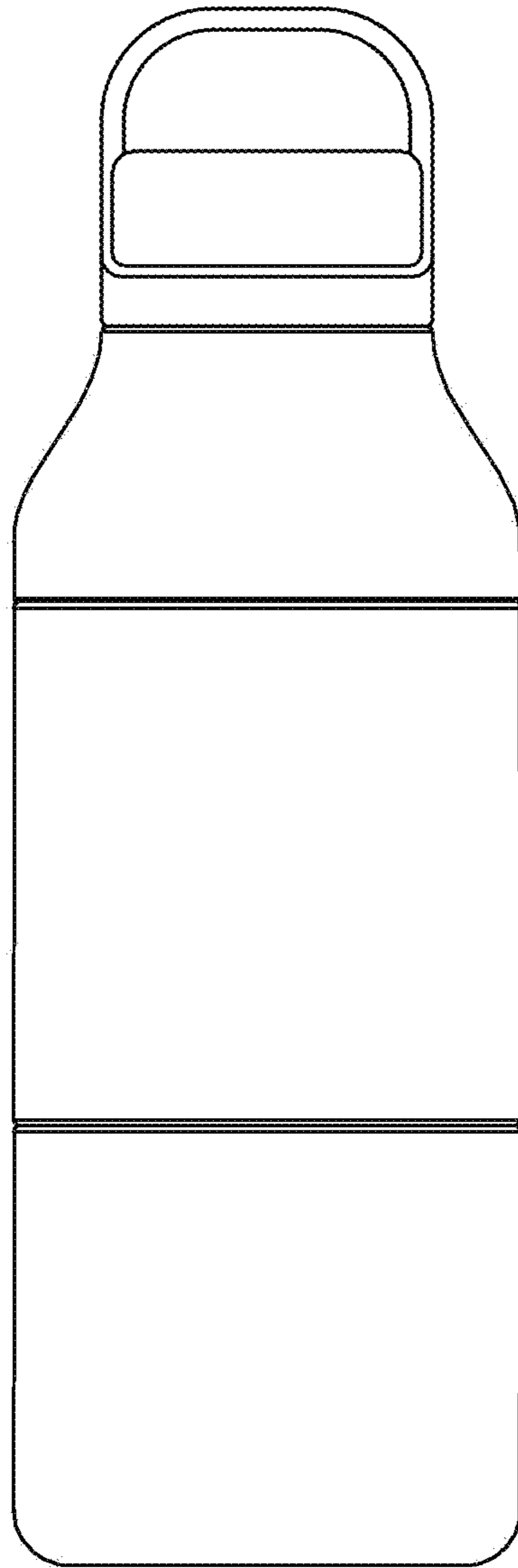


FIG. 1

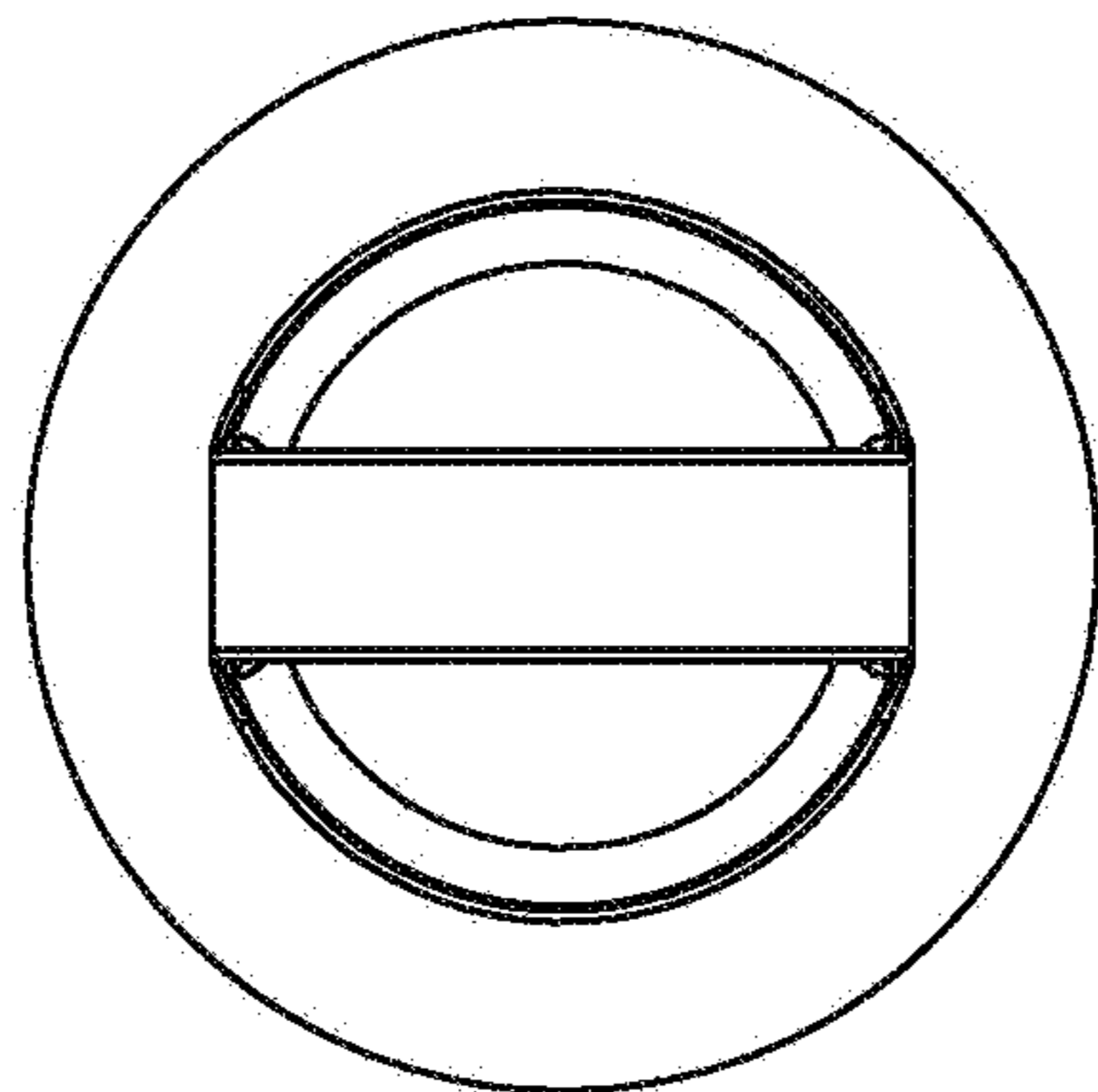


FIG. 2

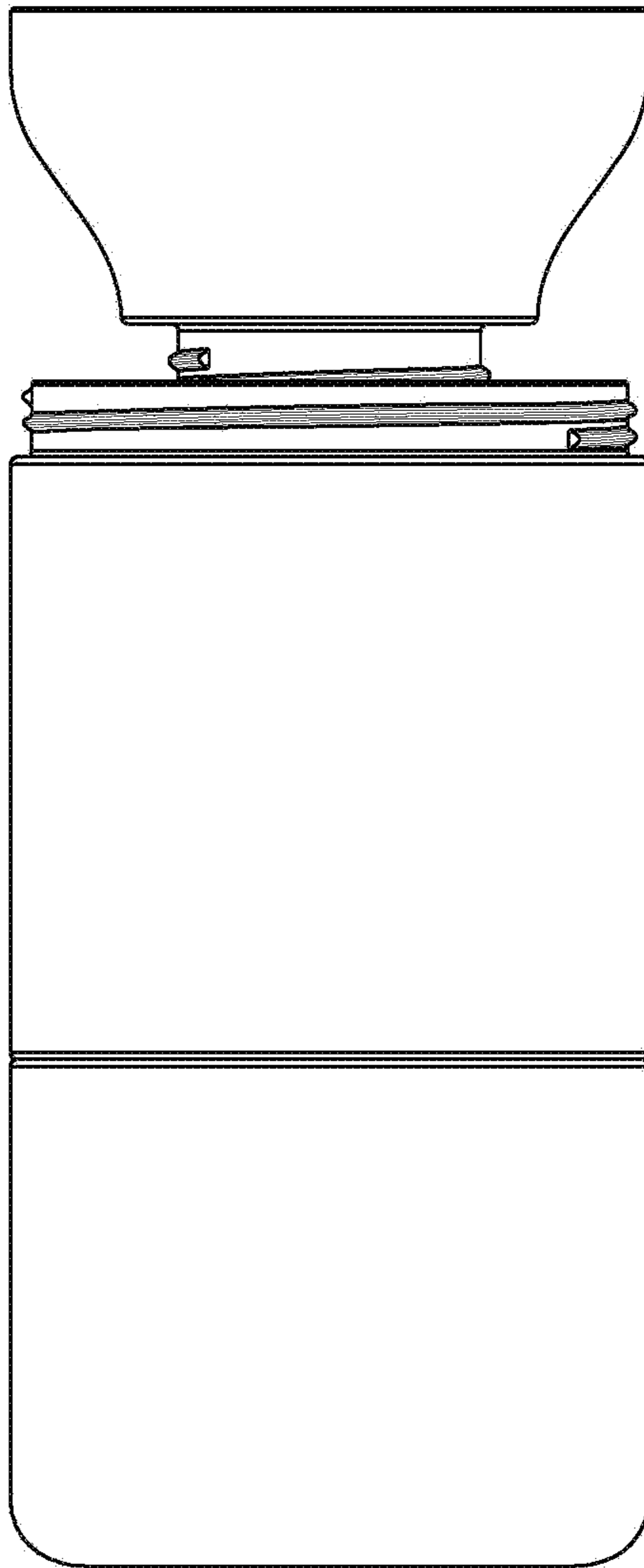


FIG. 3

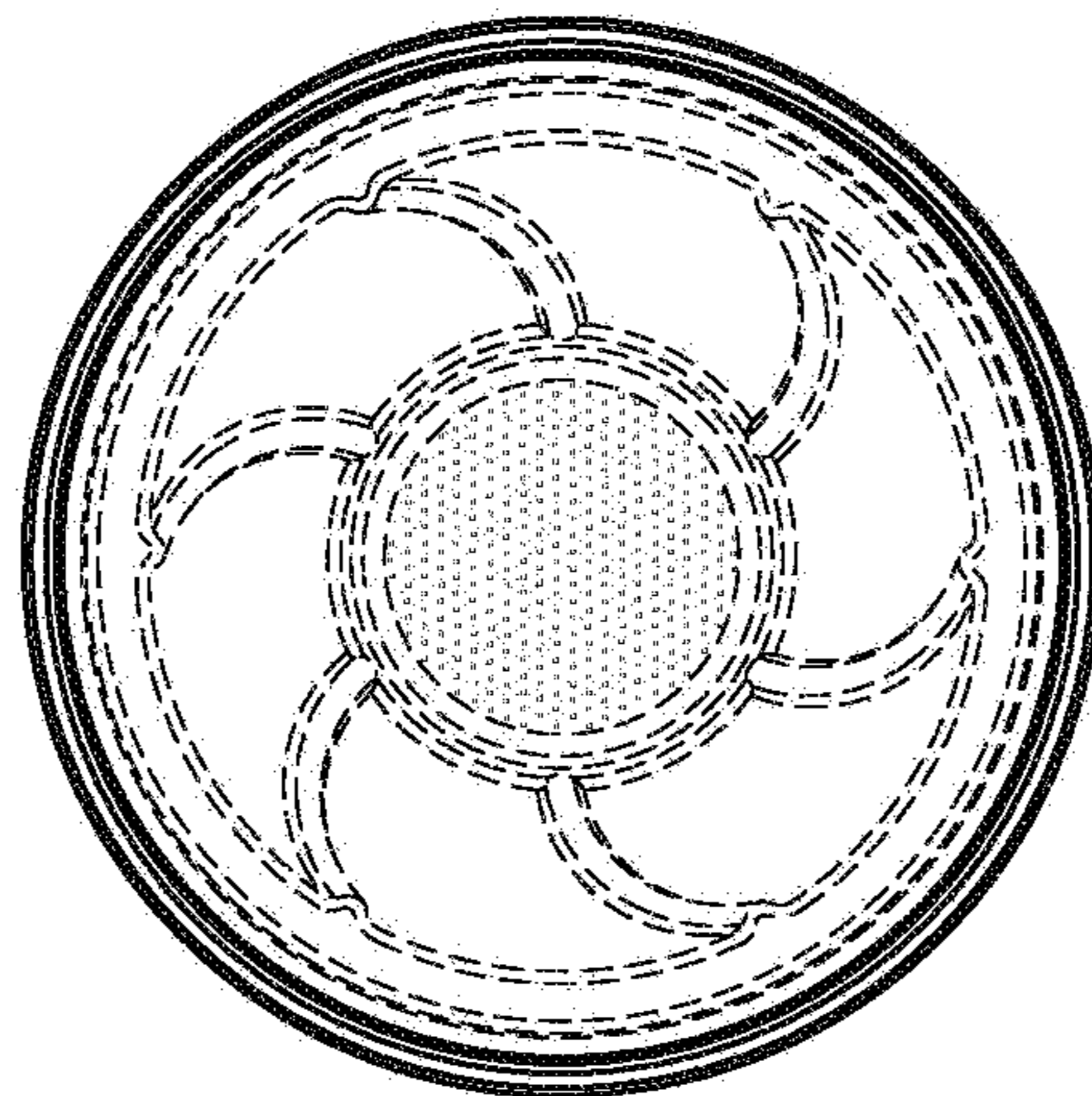


FIG. 4

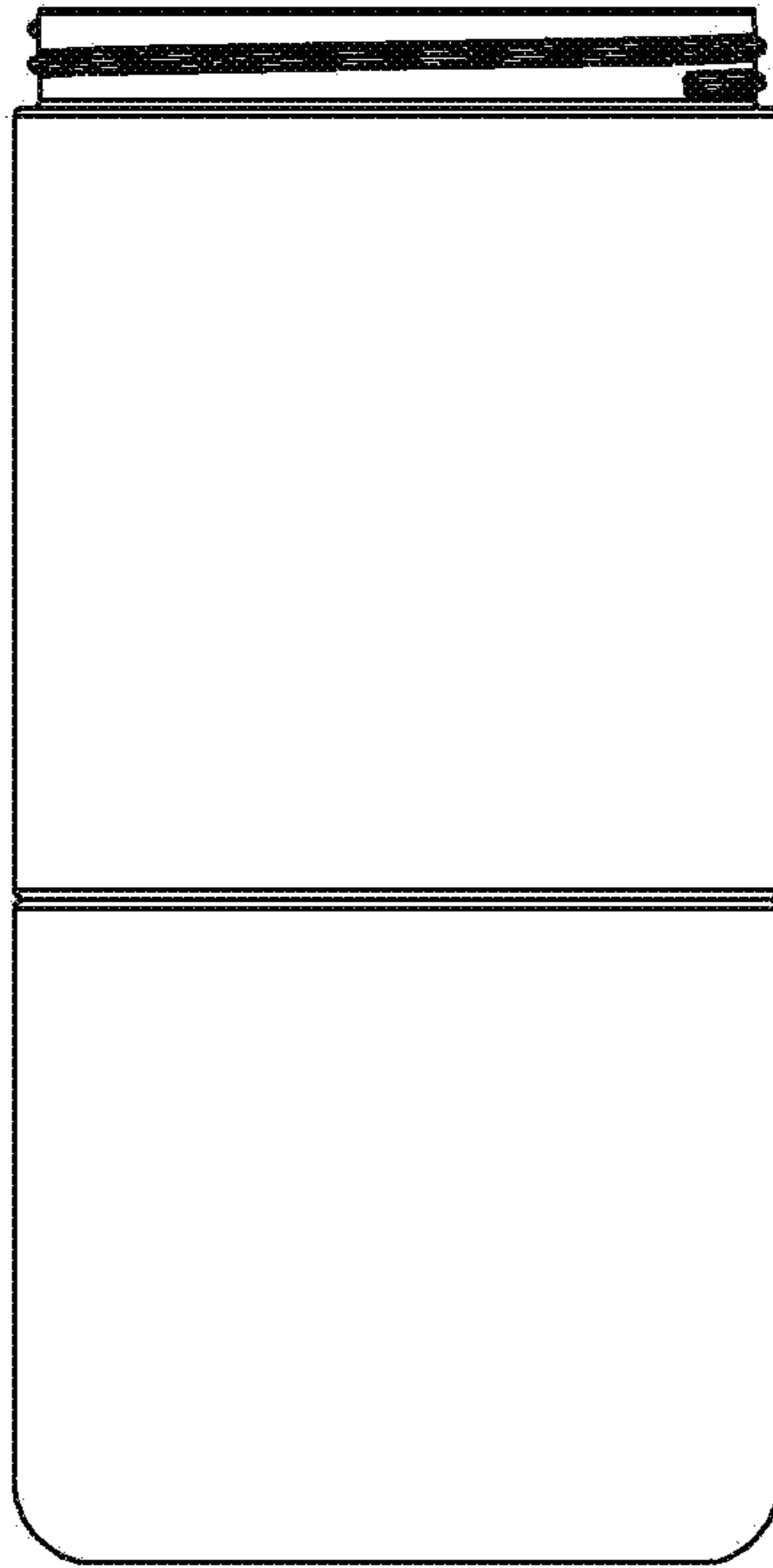


FIG. 5

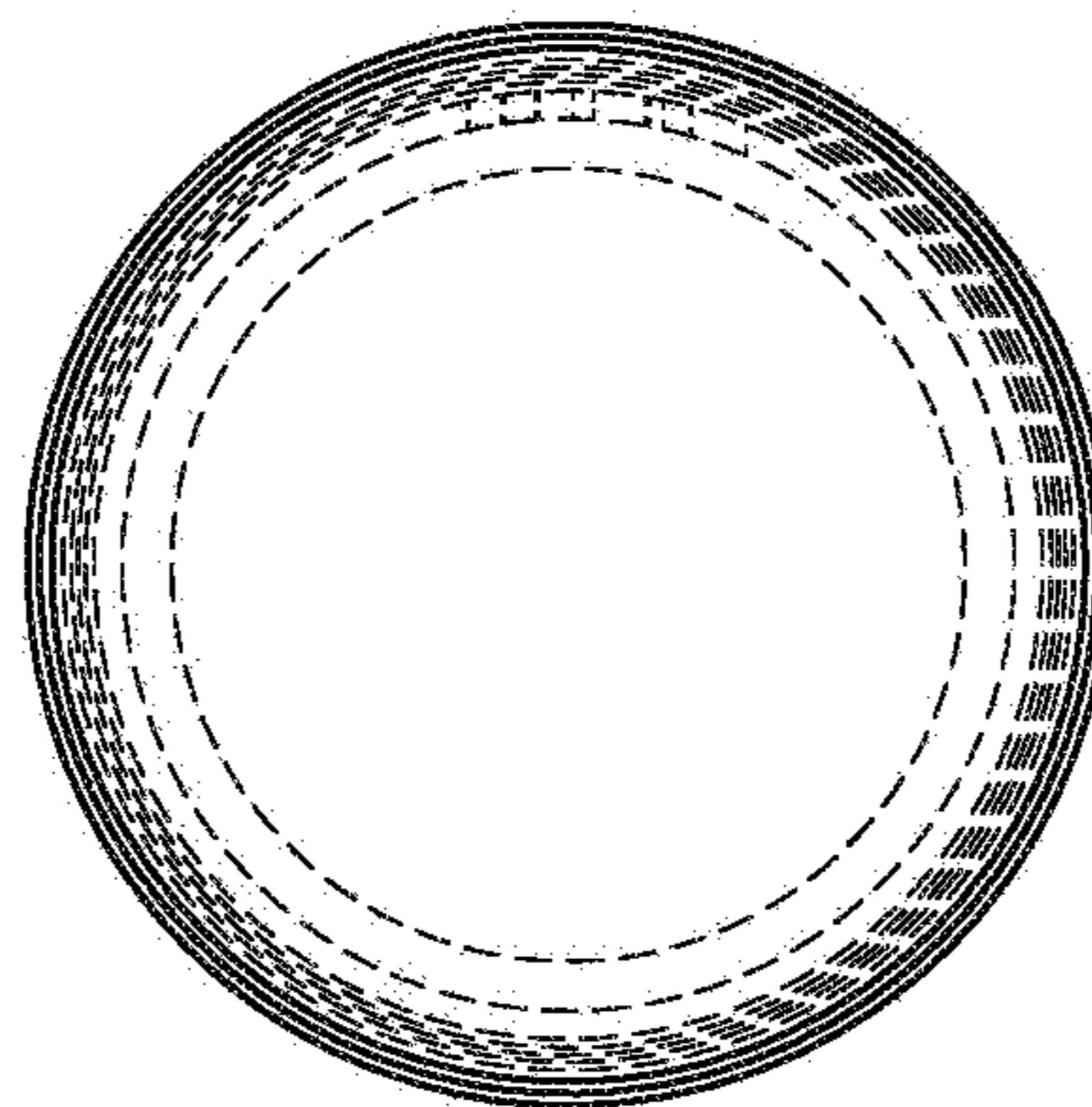


FIG. 6

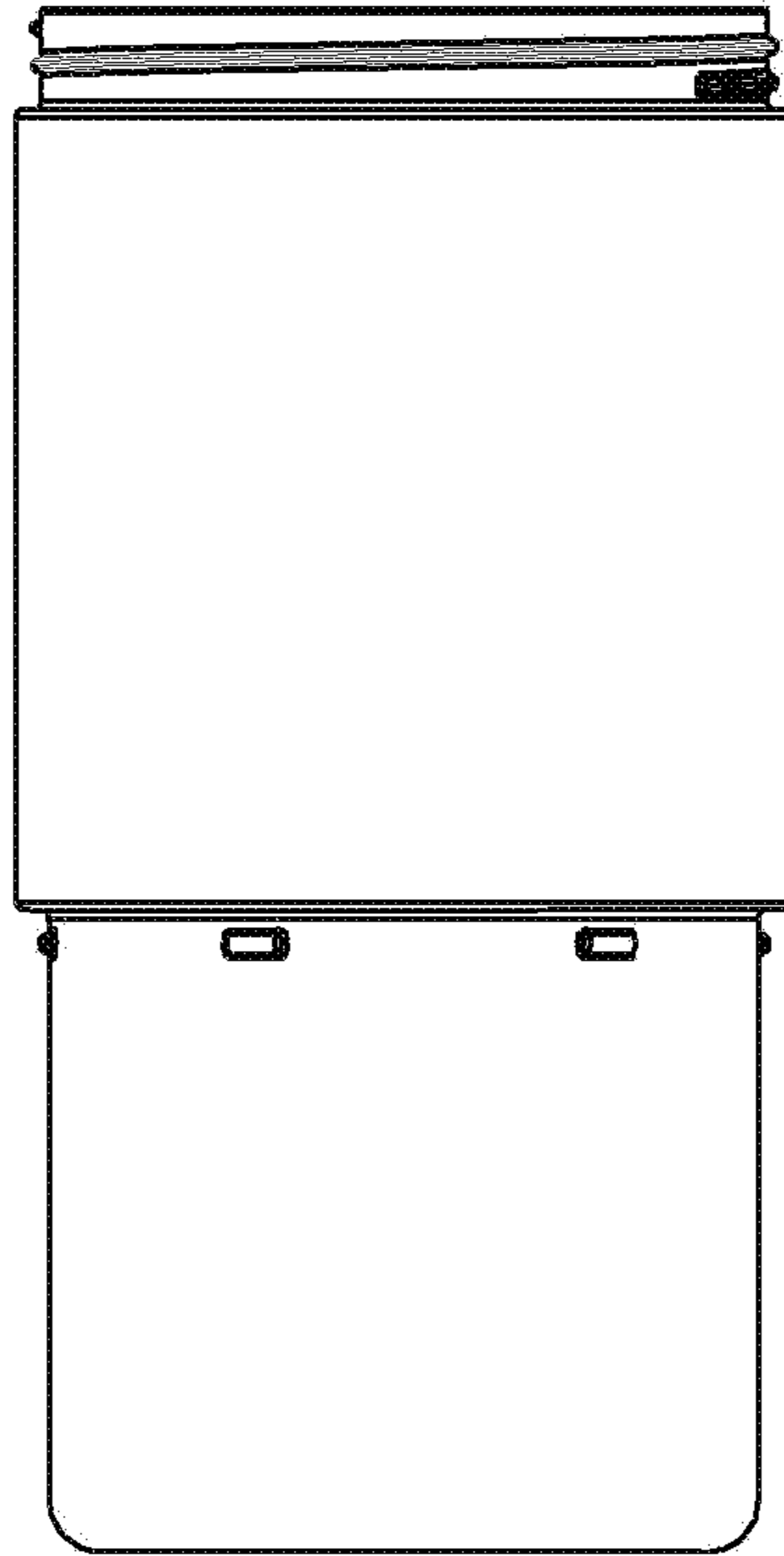


FIG. 7

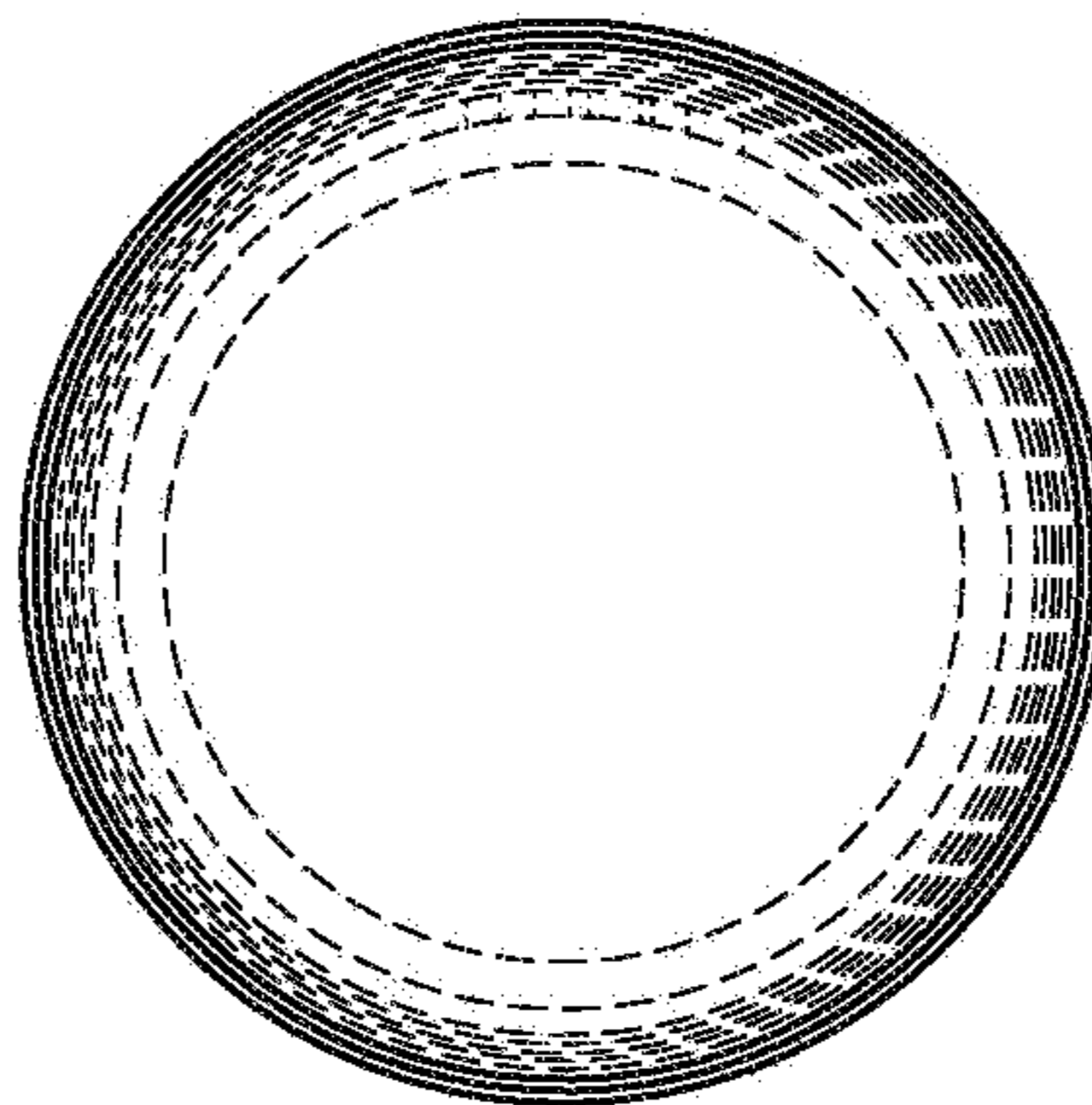


FIG. 8

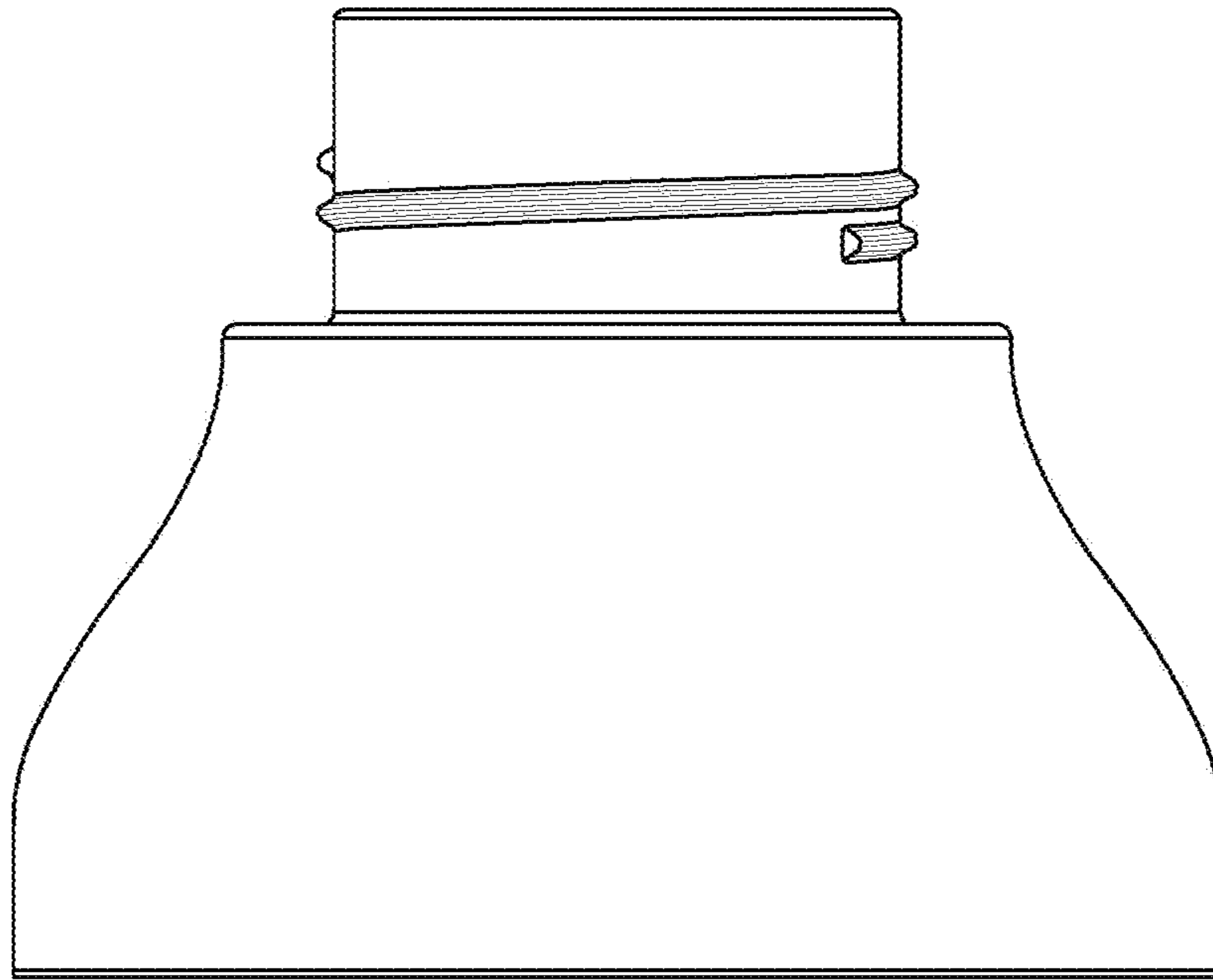


FIG. 9

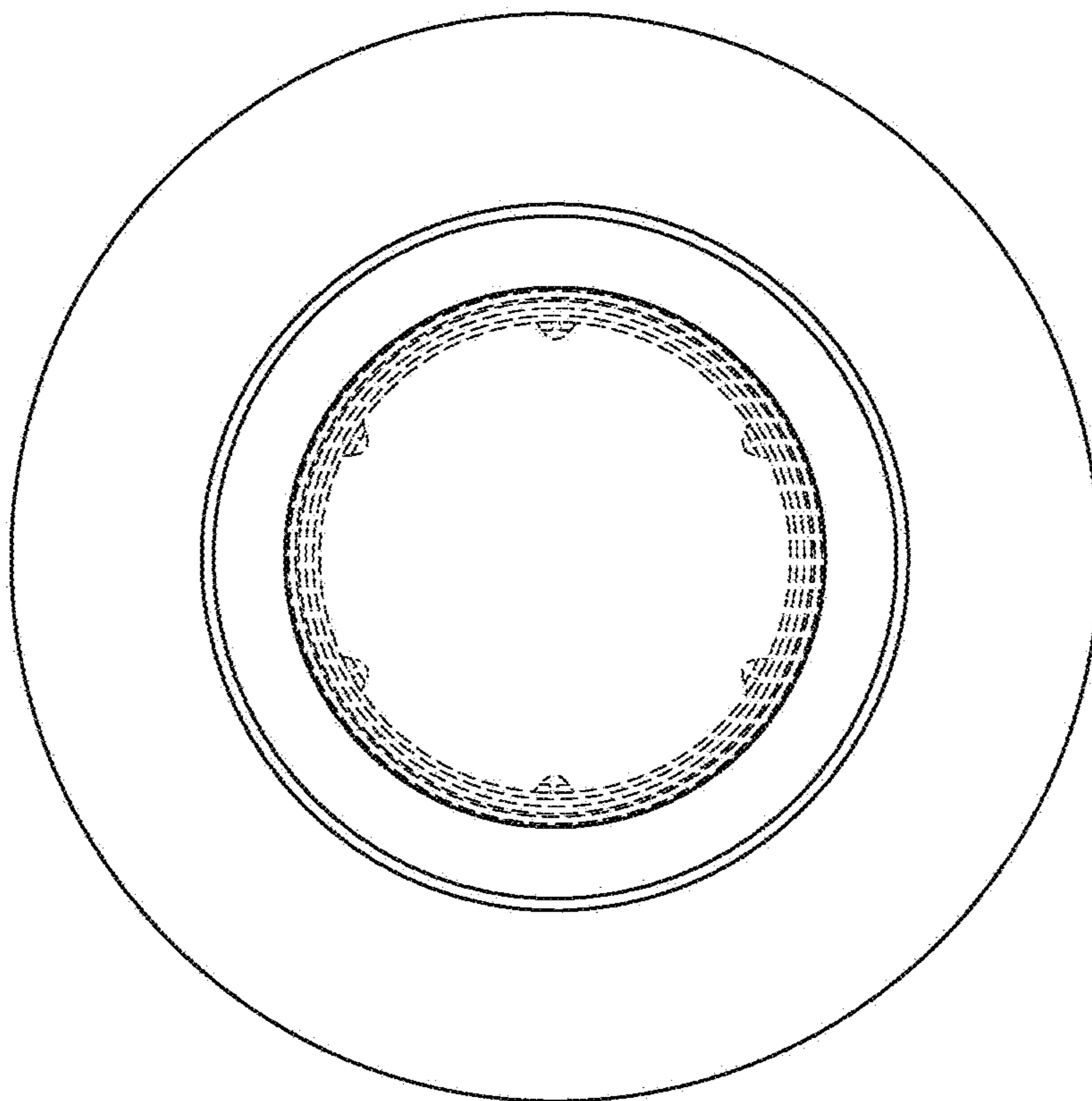


FIG. 10

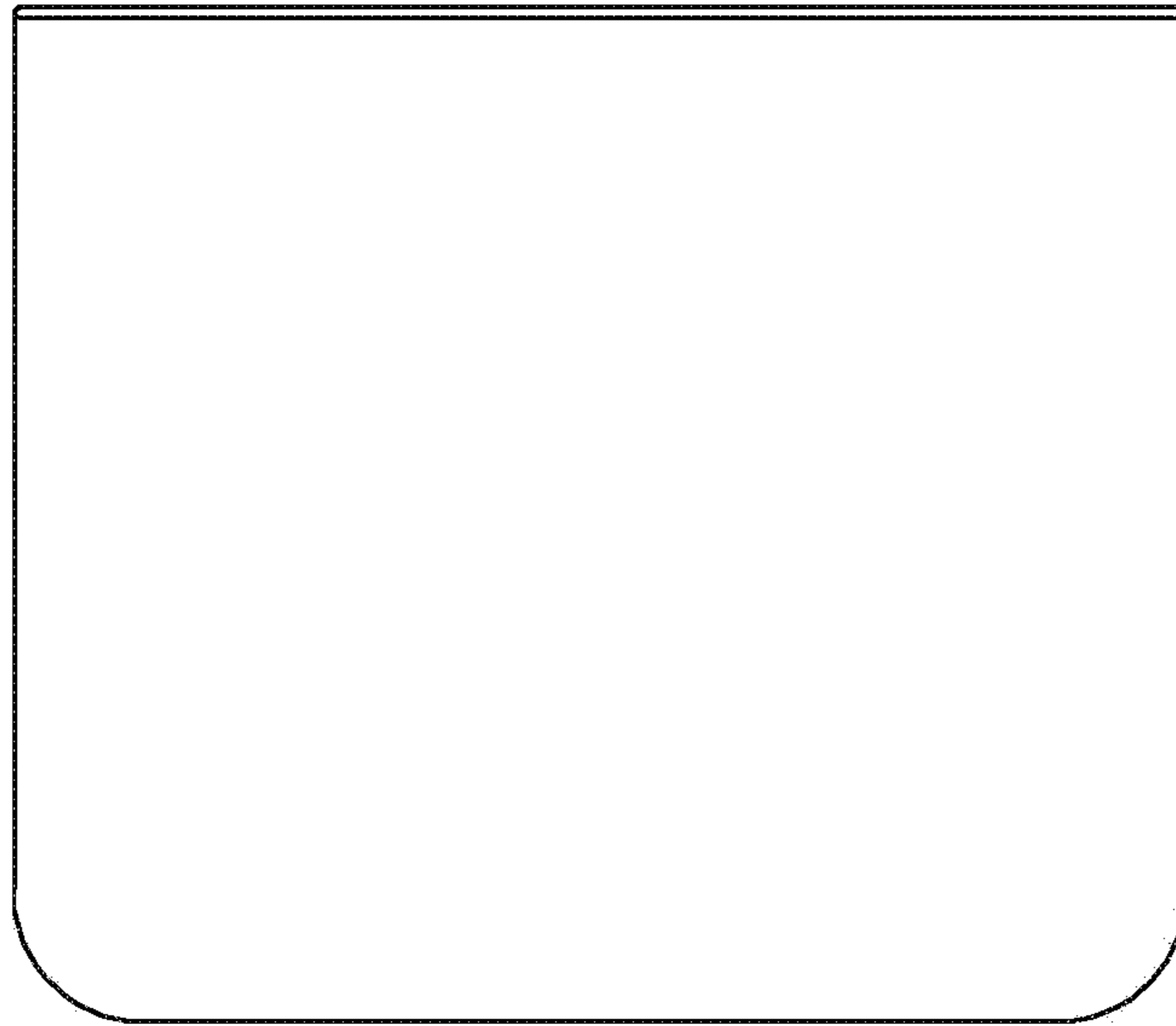


FIG. 11

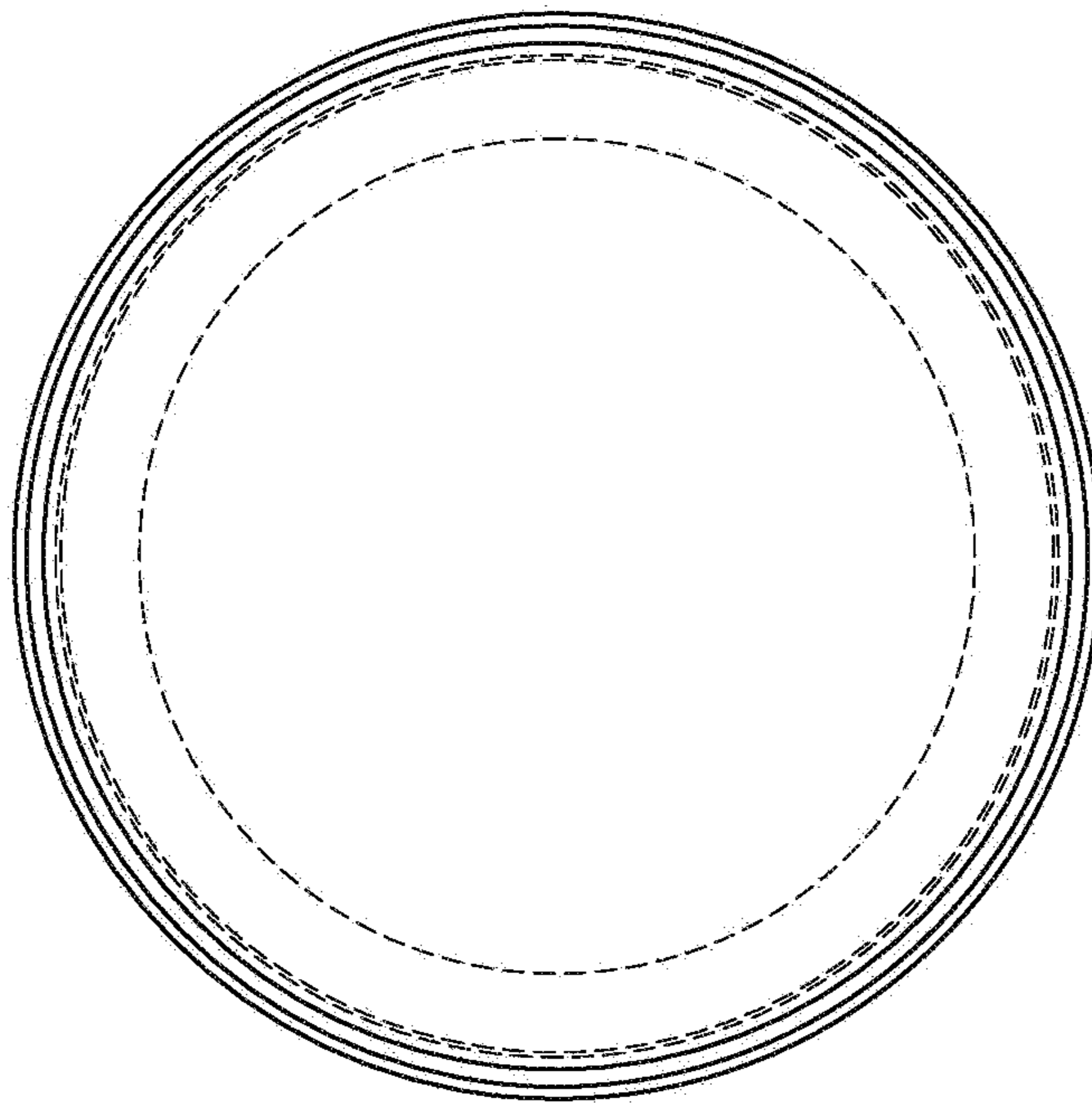


FIG. 12

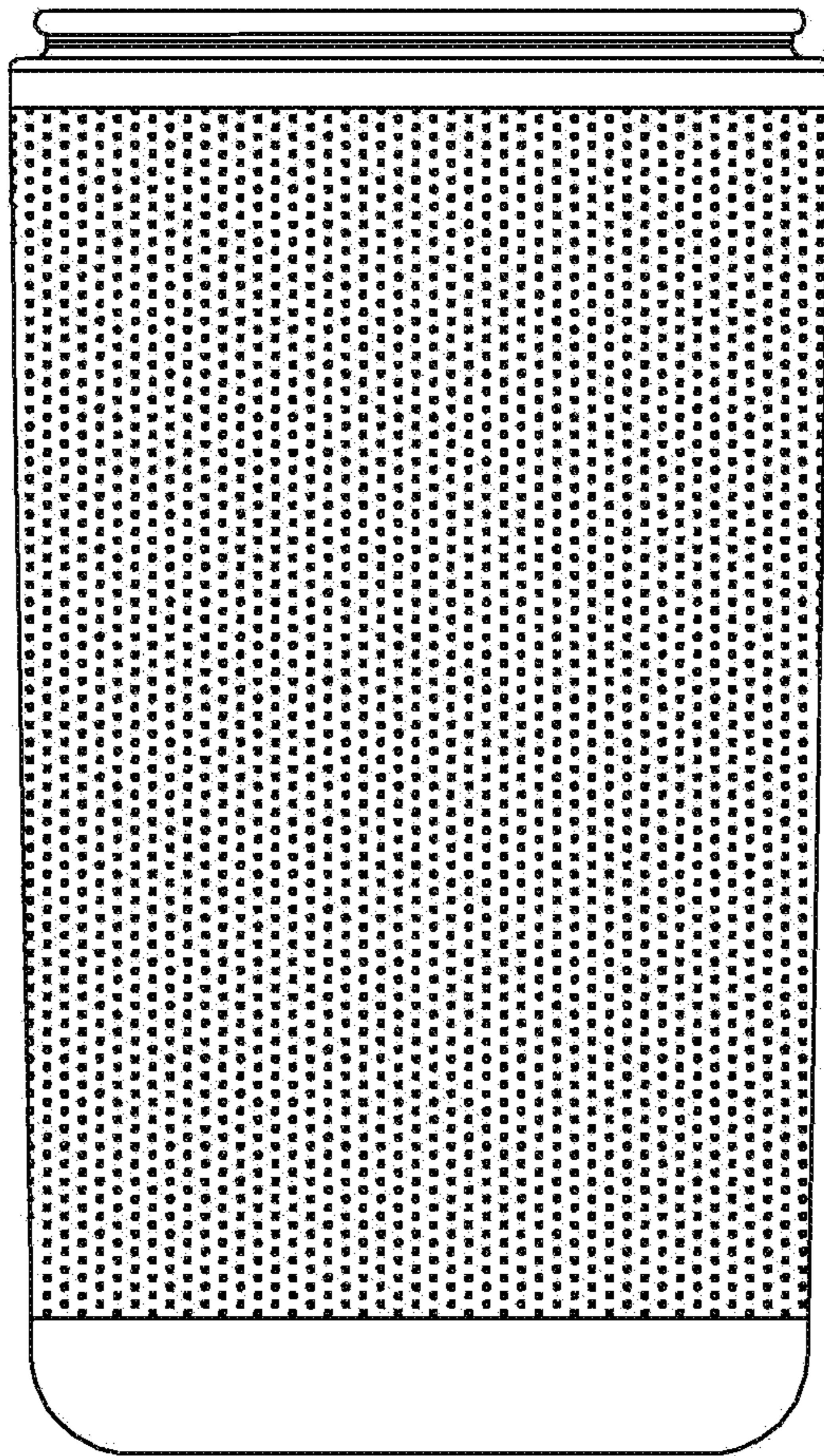


FIG. 13

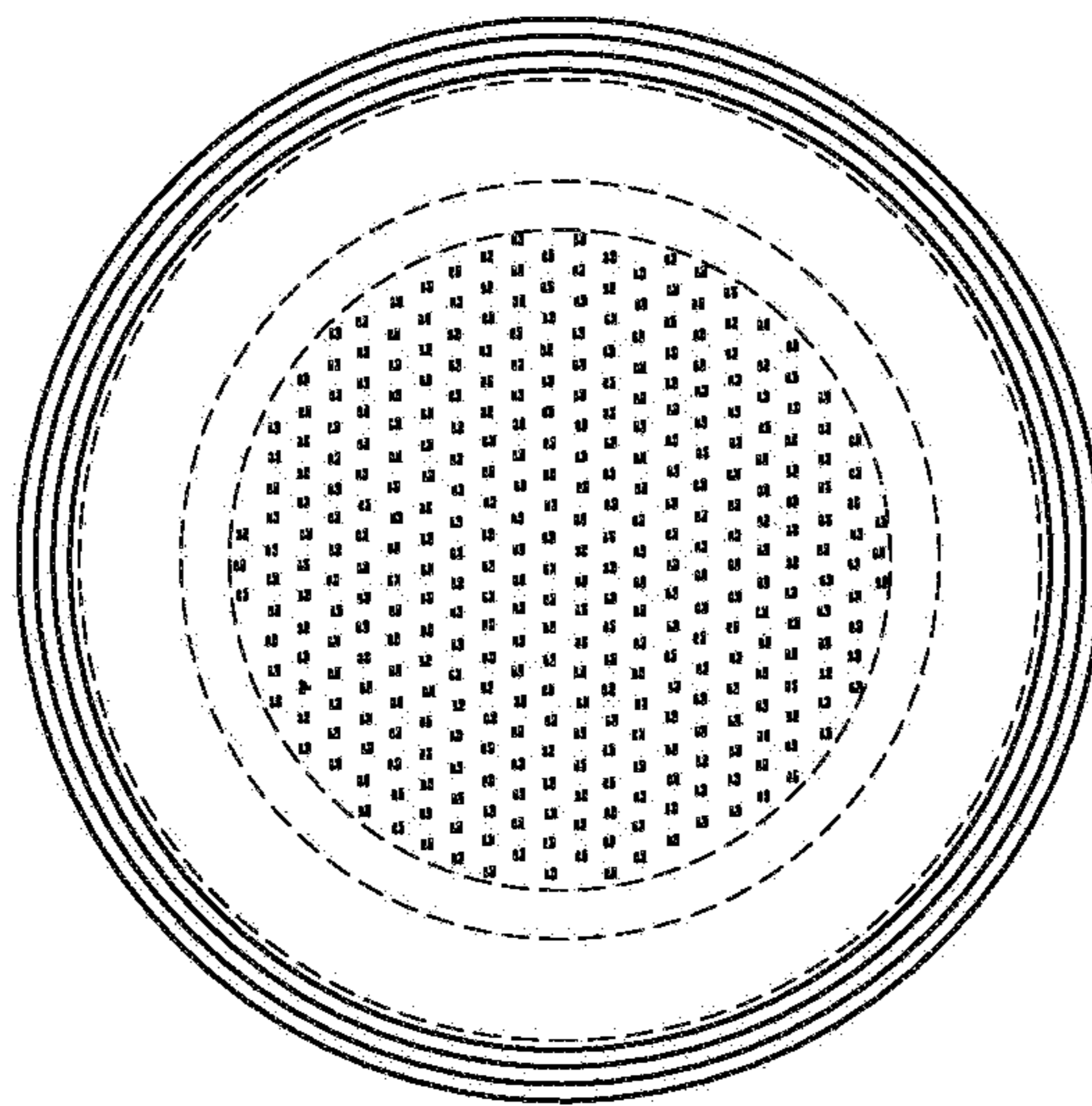


FIG. 14

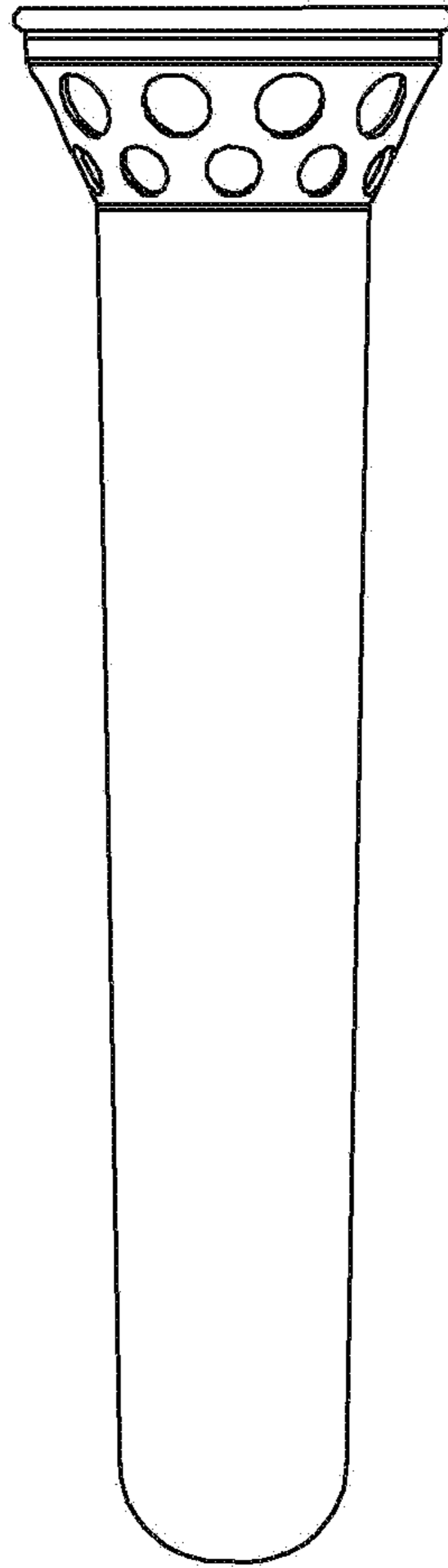


FIG. 15

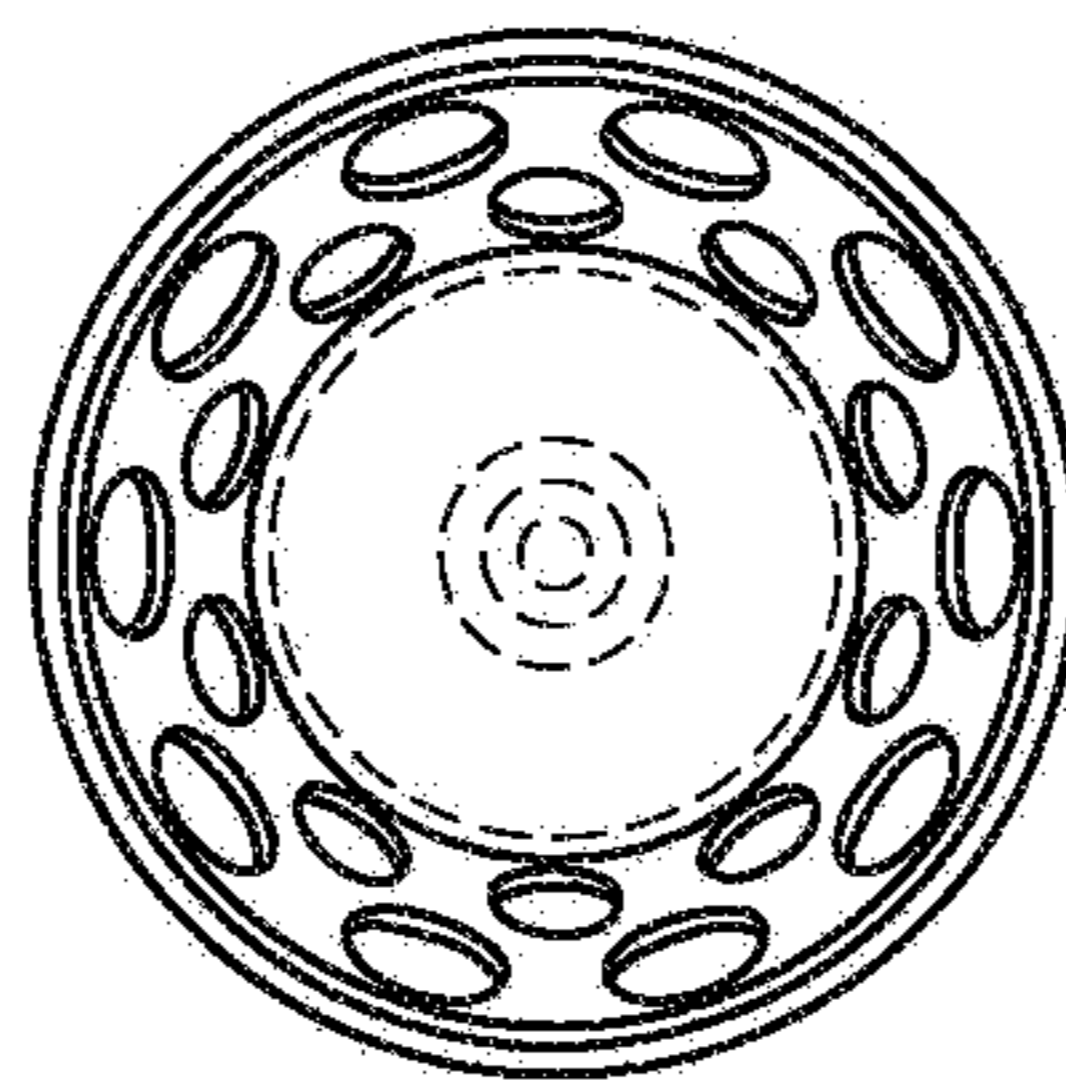


FIG. 16

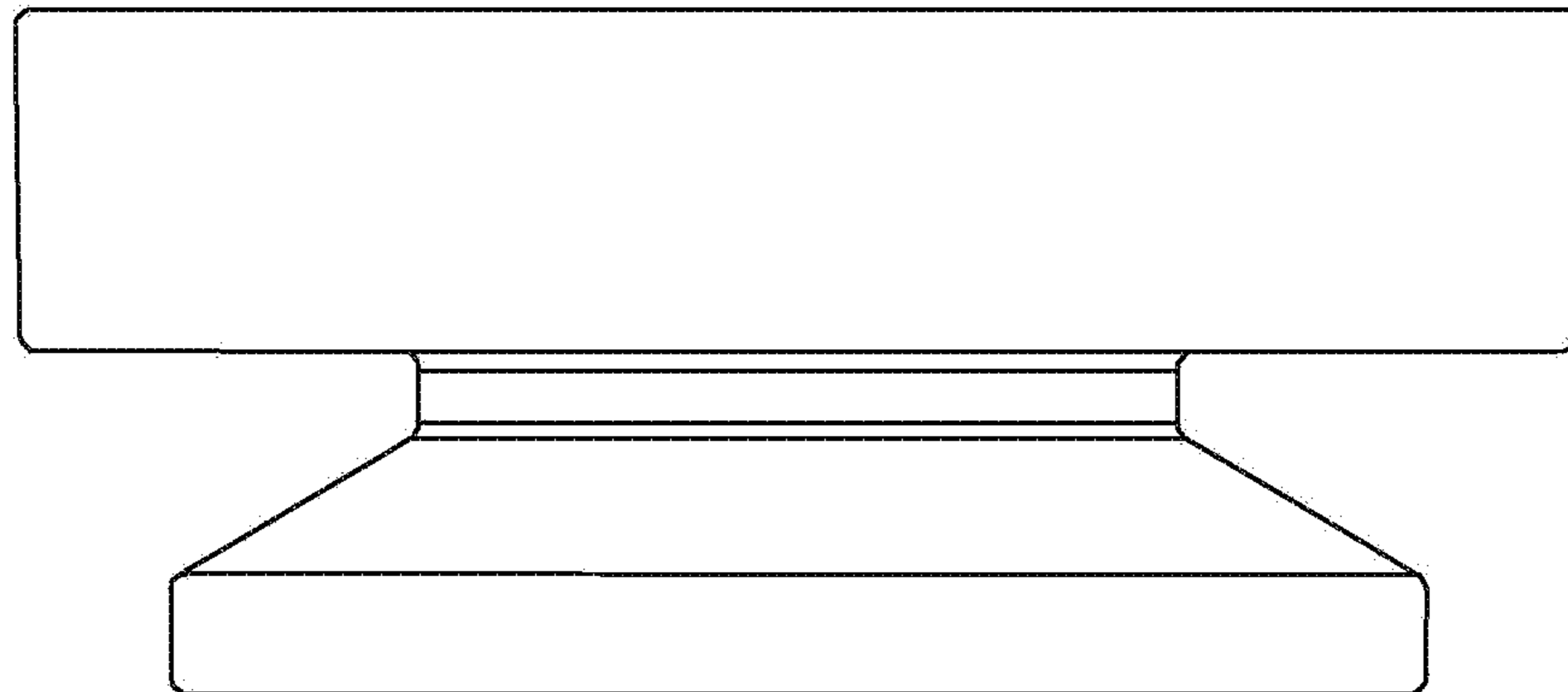


FIG. 17

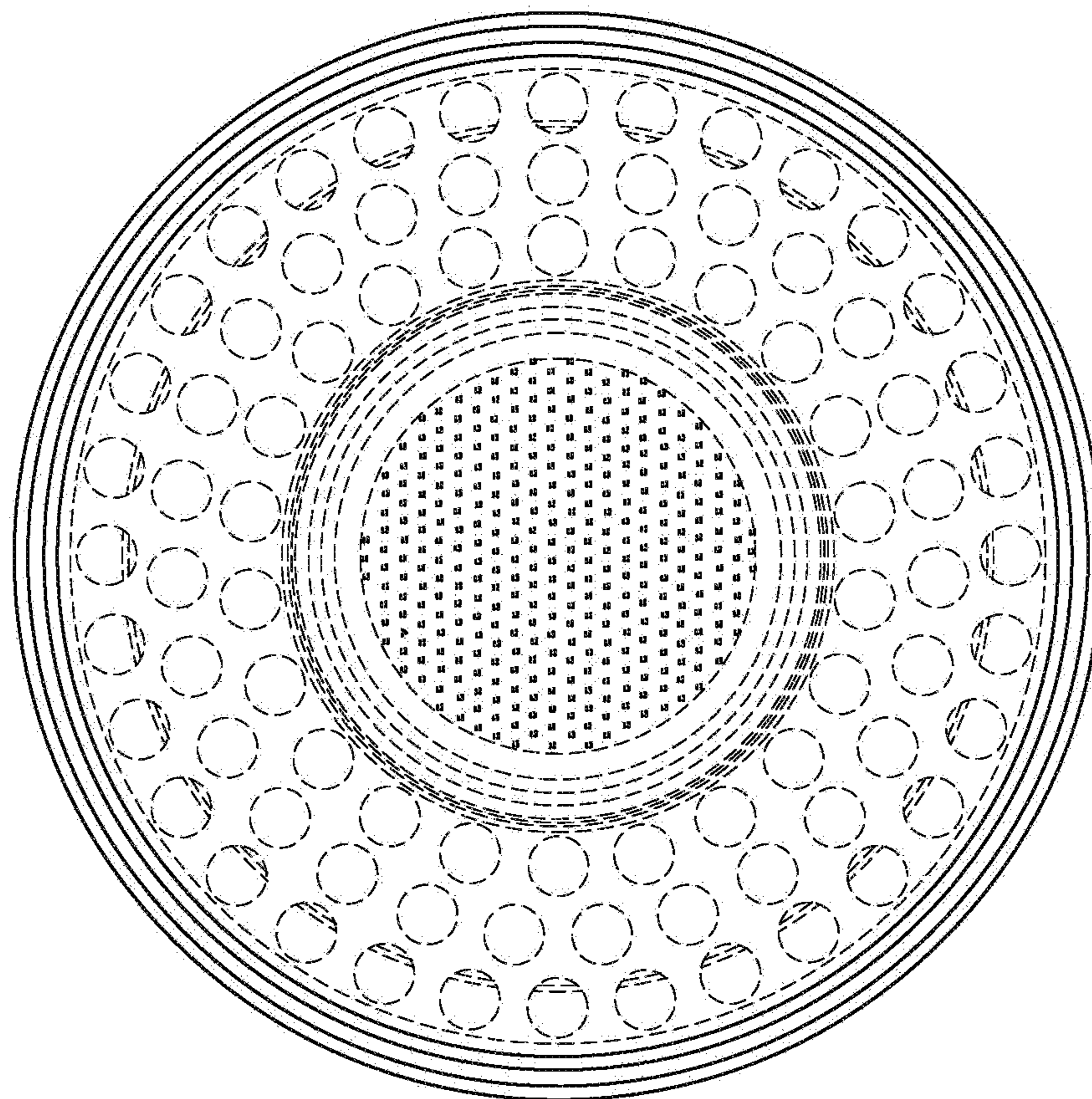


FIG. 18

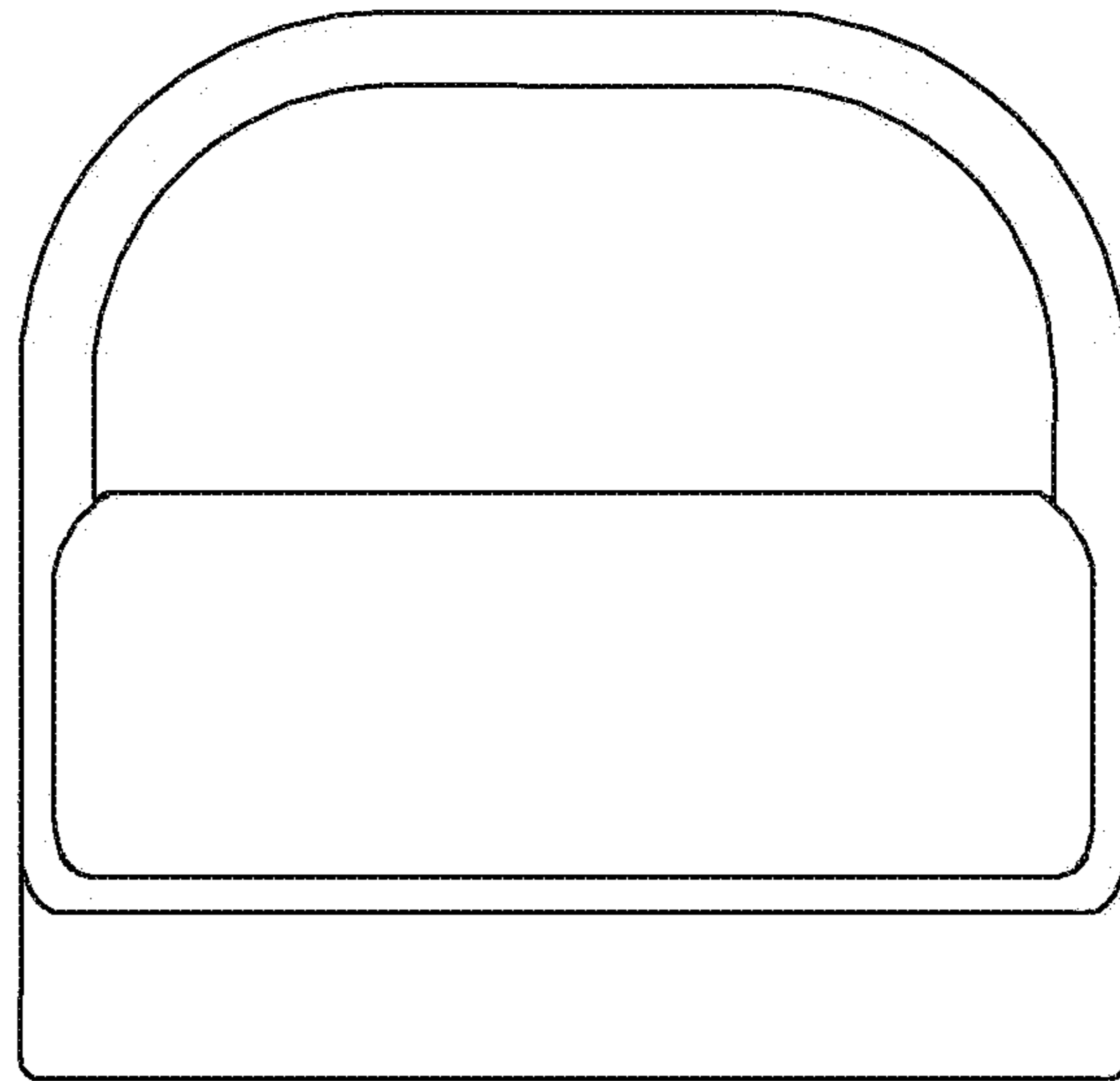


FIG. 19

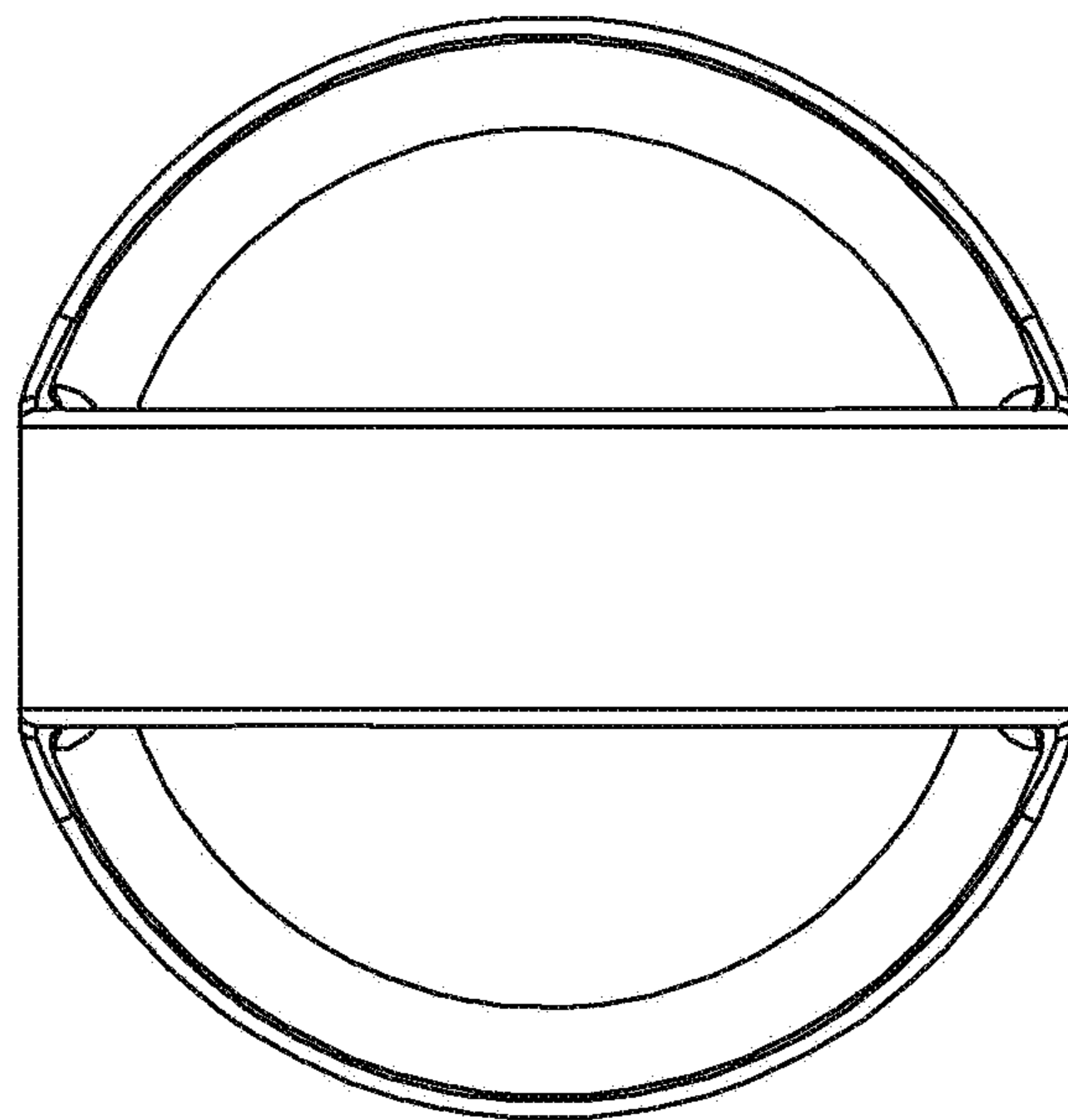


FIG. 20

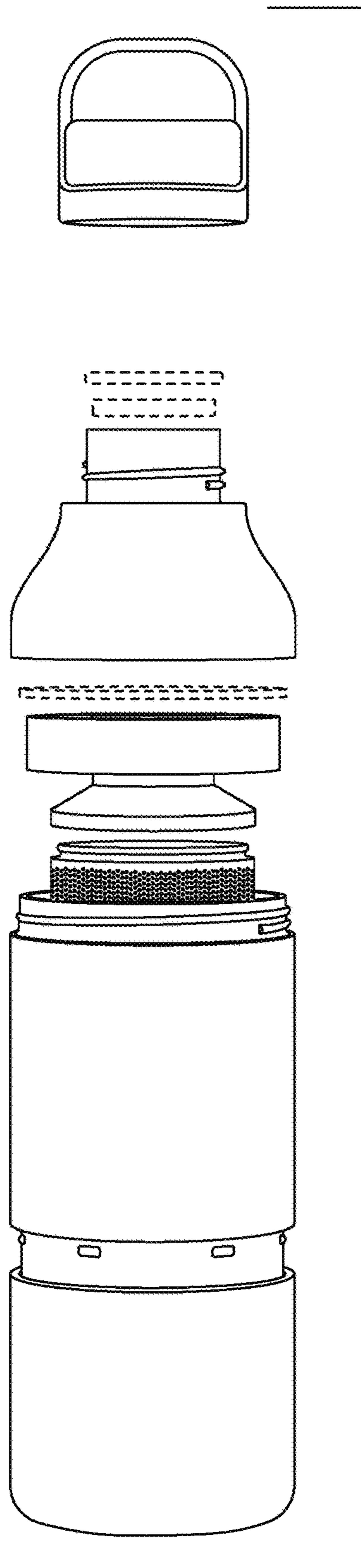


FIG. 21