



US00D923405S

(12) **United States Design Patent**
Kettavong et al.

(10) **Patent No.:** **US D923,405 S**

(45) **Date of Patent:** **** Jun. 29, 2021**

- (54) **BLENDER CONTAINER**
- (71) Applicant: **Vita-Mix Management Corporation**,
Olmsted Township, OH (US)
- (72) Inventors: **Phonesacksith Guy Kettavong**,
Medina, OH (US); **Fred Mehlman**,
Brunswick, OH (US)
- (73) Assignee: **Vita-Mix Management Corporation**,
Olmsted Township, OH (US)

| | | | |
|-------------------|---------|-------------------|--------------------------|
| D621,656 S * | 8/2010 | Ulanski | D7/413 |
| D662,359 S * | 6/2012 | Boozer | D7/413 |
| D664,808 S * | 8/2012 | Dickson, Jr. | D7/413 |
| 9,370,280 B2 * | 6/2016 | Conti | A47J 43/0722 |
| D783,356 S * | 4/2017 | Kim | D7/413 |
| D798,109 S * | 9/2017 | Ulanski | D7/413 |
| D821,142 S * | 6/2018 | Ulanski | D7/413 |
| D839,670 S * | 2/2019 | Youngmann | D7/413 |
| D880,239 S * | 4/2020 | McConnell | D7/413 |
| D897,758 S * | 10/2020 | Finnance | D7/378 |
| 2014/0084094 A1 * | 3/2014 | Lee | A47J 43/046 241/101.3 |

(**) Term: **15 Years**

* cited by examiner

(21) Appl. No.: **29/721,636**

Primary Examiner — Ricky Pham

(22) Filed: **Jan. 22, 2020**

(74) *Attorney, Agent, or Firm* — McDonald Hopkins LLC

(51) **LOC (13) Cl.** **31-00**

(52) **U.S. Cl.**
USPC **D7/413; D7/376; D7/378; D7/412**

(58) **Field of Classification Search**
USPC D7/372, 376–386, 412–413, 602, 629,
D7/665–666, 669, 679, 693–694
CPC A21C 1/02; A21C 1/04; A23N 1/00; A23N
1/02; A47J 43/04; A47J 43/25; A47J
43/27; A47J 43/042; A47J 43/044; A47J
43/046; A47J 43/075; A47J 43/0716;
A47J 43/0722; A47J 43/0727; A47J
43/0766; B01F 3/00; B01F 3/0807; B01F
3/0853; B01F 13/0059; B01F 13/0064;
B02C 1/08; B02C 2/04; B02C 4/42;
B02C 4/142; B02C 4/143; B02C 4/423;
B02C 13/1835; B28C 5/10; B28C 5/12;
B28C 5/14; B28C 5/16

See application file for complete search history.

(56) **References Cited**

U.S. PATENT DOCUMENTS

| | | | |
|--------------|--------|---------------|--------|
| D528,363 S * | 9/2006 | Ulanski | D7/413 |
| D588,406 S * | 3/2009 | Ulanski | D7/413 |

(57) **CLAIM**

The ornamental design for a blender container, as shown and described.

DESCRIPTION

FIG. 1 is a perspective view of an embodiment of a blender container showing our new design;
 FIG. 2 is a front view thereof;
 FIG. 3 is a rear view thereof;
 FIG. 4 is a first side view thereof;
 FIG. 5 is a second side view thereof;
 FIG. 6 is a top view thereof; and,
 FIG. 7 is a bottom view thereof.

The broken lines in the figures are included for the purpose of illustrating portions of a blender container and form no part of the claimed design.

1 Claim, 6 Drawing Sheets

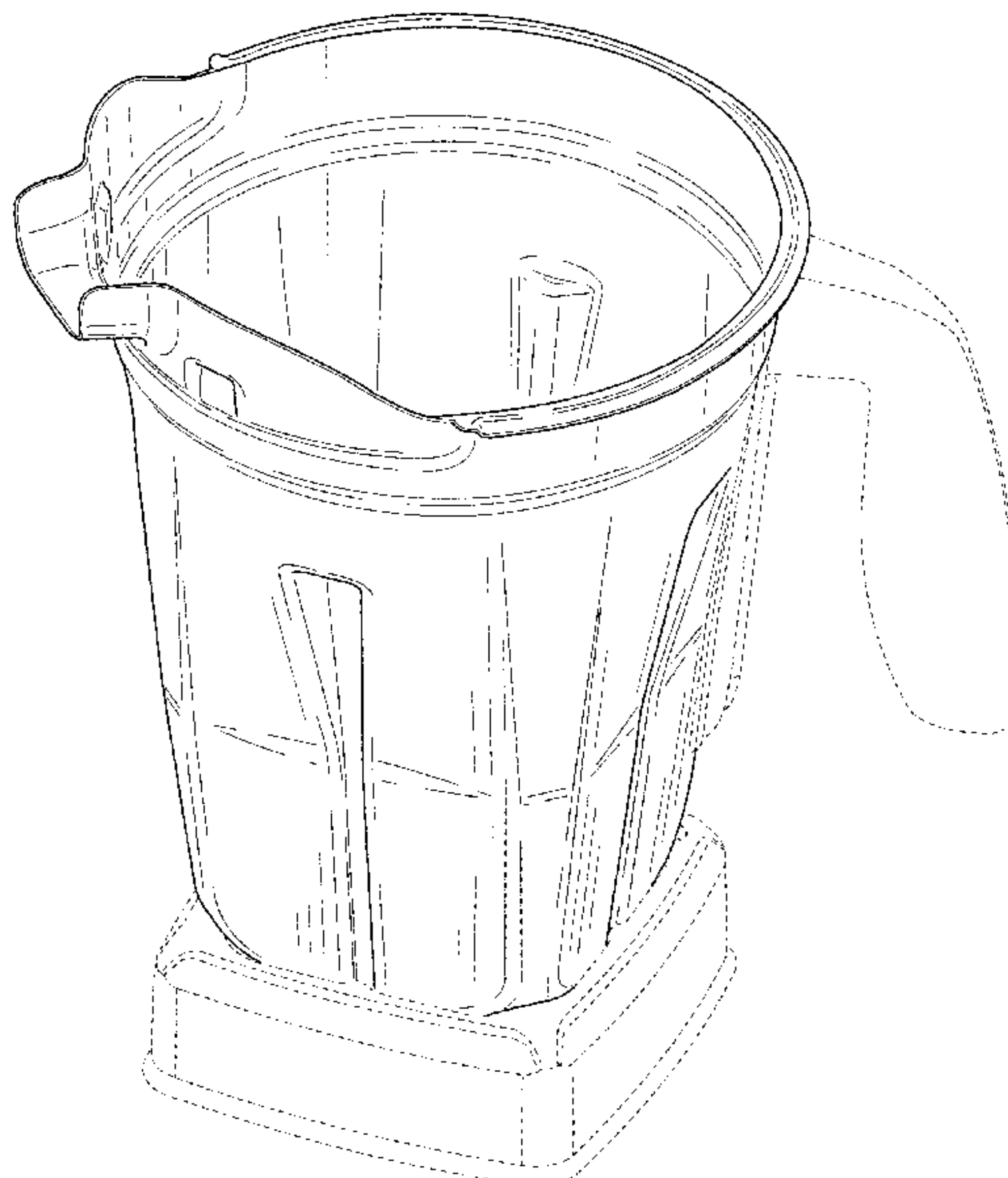




FIG. 1

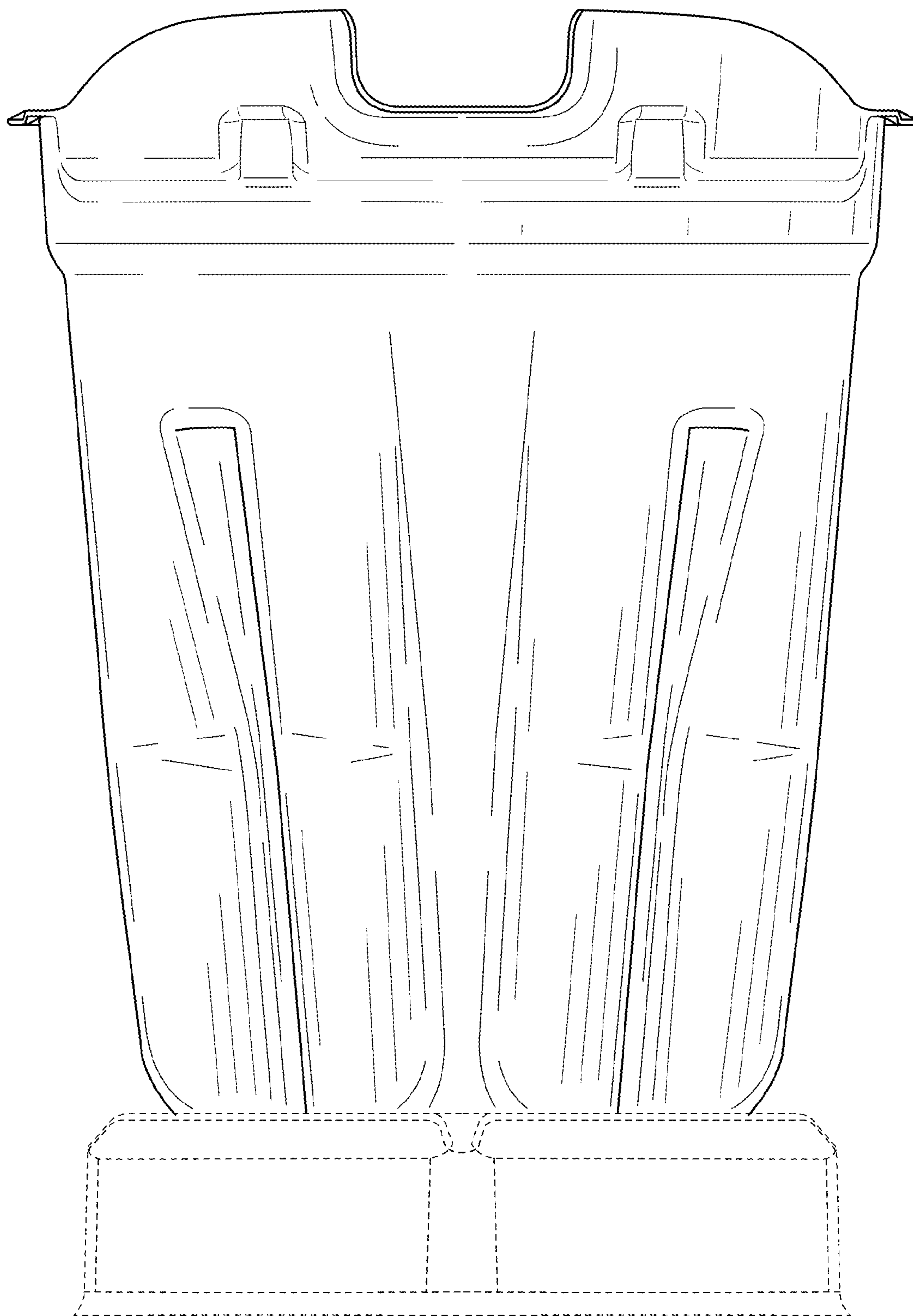


FIG. 2

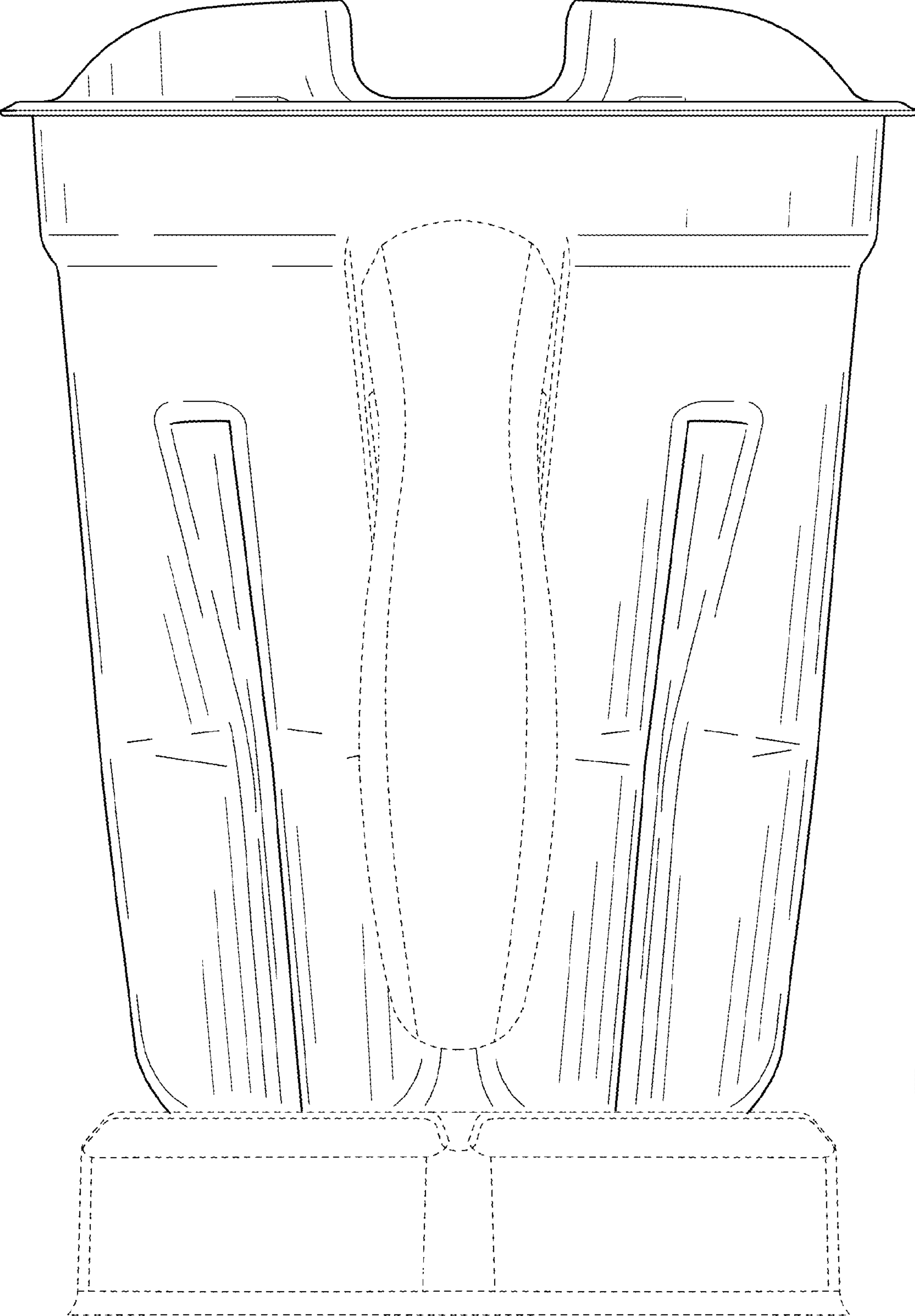


FIG. 3

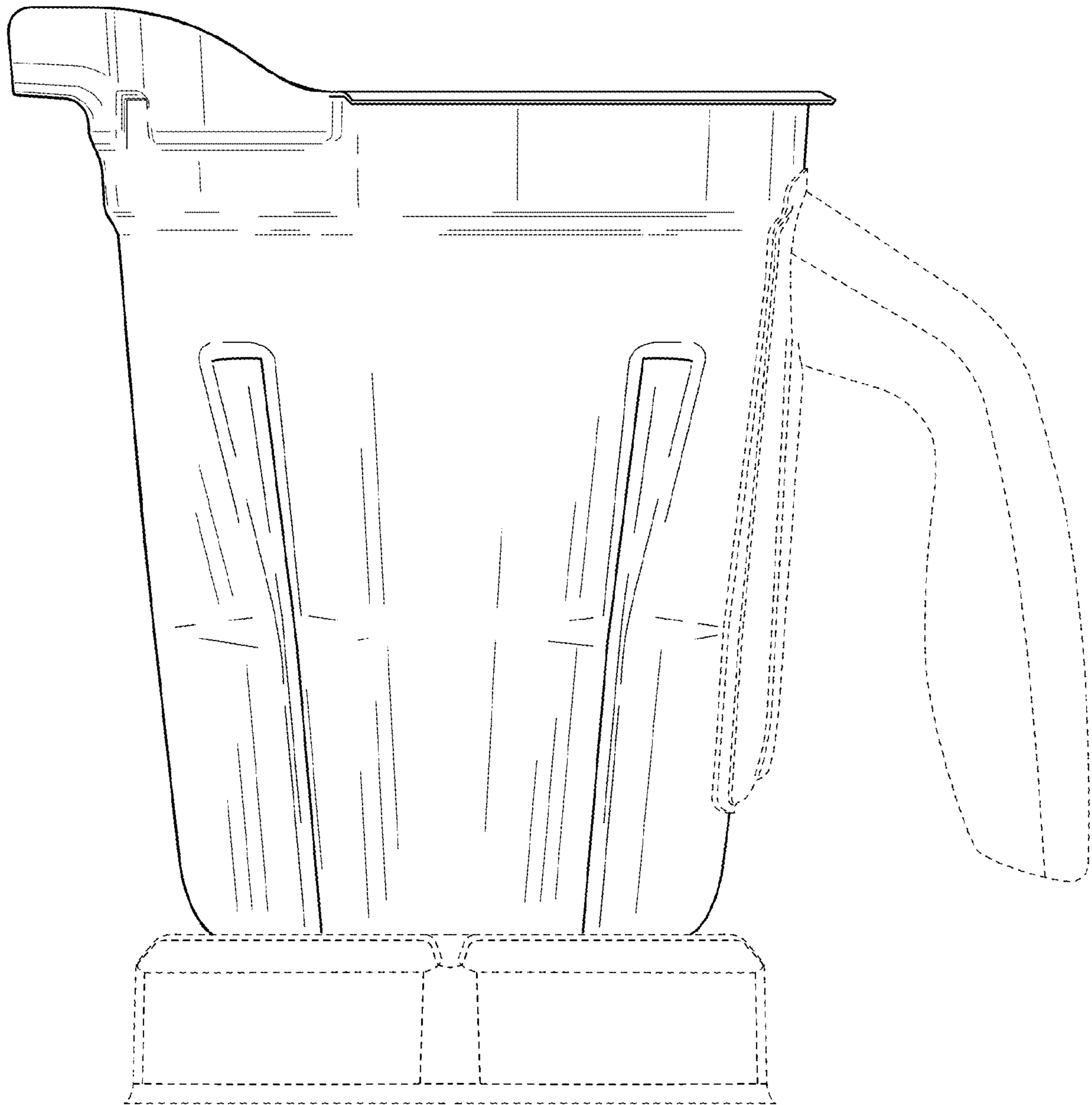


FIG. 4

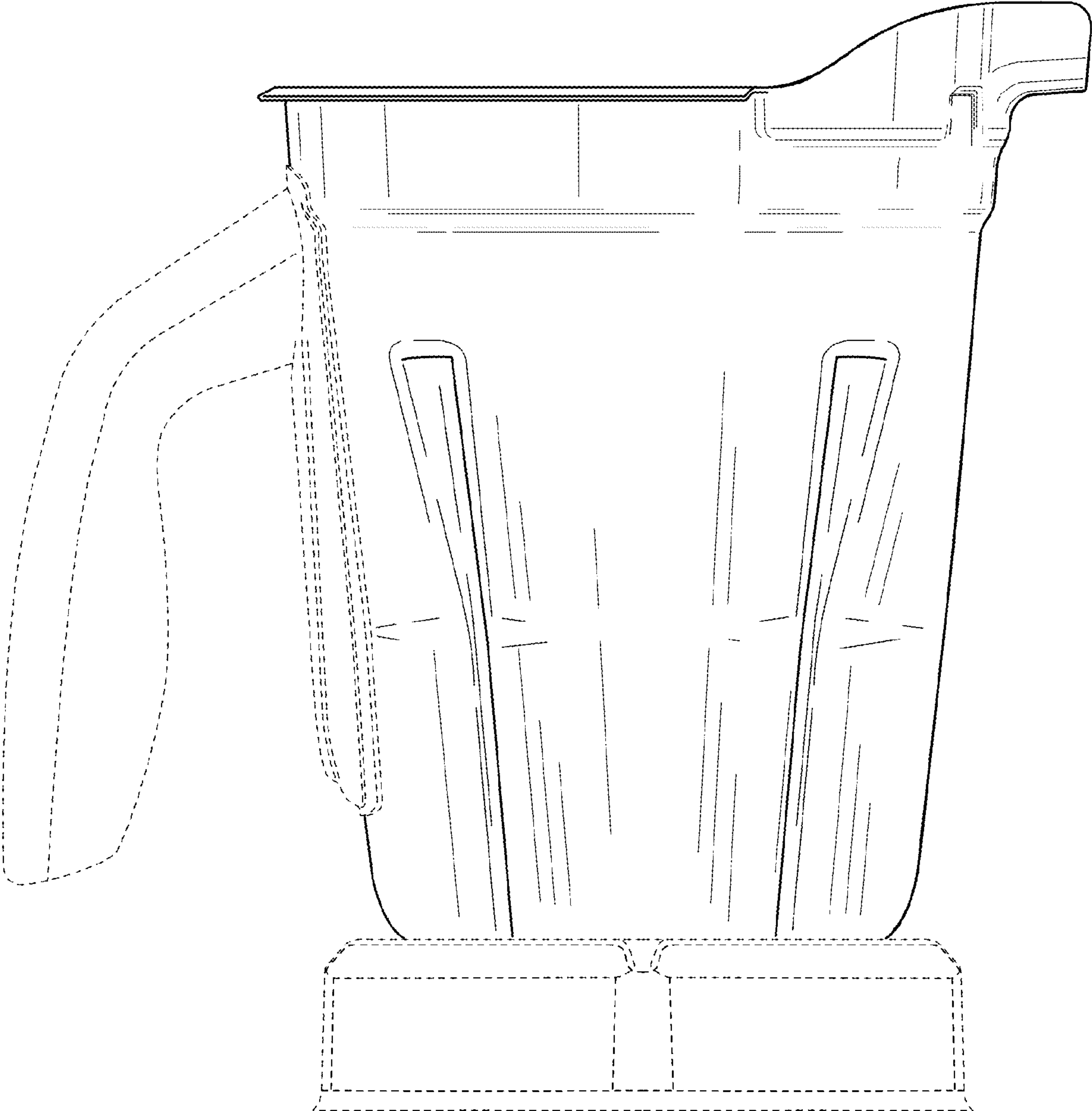


FIG. 5

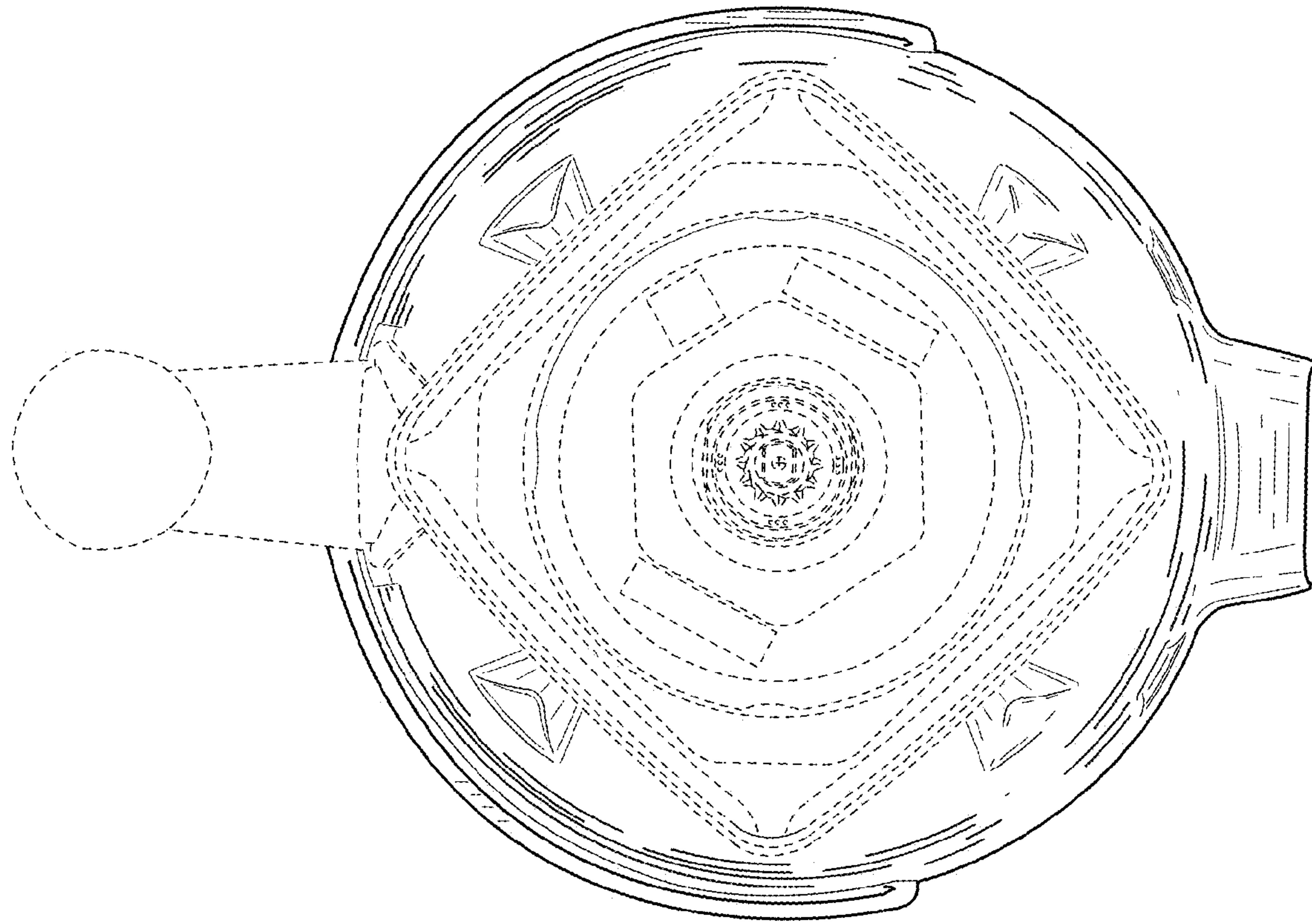


FIG. 7

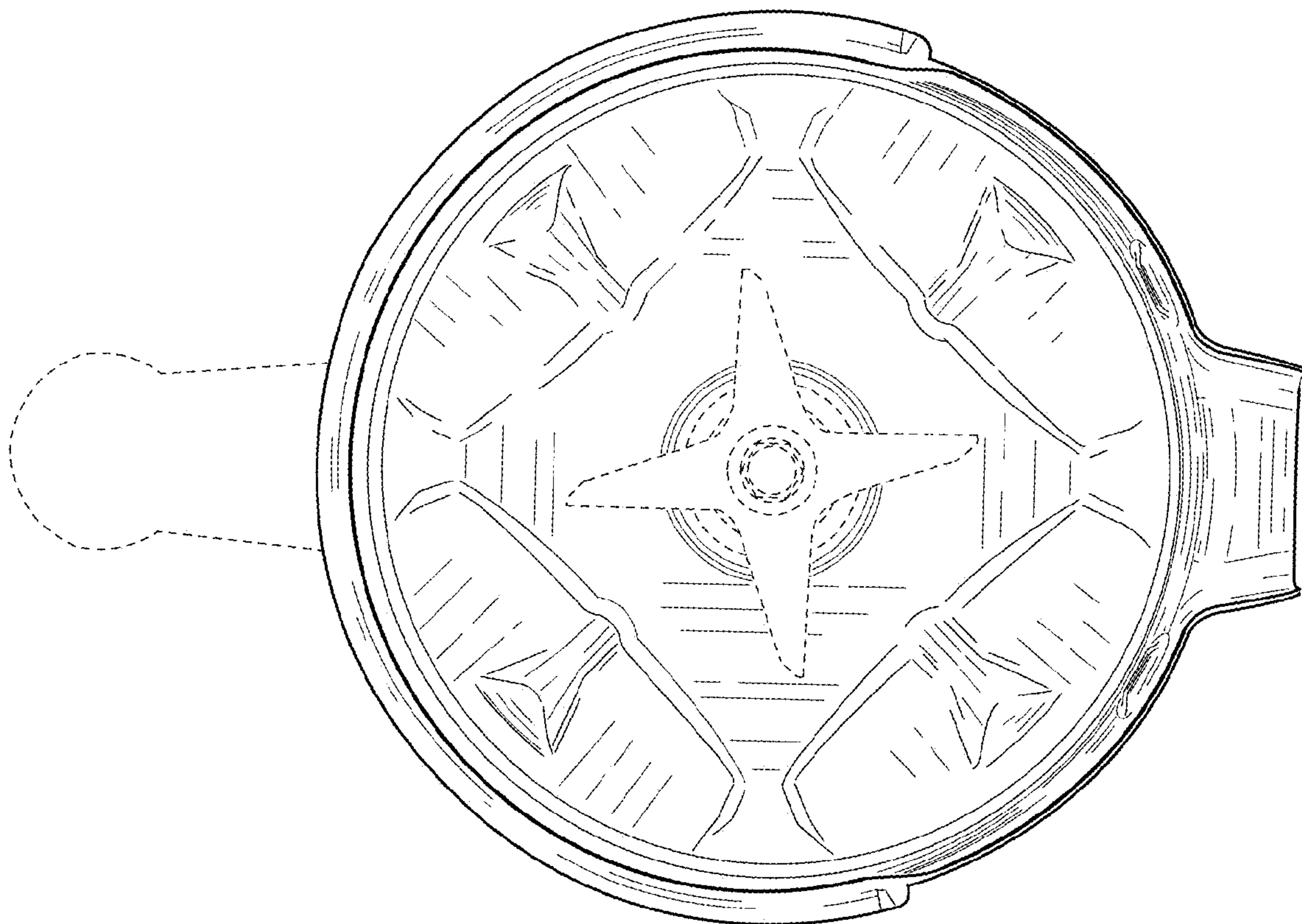


FIG. 6