



US00D923403S

(12) **United States Design Patent**  
**Seo et al.**

(10) **Patent No.:** **US D923,403 S**  
(45) **Date of Patent:** **\*\* Jun. 29, 2021**

(54) **GRILL TRAY FOR OVEN TOASTER**

(71) Applicant: **LG ELECTRONICS INC.**, Seoul (KR)

(72) Inventors: **Woonkyu Seo**, Seoul (KR); **Miyoung Kim**, Seoul (KR); **Hyun Choi**, Seoul (KR); **Hyeonjeong An**, Seoul (KR)

(73) Assignee: **LG ELECTRONICS INC.**, Seoul (KR)

(\*\*) Term: **15 Years**

(21) Appl. No.: **29/726,000**

(22) Filed: **Feb. 28, 2020**

(30) **Foreign Application Priority Data**

Feb. 21, 2020 (KR) ..... 30-2020-0007890

(51) **LOC (13) Cl.** ..... **07-02**

(52) **U.S. Cl.**  
USPC ..... **D7/409**

(58) **Field of Classification Search**  
USPC ..... D6/583; D7/323, 332, 335-337, D7/354-355, 359-364, 387-388, 402, D7/407-409, 553.2, 698; D13/182  
CPC .... A21B 1/52; A21B 2/00; A21B 3/00; A21B 3/13; A21B 3/15; A21B 5/00; A21B 5/02; A23N 12/06; A23N 12/08; A23N 12/10; A47J 37/00; A47J 37/04; A47J 37/041; A47J 37/042; A47J 37/06; A47J 37/0688; A47J 37/0694; A47J 37/07; A47J 37/0704; A47J 37/10; A47J 37/067; A47J 47/20; A47J 2037/00; A47J 2037/06; A47J 2037/0611; A47J 2037/07; A47J 2037/0786; A47J 2037/0795; F24C 15/10; F24C 15/12; F24C 15/14; F24C 15/16; F24C 15/18; F24C 15/107; F24C 15/164; H05B 6/6408

See application file for complete search history.

(56) **References Cited**

U.S. PATENT DOCUMENTS

D158,838 S \* 6/1950 Caldwell ..... D6/583  
4,074,102 A \* 2/1978 Asen ..... H05B 6/6408  
219/732  
D251,106 S \* 2/1979 Petursson ..... D7/409  
4,476,848 A \* 10/1984 Protas ..... A21B 1/52  
126/19 M  
D498,387 S \* 11/2004 Hojnoski ..... D7/402  
D508,368 S \* 8/2005 Lion ..... D7/388  
7,263,987 B2 \* 9/2007 Sung ..... A47J 37/067  
126/25 R  
D588,399 S \* 3/2009 Vrbaneck ..... D7/359  
D676,711 S \* 2/2013 Toufayan ..... D7/553.2

(Continued)

*Primary Examiner* — Ricky Pham

(74) *Attorney, Agent, or Firm* — Birch, Stewart, Kolasch & Birch LLP

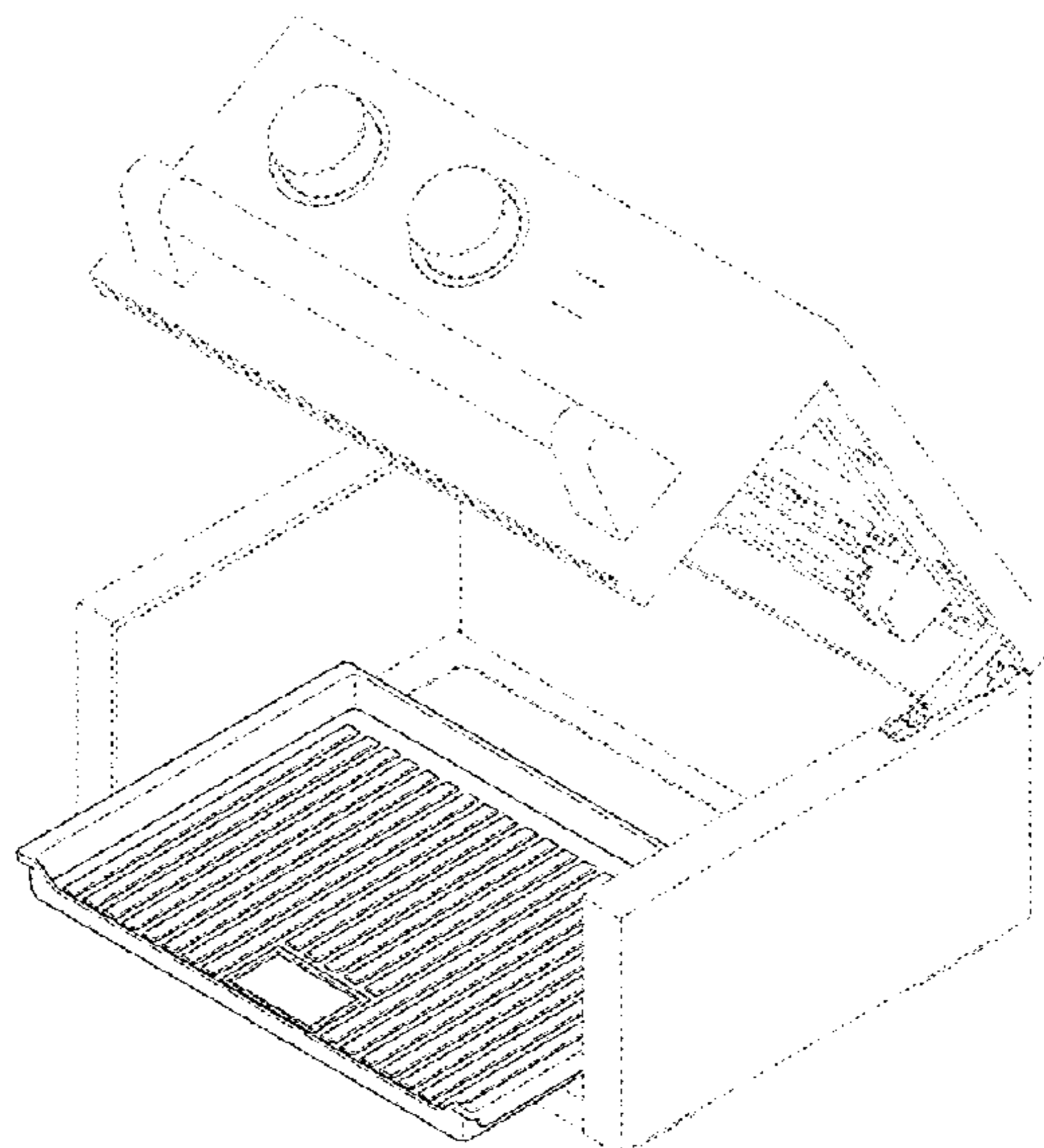
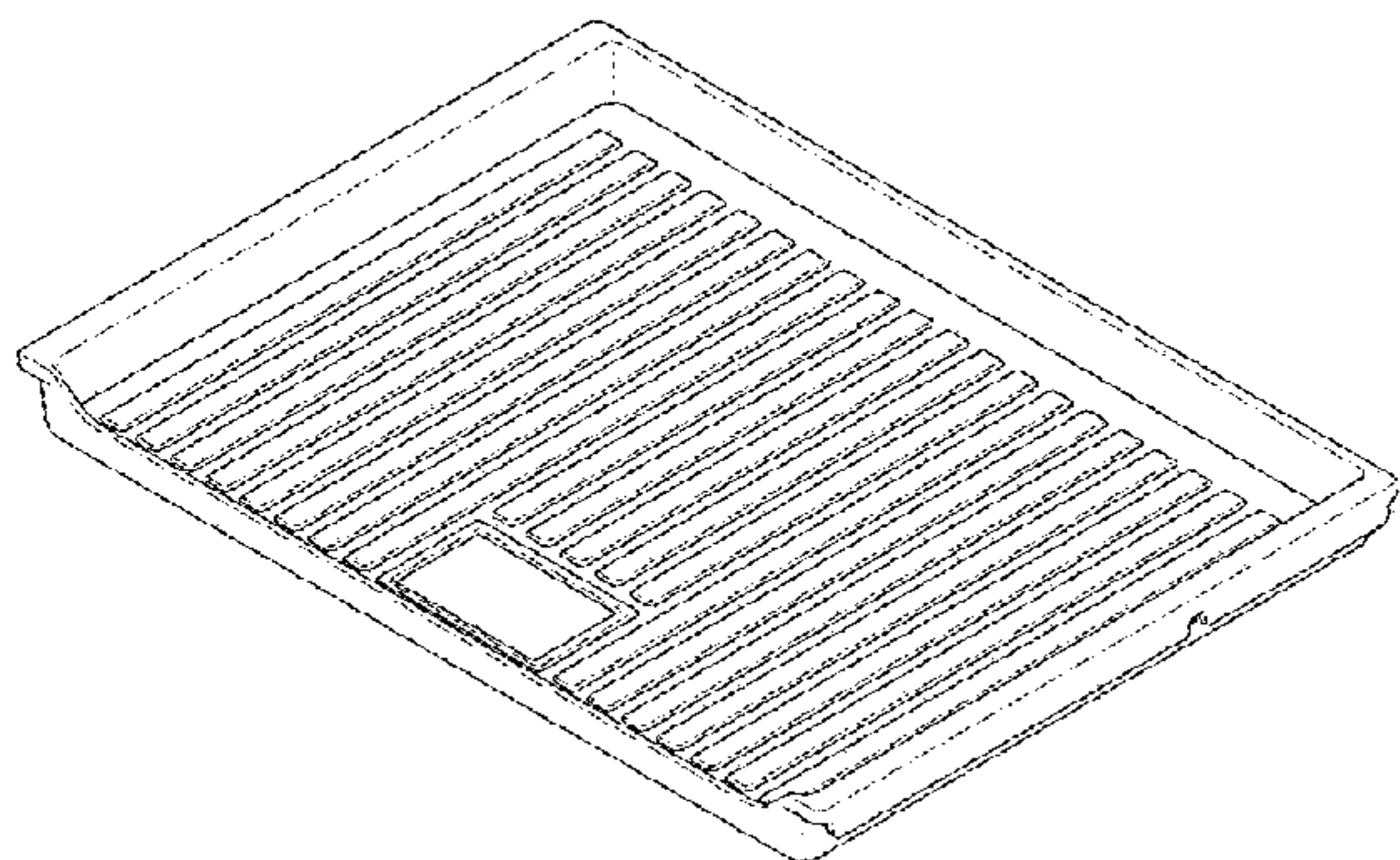
(57) **CLAIM**

The ornamental design for a grill tray for oven toaster, as shown and described.

**DESCRIPTION**

FIG. 1 is a front, right side, perspective view of a grill tray for oven toaster showing our new design;  
FIG. 2 is a front view thereof;  
FIG. 3 is a rear view thereof;  
FIG. 4 is a left side view thereof;  
FIG. 5 is a right side view thereof;  
FIG. 6 is a top view thereof;  
FIG. 7 is a bottom view thereof;  
FIG. 8 is a reference view show the subject design is installed inside the oven toaster thereof; and,  
FIG. 9 is a reference view show how the subject design is installed in the oven toaster.  
The broken lines indicate portions of the article that form no part of the claimed design.

**1 Claim, 5 Drawing Sheets**



(56)

**References Cited**

U.S. PATENT DOCUMENTS

D770,404 S \* 11/2016 McCauley ..... D13/182  
D802,988 S \* 11/2017 Lovenwald ..... D7/359  
D803,640 S \* 11/2017 Grimm ..... D7/698  
D885,819 S \* 6/2020 Vitagliano ..... D7/359

\* cited by examiner

FIG. 1

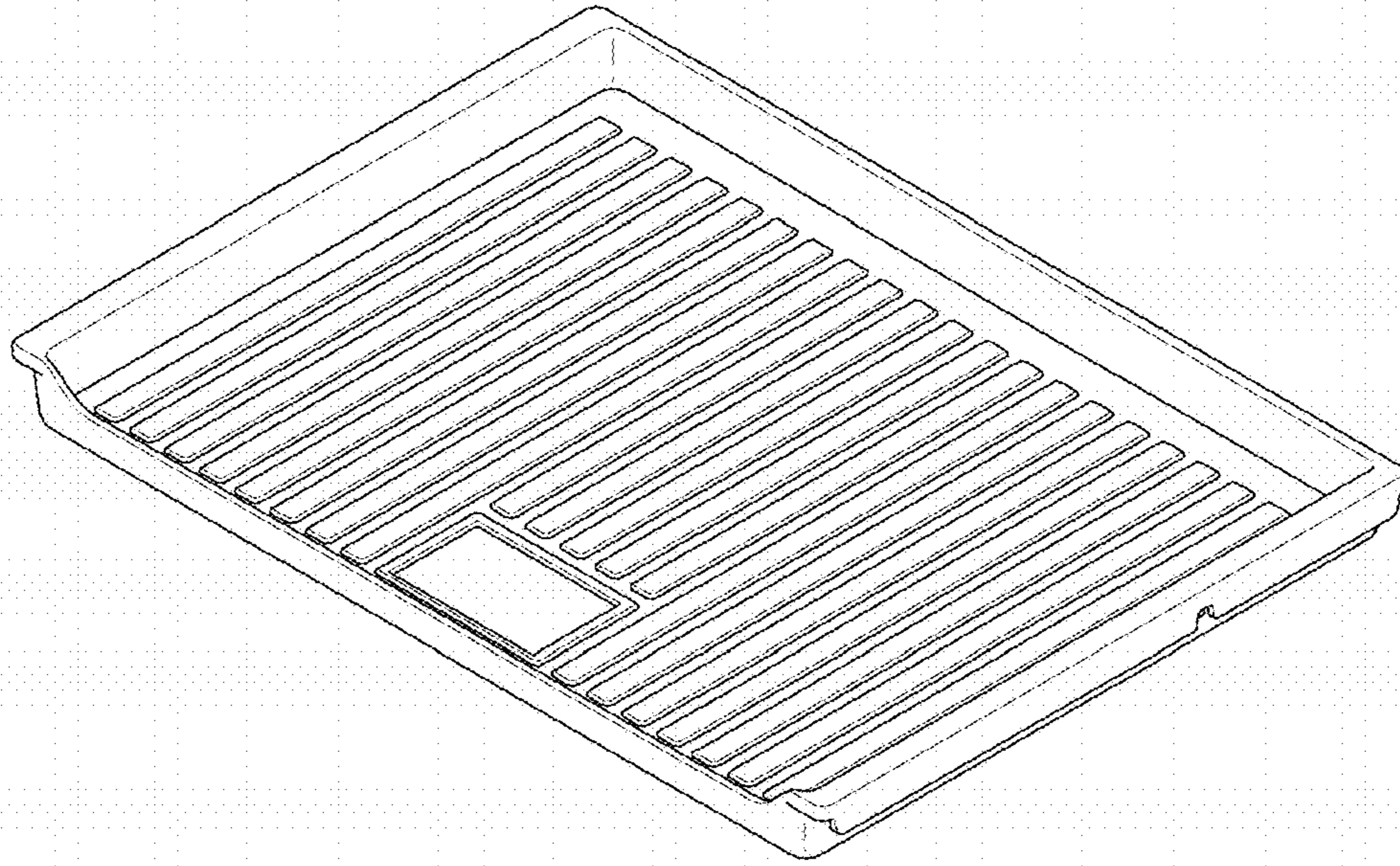


FIG. 2



FIG. 3

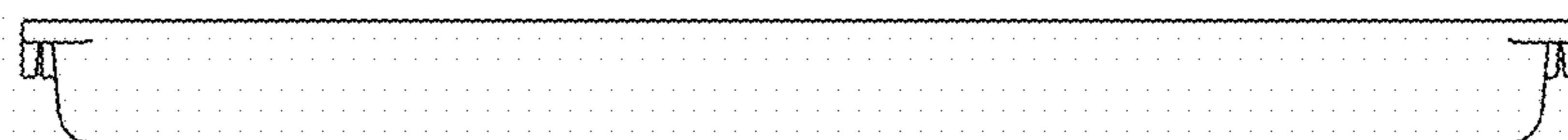


FIG. 4

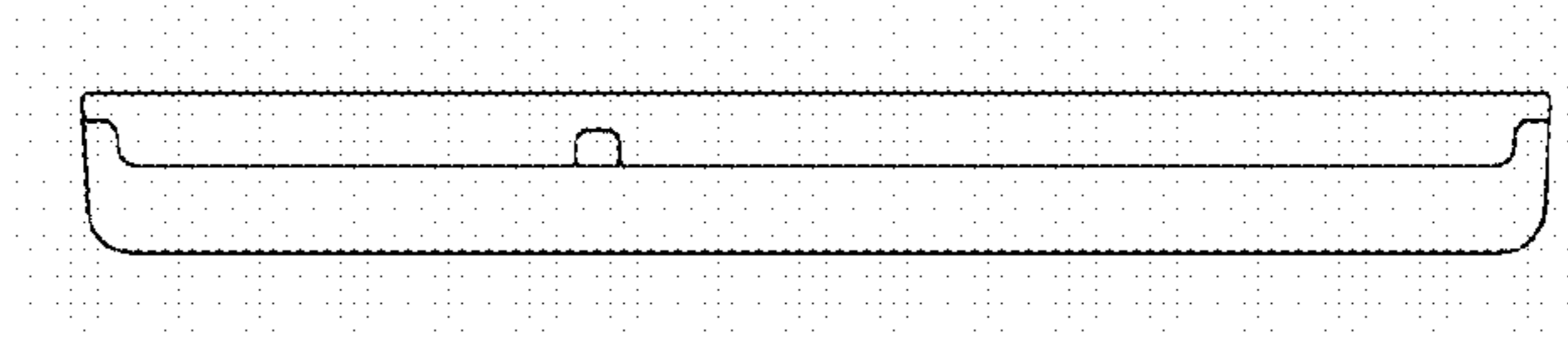


FIG. 5

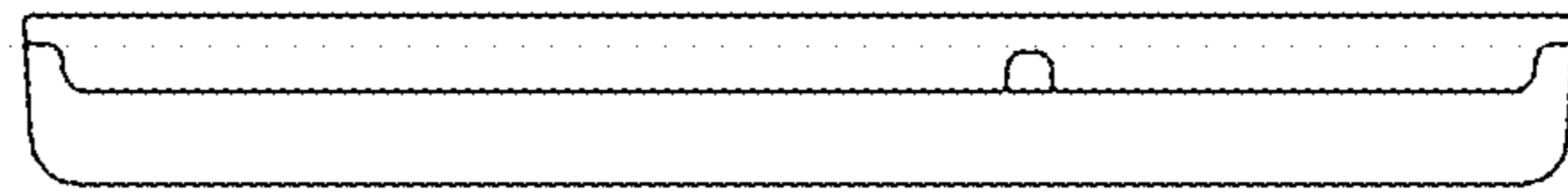


FIG. 6

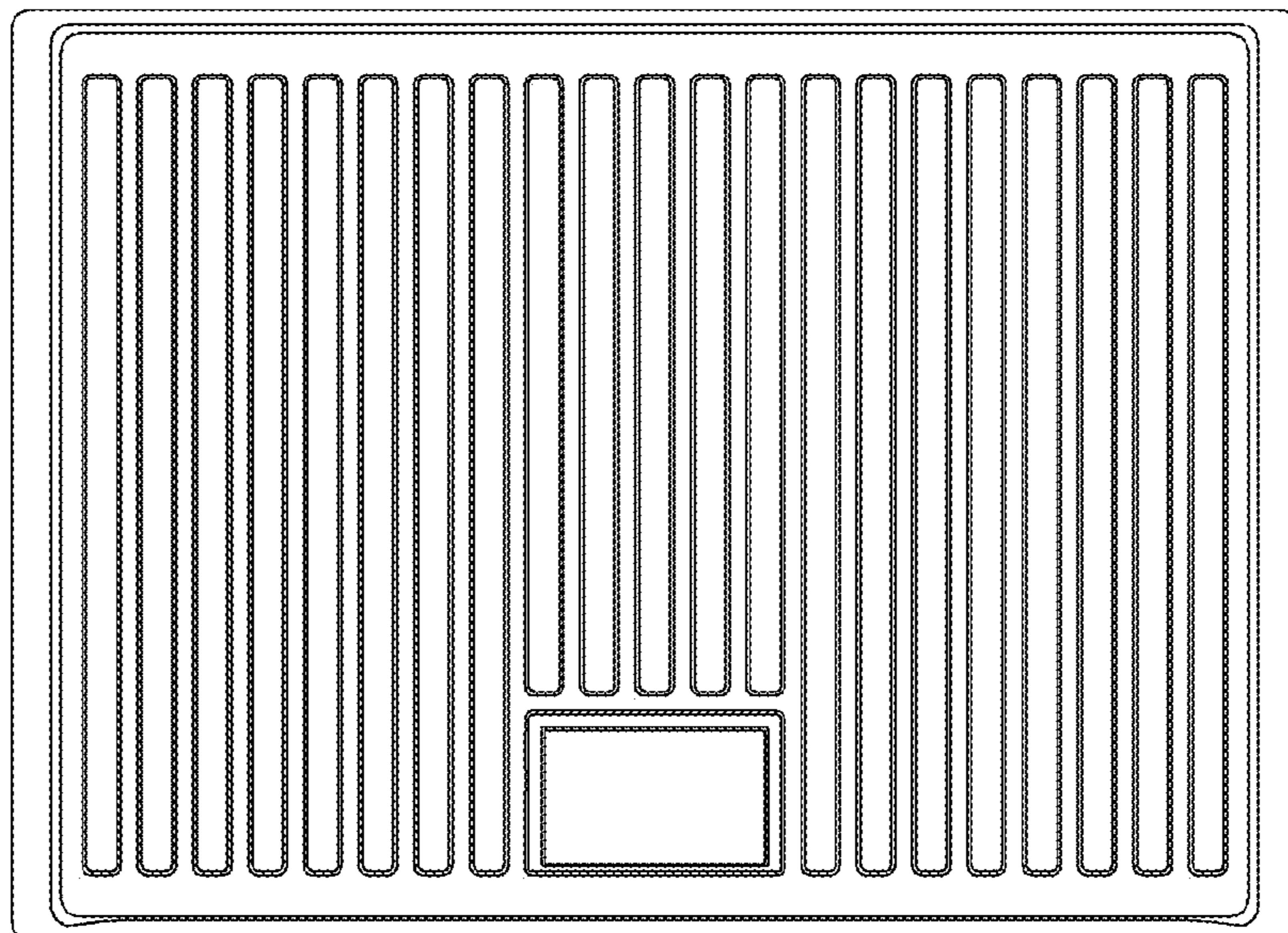


FIG. 7

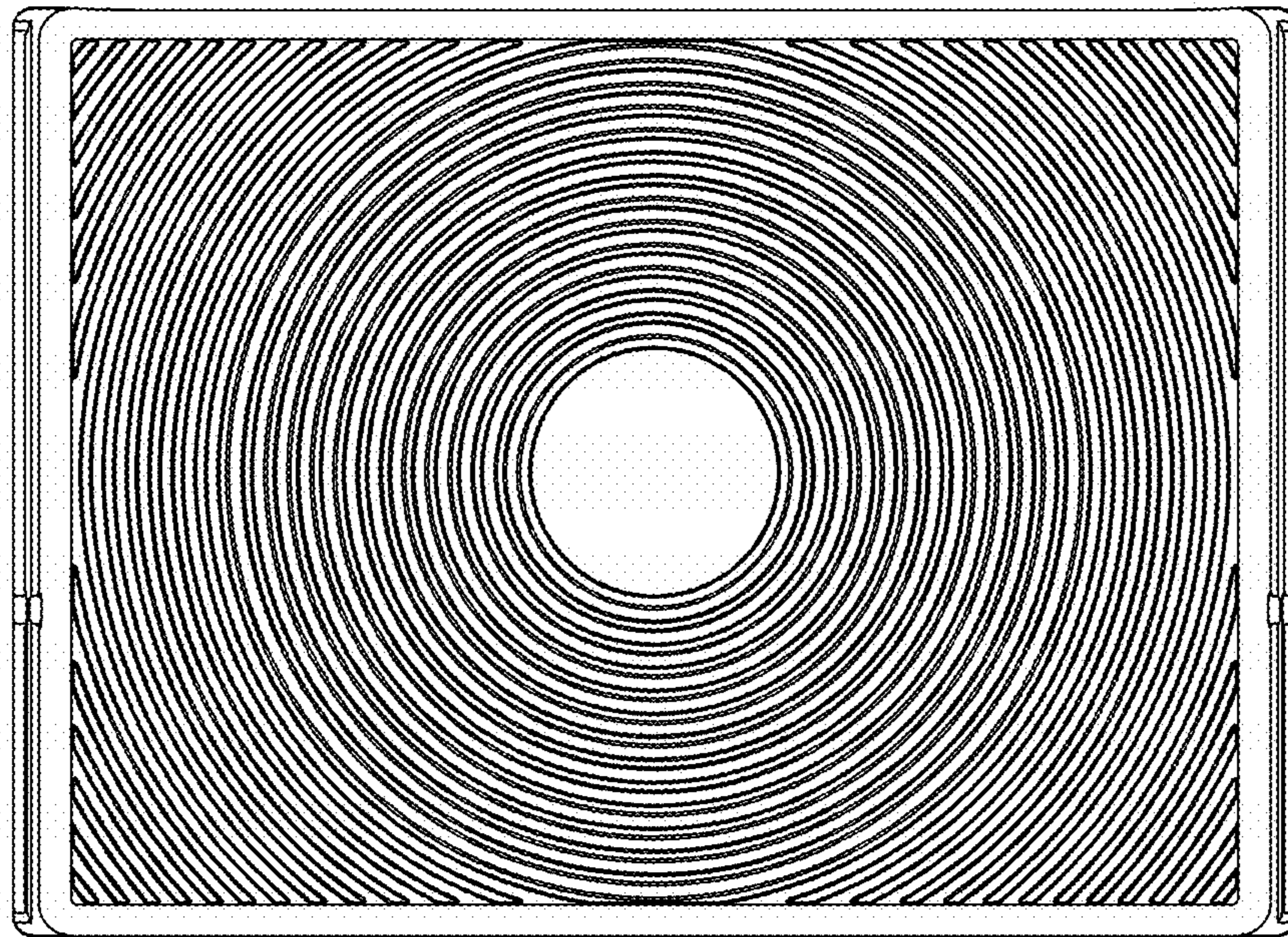


FIG. 8

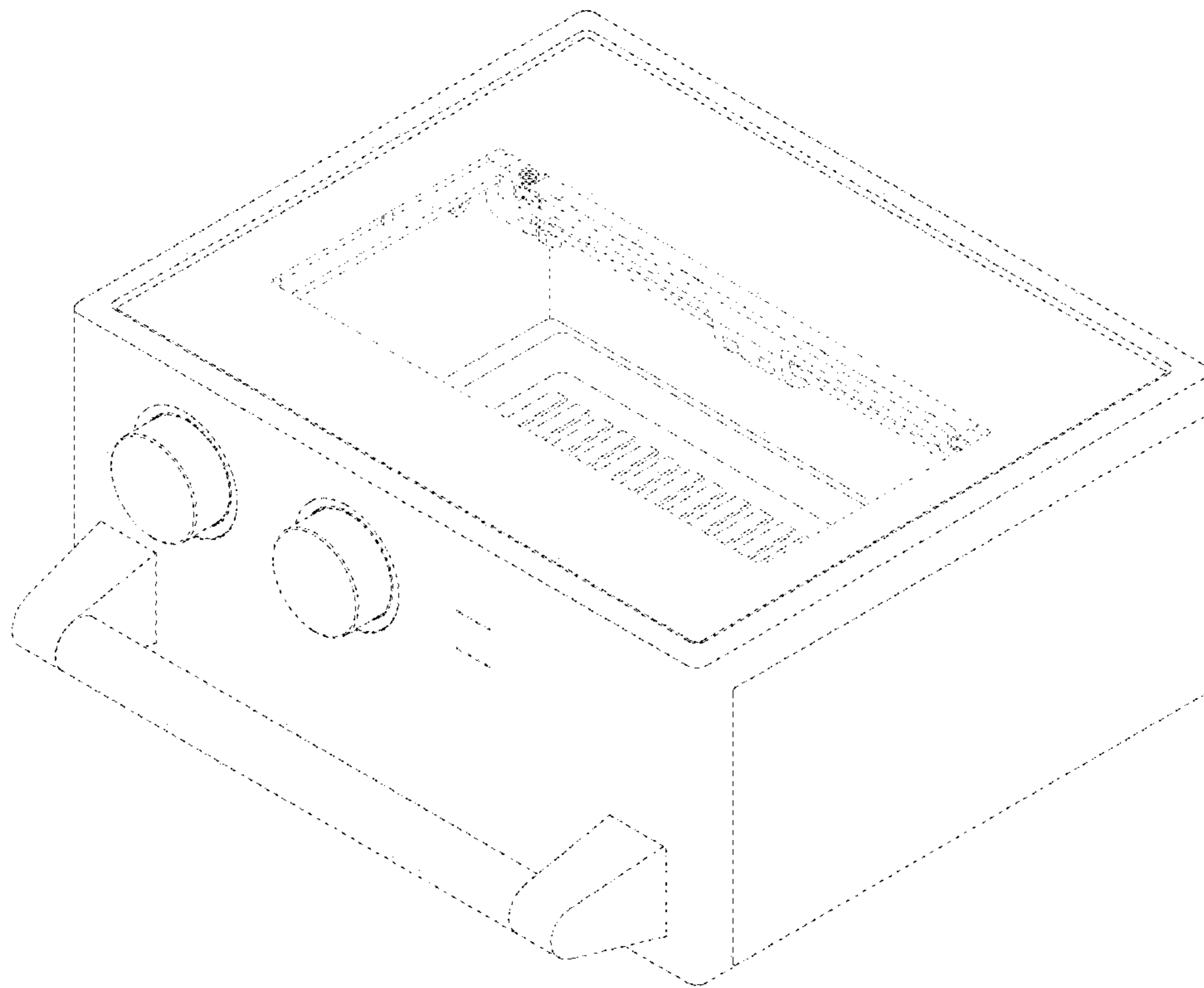


FIG. 9

